



US00D919698S

(12) **United States Design Patent** (10) **Patent No.:** **US D919,698 S**
Yang (45) **Date of Patent:** **** May 18, 2021**

(54) **STEEL TONGUE DRUM**

(71) Applicant: **Fei Yang**, Xingping (CN)

(72) Inventor: **Fei Yang**, Xingping (CN)

(**) Term: **15 Years**

(21) Appl. No.: **29/727,583**

(22) Filed: **Mar. 11, 2020**

(51) **LOC (13) Cl.** **17-04**

(52) **U.S. Cl.**

USPC **D17/22**

(58) **Field of Classification Search**

USPC D17/22, 99; D21/405

CPC G10D 13/00; G10D 13/01; G10D 13/02;

G10D 13/20; G10D 99/00

See application file for complete search history.

(56) **References Cited**

U.S. PATENT DOCUMENTS

D620,041 S * 7/2010 Doe G10D 13/08

D17/22

8,492,632 B1 * 7/2013 Doe G10D 13/08

84/406

D766,356 S * 9/2016 Rohner D17/22

D810,188 S * 2/2018 Beery D17/22

10,373,594 B1 * 8/2019 Doe G10D 13/08

D885,478 S * 5/2020 Chen D17/22

D897,420 S * 9/2020 Chen D17/22

2015/0364121 A1 * 12/2015 Gungor G10D 13/16

84/411 R

2016/0253984 A1 * 9/2016 Zamarripa G10G 5/00

248/305

OTHER PUBLICATIONS

WestMusic. <https://www.westmusic.com/drums-percussion/world-drums-percussion/tongue-drums/nataraj-ld9901-08-8-steel-tongue-drum-w-bag-205395>. "Nataraj LD9901-08 8" Steel Tongue Drum". Date unknown: Viewed Feb. 2021 (Year: 2021).*

* cited by examiner

Primary Examiner — R. Johnson

(57) **CLAIM**

The ornamental design for a steel tongue drum, as shown and described.

DESCRIPTION

FIG. 1 is a perspective view of a steel tongue drum showing my new design;

FIG. 2 is another perspective view thereof;

FIG. 3 is a front elevational view thereof;

FIG. 4 is a rear elevational view thereof;

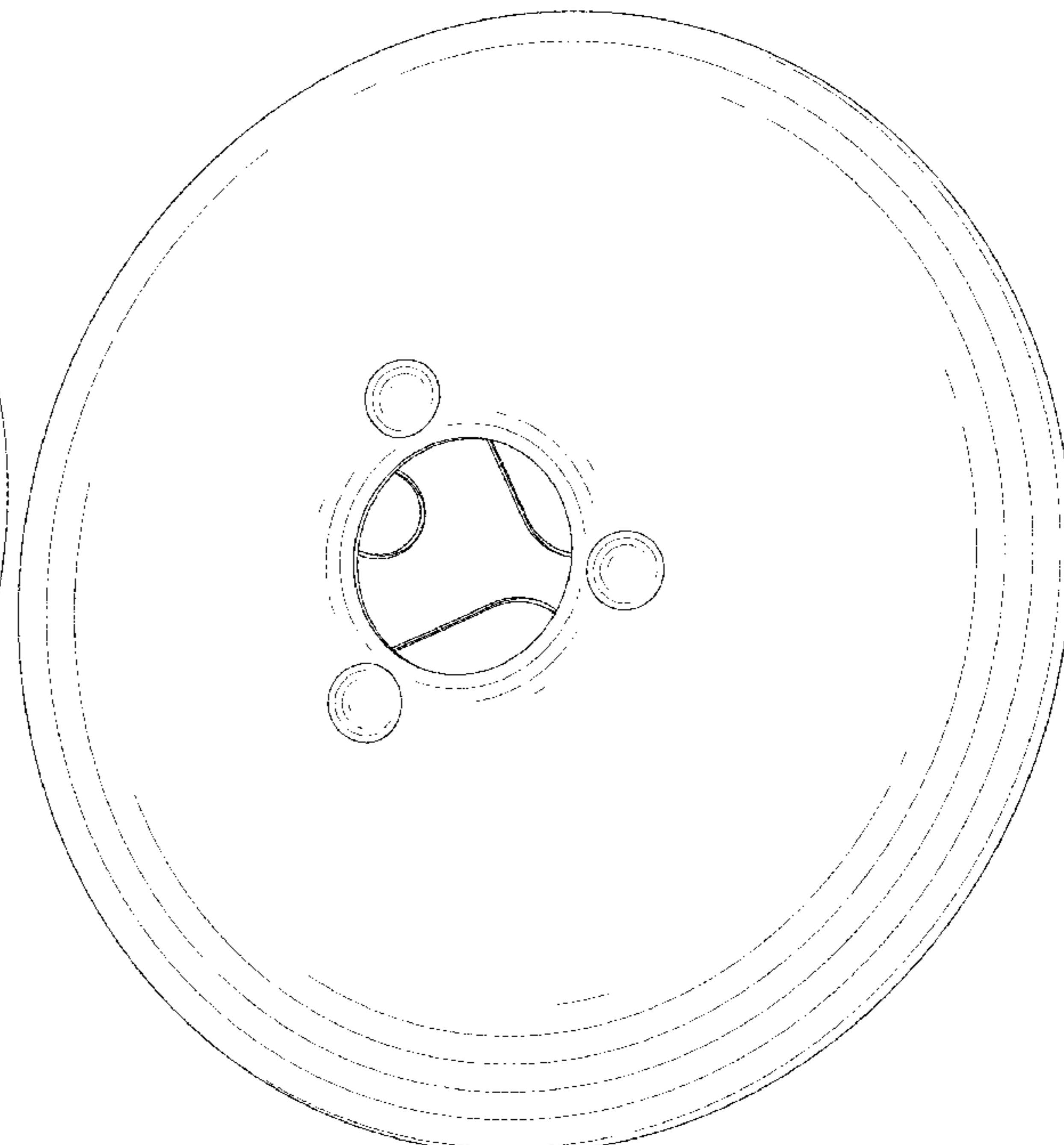
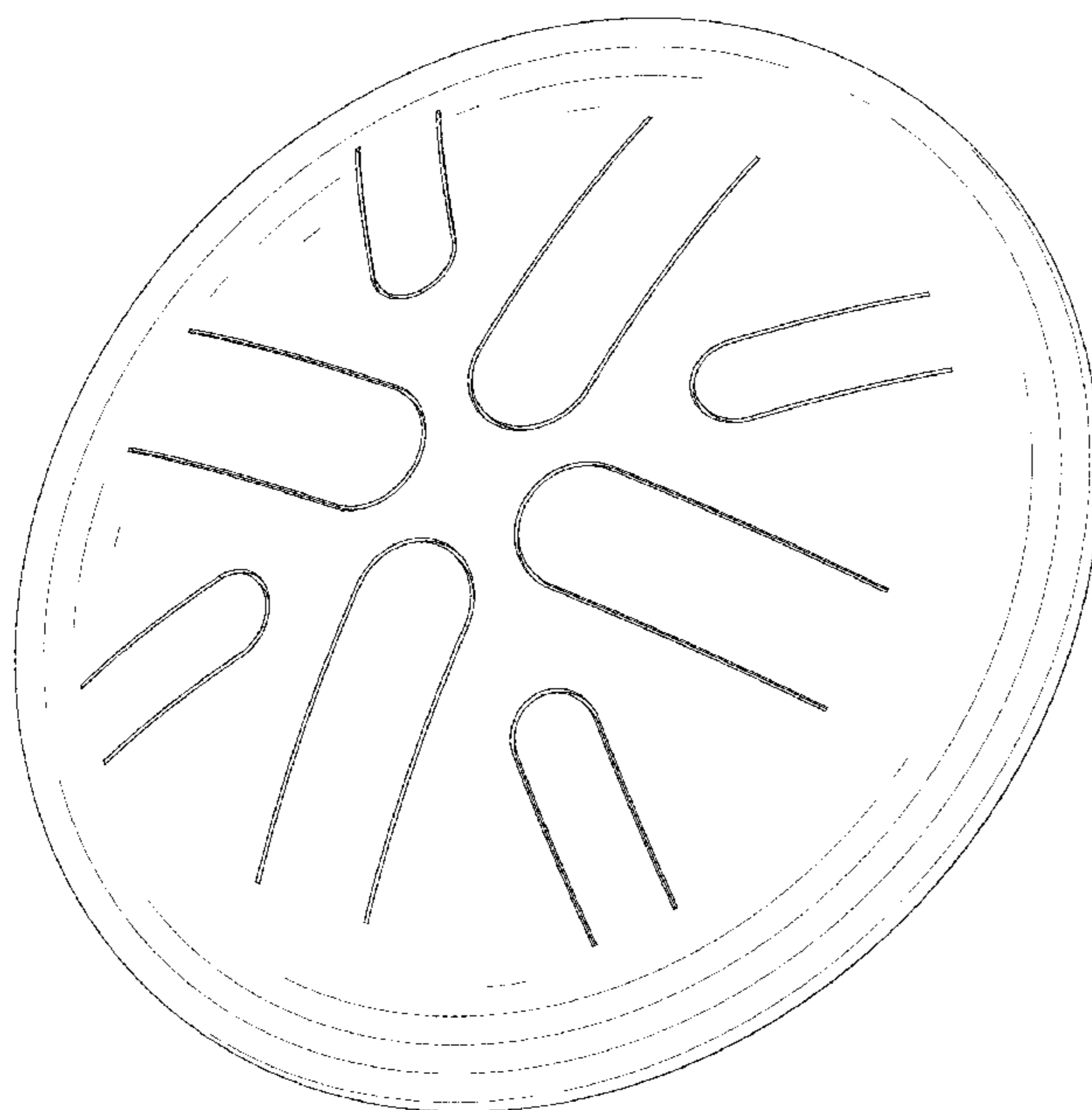
FIG. 5 is a left side elevational view thereof;

FIG. 6 is a right side elevational view thereof;

FIG. 7 is a top plan view thereof; and,

FIG. 8 is a bottom plan view thereof.

1 Claim, 8 Drawing Sheets



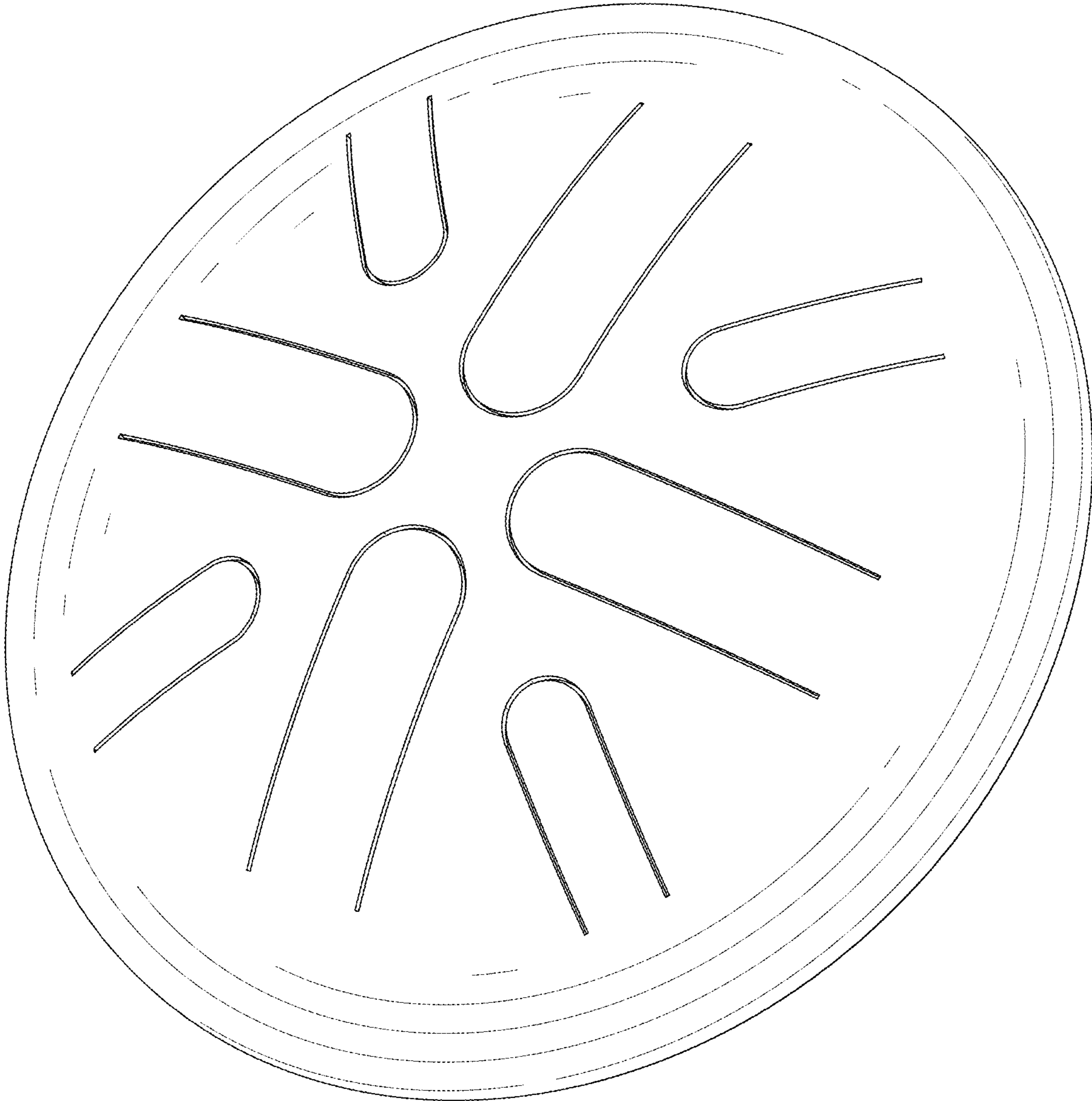


FIG. 1

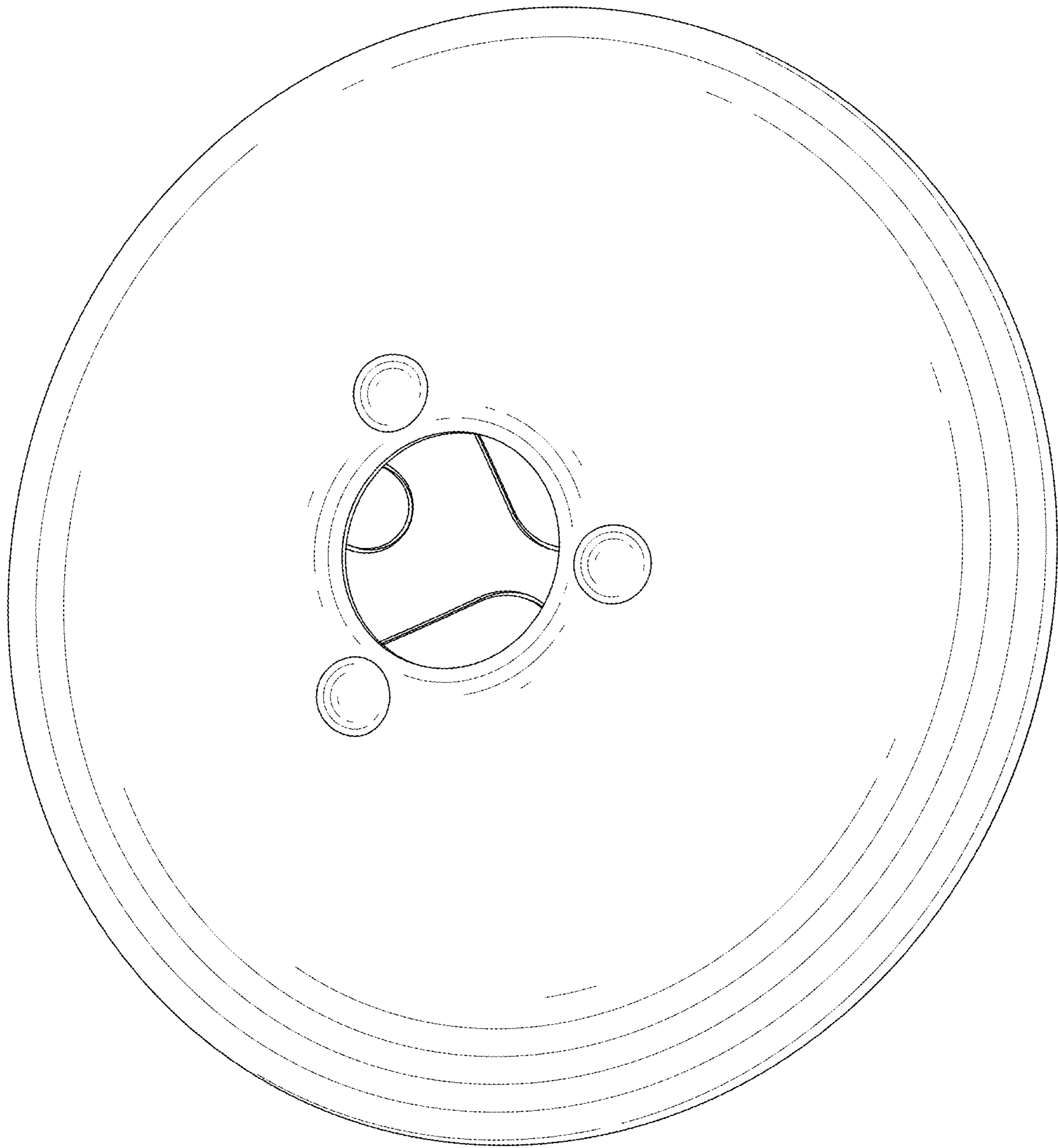


FIG. 2

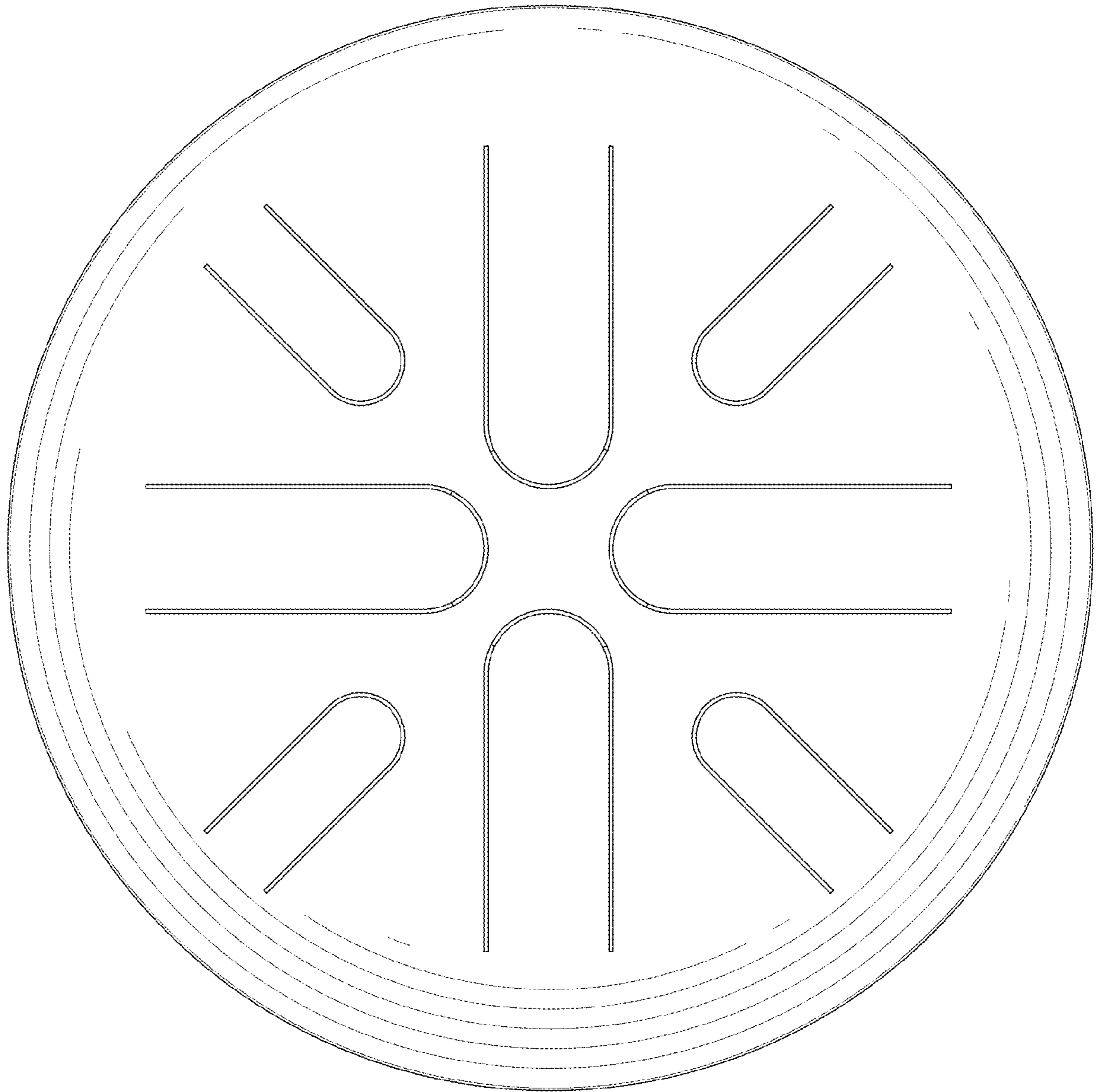


FIG. 3

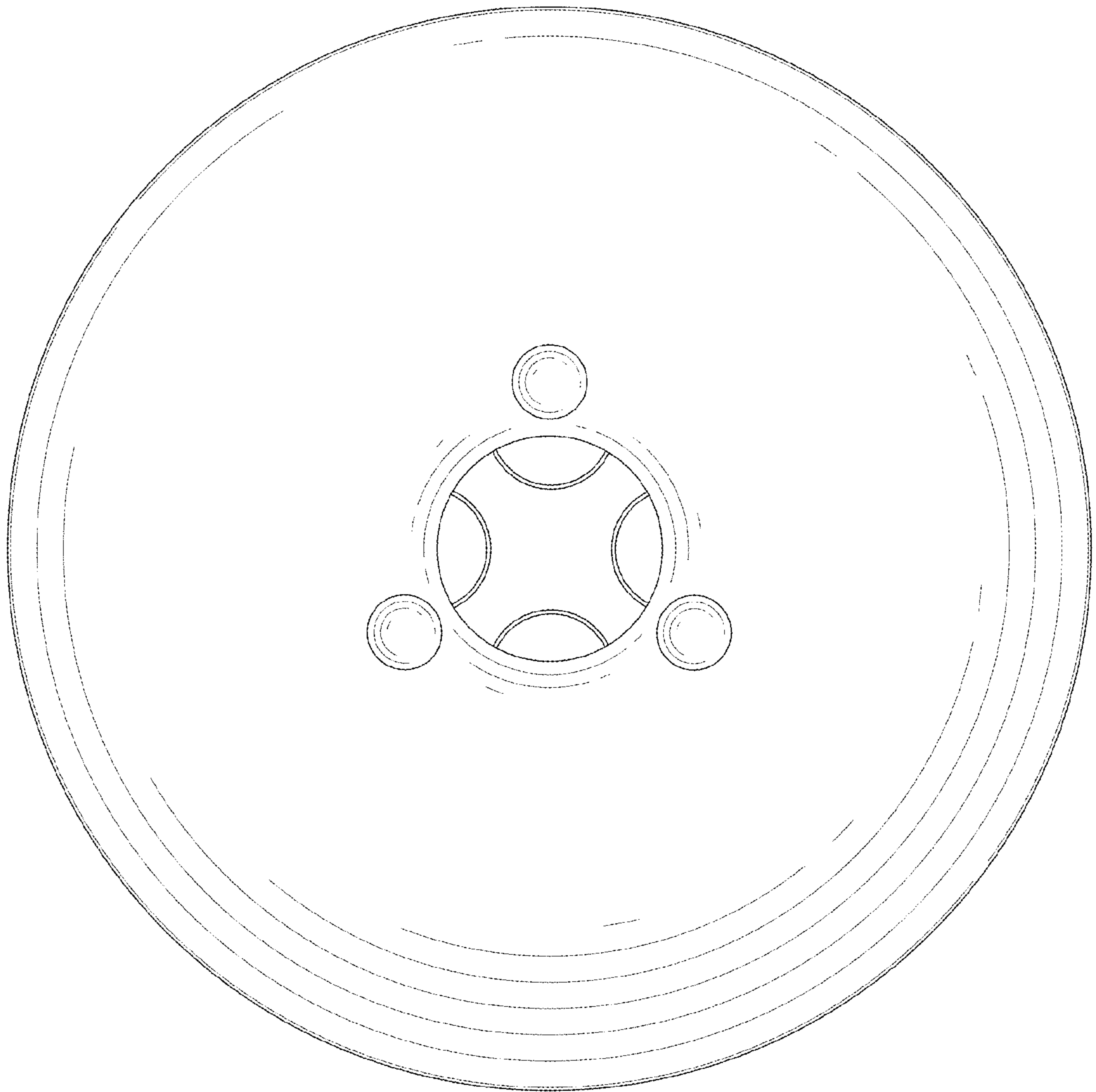


FIG. 4

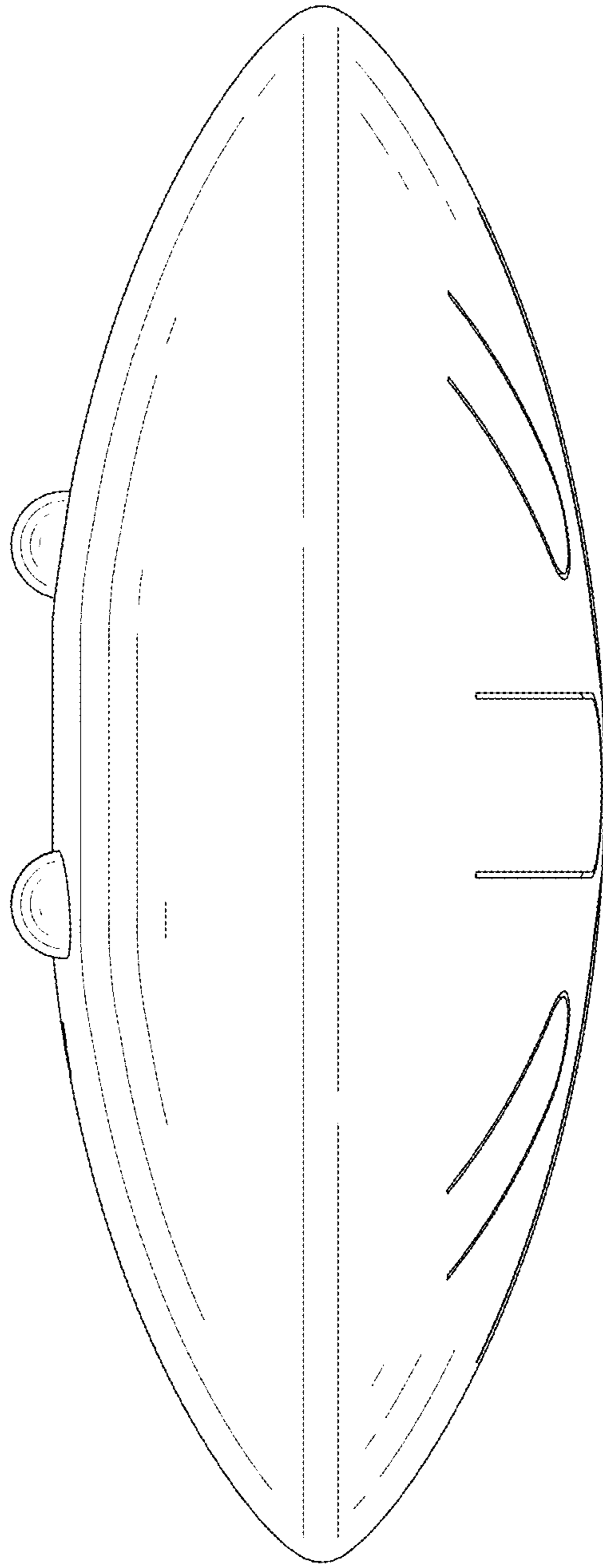


FIG. 5

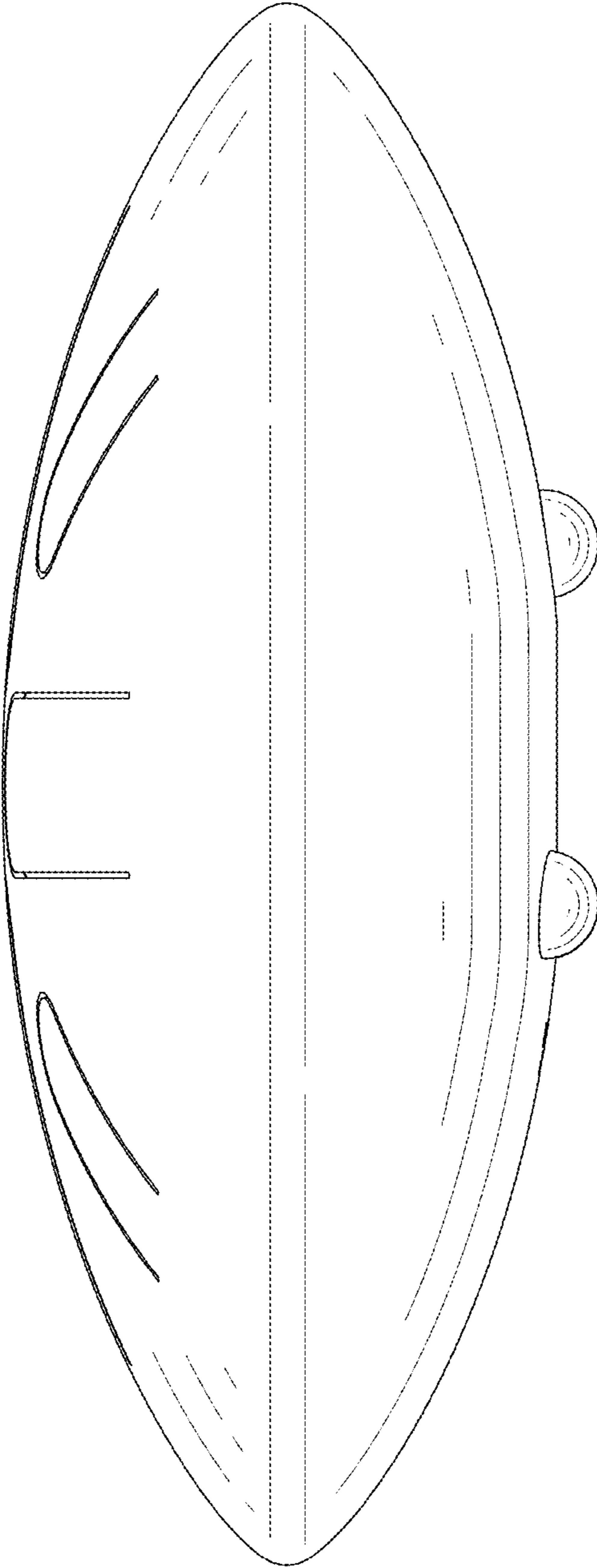


FIG. 6

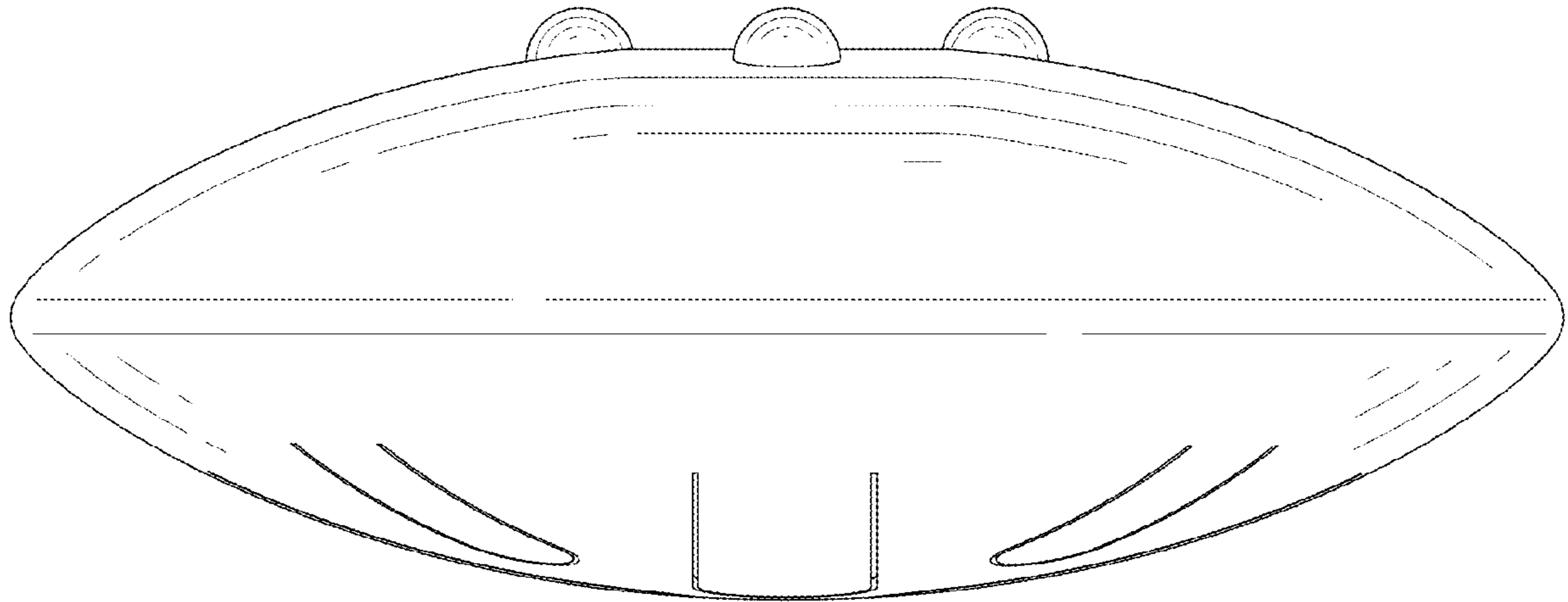


FIG. 7

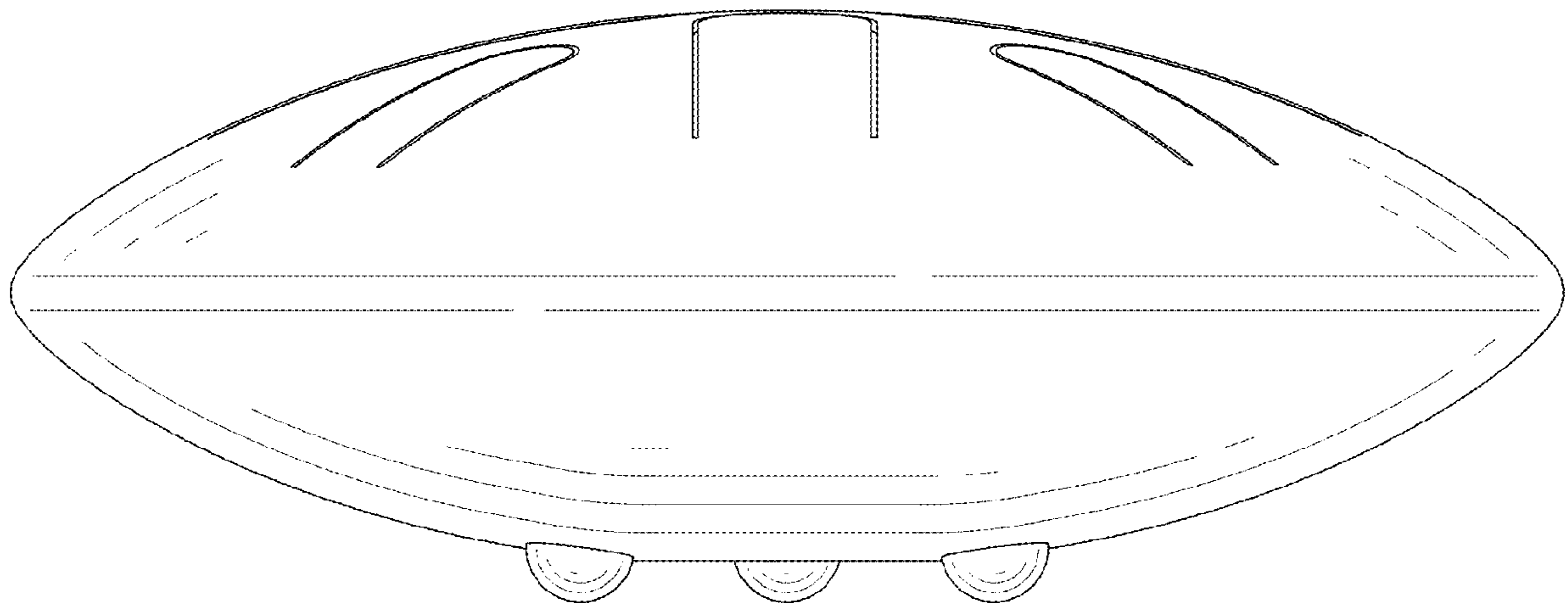


FIG. 8