



US00D919697S

(12) **United States Design Patent**
Lin

(10) **Patent No.:** **US D919,697 S**
(45) **Date of Patent:** **** May 18, 2021**

(54) **SWIMMING GOGGLE**
(71) Applicant: **HuaJin Lin**, Fujian Province (CN)
(72) Inventor: **HuaJin Lin**, Fujian Province (CN)
(**) Term: **15 Years**
(21) Appl. No.: **29/730,057**
(22) Filed: **Apr. 1, 2020**
(51) **LOC (13) Cl.** **16-06**
(52) **U.S. Cl.**
USPC **D16/312**
(58) **Field of Classification Search**
USPC 2/426–432, 435, 436, 437, 438, 439,
2/440–454; 351/43, 44–47, 49, 59, 63,
351/69, 104, 123, 126, 131, 132, 135,
351/145; D16/101, 300–342;
D29/108–110; D21/695–661; D14/372
CPC A63B 33/00; A63B 33/002; A61M
2021/0044; G01C 5/16; G02C 1/06;
G02C 5/146; G02C 5/2254; G02C 5/008;
G02C 5/14; G02C 5/16; G02C 11/02;
G02C 11/04; G02C 2200/08; G02C
2200/22
See application file for complete search history.

5,564,132 A * 10/1996 Kuo B63C 11/12
2/430
5,642,529 A * 7/1997 Fujima B63C 11/12
2/428
5,657,493 A * 8/1997 Ferrero A44B 11/266
2/428
D391,284 S * 2/1998 Hermansen D16/312
5,764,334 A * 6/1998 Berke A63B 33/002
2/447
D417,684 S * 12/1999 Nomann D16/312
D436,366 S * 1/2001 Godoy
D450,833 S * 11/2001 Olivieri D16/311
6,350,030 B2 * 2/2002 Fujima A61F 9/027
2/426

(Continued)

OTHER PUBLICATIONS

SwimStar Snorkel on Amazon.com, reviewed May 26, 19, [site visited Sep. 13, 20], Available from Internet, <URL:https://www.amazon.com/gp/customer-reviews/R2M1KVI8I8VBQ8/ref=cm_cr_getr_d_rvw_ttl?ie=UTF8&ASIN=B07R17X7BG> (Year: 2019).*

(Continued)

Primary Examiner — Sanjeev Paul

(57) **CLAIM**

The ornamental design for a swimming goggle, as shown and described.

DESCRIPTION

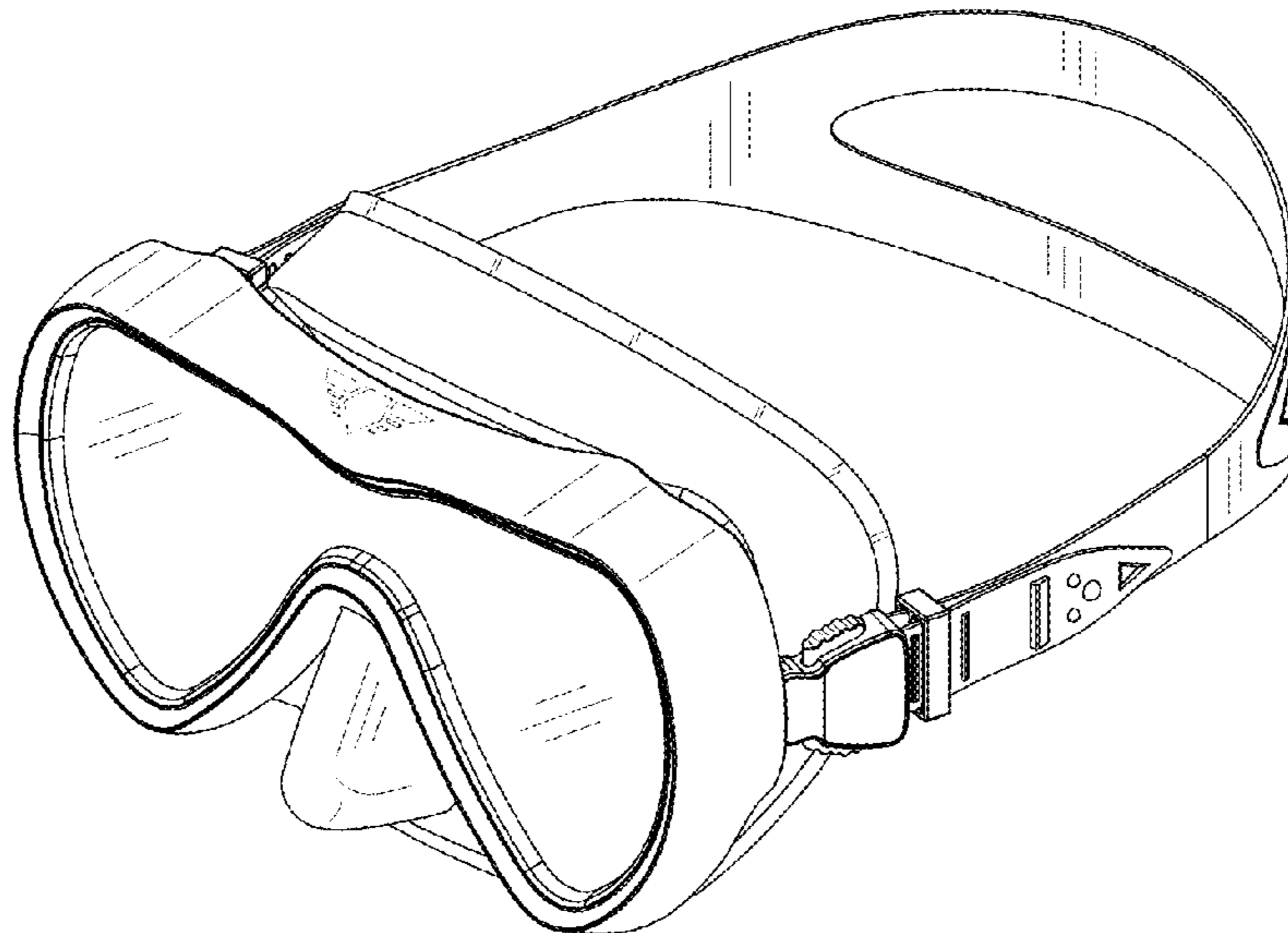
FIG. 1 is a perspective view of a swimming goggle showing my new design;
FIG. 2 is a front elevational view thereof;
FIG. 3 is a rear elevational view thereof;
FIG. 4 is a left side elevational view thereof;
FIG. 5 is a right side elevational view thereof;
FIG. 6 is a top plan view thereof; and,
FIG. 7 is a bottom plan view thereof.
The broken lines in the drawings depict portions of the swimming goggle that form no part of the claimed design.

1 Claim, 7 Drawing Sheets

(56) **References Cited**

U.S. PATENT DOCUMENTS

D342,810 S * 12/1993 Berenson D16/312
D343,029 S * 1/1994 Berenson D16/311
D352,950 S * 11/1994 Rasocha D16/303
D367,875 S * 3/1996 Lutz D16/311
D368,107 S * 3/1996 Lutz D16/311
5,502,515 A * 3/1996 Sansalone B63C 11/12
2/248
D371,566 S * 7/1996 Kolada D16/311
D371,841 S * 7/1996 Oliver 2/440
5,564,130 A * 10/1996 Feng B63C 11/12
128/207.12



(56)

References Cited

U.S. PATENT DOCUMENTS

7,078,653 B2 * 7/2006 Hsieh B63C 11/12
2/428
7,134,149 B2 * 11/2006 Sato B63C 11/12
2/431
7,181,778 B1 * 2/2007 Garraffa A61F 9/025
2/426
D550,749 S 9/2007 Chiang
D588,259 S * 3/2009 Shiue D16/311
D588,260 S * 3/2009 Shiue D16/311
D620,968 S * 8/2010 Shiue D16/311
D643,458 S * 8/2011 Garraffa D16/312
D651,639 S * 1/2012 Godoy D16/311
D670,323 S * 11/2012 Garraffa D16/311
D681,101 S * 4/2013 Reid D16/339
D685,020 S * 6/2013 O'Doherty D16/311
8,845,093 B1 * 9/2014 Shieh B63C 11/12
351/43
D717,859 S 11/2014 Chiang
D736,302 S 8/2015 Yu
D785,076 S * 4/2017 Kuo D16/311
D841,079 S 2/2019 Harpages
D898,811 S * 10/2020 Wang D16/311
2001/0012091 A1 * 8/2001 Fujima B63C 11/12
351/43
2001/0014982 A1 * 8/2001 Kawashima B63C 11/12
2/428
2003/0033661 A1 * 2/2003 Huh A61F 9/028
2/436
2003/0084500 A1 * 5/2003 Testa B63C 11/12
2/431
2003/0172445 A1 * 9/2003 Kawashima B63C 11/12
2/452
2003/0208835 A1 * 11/2003 Pan B63C 11/12
2/428
2004/0073988 A1 * 4/2004 Chen-Lieh B63C 11/12
2/428
2004/0078874 A1 * 4/2004 Sato B63C 11/12
2/431
2005/0034224 A1 * 2/2005 Shiue B63C 11/12
2/428
2005/0071911 A1 * 4/2005 Hsieh B63C 11/12
2/428
2005/0275797 A1 * 12/2005 Feng A63B 33/002
351/43
2006/0048287 A1 * 3/2006 Kuo B63C 11/12
2/426
2006/0107446 A1 * 5/2006 Shiue A63B 33/002
2/428
2006/0117468 A1 * 6/2006 Lan B63C 11/12
2/426
2006/0117469 A1 * 6/2006 Garofalo B63C 11/12
2/428

2006/0162055 A1 * 7/2006 Kuroda B63C 11/12
2/428
2006/0162056 A1 * 7/2006 Sato B63C 11/12
2/452
2006/0221298 A1 * 10/2006 Matsumoto B63C 11/12
351/43
2006/0227284 A1 * 10/2006 Feng G02C 1/00
351/43
2007/0000034 A1 * 1/2007 Lin B63C 11/12
2/448
2009/0165191 A1 * 7/2009 Kuroda A63B 33/00
2/428
2010/0077537 A1 * 4/2010 Lan B29C 45/1671
2/428
2012/0284907 A1 * 11/2012 Shiue B63C 11/12
2/431
2013/0055489 A1 * 3/2013 Shiue B63C 11/12
2/428
2013/0111655 A1 * 5/2013 Kuroda B63C 11/12
2/431
2014/0013494 A1 * 1/2014 Godoy B63C 11/12
2/428
2014/0250574 A1 * 9/2014 Shiue A63B 33/002
2/452
2015/0128385 A1 * 5/2015 Kuo A61F 9/027
24/193
2015/0238821 A1 * 8/2015 Gallo A63B 33/002
2/431
2016/0120701 A1 * 5/2016 Fujimoto B63C 11/12
2/431
2019/0358496 A1 * 11/2019 Shiue A63B 33/002

OTHER PUBLICATIONS

Google search: "swimming goggles" [site visited Sep. 13, 2020]:
https://www.google.com/search?q=swimming+goggles&hl=en&sxsrf=ALeKk007bGAizE0pVUjpi4xu4pXNw6innA:1600026091981&source=lnms&tbm=isch&sa=X&ved=2ahUKEwjy9_W8ebrAhVVIXIEHQgzB-UQ_AUoAnoECB4QBA&biw=1200&bih=1777 (Year: 2020).*

Google search: "Snorkel Mask" [site visited Sep. 13, 2020]: https://www.google.com/search?q=snorkel+mask&hl=en&sxsrf=ALeKk03relAGNdeTVPdCaUdHV9FZ6huy_Q:1600025906732&source=lnms&tbm=isch&sa=X&ved=2ahUKEwjxhLX-8ObrAhVKhHIEHd-7BHcQ_AUoAnoECBwQBA&biw=1200&bih=1777 (Year: 2020).*

Google search: "Snorkel Goggles" [site visited Sep. 13, 2020]: https://www.google.com/search?q=snorkel+goggles&hl=en&sxsrf=ALeKk00iqmrhSp6g5wfa7VQ4_VXmO9DOqQ:1600026166726&source=lnms&tbm=isch&sa=X&ved=2ahUKEwjo47H68ebrAhVul3IEHR6tDOIQ_AUoAnoECBgQBA&biw=1200&bih=1777 (Year: 2020).*

* cited by examiner

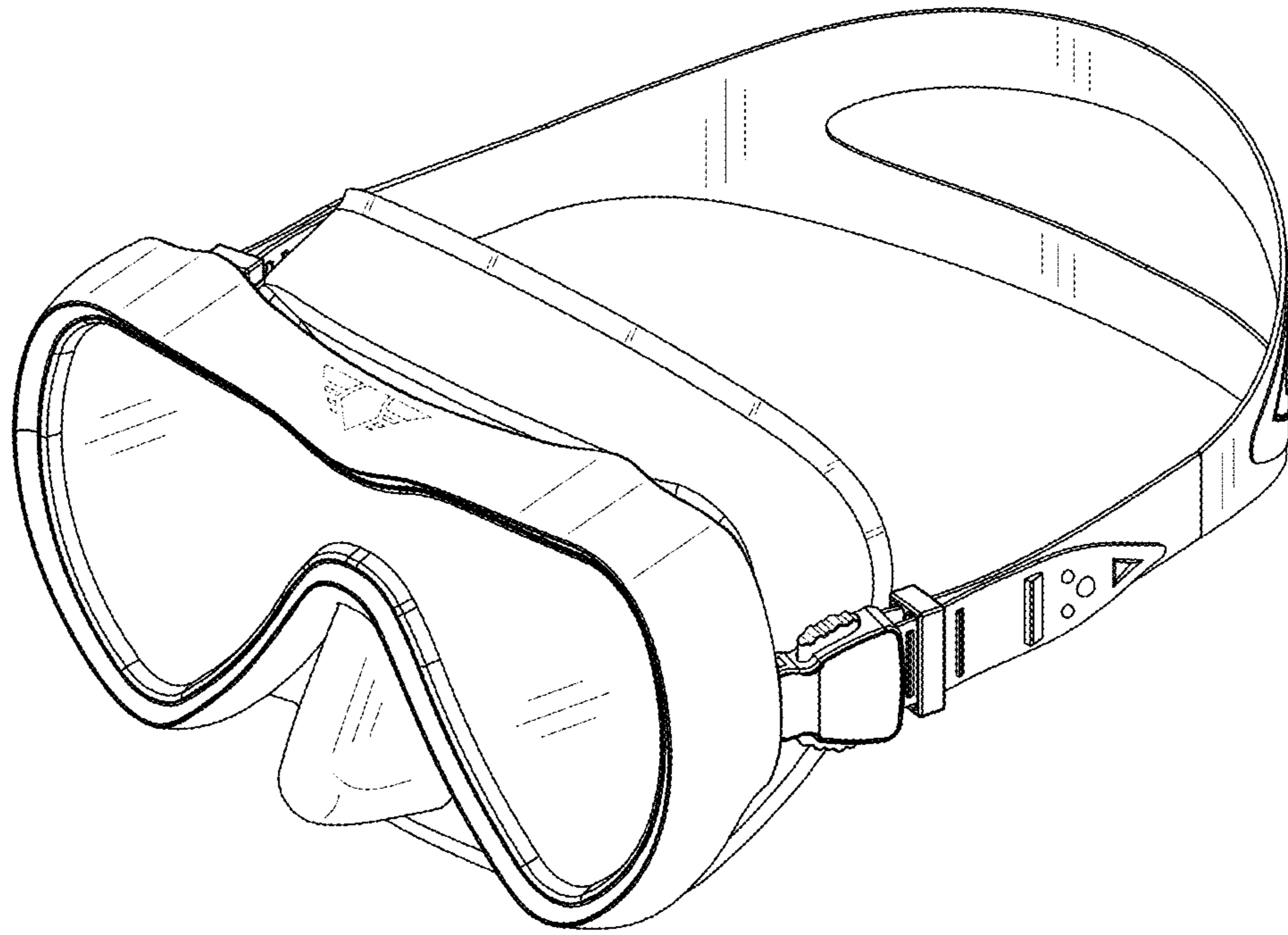


FIG. 1

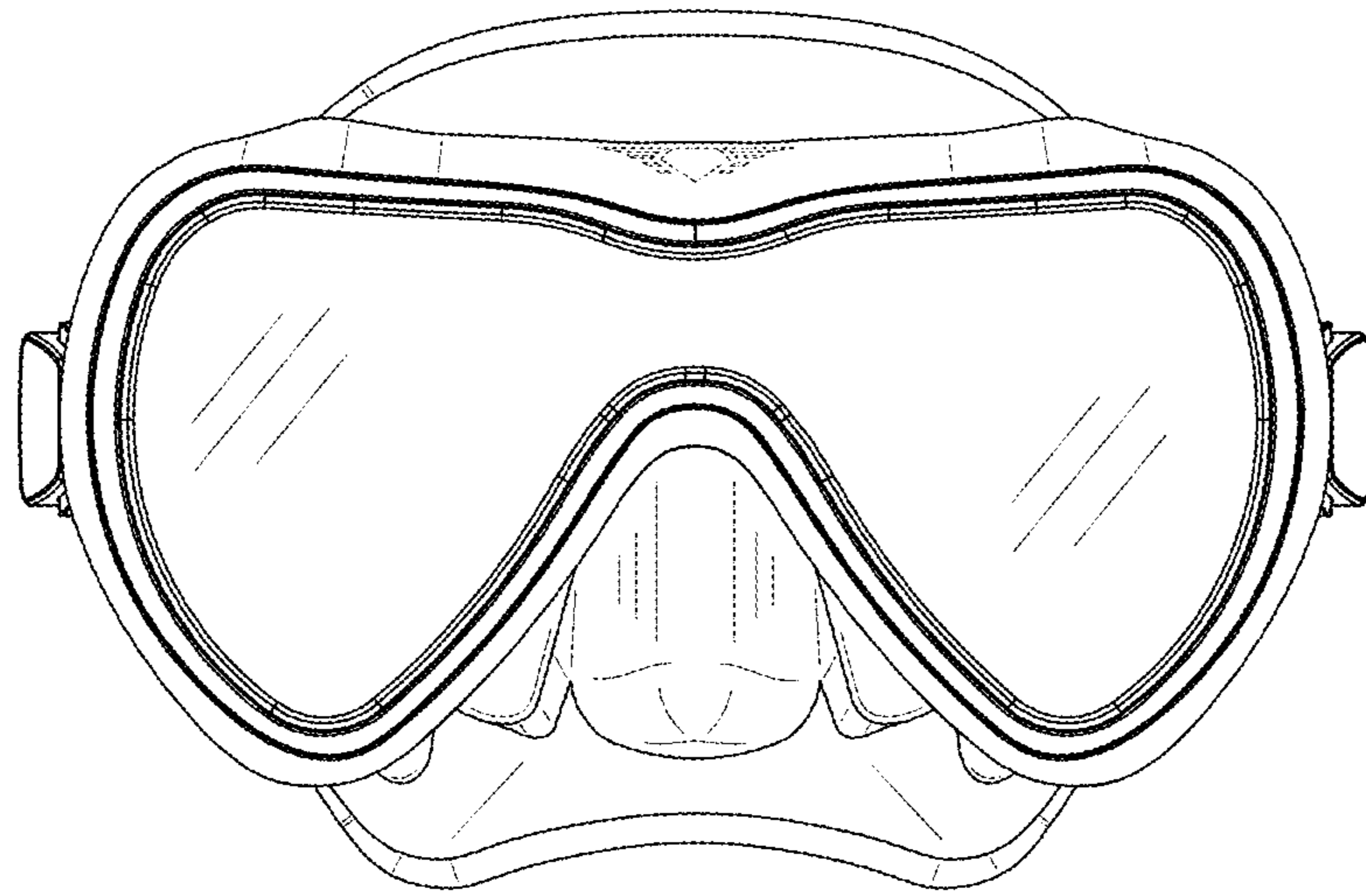


FIG. 2

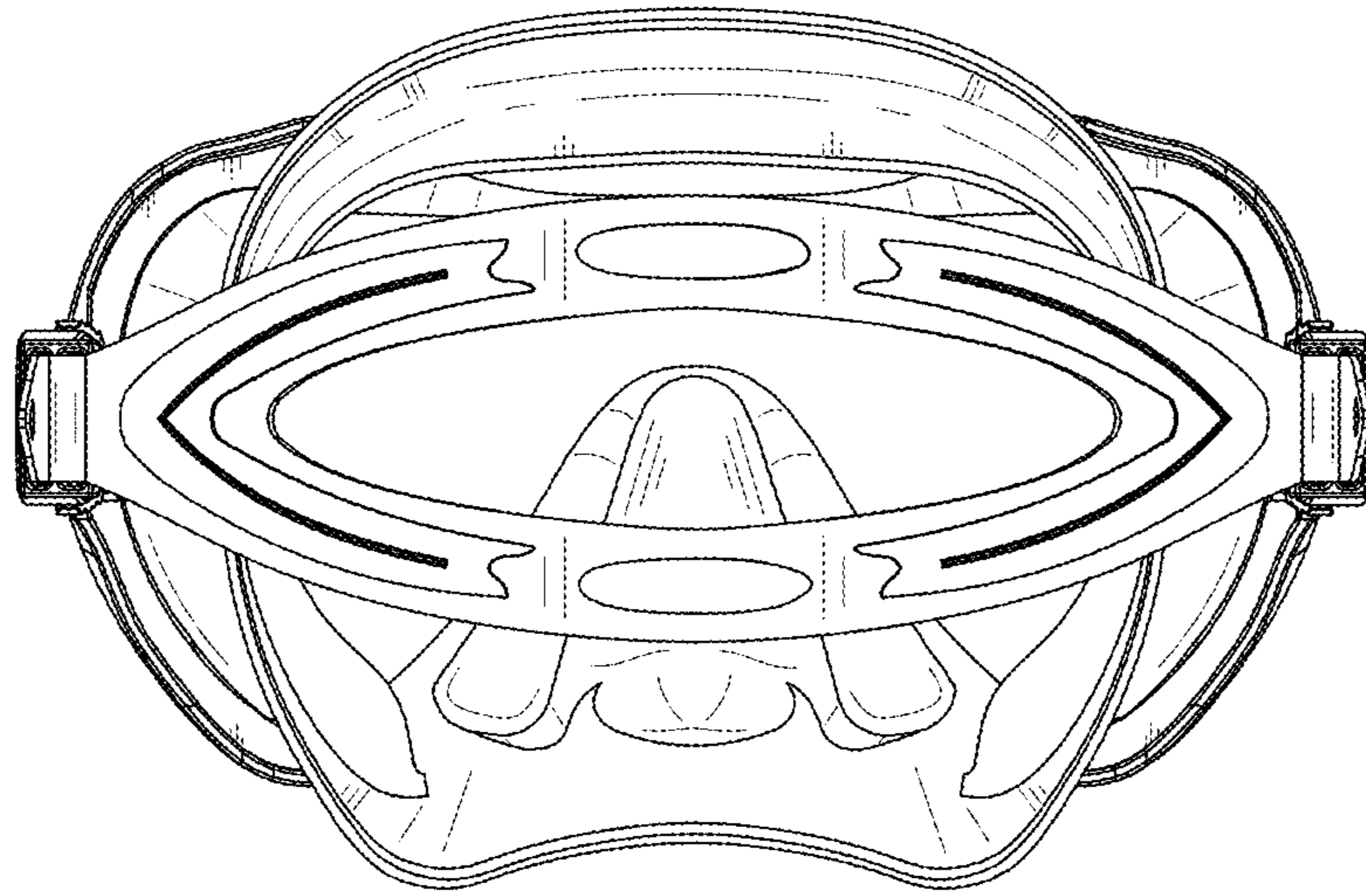


FIG. 3

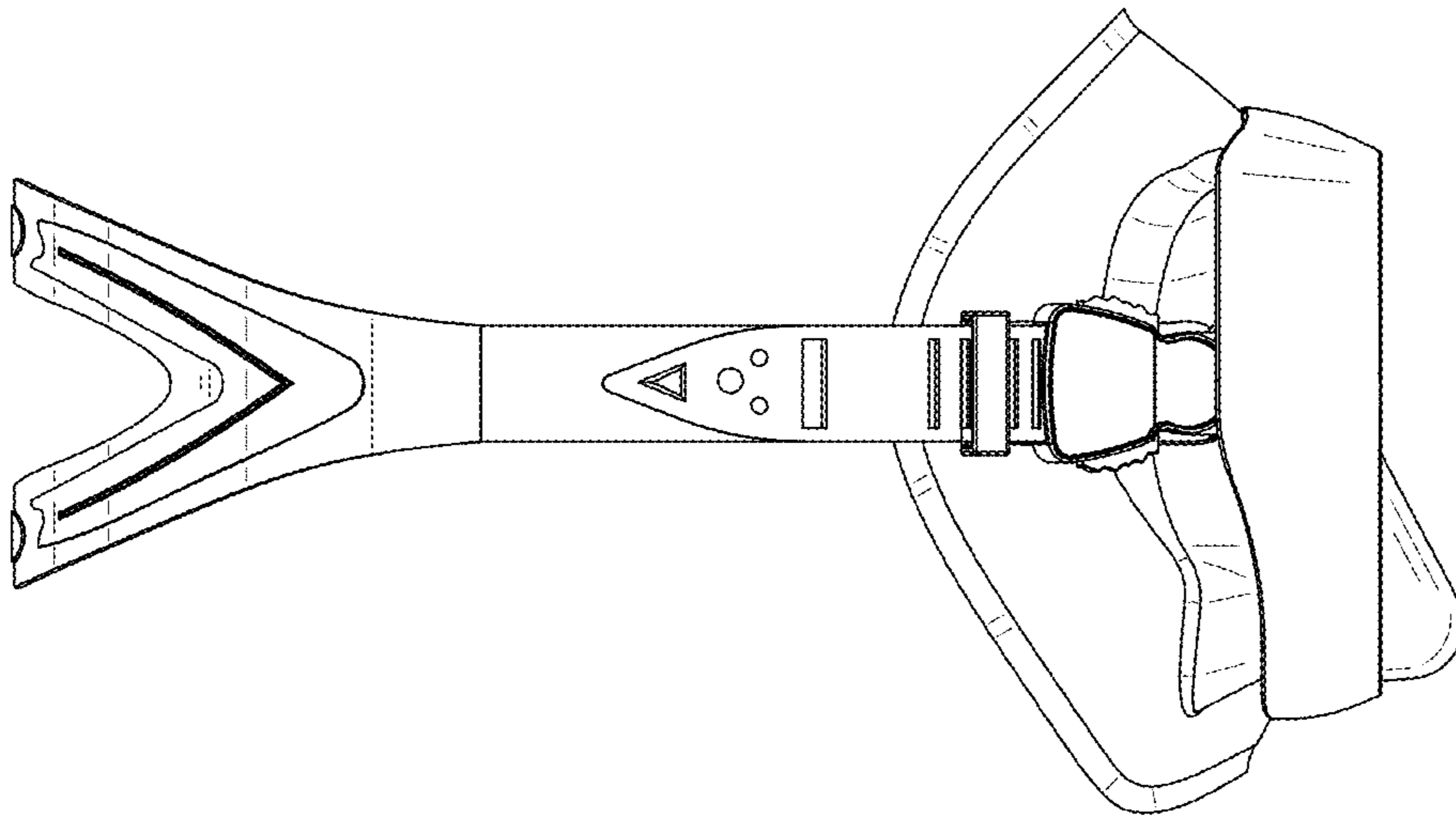


FIG. 4

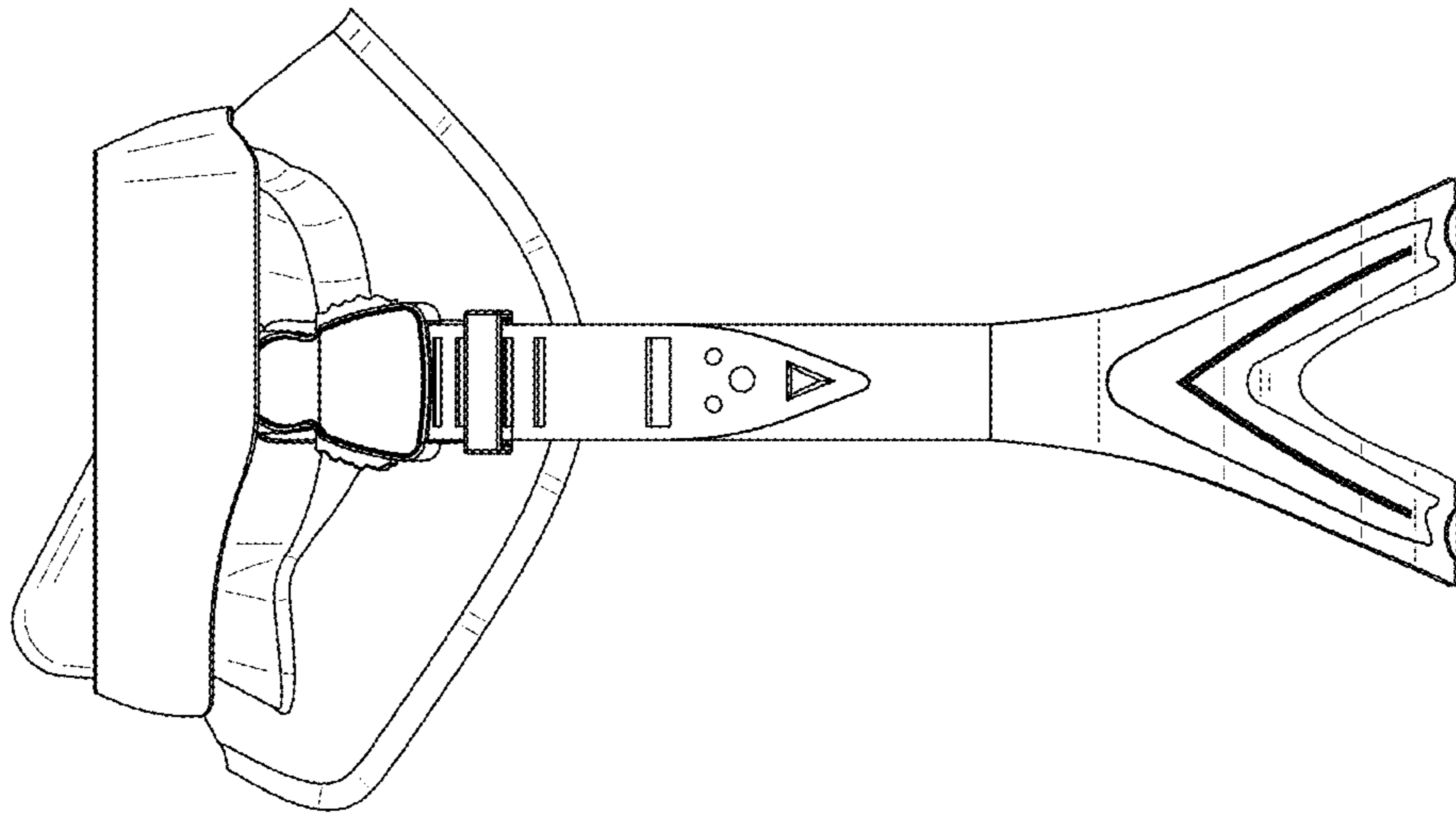


FIG. 5

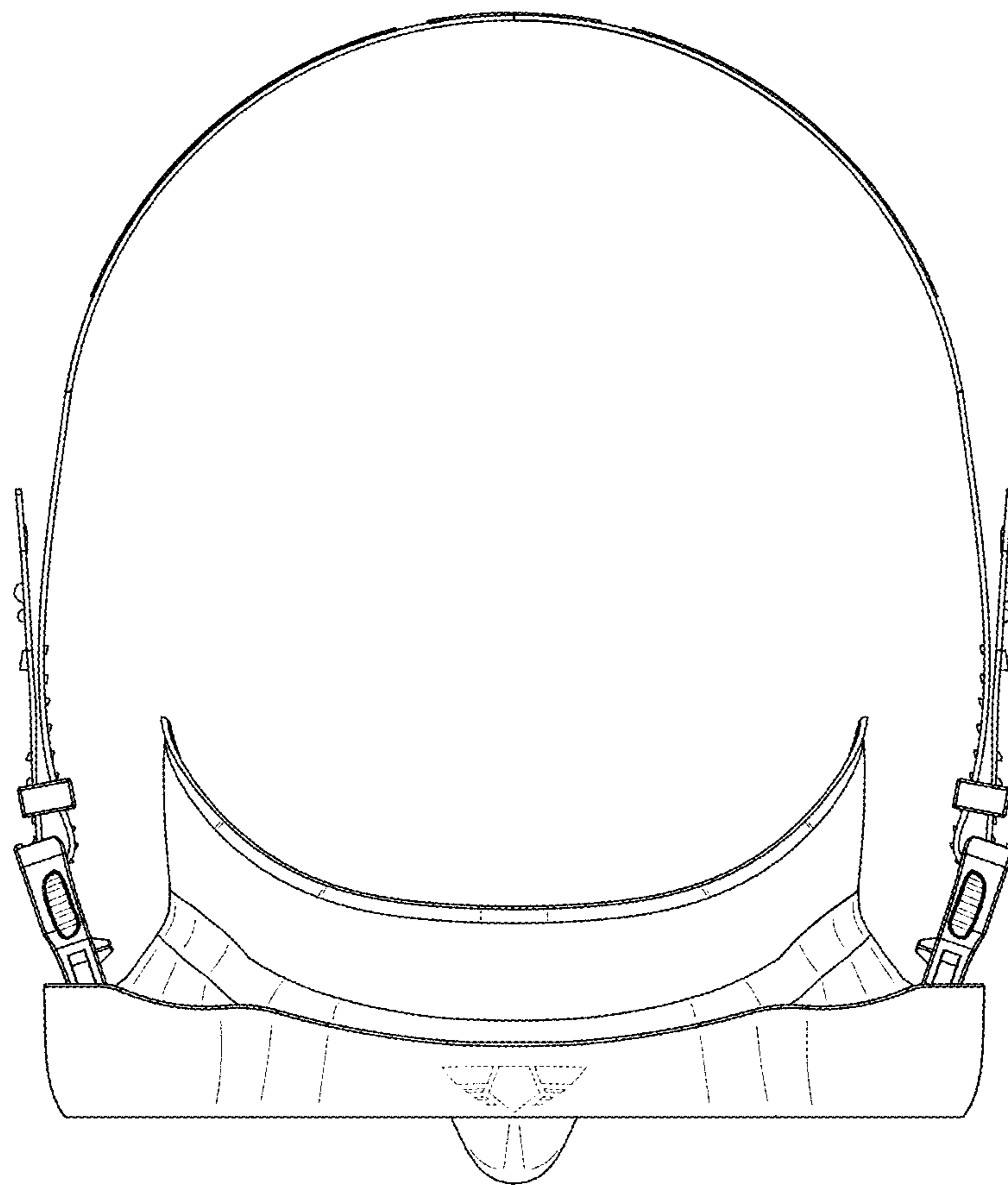


FIG. 6

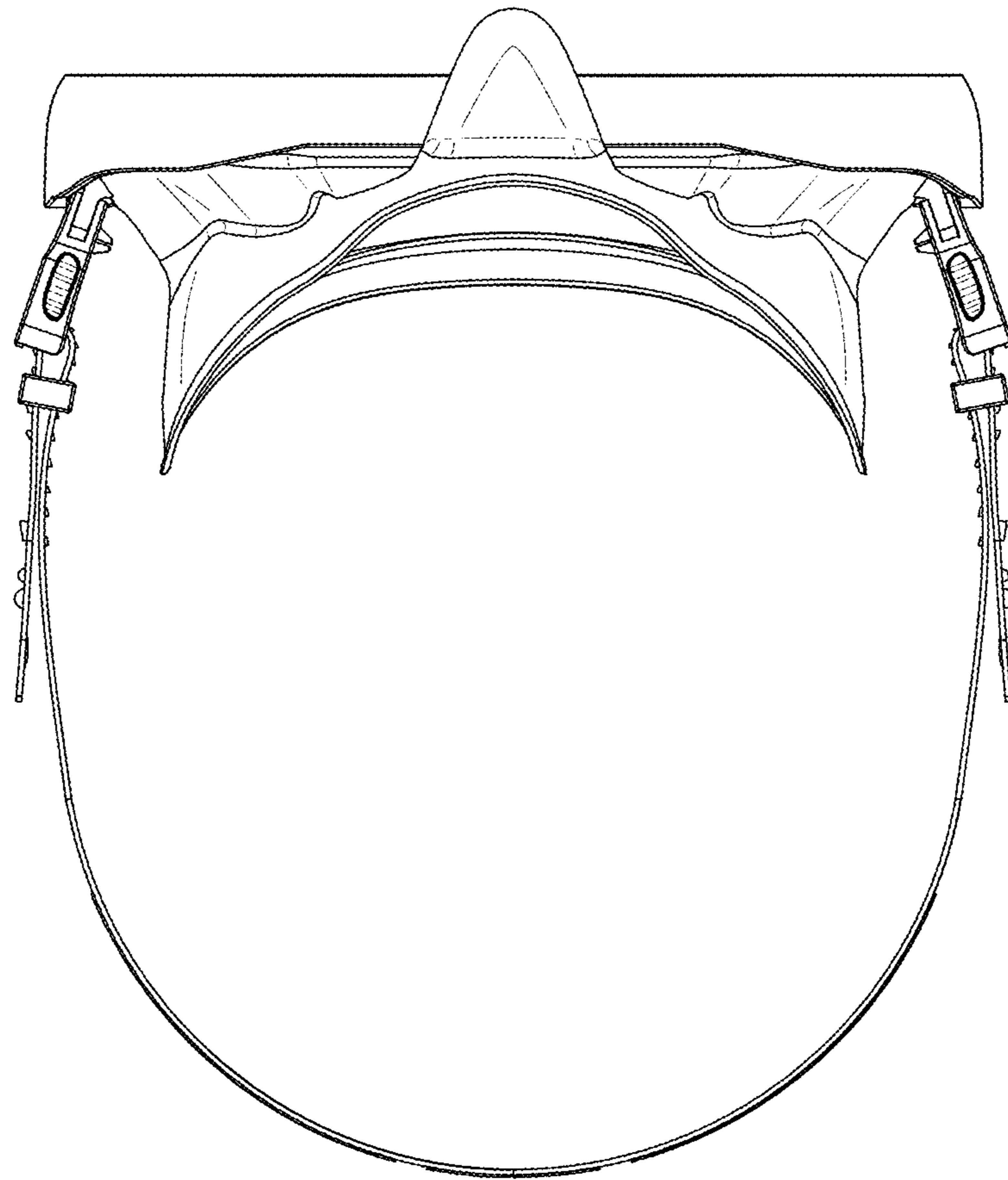


FIG. 7