



US00D919695S

(12) **United States Design Patent** (10) **Patent No.:** **US D919,695 S**
Zhang (45) **Date of Patent:** **** May 18, 2021**

(54) **SKI GOGGLE**
(71) Applicant: **Aiping Zhang**, Jiangxi (CN)
(72) Inventor: **Aiping Zhang**, Jiangxi (CN)
(**) Term: **15 Years**
(21) Appl. No.: **29/703,501**
(22) Filed: **Aug. 28, 2019**
(51) **LOC (13) Cl.** **16-06**
(52) **U.S. Cl.**
USPC **D16/312**
(58) **Field of Classification Search**
USPC 2/426–432, 435, 436, 437, 438, 439,
2/440–454; 351/43, 44–47, 49, 59, 63,
351/69, 104, 123, 126, 131, 132, 135,
351/145; D16/101, 300–342;
D29/108–110; D21/695–661; D14/372
CPC A63B 33/00; A63B 33/002; A61M
2021/0044; G01C 5/16; G02C 1/06;
G02C 5/146; G02C 5/2254; G02C 5/008;
G02C 5/14; G02C 5/16; G02C 11/02;
G02C 11/04; G02C 2200/08; G02C
2200/22
See application file for complete search history.

(56) **References Cited**
U.S. PATENT DOCUMENTS
D556,812 S * 12/2007 Wang-Lee D16/312
D559,299 S * 1/2008 Tabacchi D16/303
D653,695 S * 2/2012 Tobia D16/312
D711,961 S * 8/2014 Arnette D16/312
D718,369 S * 11/2014 Janavicius D16/312
D729,303 S * 5/2015 Laperriere D16/326
D776,187 S * 1/2017 Tappeiner D16/312
D829,810 S * 10/2018 Nellestam D16/313
D847,248 S * 4/2019 Liang D16/313
D864,285 S * 10/2019 Liang D16/313
D872,168 S * 1/2020 Zhang D16/312
D872,169 S * 1/2020 Yong D16/312
D892,913 S * 8/2020 Lindauer D16/313

2007/0033718 A1* 2/2007 Lin G02C 11/08
2/448
2008/0301857 A1* 12/2008 Wang-Lee A61F 9/027
2/431
2008/0301858 A1* 12/2008 Wang-Lee A61F 9/025
2/436
2009/0038059 A1* 2/2009 McNeal G02C 5/001
2/439
2009/0300830 A1* 12/2009 Mage A61F 9/025
2/441

(Continued)

FOREIGN PATENT DOCUMENTS

CN 303127603 * 3/2015

OTHER PUBLICATIONS

Google search: "ski goggles" [site visited Sep. 14, 2020]: https://www.google.com/search?q=ski+goggles&sxsrf=ALeKk02lBpxs2EwWIKoCFExMvdU4t7aajg:1600058664745&source=lnms&tbm=isch&sa=X&ved=2ahUKewi9utOC6-frAhWXoXIEHV00B8YQ_AUoAnoECBkQBA&biw=1920&bih=937 (Year: 2020).*

(Continued)

Primary Examiner — Sanjeev Paul

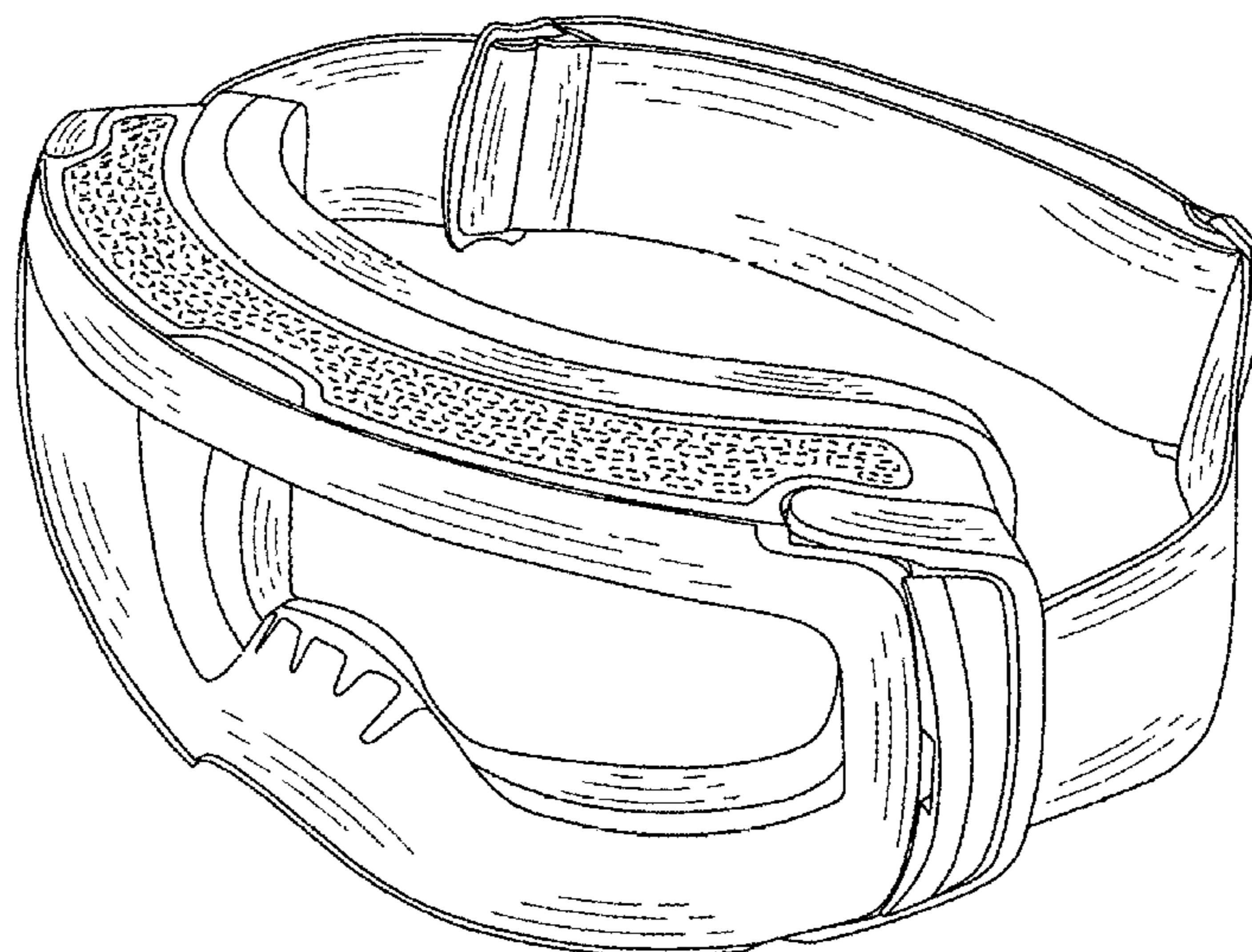
(57) **CLAIM**

The ornamental design for a ski goggle, as shown and described.

DESCRIPTION

FIG. 1 is a perspective view of a ski goggle showing my new design;
FIG. 2 is a front elevational view thereof;
FIG. 3 is a rear elevational view thereof;
FIG. 4 is a left side elevational view thereof;
FIG. 5 is a right side elevational view thereof;
FIG. 6 is a top plan view thereof; and,
FIG. 7 is a bottom plan view thereof.
The broken lines illustrate portions of the ski goggle that form no part of the claimed design.

1 Claim, 7 Drawing Sheets



(56)

References Cited

U.S. PATENT DOCUMENTS

2010/0064421 A1* 3/2010 Wang-Lee A61F 9/025
2/428
2013/0067626 A1* 3/2013 Sandor A61F 9/026
2/10
2013/0091623 A1* 4/2013 McCulloch A61F 9/029
2/435
2013/0185849 A1* 7/2013 Laughlin A61F 9/025
2/431
2014/0033408 A1* 2/2014 Currens A61F 9/025
2/431
2015/0150724 A1* 6/2015 Arnette A61F 9/02
2/439
2015/0272784 A1* 10/2015 Padovani A61F 9/029
2/436
2016/0008174 A1* 1/2016 Padovani A61F 9/025
2/439

2016/0143785 A1* 5/2016 Laperriere A61F 9/025
2/431
2019/0343685 A1* 11/2019 Hung G02C 7/102
2020/0249495 A1* 8/2020 Prugue G02C 1/06

OTHER PUBLICATIONS

Google search: "snow goggles" [site visited Sep. 14, 2020]: https://www.google.com/search?q=snow+goggles&sxsrf=ALeKk02lhSpTbeXoXyiD23SmeiuPq590rg:1600061453595&source=lnms&tbm=isch&sa=X&ved=2ahUKEwj_r7209efrAhV1lnIEHaD6AuQQ_AUoAnoECBkQBA&biw=1200&bih=1777 (Year: 2020).
Oakley Men's Snow Goggles, [online], [site visited Sep. 14, 2020]. Available from Internet, <URL: <https://www.oakley.com/en-us/category/men/goggles-helmets/snow-goggles>> (Year: 2020).*

* cited by examiner

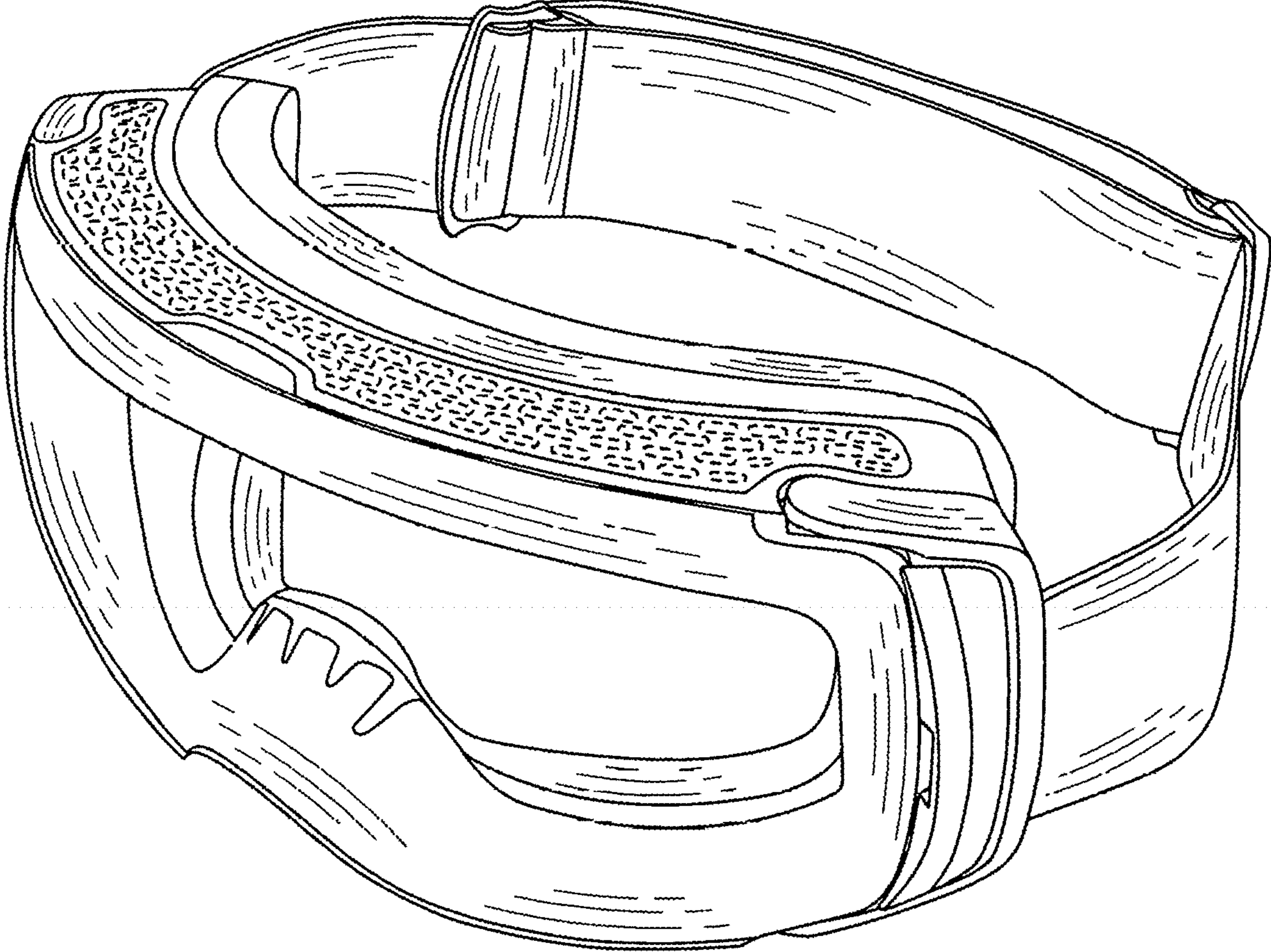


FIG. 1

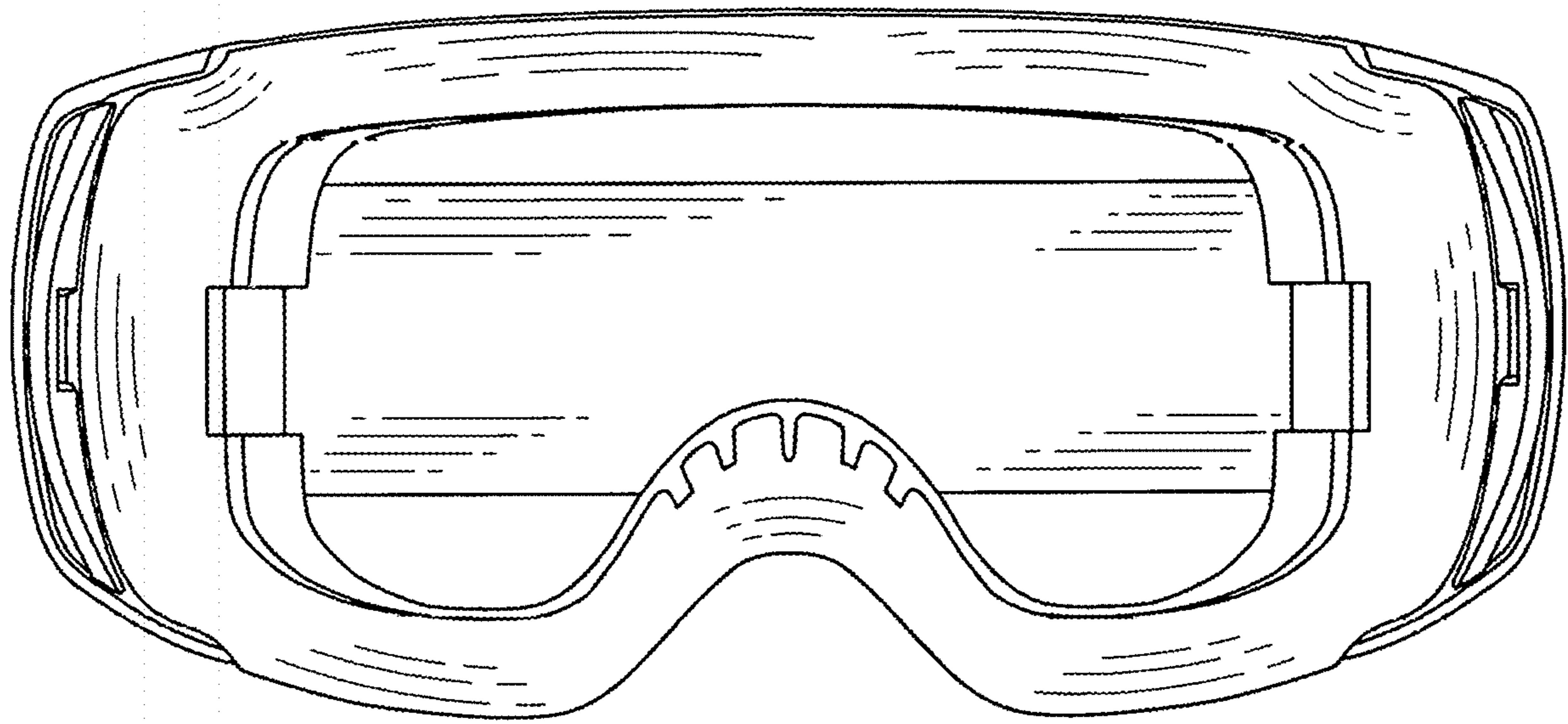


FIG. 2

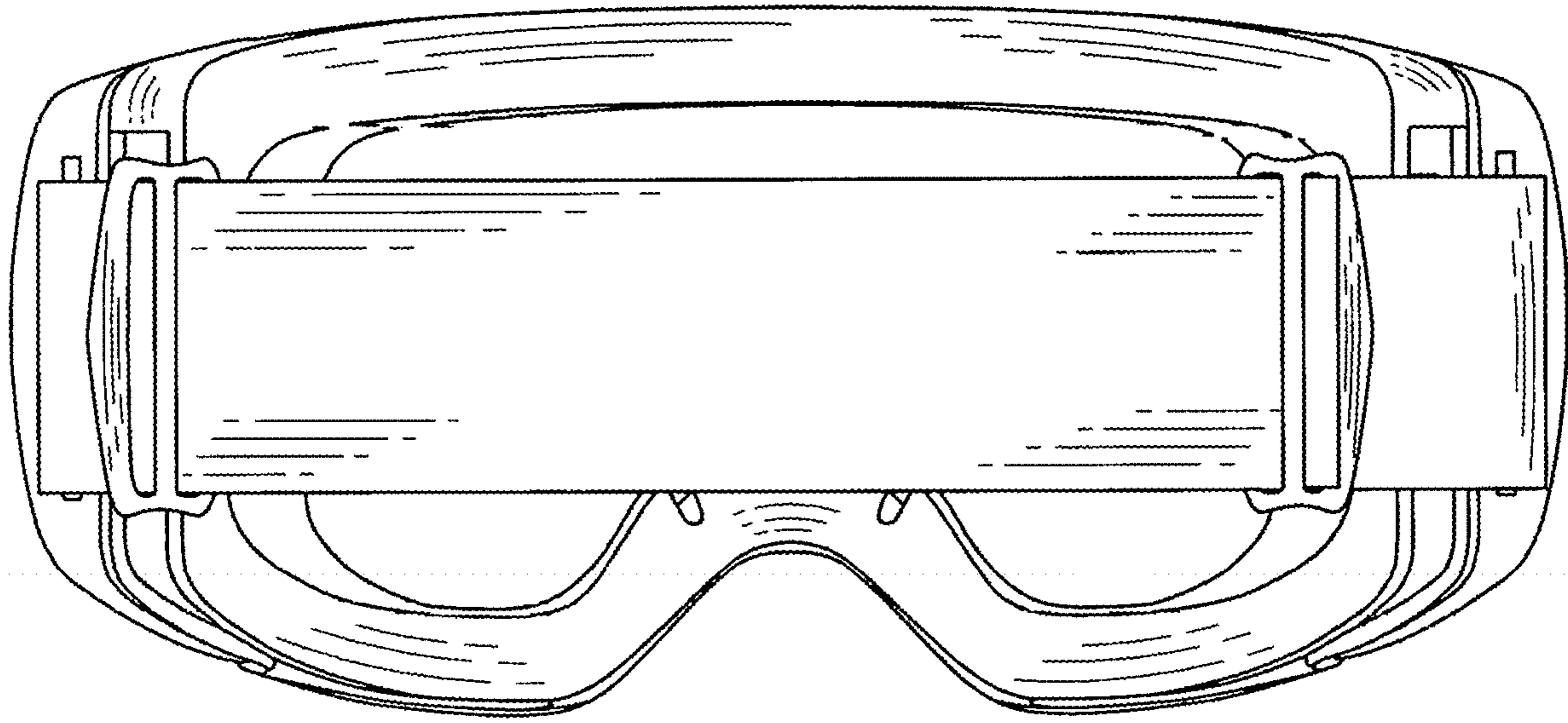


FIG. 3

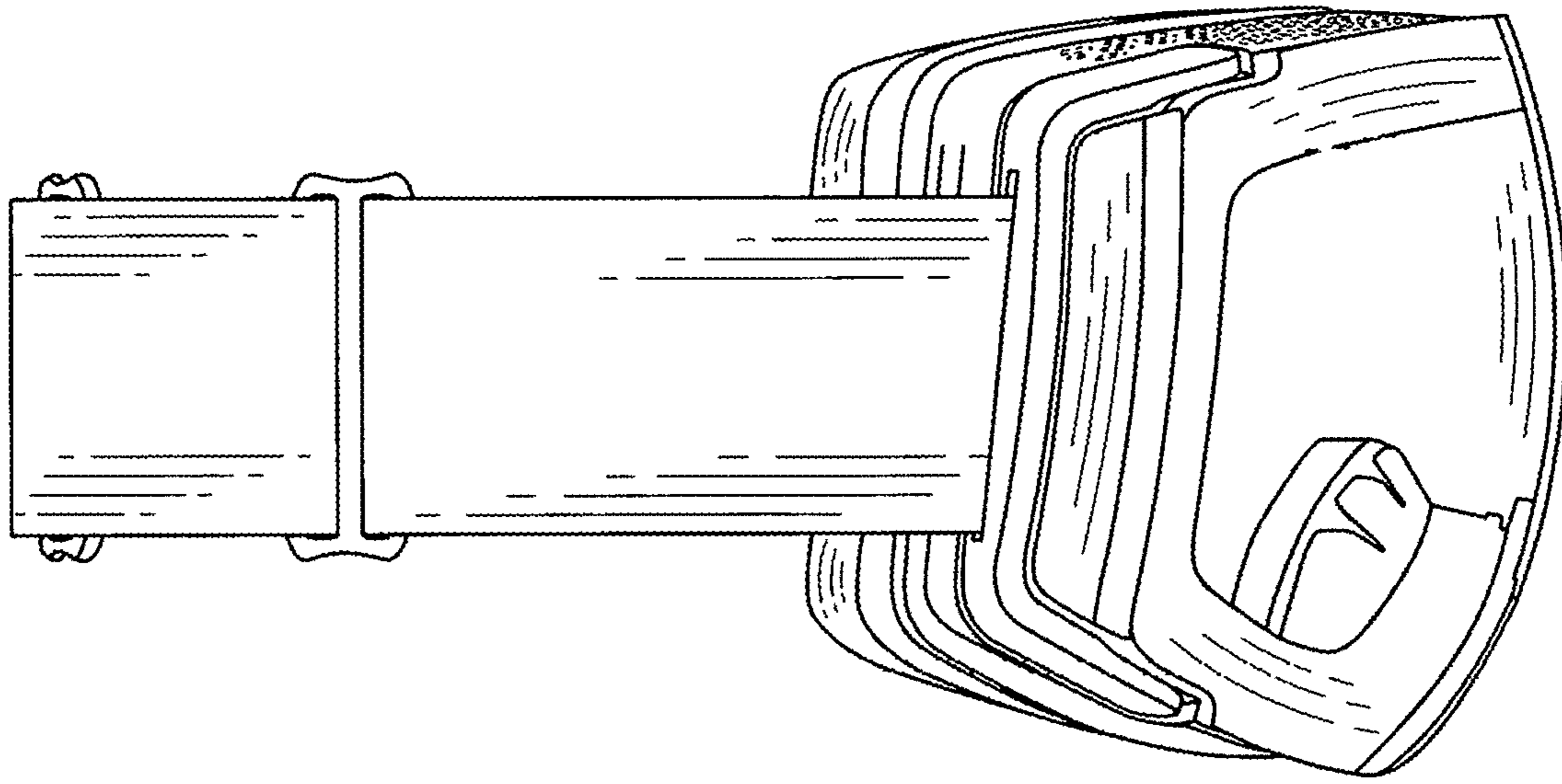


FIG. 4

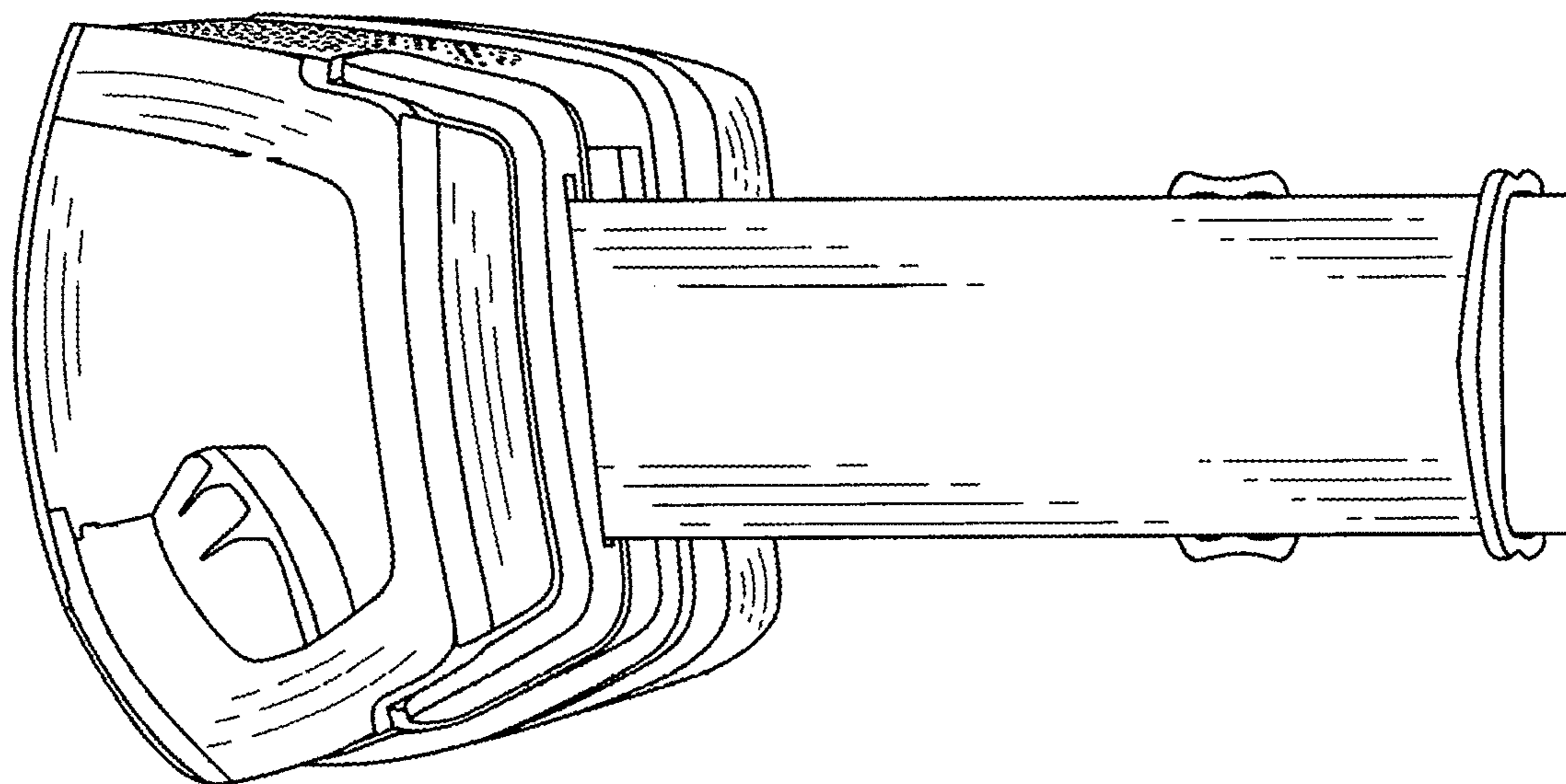


FIG. 5

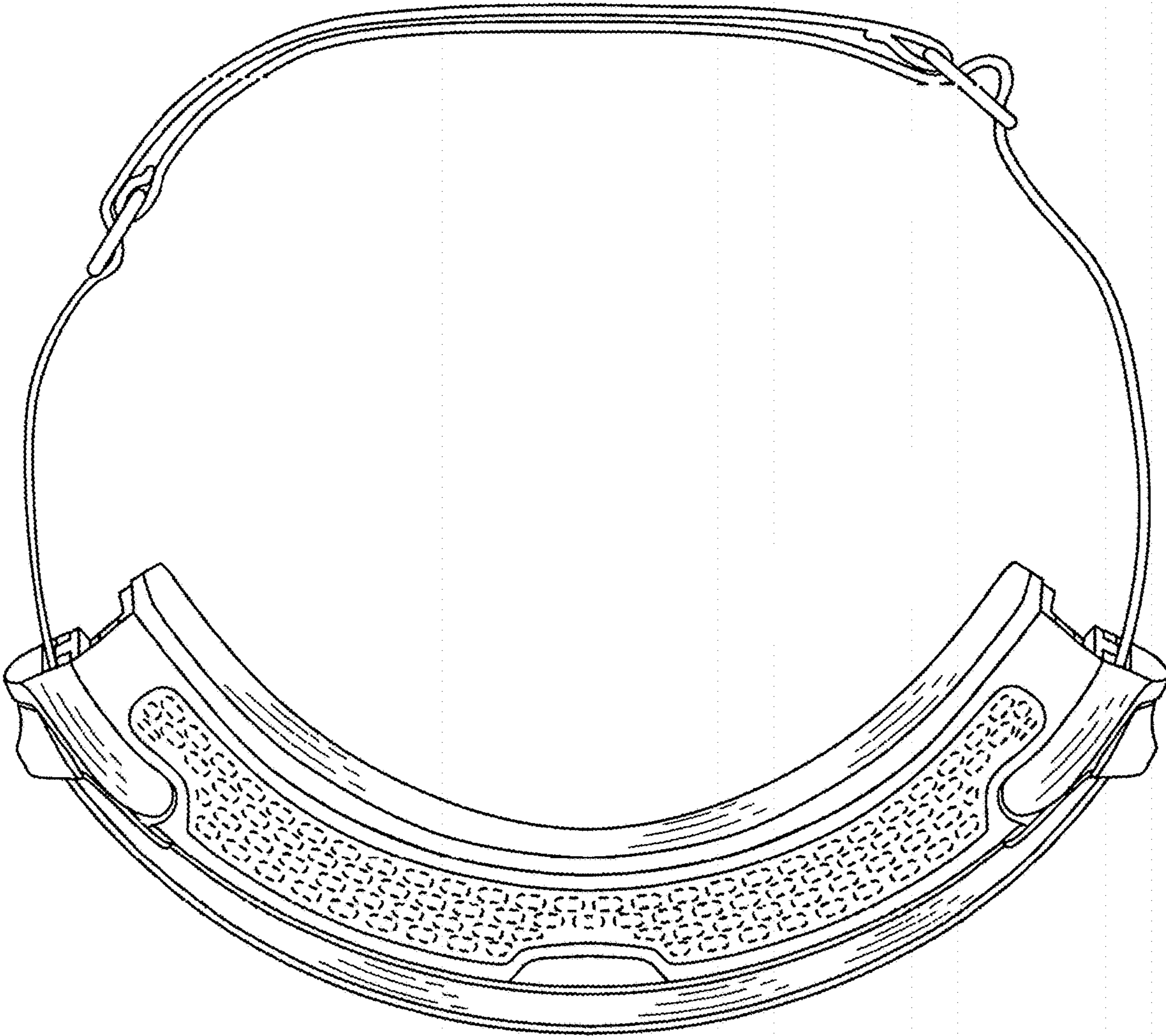


FIG. 6

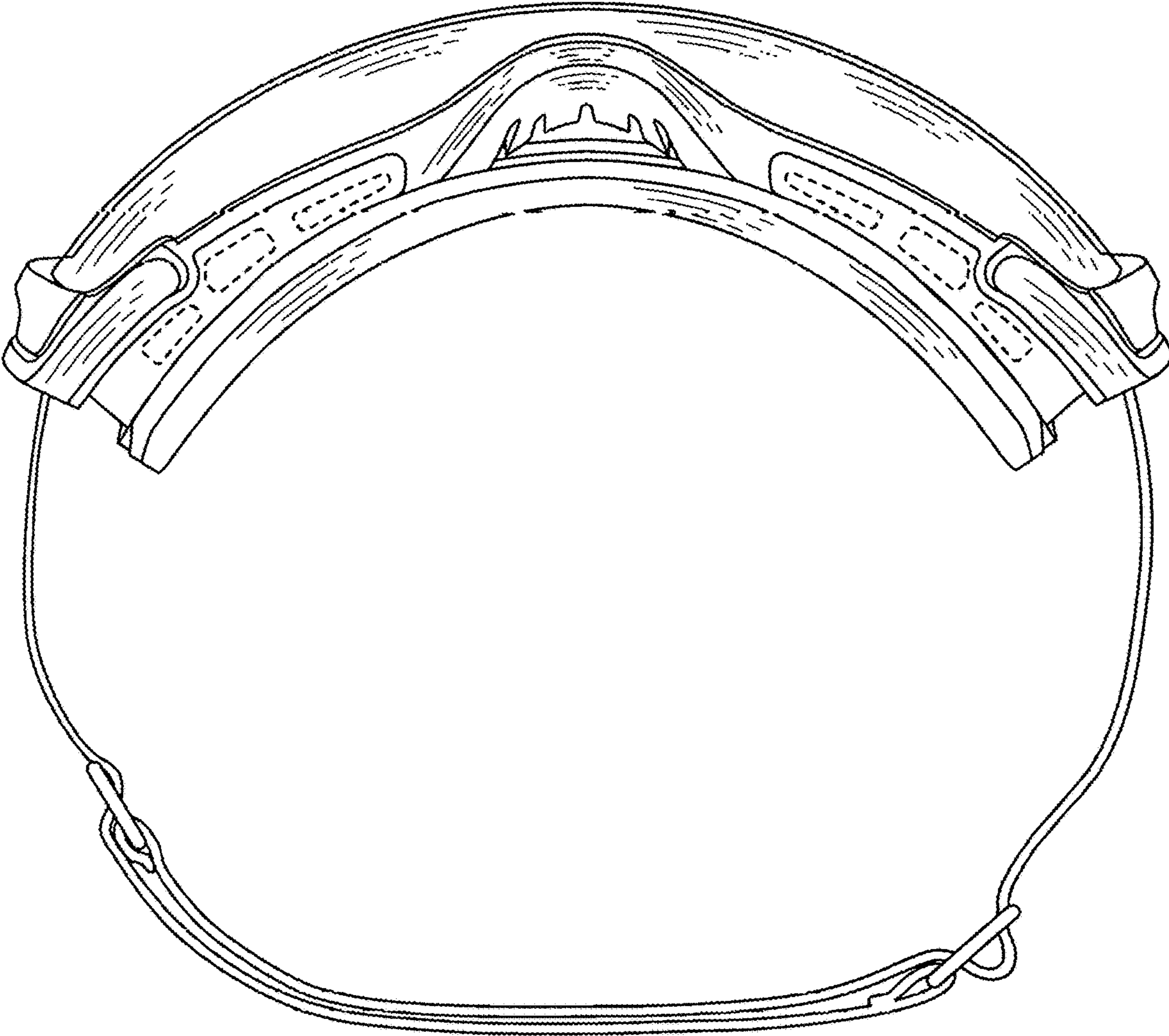


FIG. 7