



US00D919693S

(12) **United States Design Patent** (10) **Patent No.:** **US D919,693 S**
Yang (45) **Date of Patent:** **** May 18, 2021**

(54) **PORTABLE PROJECTION SCREEN**

(71) Applicant: **Cheng Yang**, Guangdong (CN)

(72) Inventor: **Cheng Yang**, Guangdong (CN)

(73) Assignee: **Shenzhen Da Ping Audio & Video Technology Co., Ltd.**, Guangdong (CN)

(**) Term: **15 Years**

(21) Appl. No.: **29/682,655**

(22) Filed: **Mar. 7, 2019**

(51) **LOC (13) Cl.** **16-05**

(52) **U.S. Cl.**
USPC **D16/241**

(58) **Field of Classification Search**
USPC D16/237-250; D8/354, 355, 363, 373, D8/382, 383, 394, 396; D14/224, 229, D14/238, 251, 253; D20/39, 41
CPC G03B 17/56; G03B 17/561-566; F16M 11/14

See application file for complete search history.

(56) **References Cited**

U.S. PATENT DOCUMENTS

D351,863 S *	10/1994	Sarkisian	D20/41
D376,821 S *	12/1996	Hathaway	D20/41
D384,979 S *	10/1997	Greene, Jr.	D20/41
6,870,672 B2 *	3/2005	Stumpfl	G03B 21/58 248/465
D684,209 S *	6/2013	Measom	D16/241
D685,837 S *	7/2013	Measom	D16/241
D702,280 S *	4/2014	Go	D16/241
D703,258 S *	4/2014	Measom	D16/241
8,695,985 B2 *	4/2014	Potterfield	F41J 1/10 273/407
D727,830 S *	4/2015	Arboix	D12/400
D751,648 S *	3/2016	Gongola	D20/41

D785,071 S *	4/2017	Measom	D16/241
D807,310 S *	1/2018	Lee	D14/126
D807,312 S *	1/2018	Jeong	D14/126
D828,433 S *	9/2018	Zhao	D16/241
D833,510 S *	11/2018	Jo	D16/241
D837,224 S *	1/2019	Kim	D14/451
D849,519 S *	5/2019	Dettmering	D8/373
D862,470 S *	10/2019	Kang	D14/374
D866,201 S *	11/2019	Ogilvie	D6/332
D875,815 S *	2/2020	Fest	D16/241
2015/0008201 A1 *	1/2015	Qiang	D06F 57/06 211/85.3
2015/0192952 A1 *	7/2015	Jung	G06F 1/1652 361/747

OTHER PUBLICATIONS

Projector Screen with Stand 80 inch Portable Projection Screen 16:9 4K HD Rear Front Projections Movies Screen with Carry Bag for Indoor Outdoor Home Theater Backyard Cinema Trave . . . [online] First available Sep. 27, 2019. Retrieved from URL: https://www.amazon.com/Projector-Screen-Stand-Portable-Projection/d.*

(Continued)

Primary Examiner — Vy N Koenig

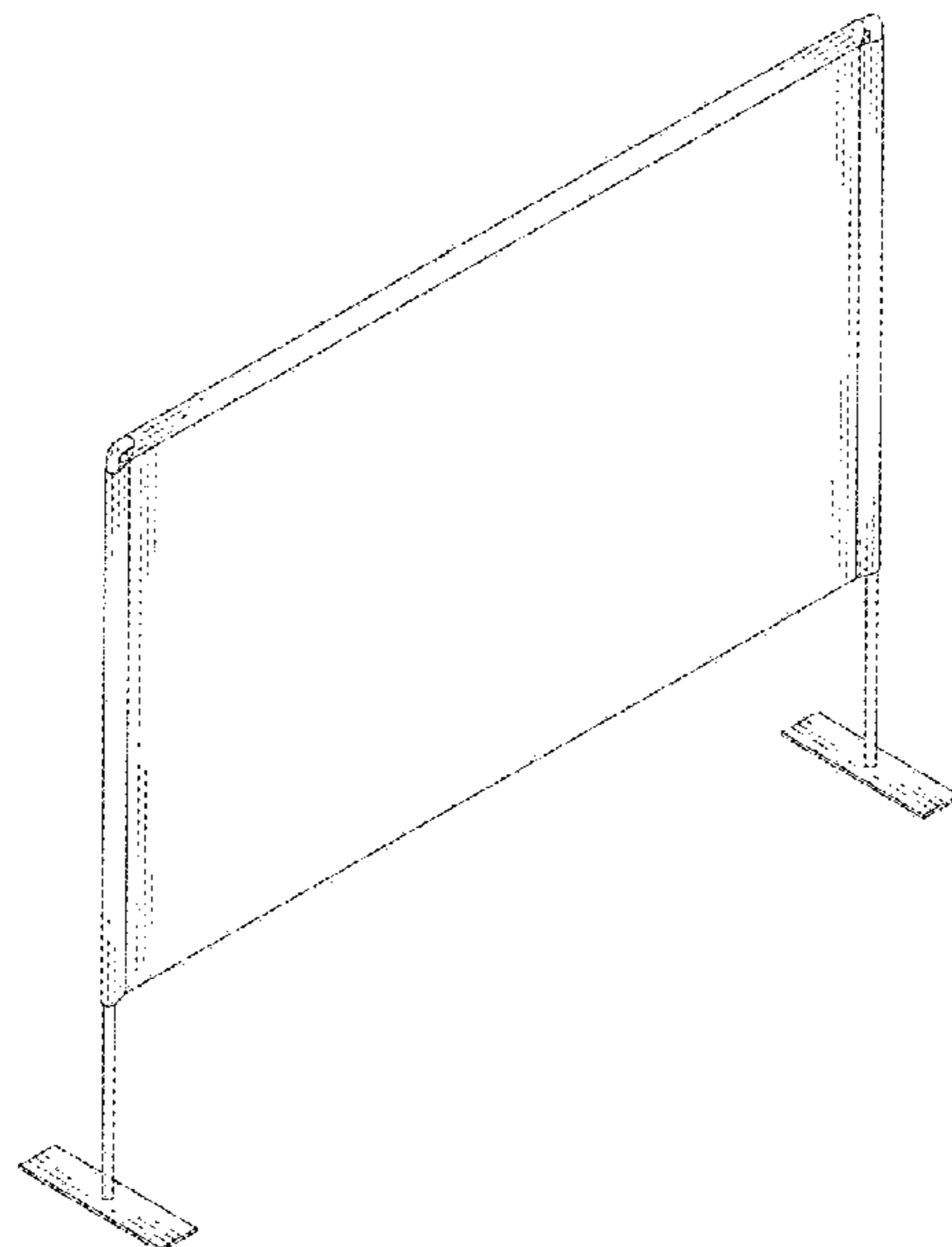
(57) **CLAIM**

I claim the ornamental design for a portable projection screen, as shown and described.

DESCRIPTION

FIG. 1 is a perspective view of a portable projection screen showing my new design;
FIG. 2 is a front elevational view thereof;
FIG. 3 is a rear elevational view thereof;
FIG. 4 is a left side elevational view thereof;
FIG. 5 is a right side elevational view thereof;
FIG. 6 is a top plan view thereof; and,
FIG. 7 is a bottom plan view thereof.

1 Claim, 7 Drawing Sheets



(56)

References Cited

OTHER PUBLICATIONS

Projector Screen with Stand 100 inch 16:9 HD 4K Outdoor Indoor Projection Screen for Home Theater 3D Fast-Folding Projector Screen with Stand Legs and Carry Bag Projection Movie Wrinkle-Free. [online] First available Mar. 22, 2019. Retrieved from URL: <https://www.amazon.com/Portable-Projector-Screen-Stand-inch/dp/>.*

Elite Screens Yard Master Foldable Outdoor Portable. [online] Retrieved Apr. 8, 2020 from URL: <https://www.wayfair.com/furniture/pdp/elite-screens-yardmaster-foldable-outdoor-portable-light-weight-front-projection-movie-screen-eli2395.html?piid=>.*

* cited by examiner

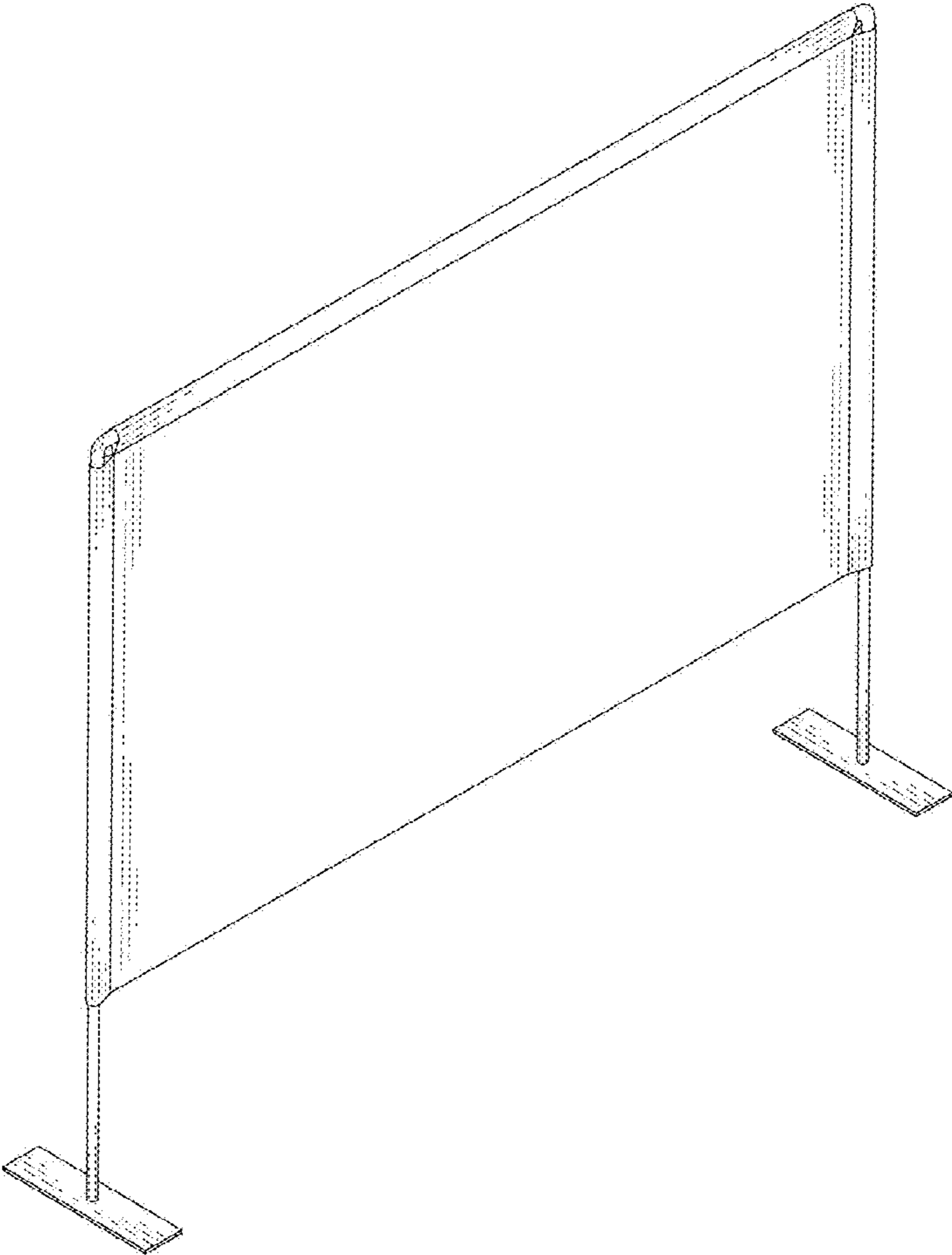


FIG.1



FIG.2



FIG.3

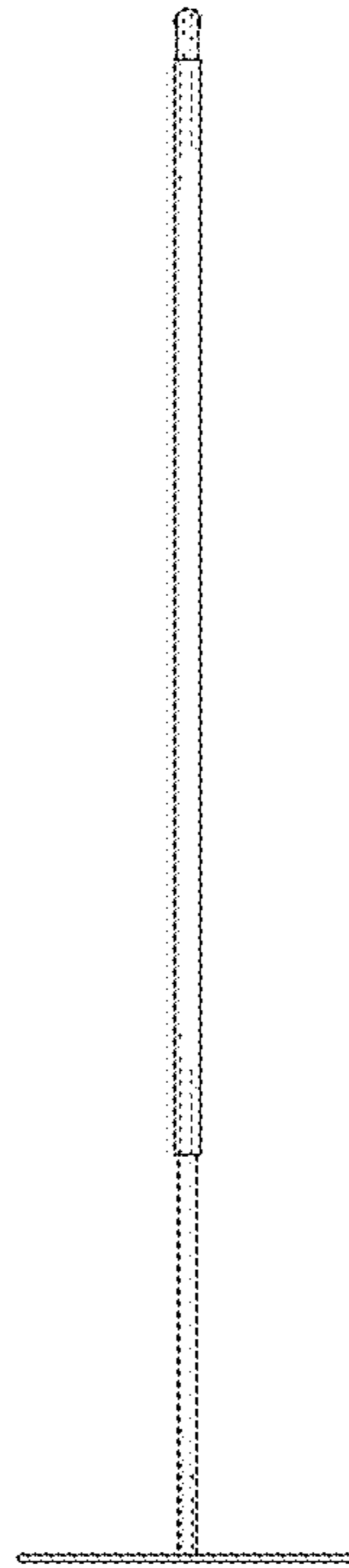


FIG. 4

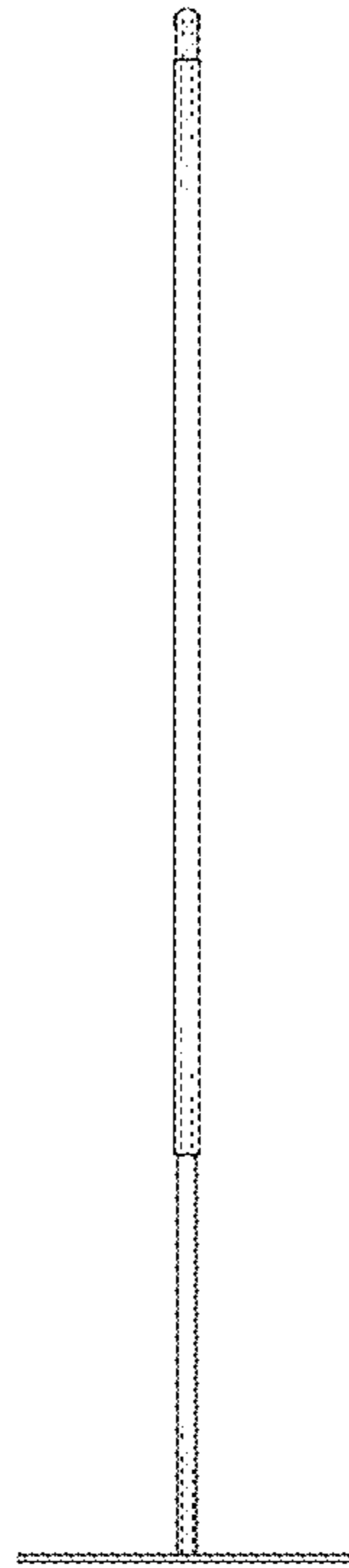


FIG. 5

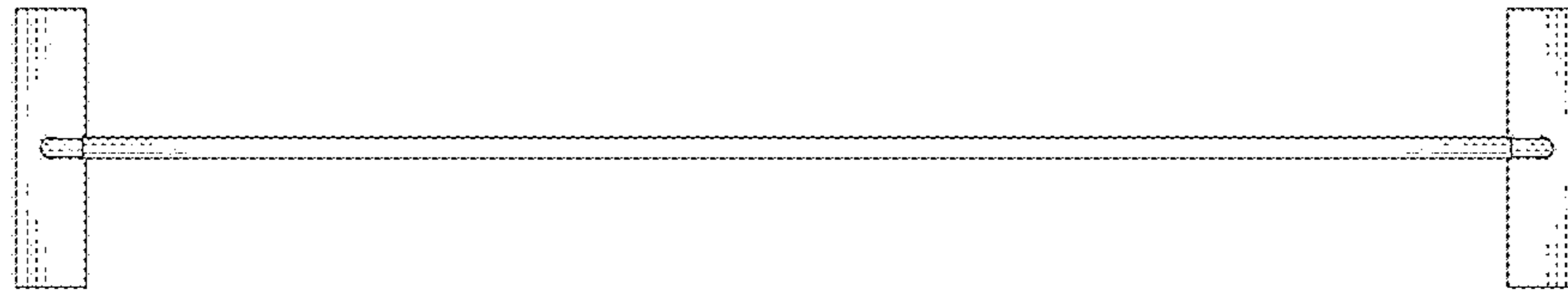


FIG.6

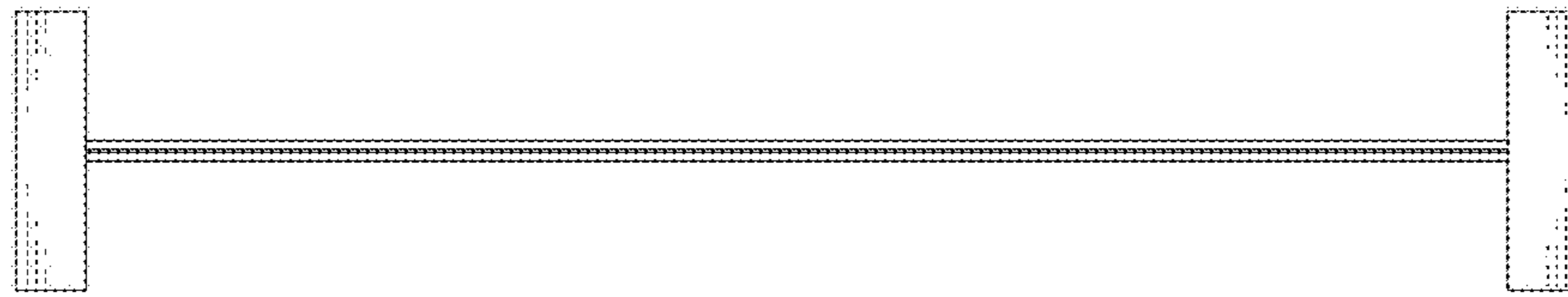


FIG.7