



US00D919692S

(12) **United States Design Patent** (10) **Patent No.:** **US D919,692 S**
Deng (45) **Date of Patent:** **** May 18, 2021**

(54) **PROJECTOR**

FOREIGN PATENT DOCUMENTS

(71) Applicant: **Shenzhen Shadow Crown Technology Co., Ltd**, Guangdong (CN)

CN 306162746 * 7/2020
CN 306249697 * 7/2020

(72) Inventor: **Feiyue Deng**, Guangdong (CN)

OTHER PUBLICATIONS

(73) Assignee: **Shenzhen Shadow Crown Technology Co., Ltd**, Shenzhen (CN)

Mini Projector, GooDee YG230 Video Projector, LED Portable Home Theater Projector 1080P Supported, Compatible with PS4, PC via HDMI, VGA, TF, AV and USB, for Kids. Aug. 15, 2020. Retrieved on Mar. 17, 2021. Retrieved from the Internet: <https://www.amazon.com/Projector-GooDee-YG230-Supported-Compatible/dp/B08FY8ZRVN>.*

(**) Term: **15 Years**

(21) Appl. No.: **29/731,668**

(22) Filed: **Apr. 16, 2020**

* cited by examiner

(30) **Foreign Application Priority Data**

Primary Examiner — Wan Laymon

Apr. 3, 2020 (CN) 202030128354.0

(51) **LOC (13) Cl.** **16-02**

(57) **CLAIM**

(52) **U.S. Cl.**
USPC **D16/234**

The ornamental design for a projector, as shown and described.

(58) **Field of Classification Search**
USPC D16/221, 225, 229-231, 234, 203, 208;
D21/514; D26/4, 51

DESCRIPTION

CPC G03B 21/145; G03B 21/14; G03B 21/16;
G03B 21/00; G03B 21/001; G03B
21/003; G03B 21/12
See application file for complete search history.

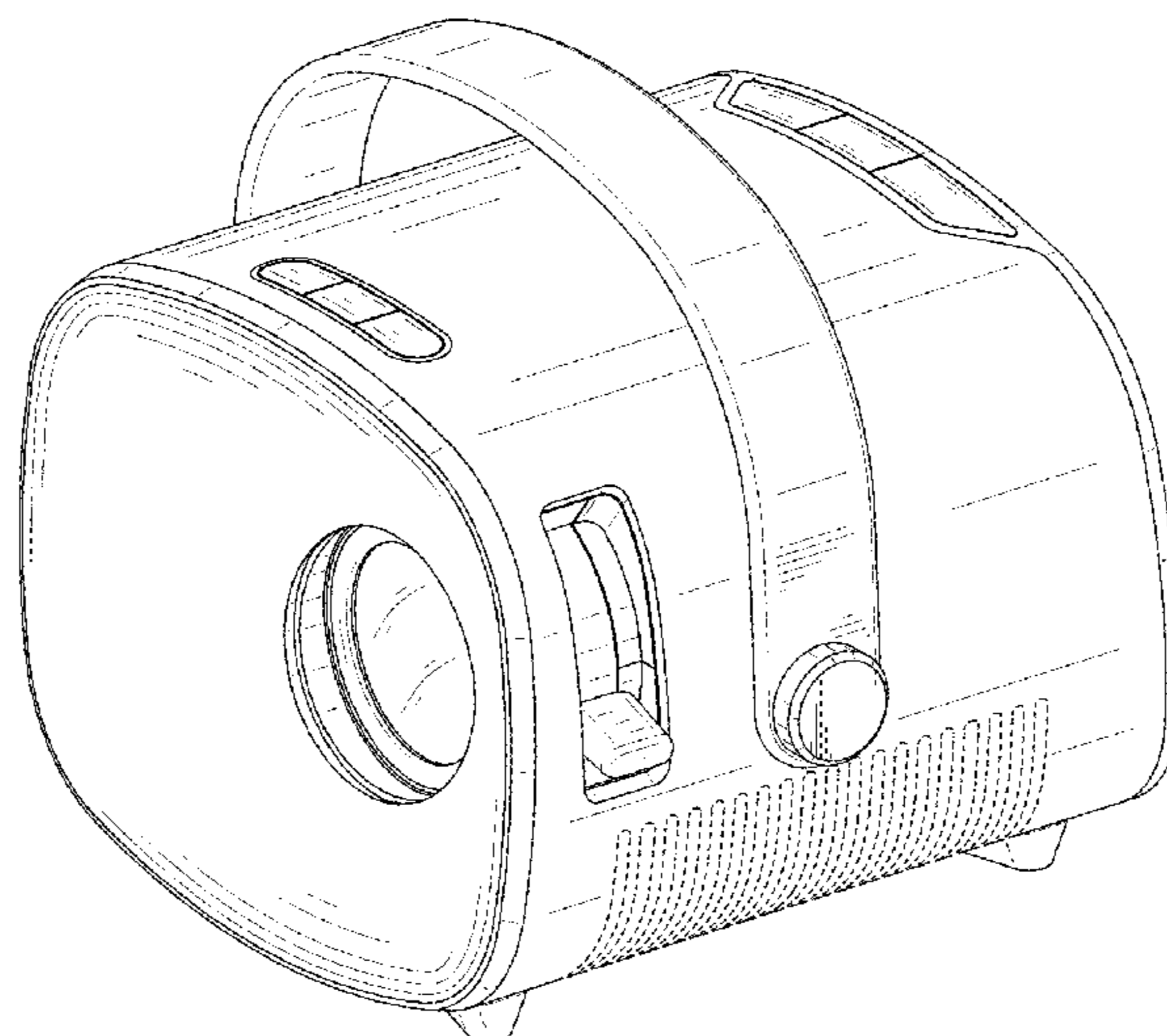
FIG. 1 is a top, front and right side perspective view of a projector showing my new design;
FIG. 2 is a bottom, rear and left side perspective view thereof;
FIG. 3 is a front elevational view thereof;
FIG. 4 is a rear elevational view thereof;
FIG. 5 is a left side view thereof;
FIG. 6 is a right side view thereof;
FIG. 7 is a top plan view thereof;
FIG. 8 is a bottom plan view thereof; and,
FIG. 9 is an enlarged view of portion 9 in FIG. 7.
The broken lines in the drawings illustrate portions of the projector which form no part of the claimed design.
The oblique shade lines in the drawings represent reflective surfaces.

(56) **References Cited**

U.S. PATENT DOCUMENTS

D204,032 S * 3/1966 Herbst et al. D16/234
D605,682 S * 12/2009 Messner D16/230
D635,175 S * 3/2011 Tompkin D16/235
8,955,979 B2 * 2/2015 Velazquez G03B 21/14
353/31
9,405,176 B2 * 8/2016 Kinebuchi G03B 21/16
D857,781 S * 8/2019 Wang D16/231
D863,408 S * 10/2019 Zheng D16/231
D902,983 S * 11/2020 Yin D16/231
2005/0041221 A1 * 2/2005 Buroni G03B 21/16
353/119
2018/0084921 A1 * 3/2018 Huang G03B 21/145

1 Claim, 9 Drawing Sheets



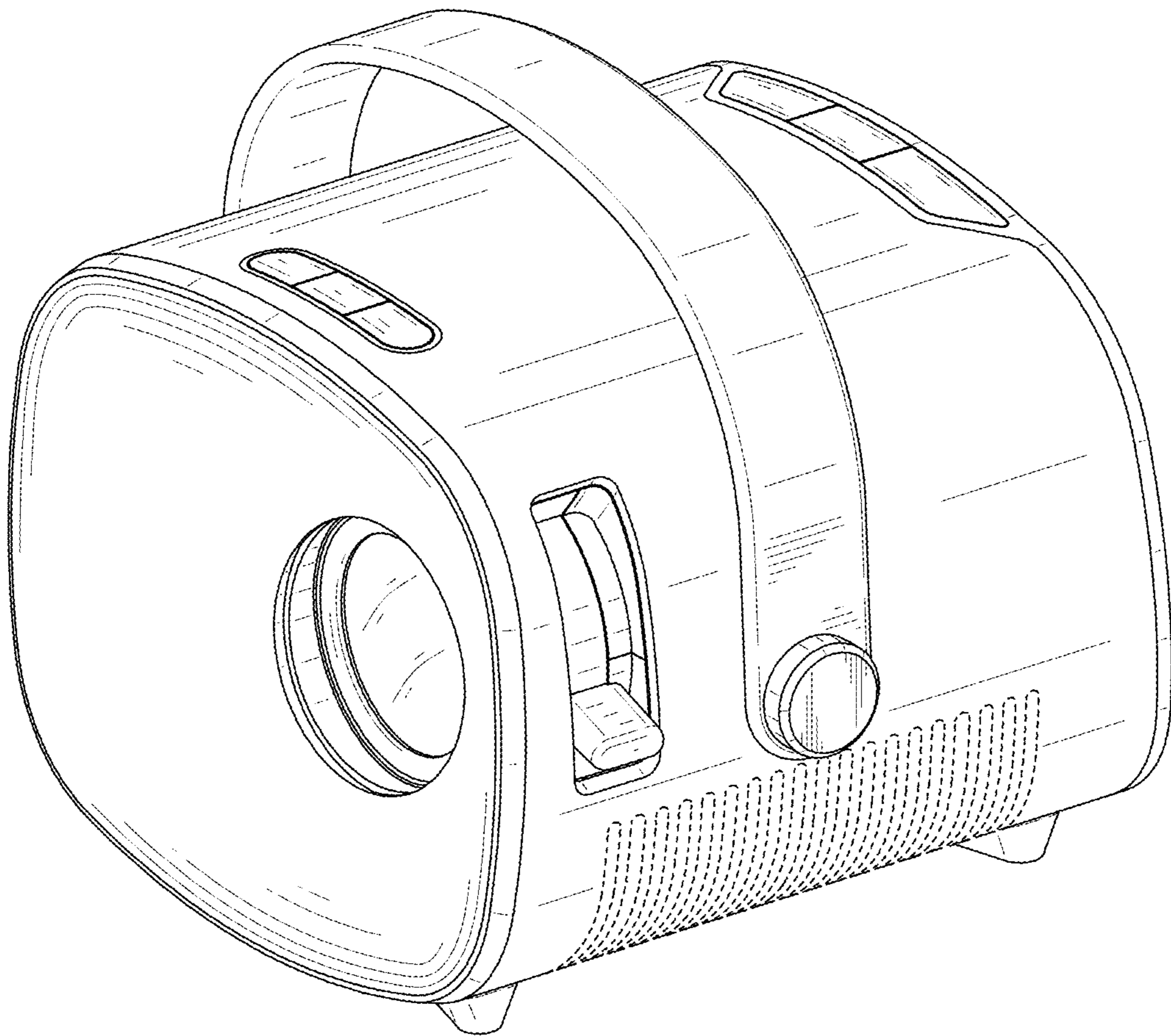


FIG. 1

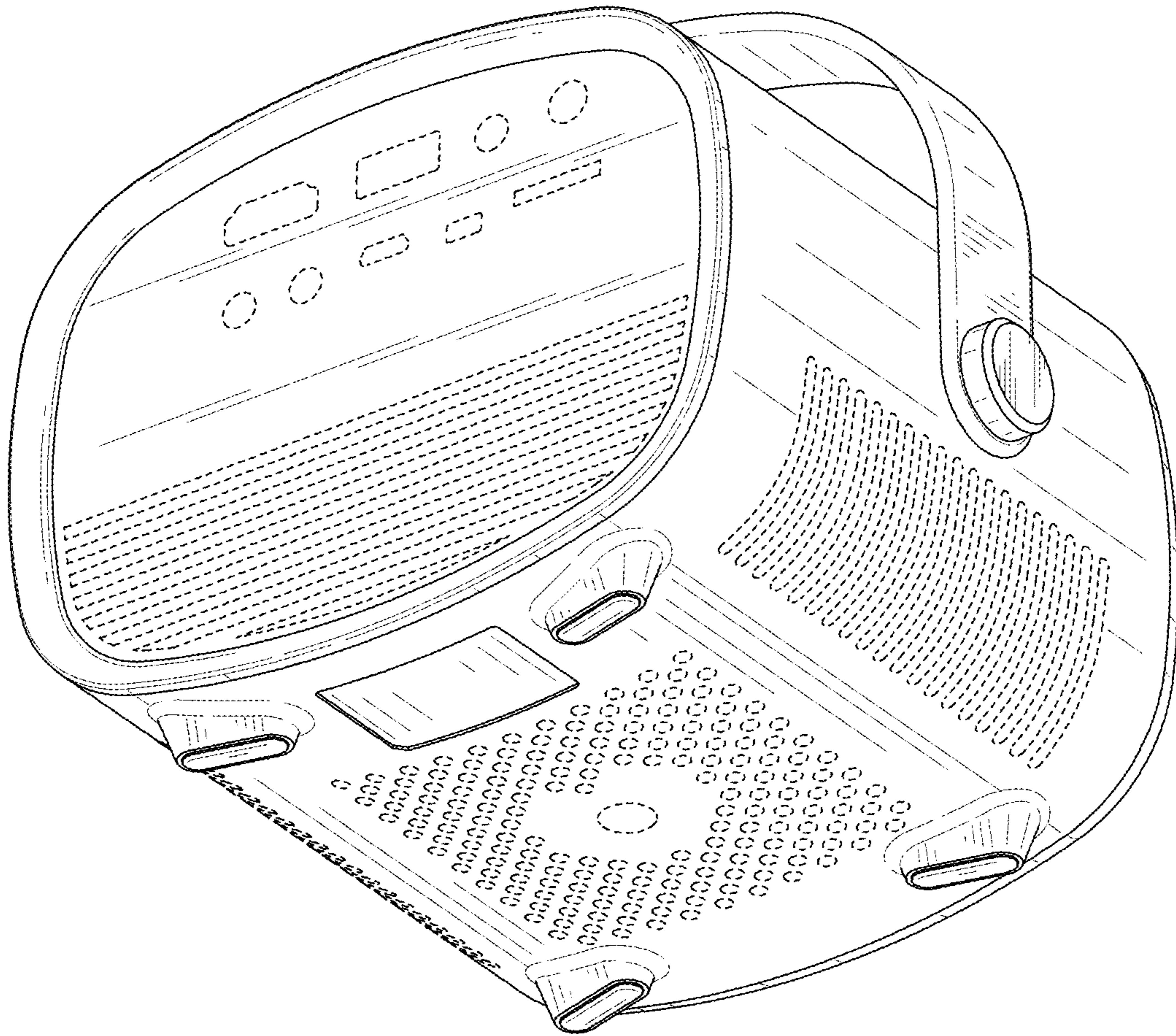


FIG. 2

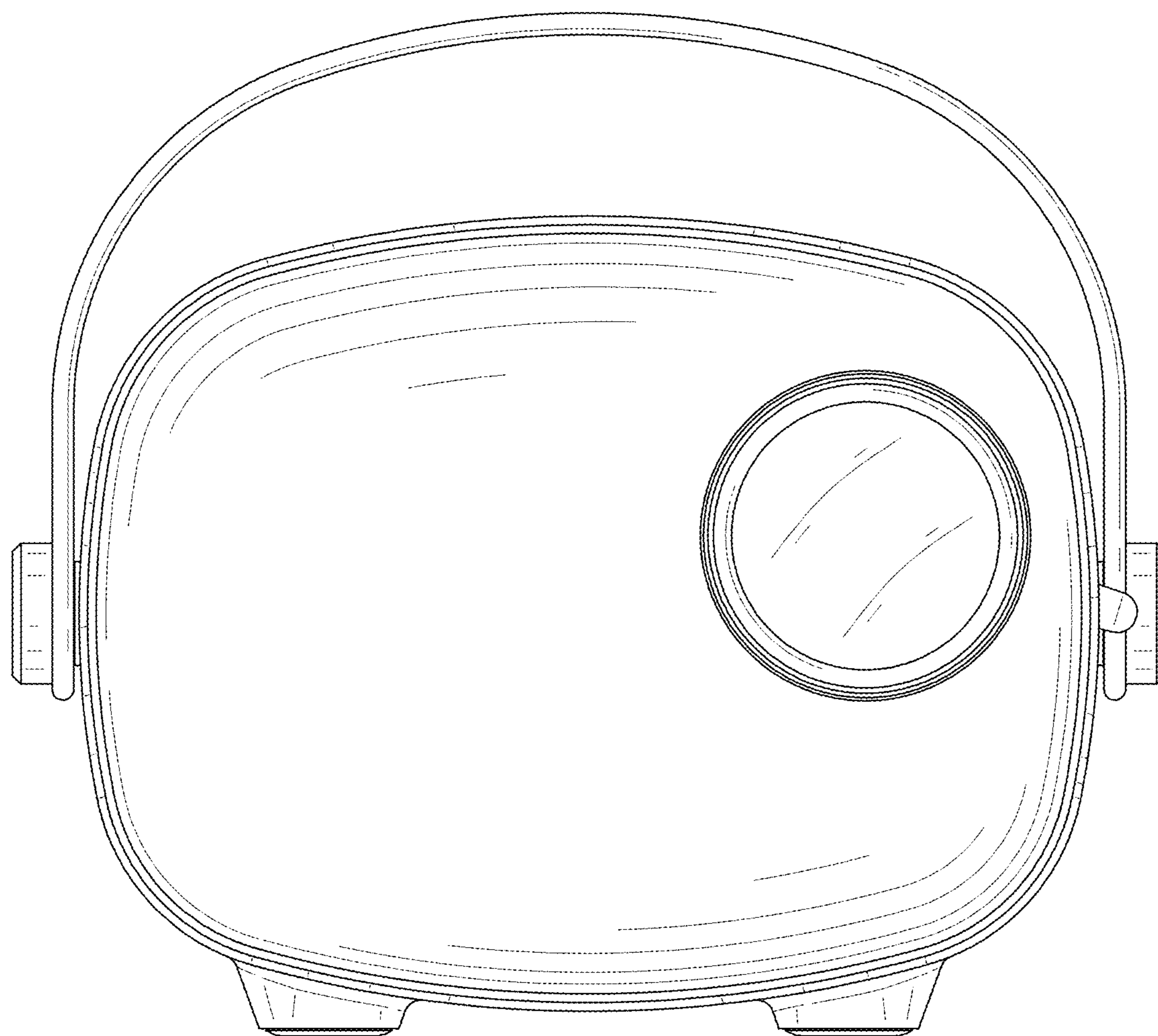


FIG. 3

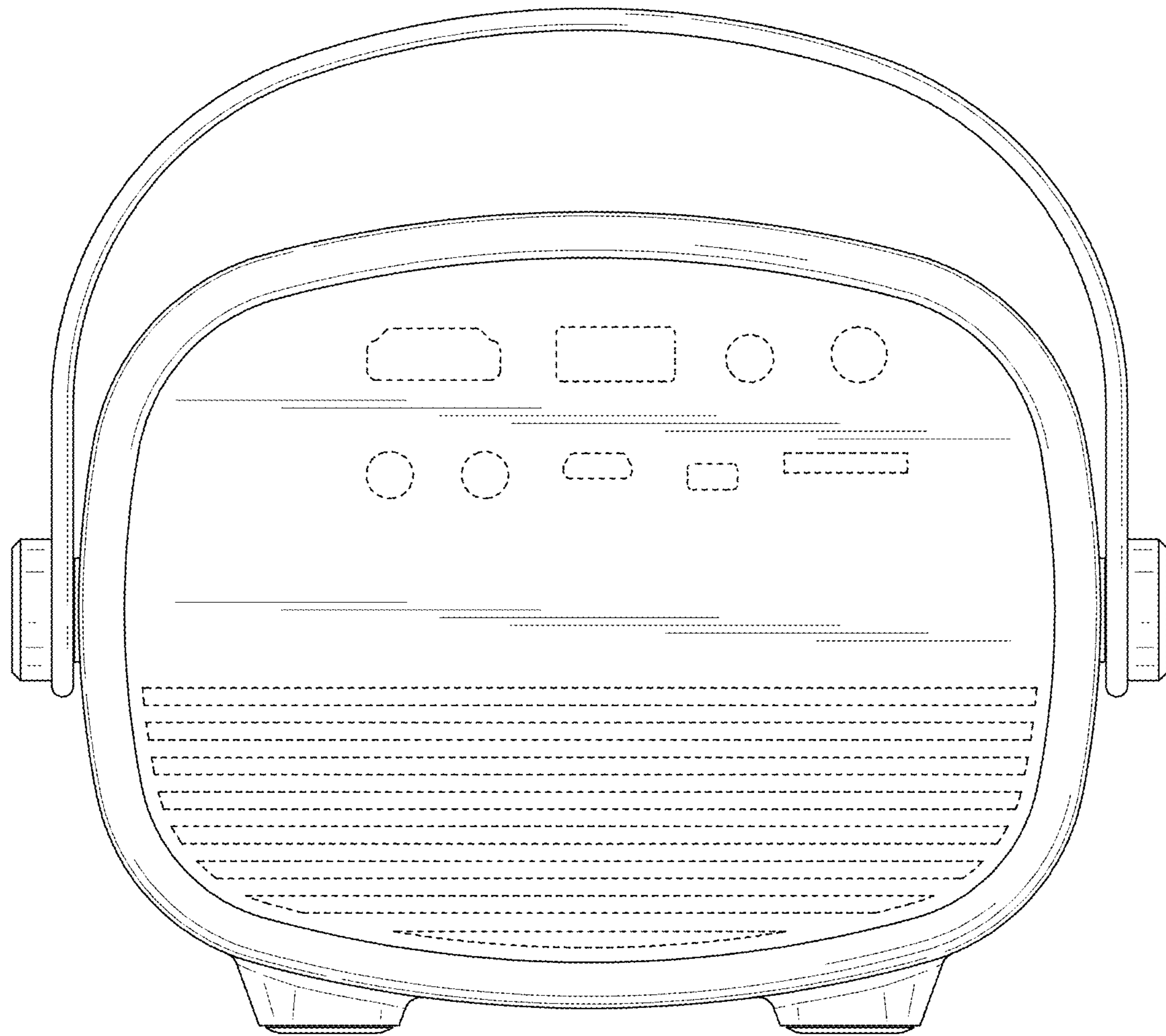


FIG. 4

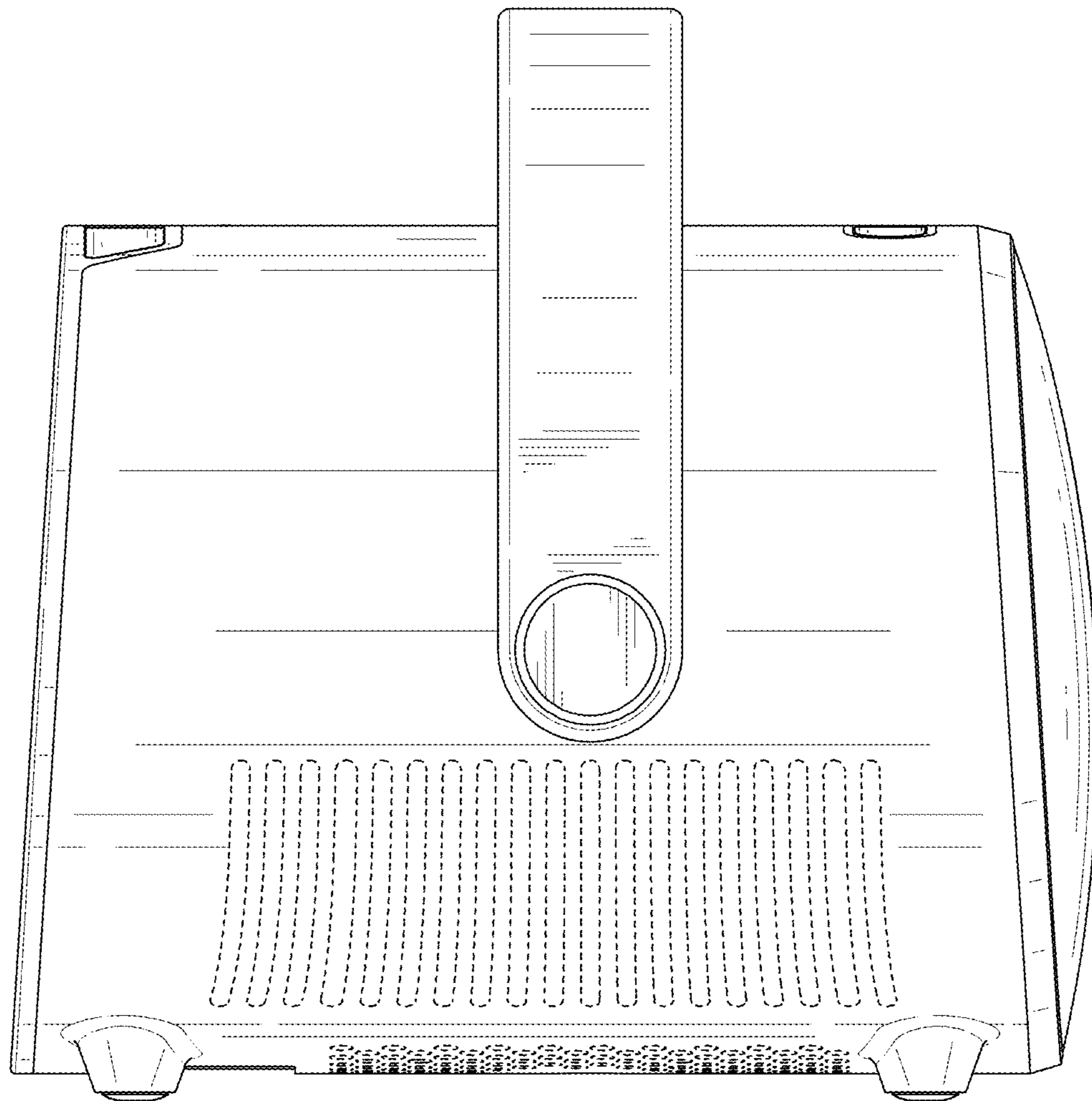


FIG. 5

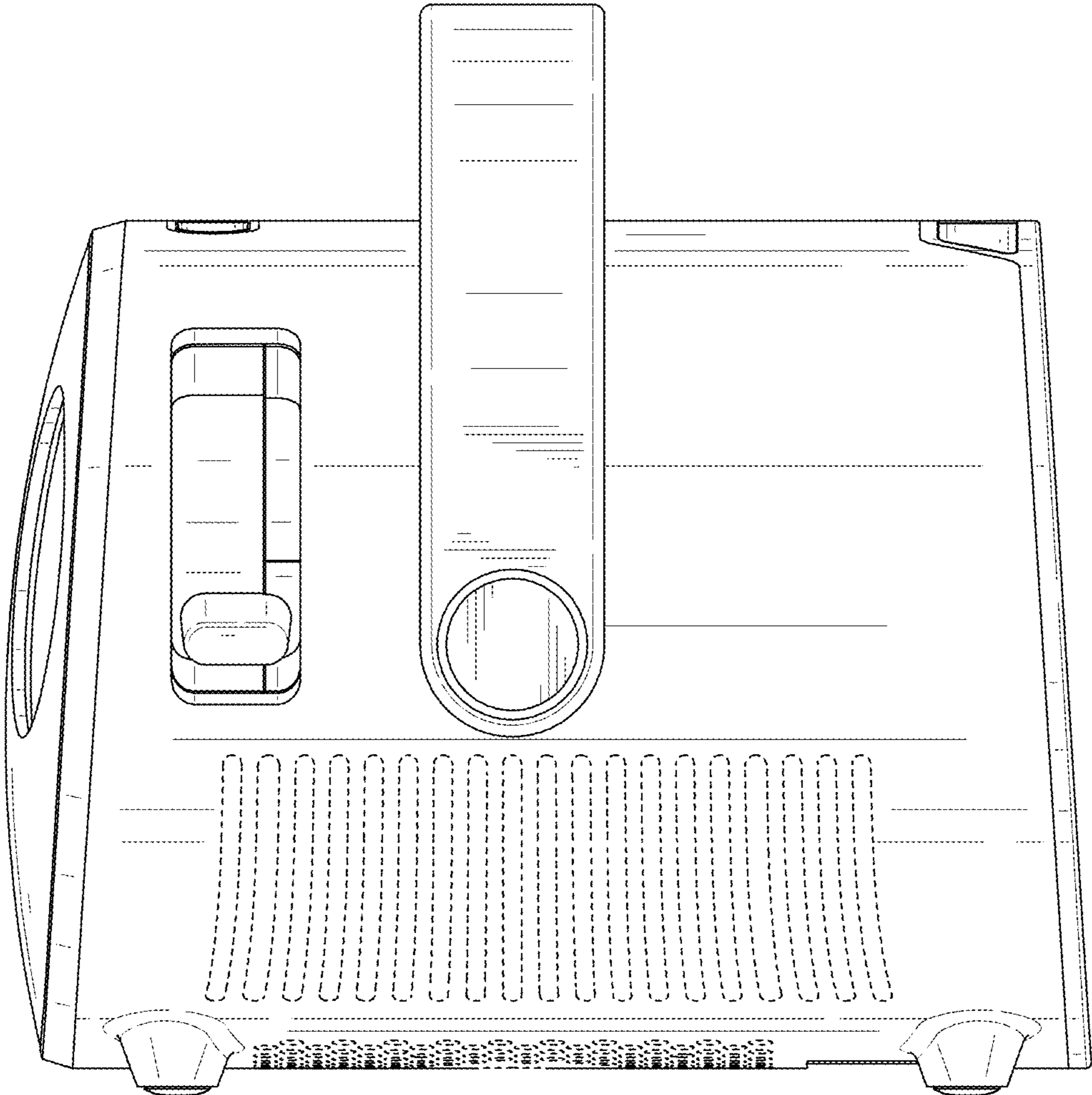


FIG. 6

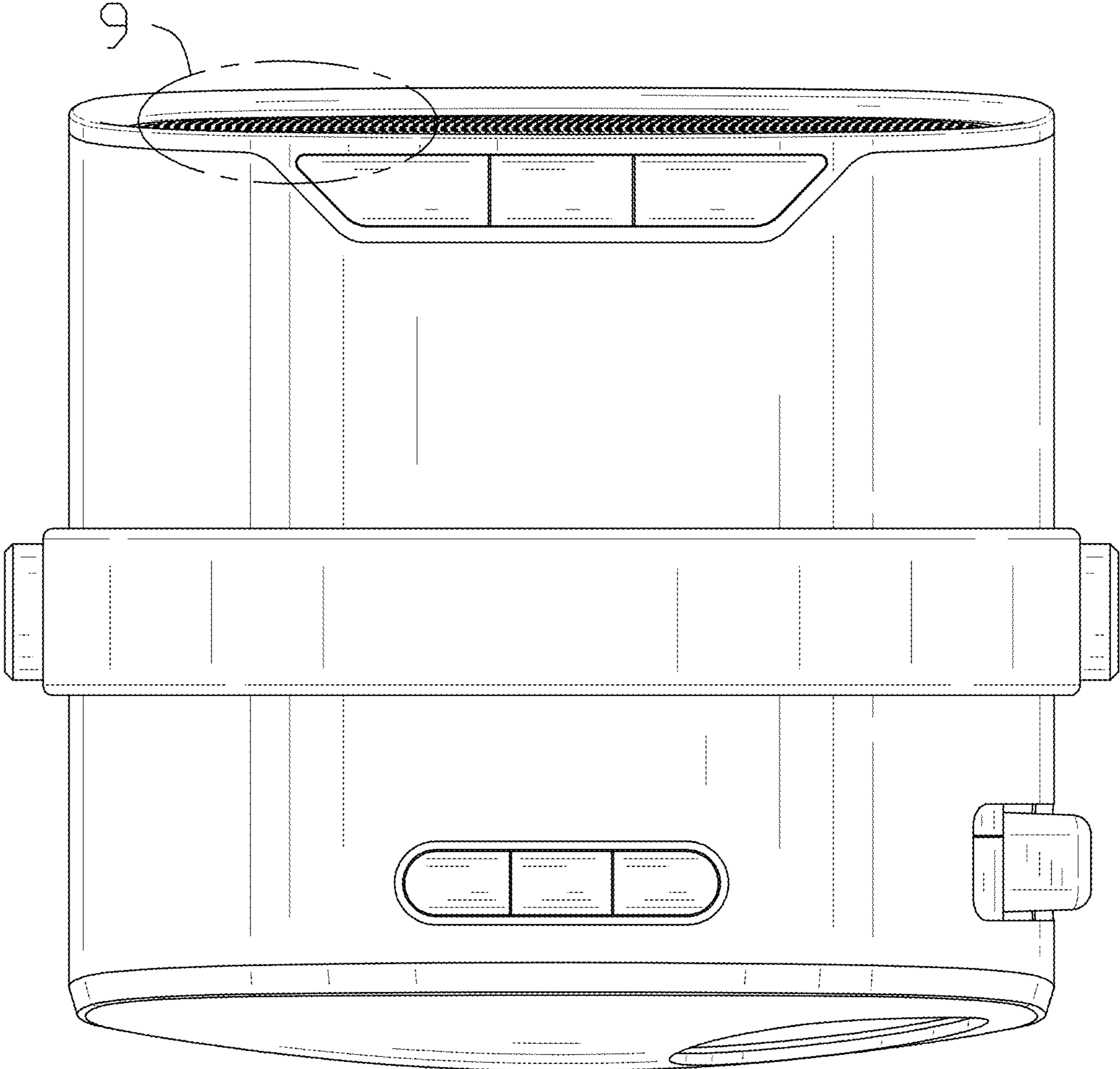


FIG. 7

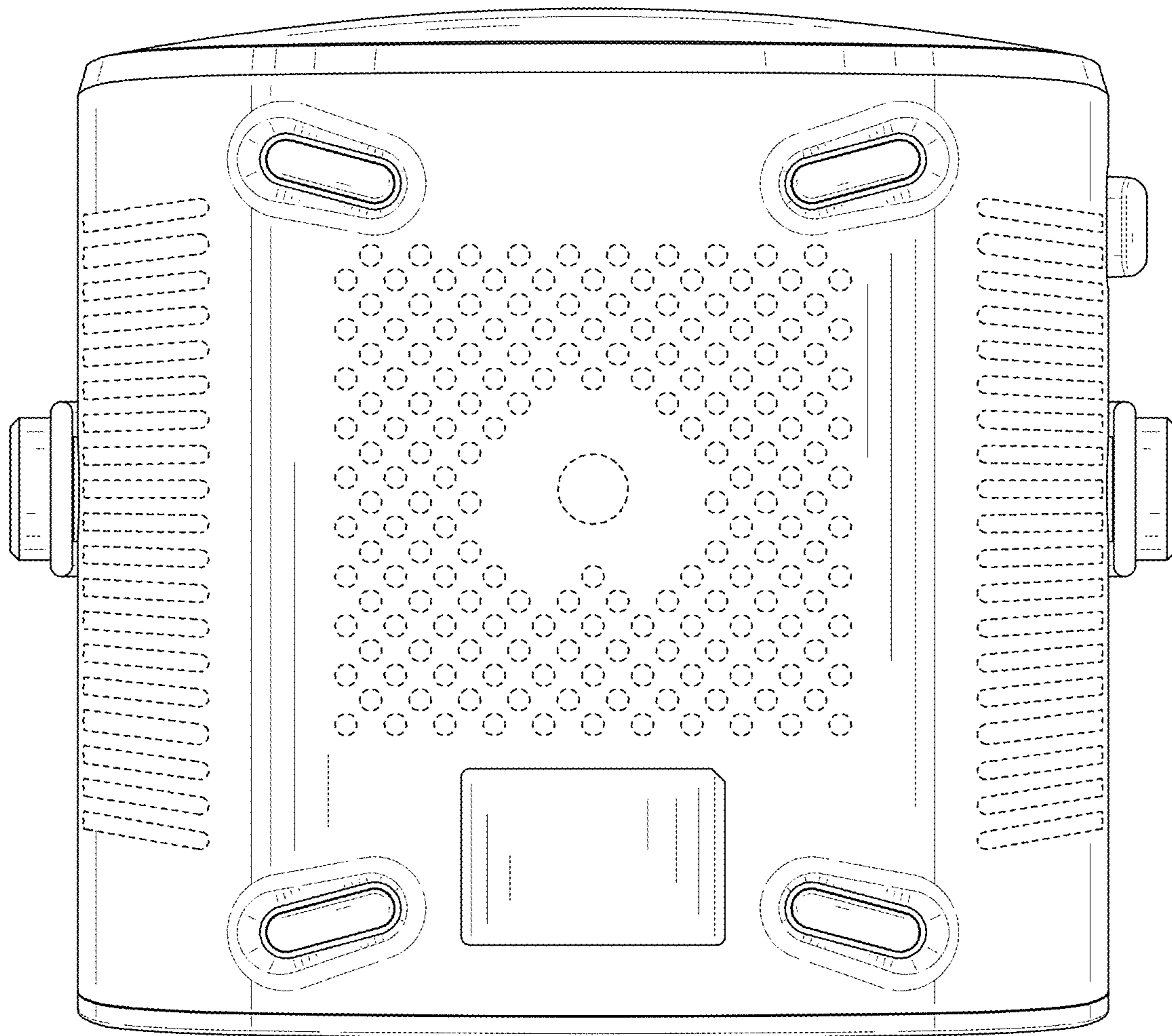


FIG. 8

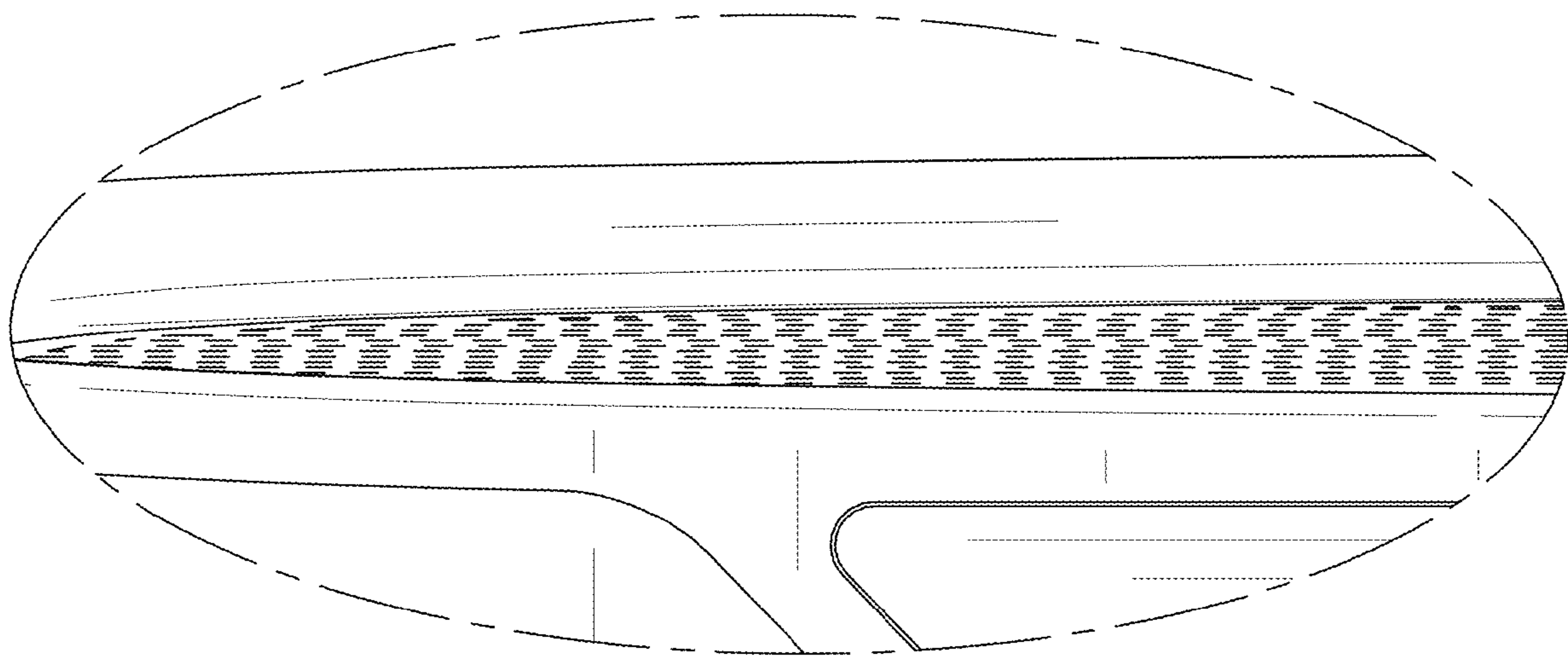


FIG. 9