



US00D919691S

(12) **United States Design Patent**  
**Yang et al.**

(10) **Patent No.:** **US D919,691 S**  
(45) **Date of Patent:** **\*\* May 18, 2021**

(54) **CAR CAMERA RECORDER**

(71) Applicant: **Aukey Technology Co., Ltd**, Shenzhen (CN)

(72) Inventors: **Xi Yang**, Shenzhen (CN); **Haizhuan Lu**, Shenzhen (CN)

(73) Assignee: **Aukey Technology Co., Ltd**, Shenzhen (CN)

(\*\*) Term: **15 Years**

(21) Appl. No.: **29/717,759**

(22) Filed: **Dec. 19, 2019**

(30) **Foreign Application Priority Data**

Oct. 15, 2019 (EM) ..... 007021431

(51) **LOC (13) Cl.** ..... **16-01**

(52) **U.S. Cl.**  
USPC ..... **D16/208**

(58) **Field of Classification Search**

USPC ..... D16/200–204, 208, 218, 219;  
D12/187–189, 400; 348/143, 148, 151,  
348/360, 373–376; 396/419, 427–429,  
396/433, 529, 535, 537–541; 340/932.2,  
340/933, 937

CPC ..... G03B 15/03; G03B 17/02; G03B 17/04;  
G03B 17/48; G03B 17/56; G03B 19/04;  
G08G 1/0175; H04N 5/2251; H04N  
5/2252; H04N 5/2253; H04N 5/2254

See application file for complete search history.

(56) **References Cited**

**U.S. PATENT DOCUMENTS**

D410,663 S \* 6/1999 Ogasawara ..... D16/202  
D463,809 S \* 10/2002 Lo ..... D16/202

D523,457 S *	6/2006	Tan	.....	D16/202
D628,221 S *	11/2010	Chen	.....	D16/202
D747,386 S *	1/2016	Li	.....	D16/208
D808,455 S *	1/2018	Lee	.....	D16/202
D848,508 S *	5/2019	Hsu	.....	D16/218
D849,098 S *	5/2019	Kapuria	.....	D16/208
D884,053 S *	5/2020	Lee	.....	D16/208
D887,473 S *	6/2020	Park	.....	D16/203
D904,486 S *	12/2020	Xiong	.....	D16/208
D904,487 S *	12/2020	Xiong	.....	D16/208
D907,098 S *	1/2021	Xiong	.....	D16/208

\* cited by examiner

*Primary Examiner* — Ramzi S Almatrahi

(74) *Attorney, Agent, or Firm* — Westbridge IP LLC

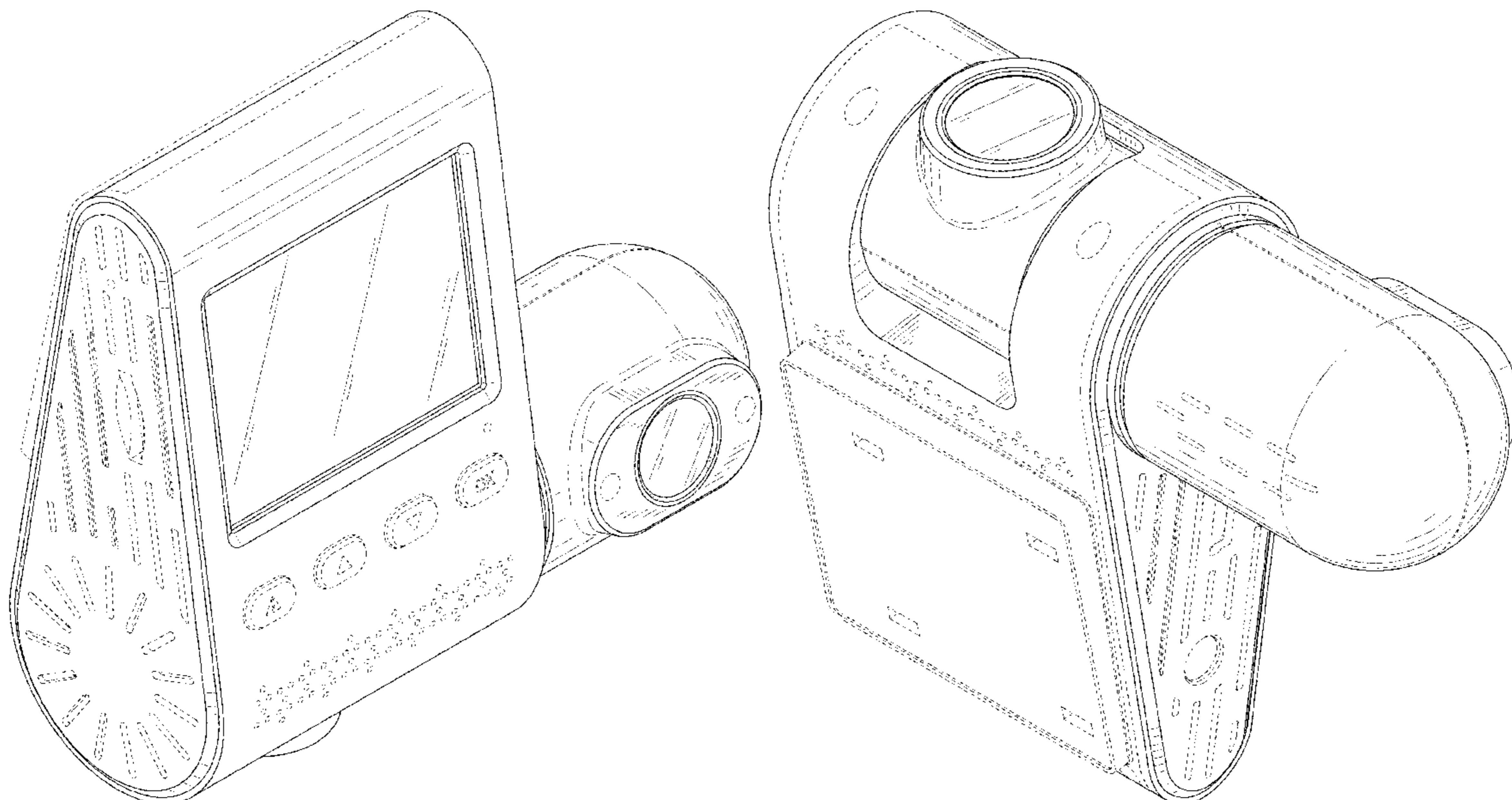
(57) **CLAIM**

The ornamental design for a car camera recorder, as shown and described.

**DESCRIPTION**

FIG. 1 is a front, left, and top perspective view of a car camera recorder showing our new design; FIG. 2 is a rear, right, and bottom perspective view thereof; FIG. 3 is a front elevational view thereof; FIG. 4 is a rear elevational view thereof; FIG. 5 is a left side elevational view thereof; FIG. 6 is a right side elevational view thereof; FIG. 7 is a top plan view thereof; FIG. 8 is a bottom plan view thereof; FIG. 9 is a front, left and top perspective view of the car camera recorder shown in condition of use with the lens portion rotated; and, FIG. 10 is a front, left and top perspective view thereof, shown with the lens portion rotated in an alternate position. The broken lines depict portions of the car camera recorder in which the design is embodied that form no part of the claimed design.

**1 Claim, 10 Drawing Sheets**



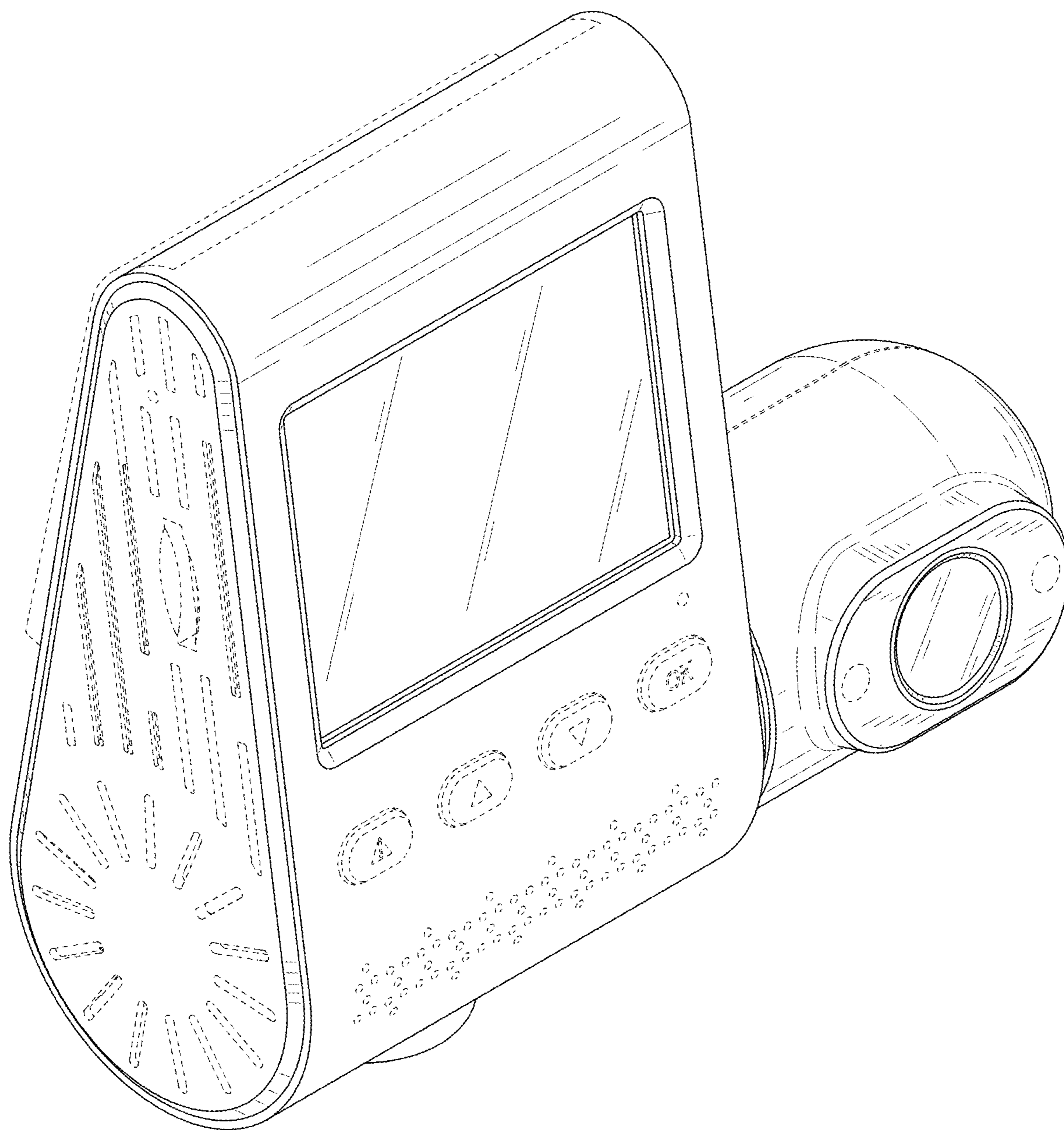


FIG. 1

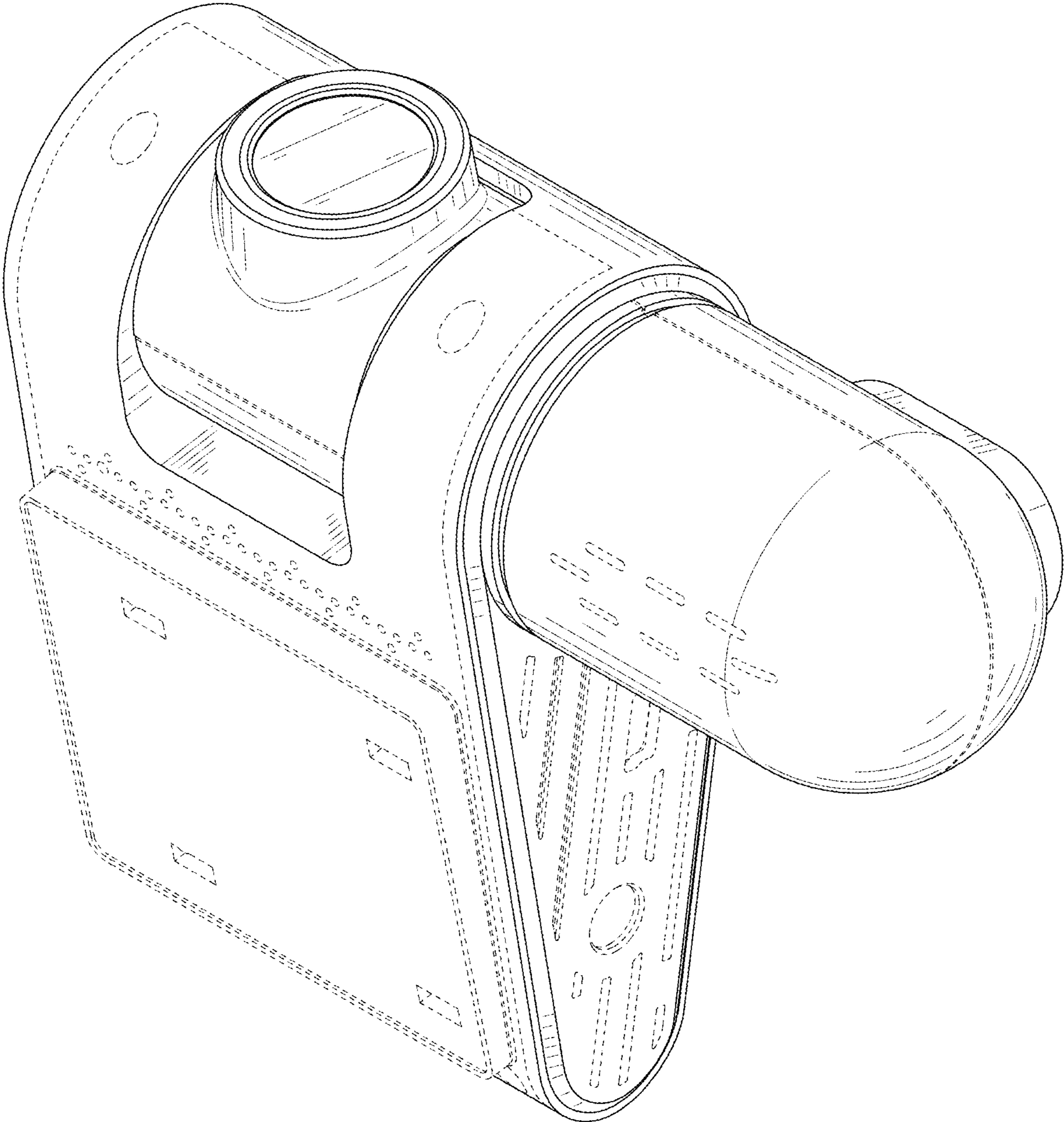


FIG. 2

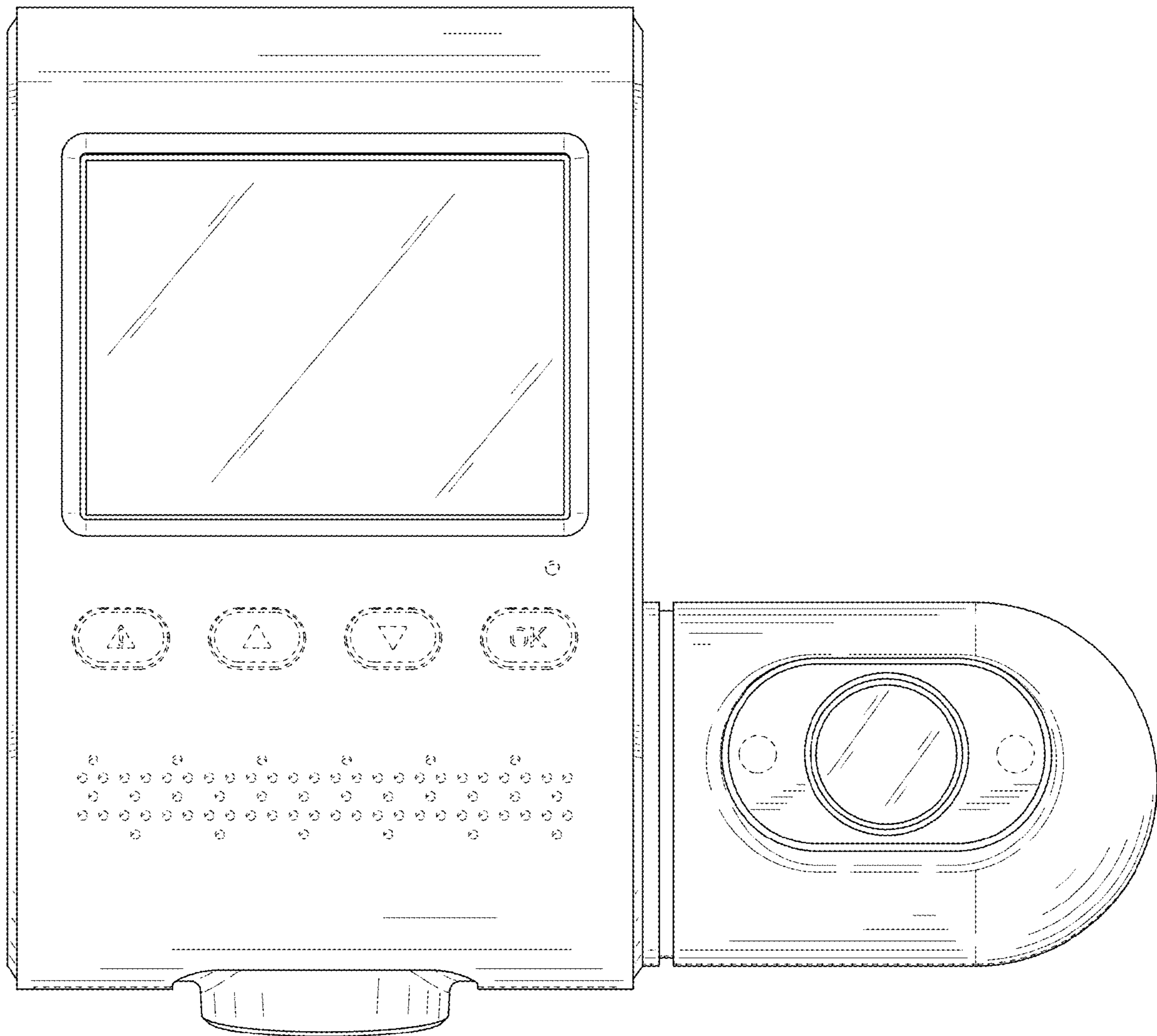


FIG. 3

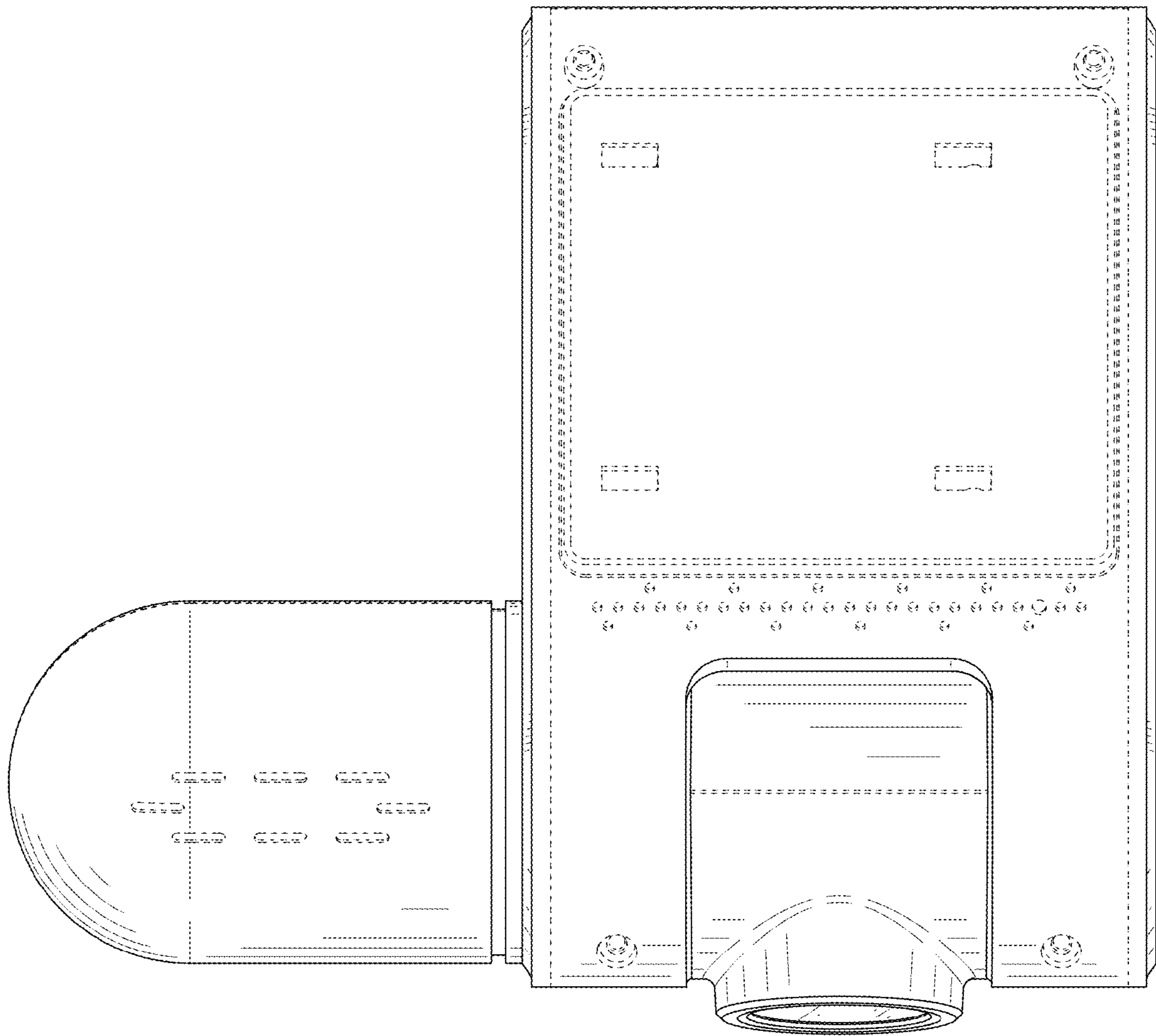


FIG. 4

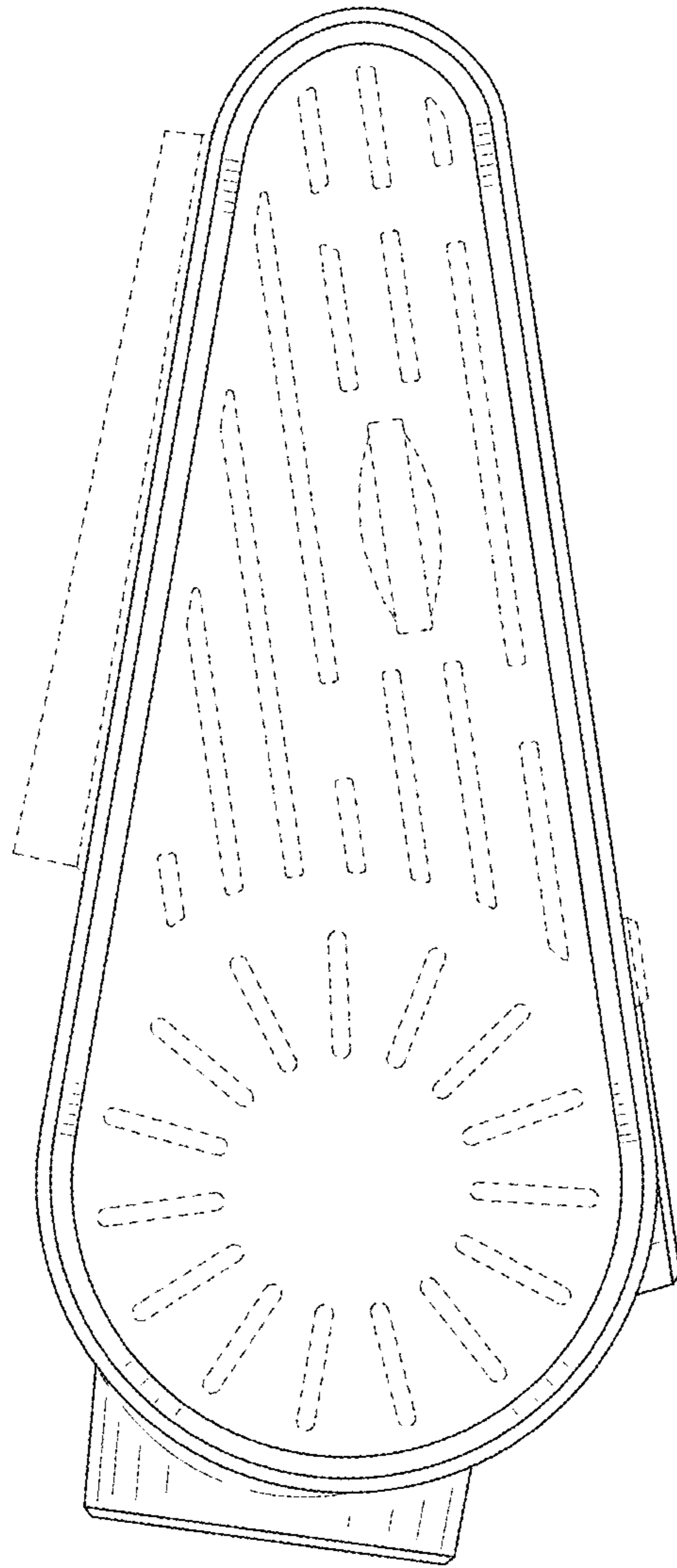


FIG. 5

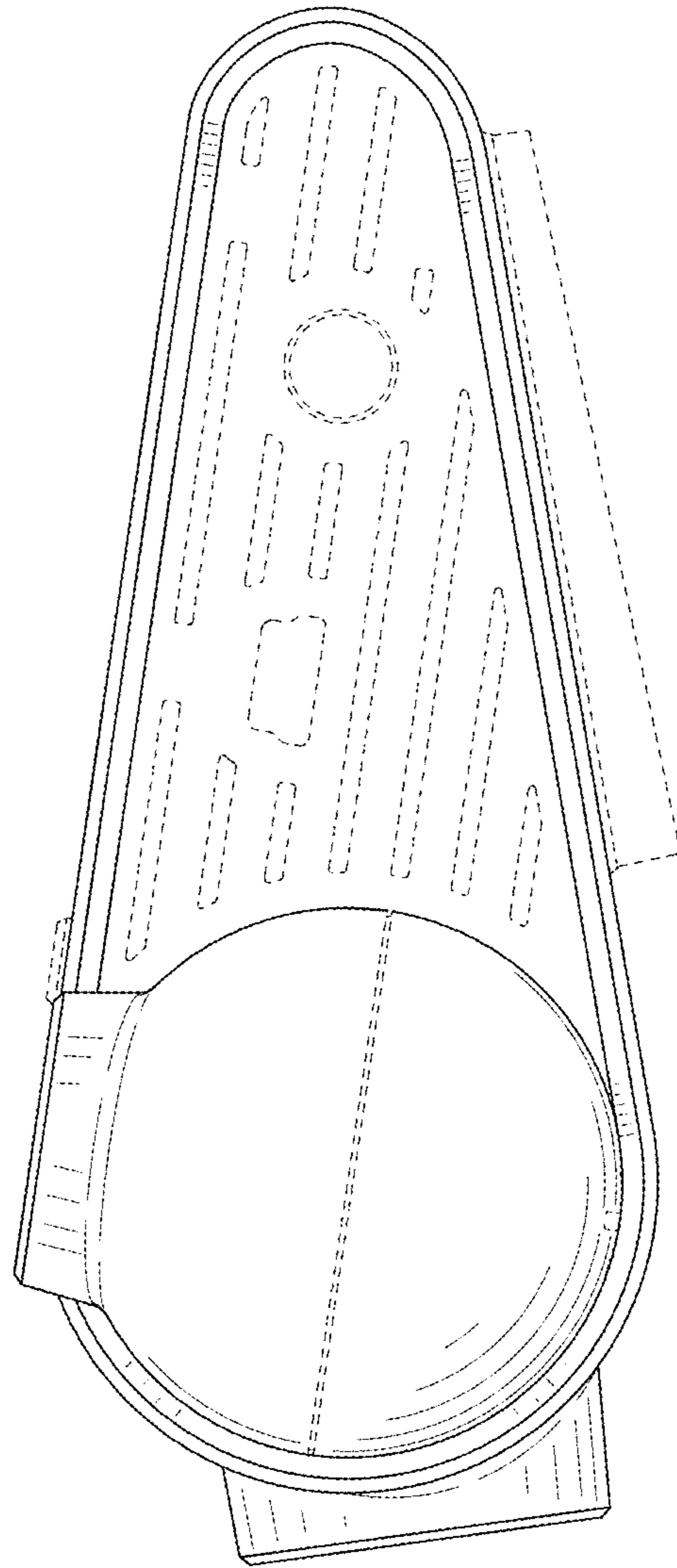


FIG. 6

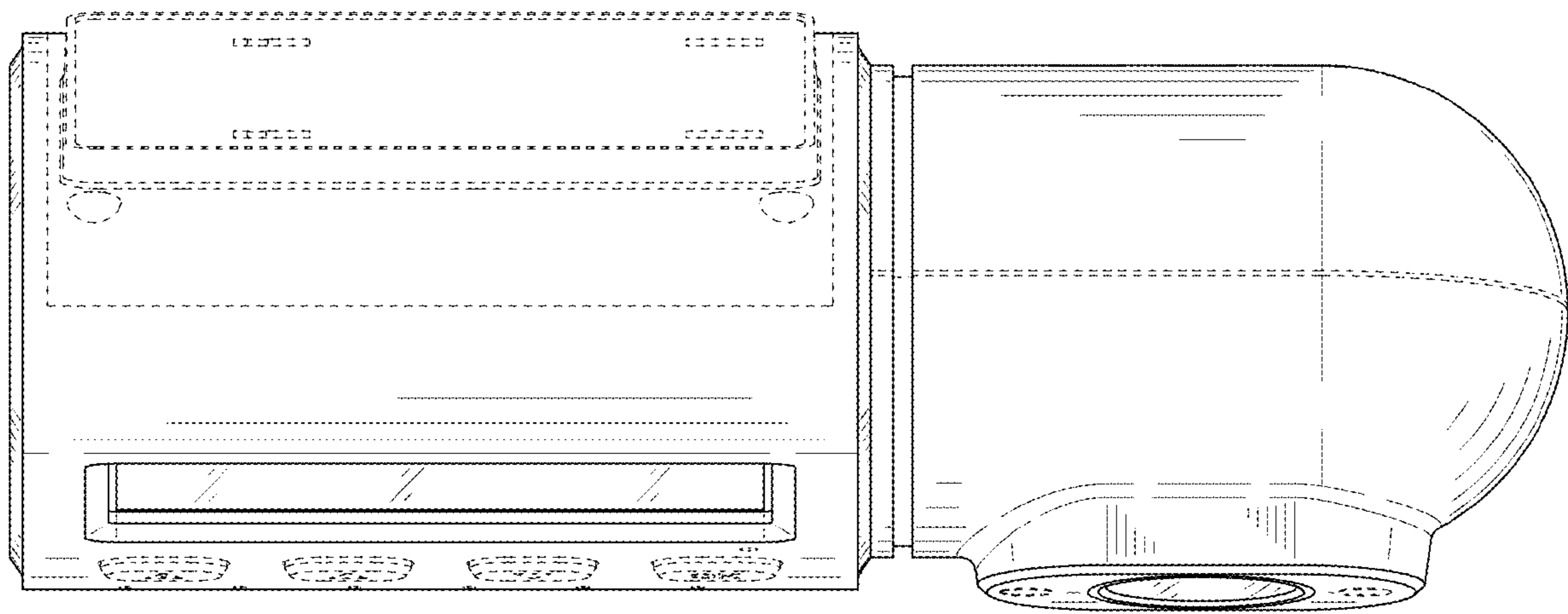


FIG. 7



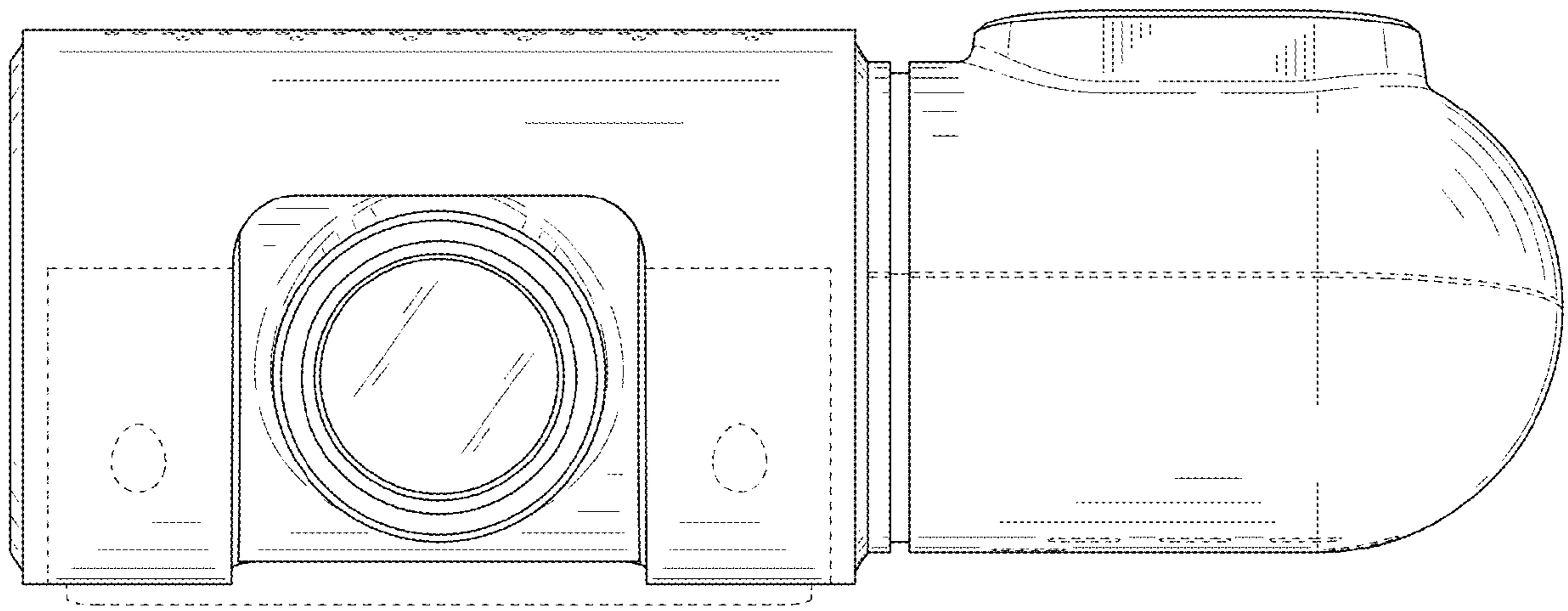


FIG. 8

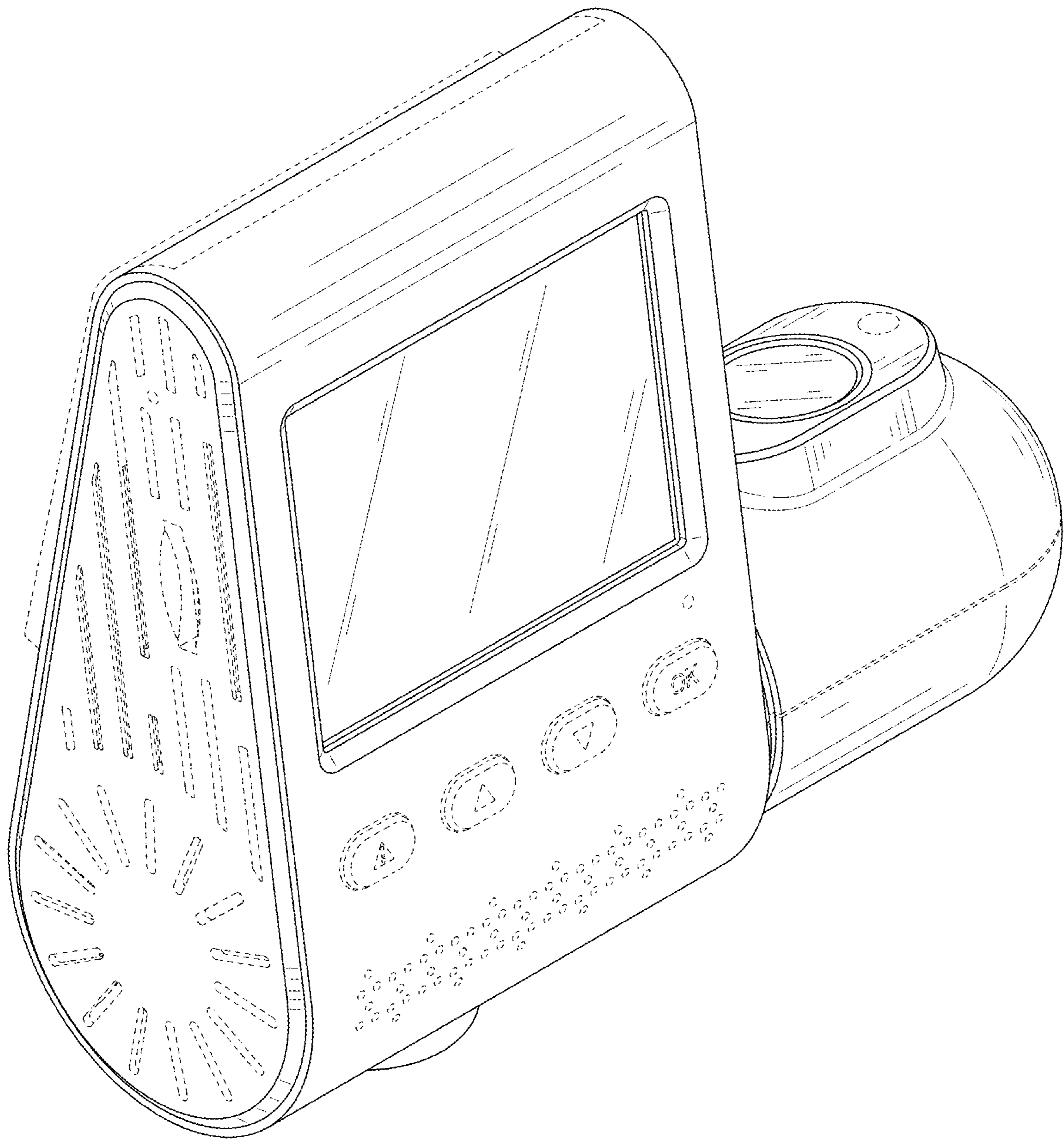


FIG. 9

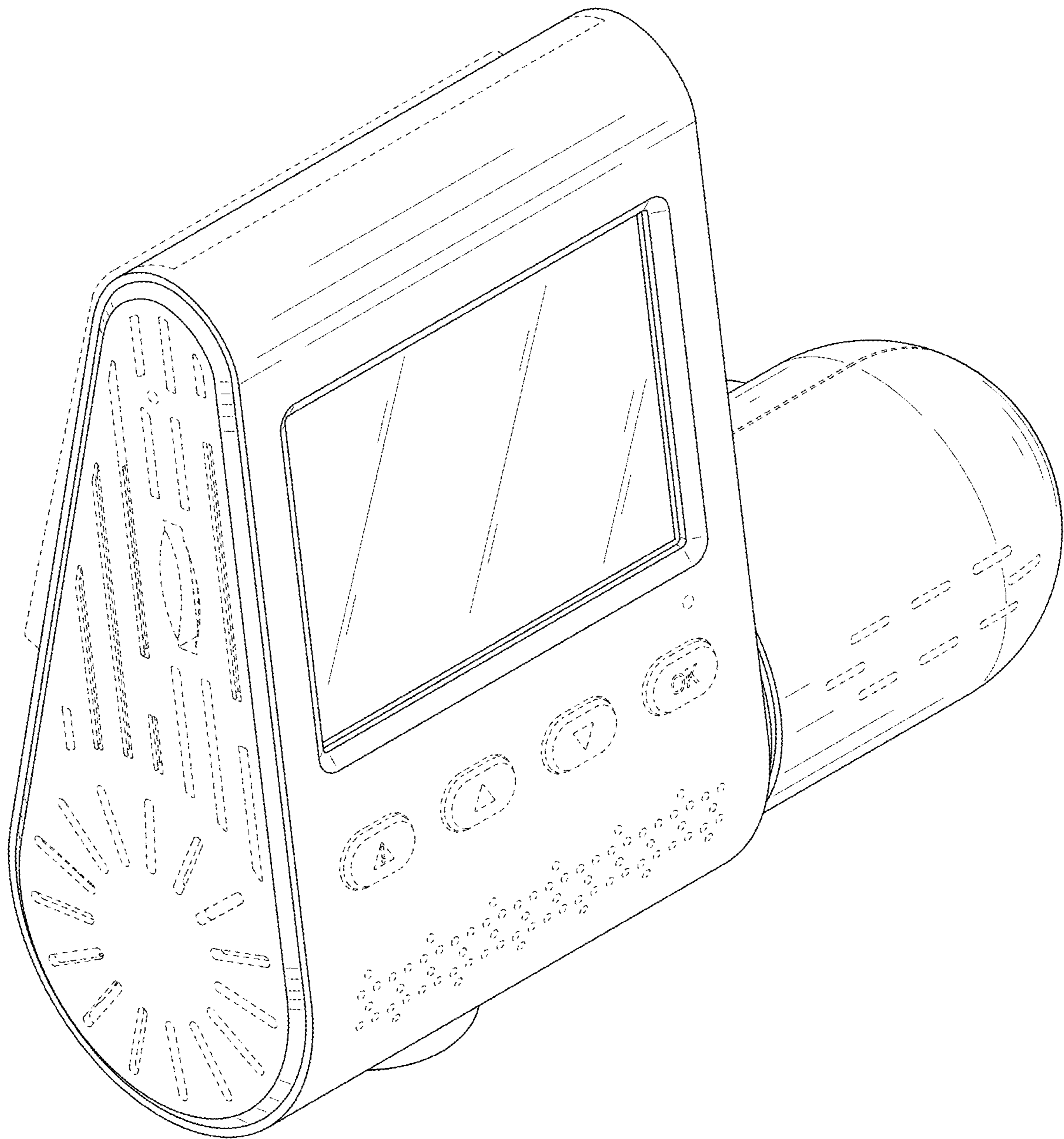


FIG. 10