



US00D919690S

(12) **United States Design Patent** (10) **Patent No.:** **US D919,690 S**
Suurmeijer et al. (45) **Date of Patent:** **** May 18, 2021**

(54) **HANDHELD ACOUSTIC IMAGER**
(71) Applicant: **Fluke Corporation**, Everett, WA (US)
(72) Inventors: **Christian P. Suurmeijer**, Almelo (NL);
Jaap ter Keurs, Almelo (NL); **Scott M. Tsukamaki**, Kirkland, WA (US);
Nelson M. Abaga, Lake Stevens, WA (US); **Paul A. Richer**, Everett, WA (US)
(73) Assignee: **Fluke Corporation**, Everett, WA (US)
(**) Term: **15 Years**
(21) Appl. No.: **29/761,283**
(22) Filed: **Dec. 8, 2020**

Related U.S. Application Data

(62) Division of application No. 29/691,856, filed on May 20, 2019, now Pat. No. Des. 907,097.
(51) **LOC (13) Cl.** **16-01**
(52) **U.S. Cl.**
USPC **D16/206**; D16/218
(58) **Field of Classification Search**
USPC D16/200, 202–206, 218, 219, 242;
D10/57, 70; 348/143, 148, 151, 164,
348/373–376; 396/419, 427, 535,
396/539–541
CPC G03B 17/02; G03B 19/04; G03B 17/56;
G03B 17/04; G03B 15/03; H04N 5/2251;
H04N 5/2252; H04N 5/2253; H04N
5/2254; H04N 7/181; H04N 7/183; H04N
7/18; G08B 13/1963; G08B 13/19619;
G08B 13/19632
See application file for complete search history.

(56) **References Cited**
U.S. PATENT DOCUMENTS
D579,475 S 10/2008 Aronsson
D598,038 S 8/2009 Takahashi
D616,008 S 5/2010 Enervold
D713,439 S 9/2014 Zhang
D718,801 S 12/2014 Zetterlund
D753,208 S * 4/2016 Elrod D16/208
D758,468 S 6/2016 Darty et al.
D817,377 S 5/2018 Nichol et al.
D835,698 S 12/2018 Darty et al.
D849,087 S 5/2019 Li
D849,105 S 5/2019 Högstedt et al.
D862,559 S 10/2019 Johansson et al.
D865,835 S 11/2019 Fidler
D865,836 S 11/2019 Puusaari
D874,544 S * 2/2020 Marzette, Jr. D16/218
D894,990 S * 9/2020 Petty D16/202
D897,404 S * 9/2020 Marzette, Jr. D16/218
(Continued)

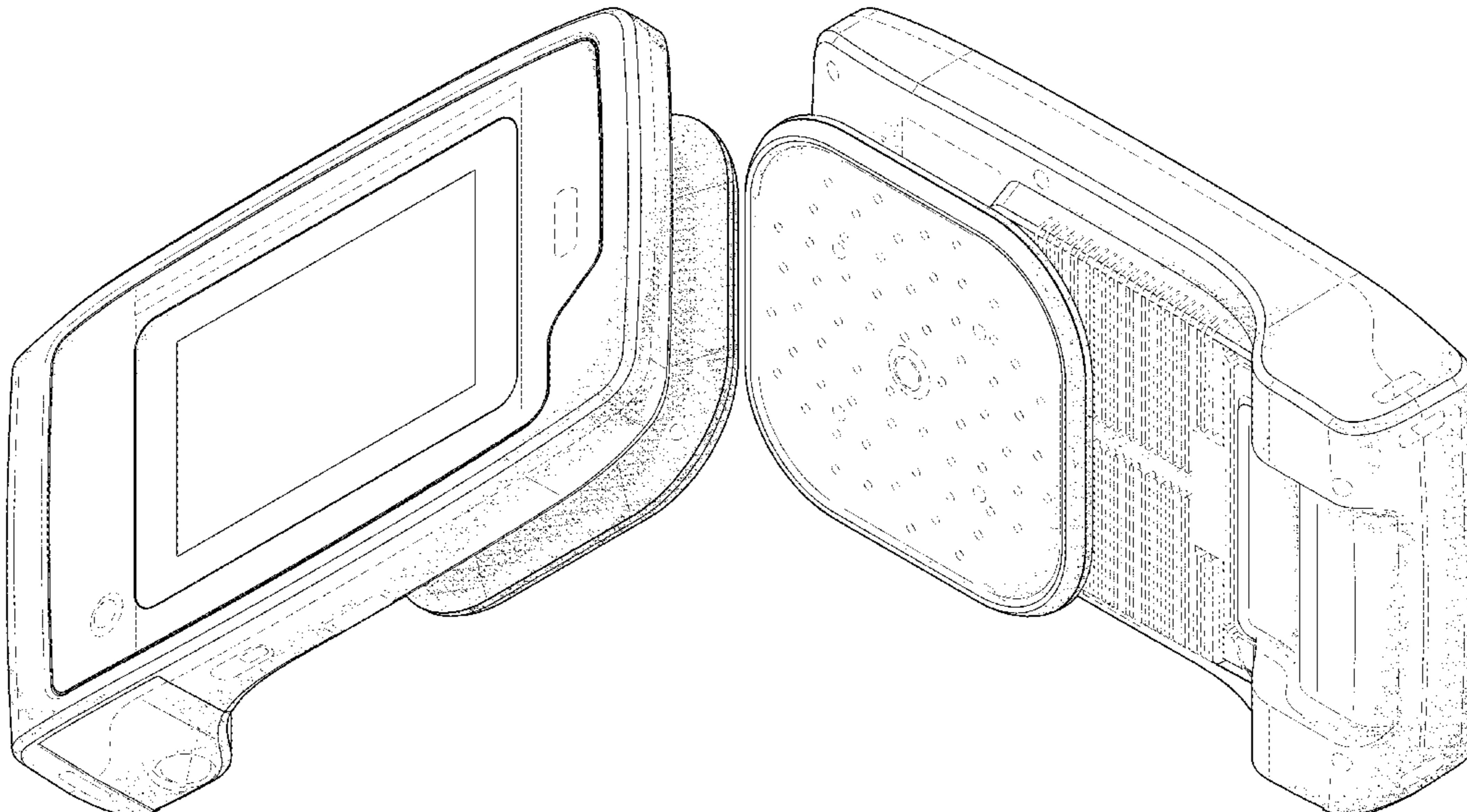
Primary Examiner — Ramzi S Almatrahi
(74) *Attorney, Agent, or Firm* — Seed Intellectual Property Law Group LLP

(57) **CLAIM**
The ornamental design for a handheld acoustic imager, as shown and described.

DESCRIPTION

FIG. 1 is a bottom, front and right side perspective view of a handheld acoustic imager showing our new design; FIG. 2 is a top, rear and left side perspective view thereof; FIG. 3 is a front elevation view thereof; FIG. 4 is a rear elevation view thereof; FIG. 5 is a top plan view thereof; FIG. 6 is a bottom plan view thereof; FIG. 7 is a right side elevation view thereof; and, FIG. 8 is a left side elevation view thereof. The features in broken lines are shown for the purpose of illustrating portions of the handheld acoustic imager that form no part of the claimed design.

1 Claim, 8 Drawing Sheets



(56)

References Cited

U.S. PATENT DOCUMENTS

D898,799 S * 10/2020 Minamide D16/202
D905,781 S * 12/2020 Liu D16/218
D907,100 S * 1/2021 Larsen D16/218

* cited by examiner

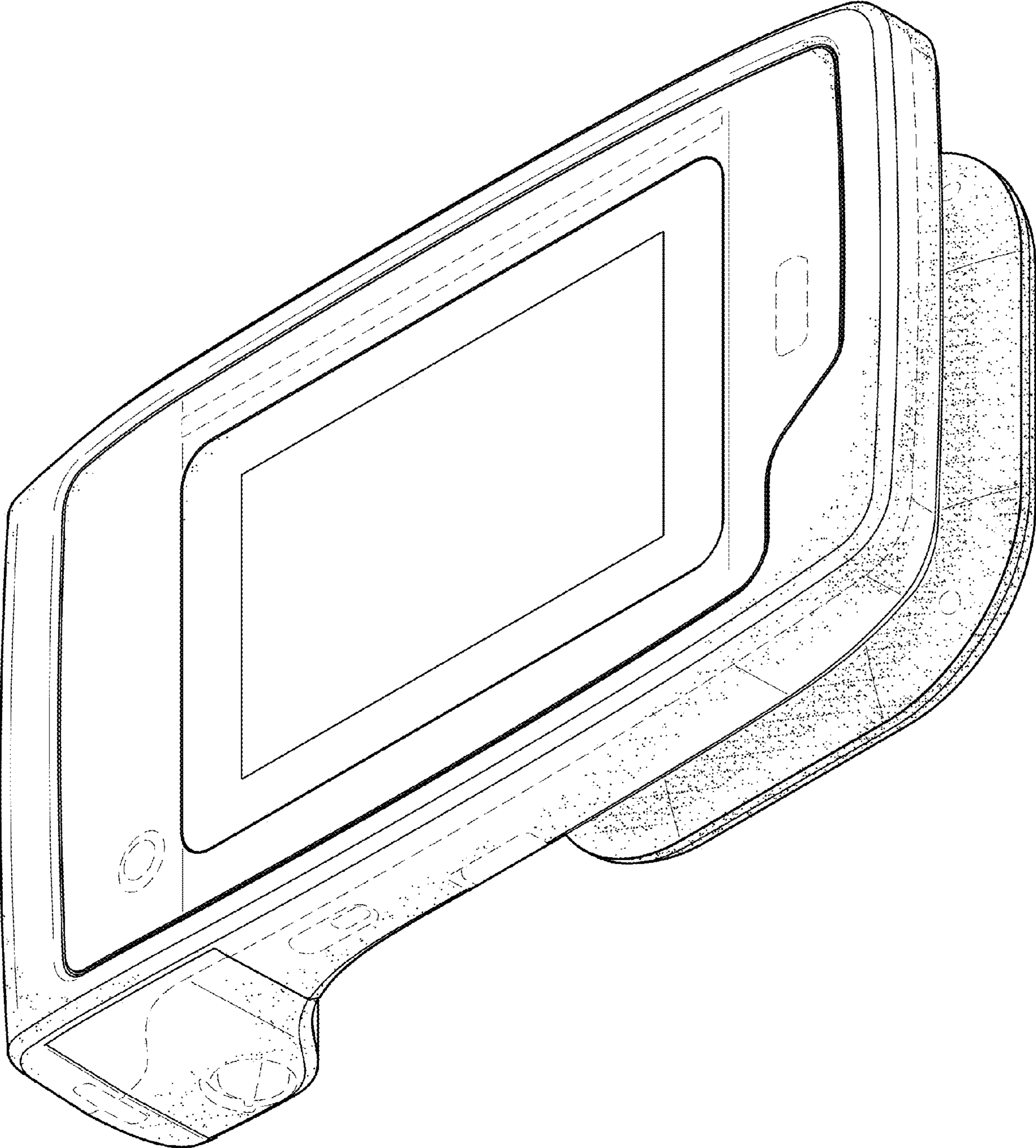


FIG. 1

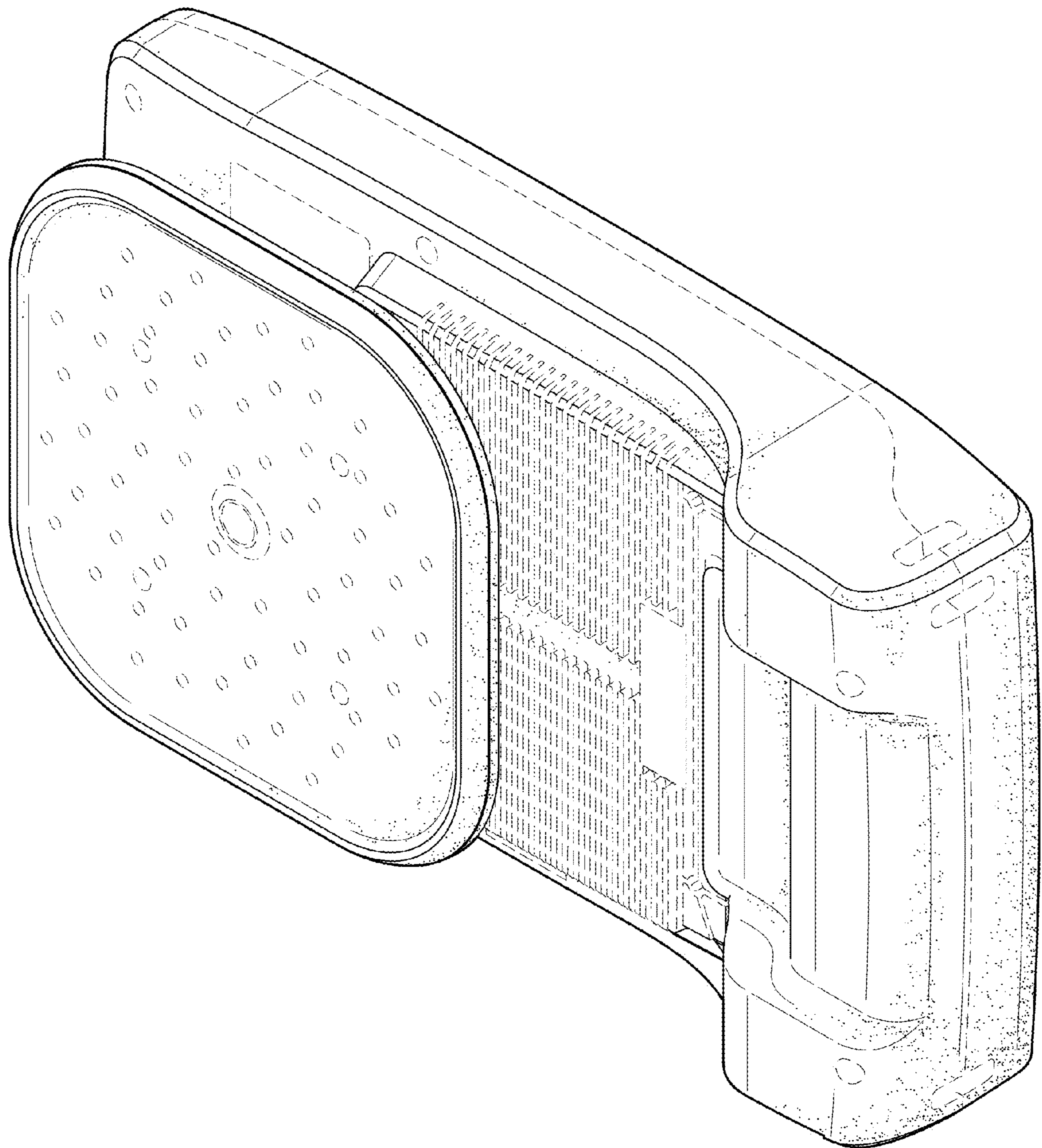


FIG. 2

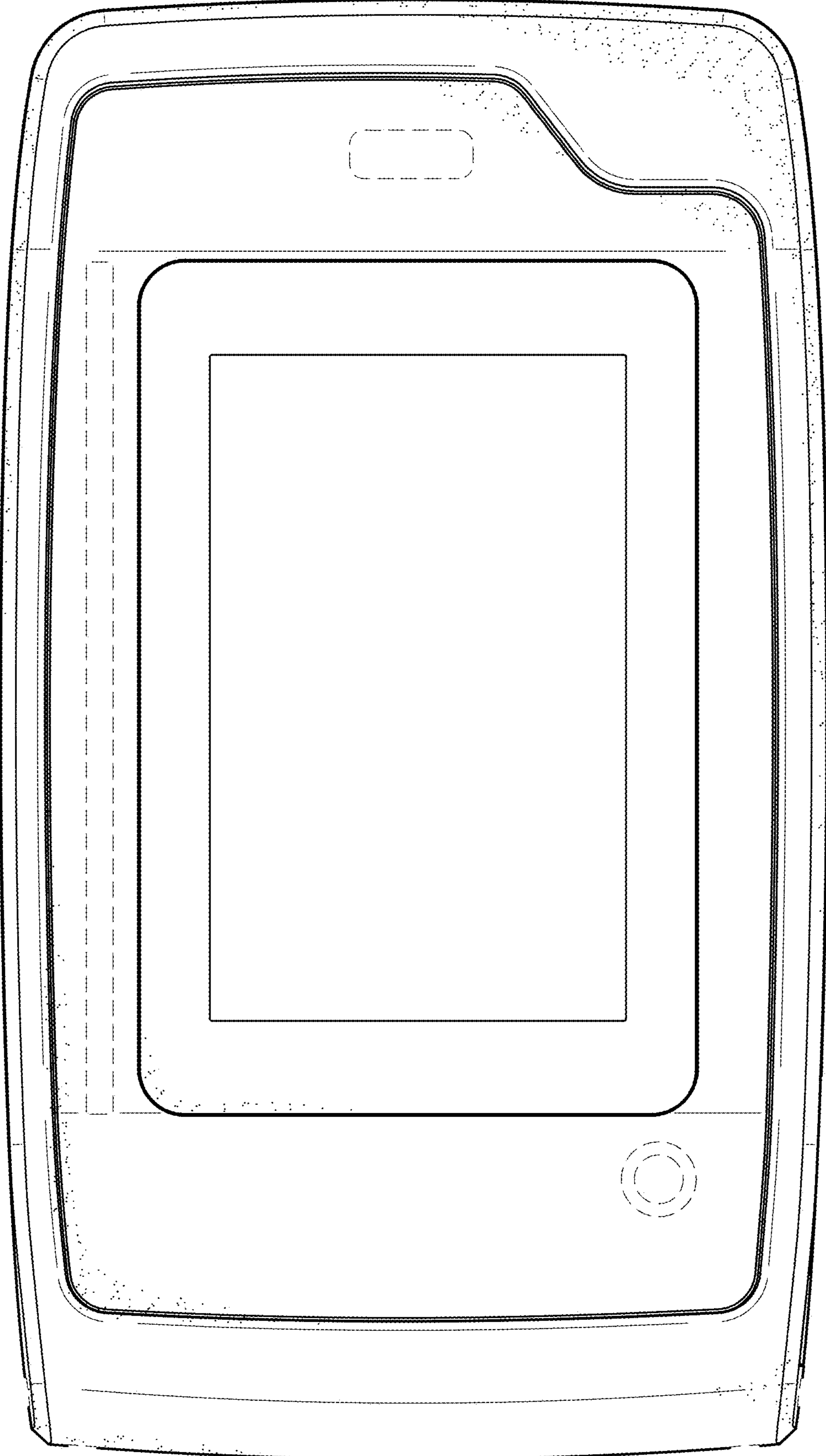


FIG. 3

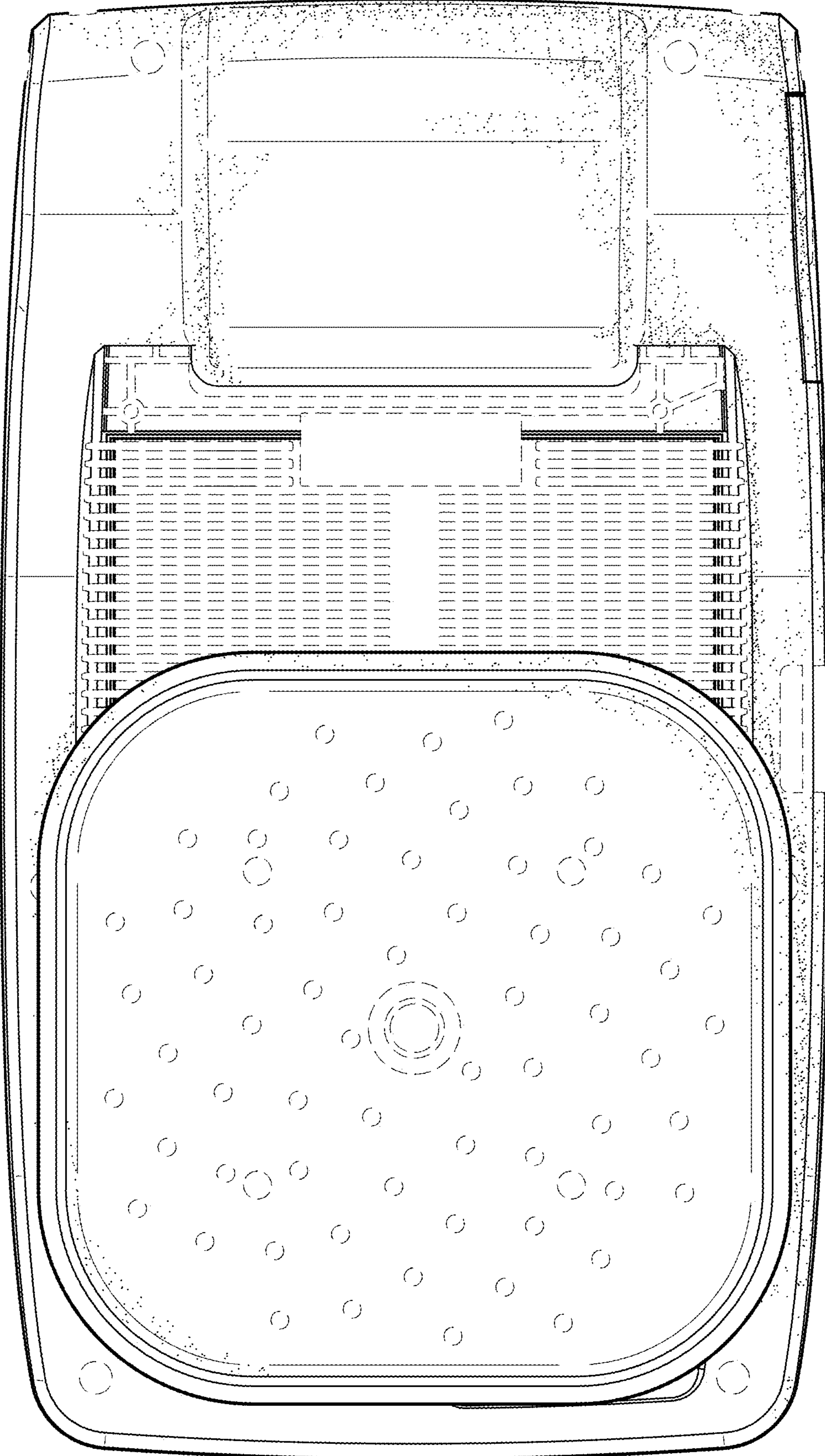


FIG. 4

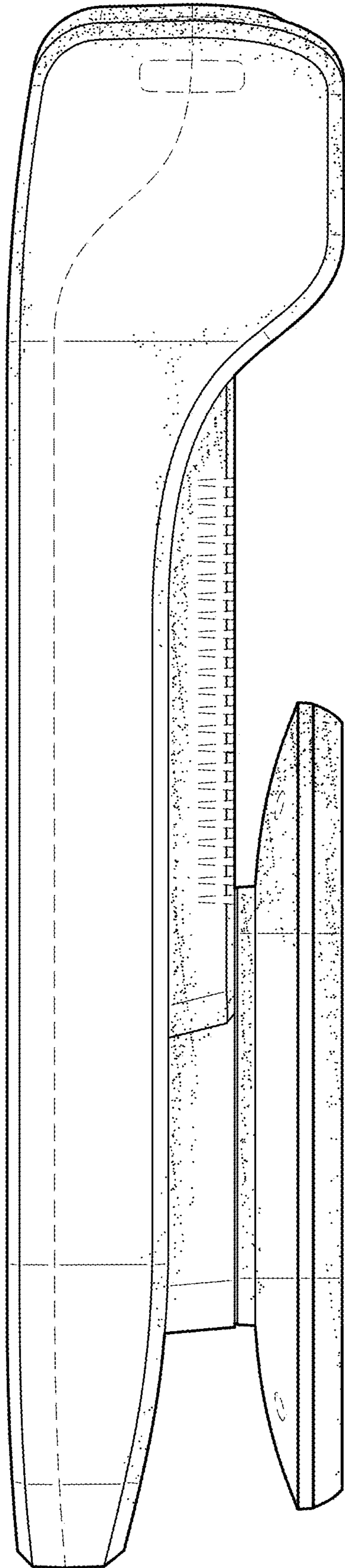


FIG. 5

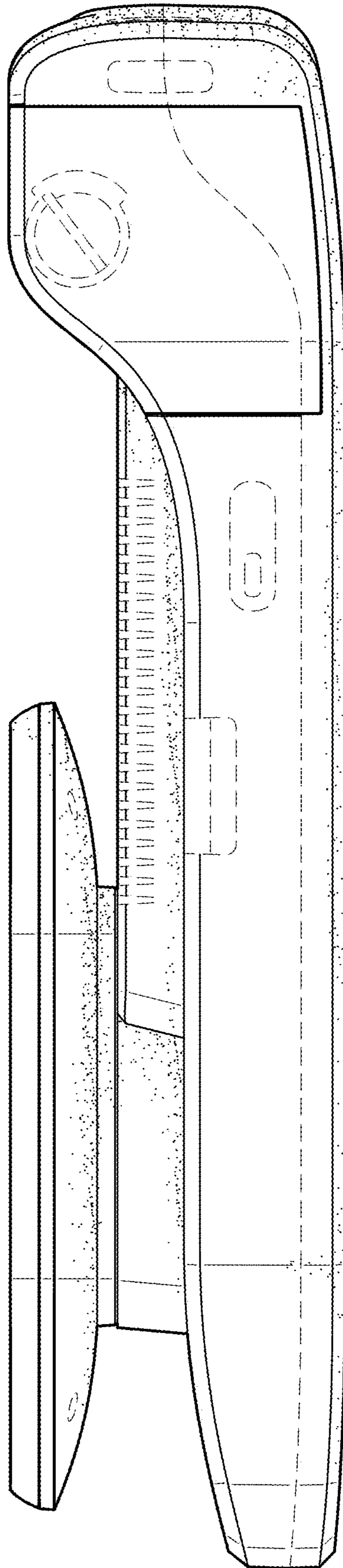


FIG. 6

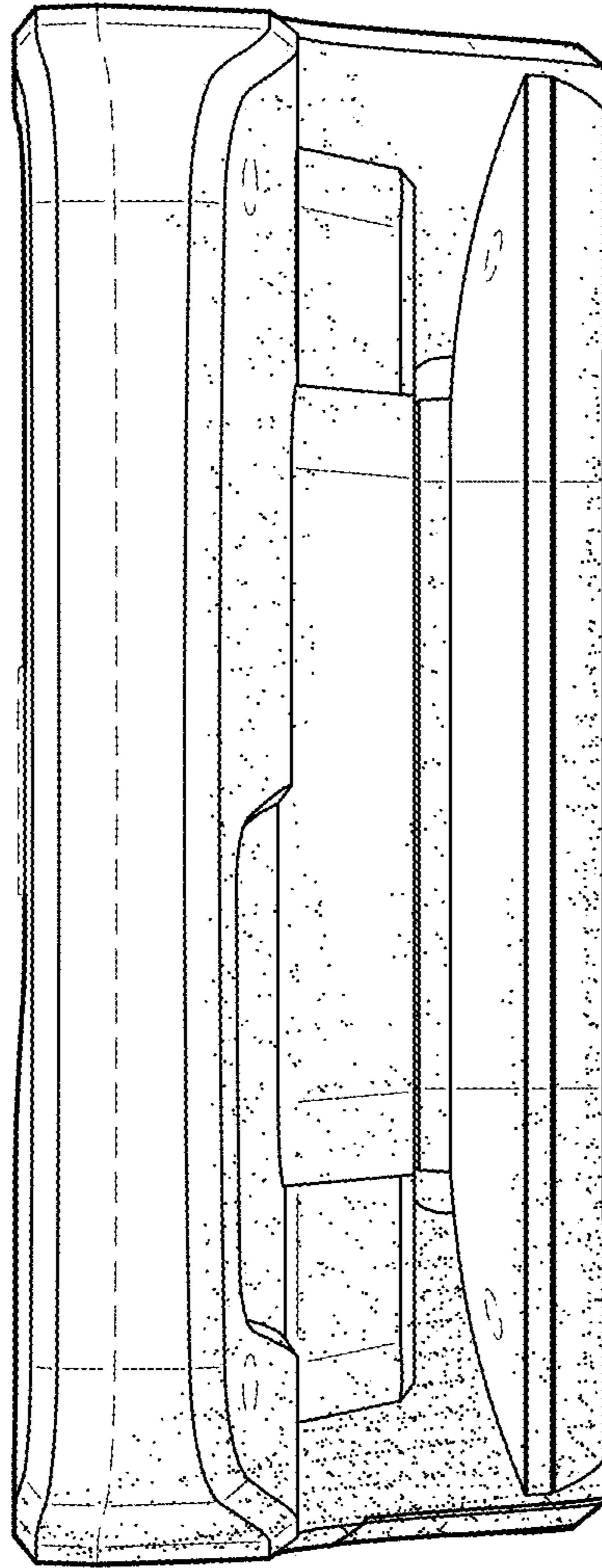


FIG. 7

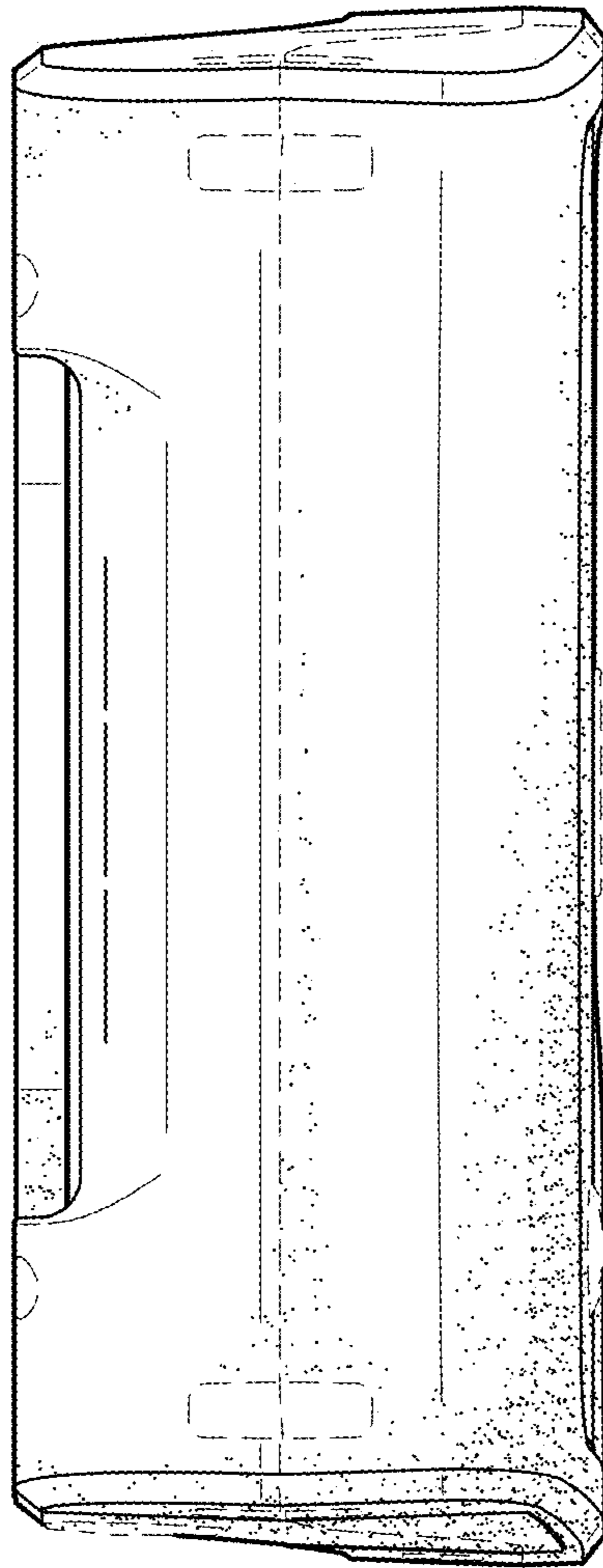


FIG. 8