



US00D919689S

(12) **United States Design Patent** (10) **Patent No.:** **US D919,689 S**  
**Hsieh et al.** (45) **Date of Patent:** **\*\* May 18, 2021**

(54) **LENS FOR INFRARED IMAGING**

G01C 3/24; G01C 3/26; G01C 3/28;  
G01C 3/30; G01C 3/32

(71) Applicant: **LARGAN PRECISION CO., LTD.**,  
Taichung (TW)

See application file for complete search history.

(72) Inventors: **Tung-Yi Hsieh**, Taichung (TW);  
**Wei-Yu Chen**, Taichung (TW)

(56) **References Cited**

(73) Assignee: **LARGAN PRECISION CO., LTD.**,  
Taichung (CN)

U.S. PATENT DOCUMENTS

(\*\*) Term: **15 Years**

D303,833 S *	10/1989	Spector	.....	D23/366
D341,382 S *	11/1993	Deming	.....	D21/304
D349,305 S *	8/1994	Diehl	.....	D21/376
D448,622 S *	10/2001	Horvat	.....	D7/501
D453,521 S *	2/2002	Haruna	.....	D14/478
D478,253 S *	8/2003	Maier-Aichen	.....	D7/584
D520,133 S *	5/2006	Cooper	.....	D23/393
D549,711 S *	8/2007	Hakoyama	.....	D14/478
D608,594 S *	1/2010	Weber	.....	D7/584
D612,880 S *	3/2010	Peng	.....	D16/101
D622,898 S *	8/2010	Chen	.....	D26/124
D634,882 S *	3/2011	Kim	.....	D26/120
D639,496 S *	6/2011	Wada	.....	D26/120

(21) Appl. No.: **29/565,973**

(22) Filed: **May 26, 2016**

(51) **LOC (13) Cl.** ..... **16-06**

(52) **U.S. Cl.**  
USPC ..... **D16/134**

(58) **Field of Classification Search**  
USPC ..... D7/576, 505, 555, 586, 584, 624.2,  
D7/553.4, 553.5, 553.6, 367, 554.2, 501;  
D21/304, 376, 386; D22/113; D23/386,  
D23/393, 366; D24/216, 225; D26/120,  
D26/113, 124; D8/321; D9/418;  
D1/106; D11/184; D13/183; D14/478;  
D15/126; D16/101, 200, 213, 216, 217,  
D16/218, 219, 220, 134, 135, 136;  
D10/103

CPC ..... G02B 23/00; G02B 23/02; G02B 23/12;  
G02B 23/16; G02B 7/04; F41G 3/06;  
F41G 3/00; F41G 3/005; F41G 3/02;  
F41G 1/473; F41G 1/44; F41G 1/12;  
G01C 3/00; G01C 3/02; G01C 3/04;  
G01C 3/06; G01C 3/08; G01C 3/085;  
G01C 3/10; G01C 3/12; G01C 3/161;  
G01C 3/07; G01C 3/20; G01C 3/22;

(Continued)

*Primary Examiner* — Holly E Thurman

(74) *Attorney, Agent, or Firm* — CKC & Partners Co.,  
LLC

(57) **CLAIM**

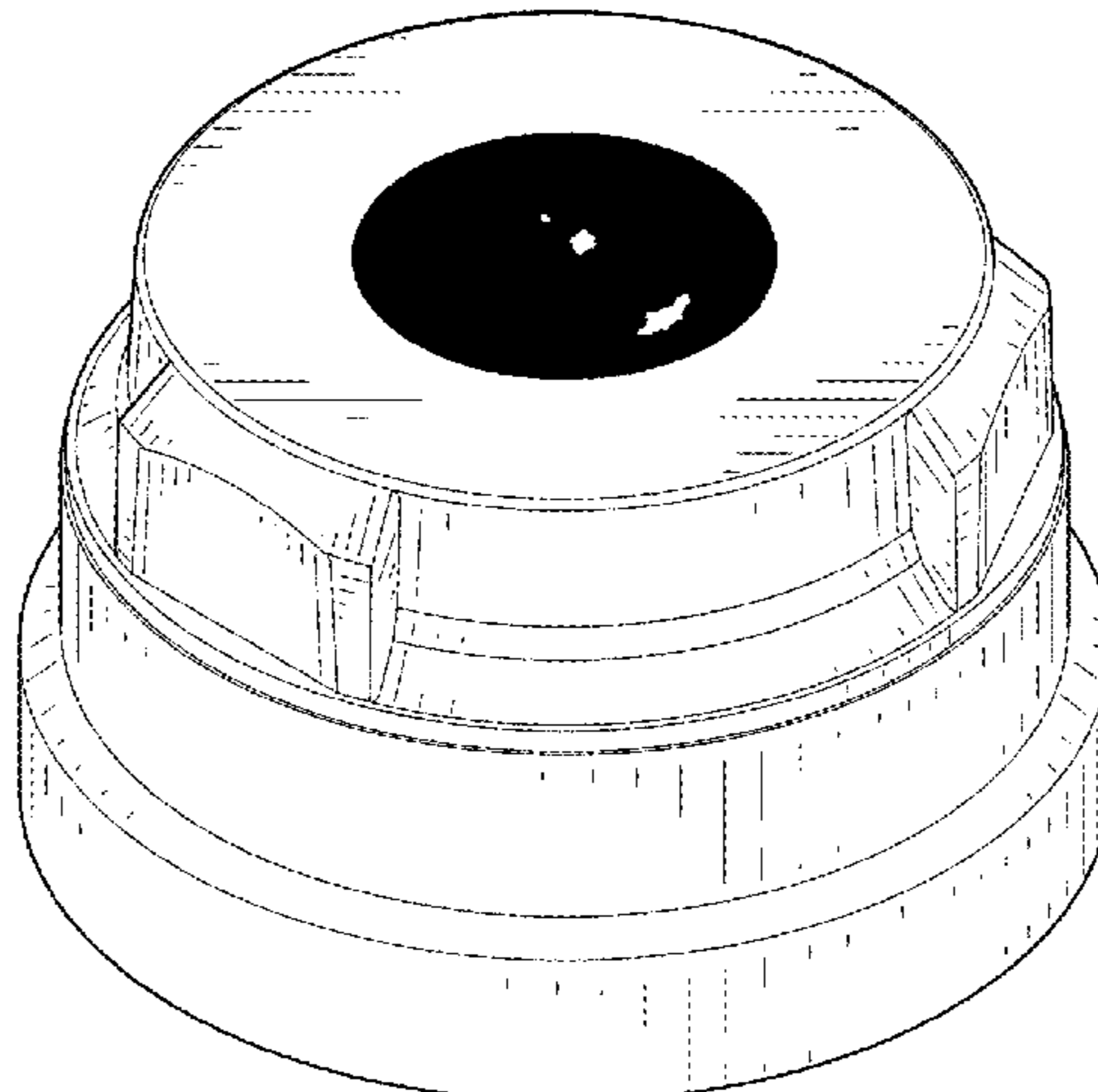
The ornamental design for a lens for infrared imaging, as  
shown and described.

**DESCRIPTION**

FIG. 1 is a perspective view of a first embodiment of the lens  
for infrared imaging showing our new design;  
FIG. 2 is a front view of FIG. 1;  
FIG. 3 is a rear view of FIG. 1;  
FIG. 4 is a left side view of FIG. 1;  
FIG. 5 is a right side view of FIG. 1;  
FIG. 6 is a top view of FIG. 1;  
FIG. 7 is a bottom view of FIG. 1;  
FIG. 8 is a perspective view of a second embodiment of the  
lens for infrared imaging showing our new design; and,  
FIG. 9 is a front view of FIG. 8.

The portions shown in broken lines in the drawings depict  
environmental subject matter only and form no part of the  
claimed design.

(Continued)



The portions shown in black in the FIGS. 1, 2, 8 and 9 indicate the color black (PANTONE Proc. Black).

**1 Claim, 5 Drawing Sheets**

(56)

**References Cited**

U.S. PATENT DOCUMENTS

D646,122	S *	10/2011	Burns	.....	D7/505
D655,733	S *	3/2012	Huschka	.....	D16/101
D665,437	S *	8/2012	Johnson, Jr.	.....	D16/130
D672,050	S *	12/2012	Lee	.....	D24/216
D683,516	S *	6/2013	Elias	.....	D1/106
D684,821	S *	6/2013	Mariotti	.....	D7/586
D688,287	S *	8/2013	Huschka	.....	D16/101
8,842,376	B2 *	9/2014	Yang	.....	G02B 7/022 359/741
D742,265	S *	11/2015	Harck	.....	D10/103
D745,592	S *	12/2015	Oh	.....	D16/134
D750,728	S *	3/2016	Kremer	.....	D22/113
D753,736	S *	4/2016	Shinozaki	.....	D15/126
D763,658	S *	8/2016	Grasselli	.....	D8/321
D770,405	S *	11/2016	Esagoff	.....	D13/183
D774,894	S *	12/2016	Larson	.....	D9/418
9,671,610	B2 *	6/2017	Chou	.....	G02B 27/0018
D791,394	S *	7/2017	Rashidi Doust	.....	D26/113
D799,605	S *	10/2017	Fabien	.....	D21/386
2009/0050839	A1 *	2/2009	Chen	.....	B01J 13/04 252/62.58

\* cited by examiner

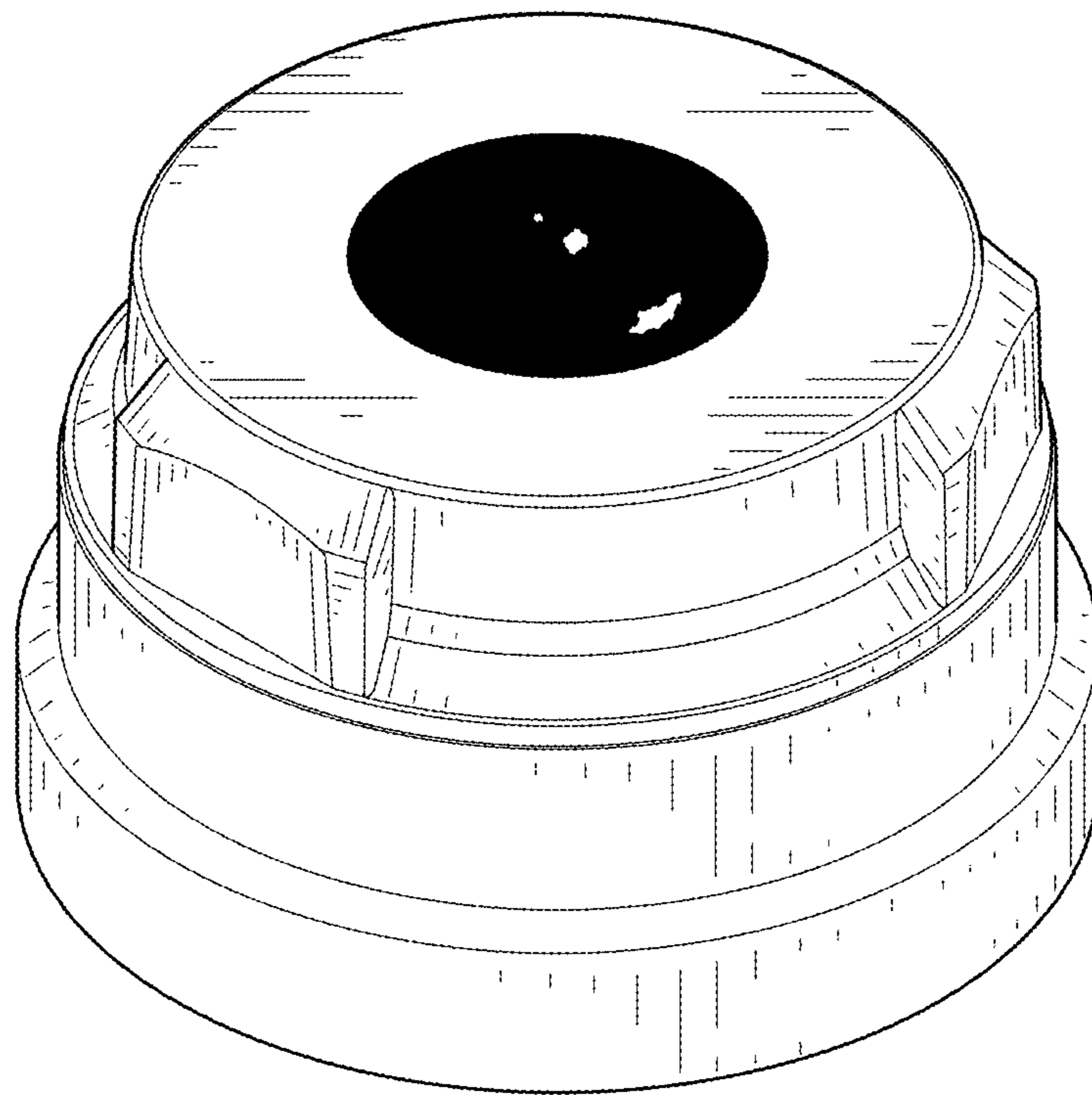


Fig. 1

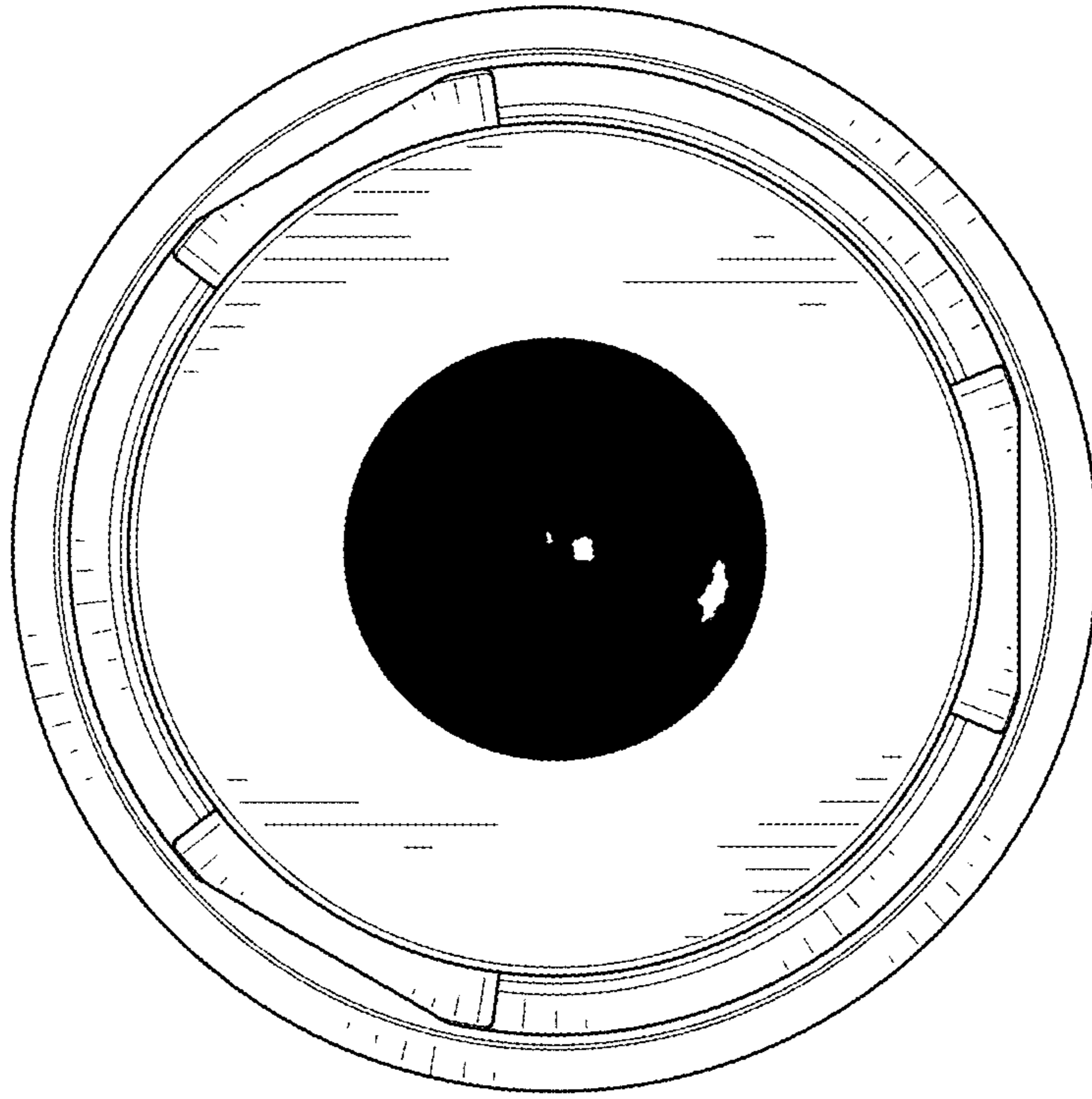


Fig. 2

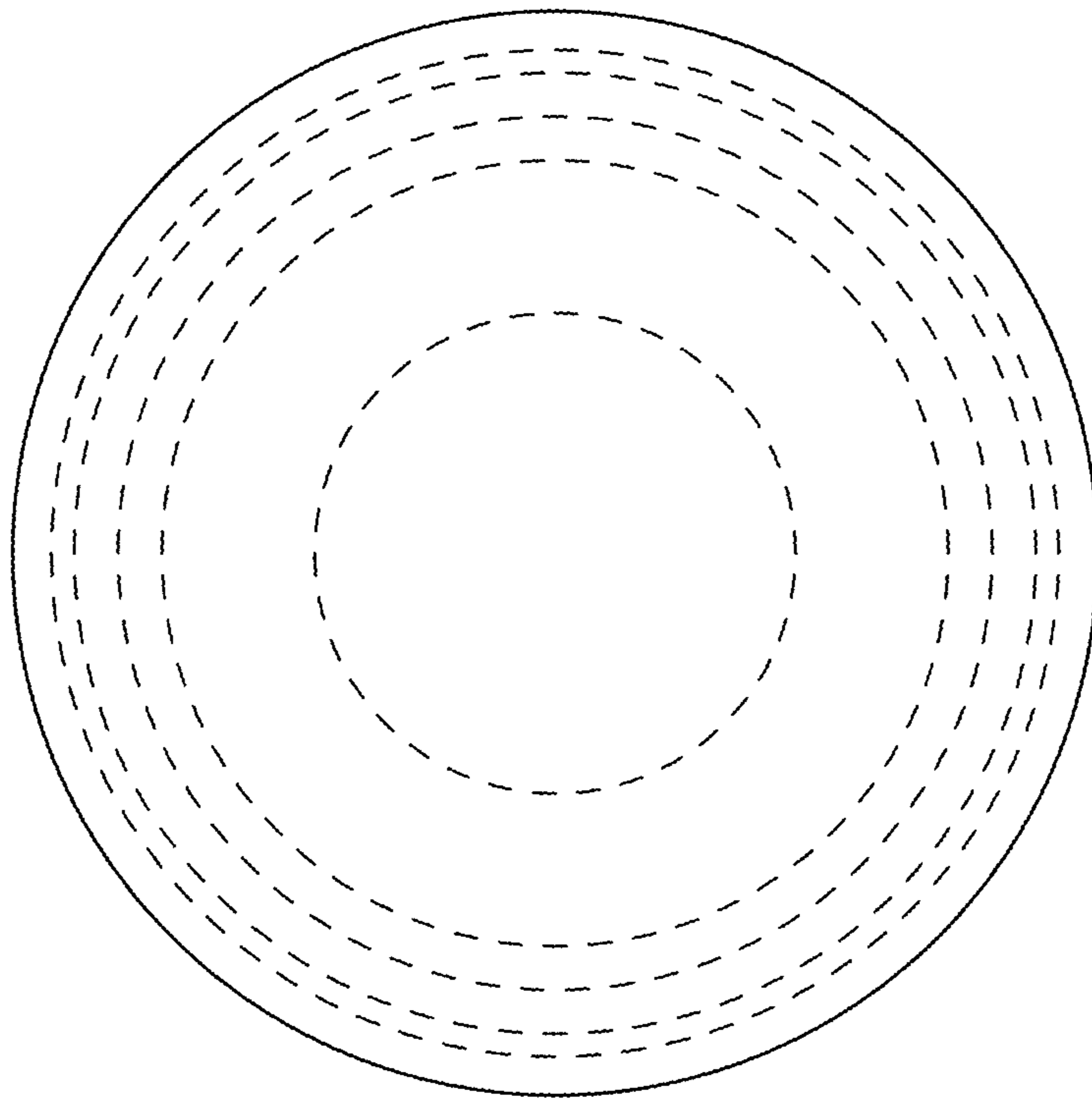


Fig. 3

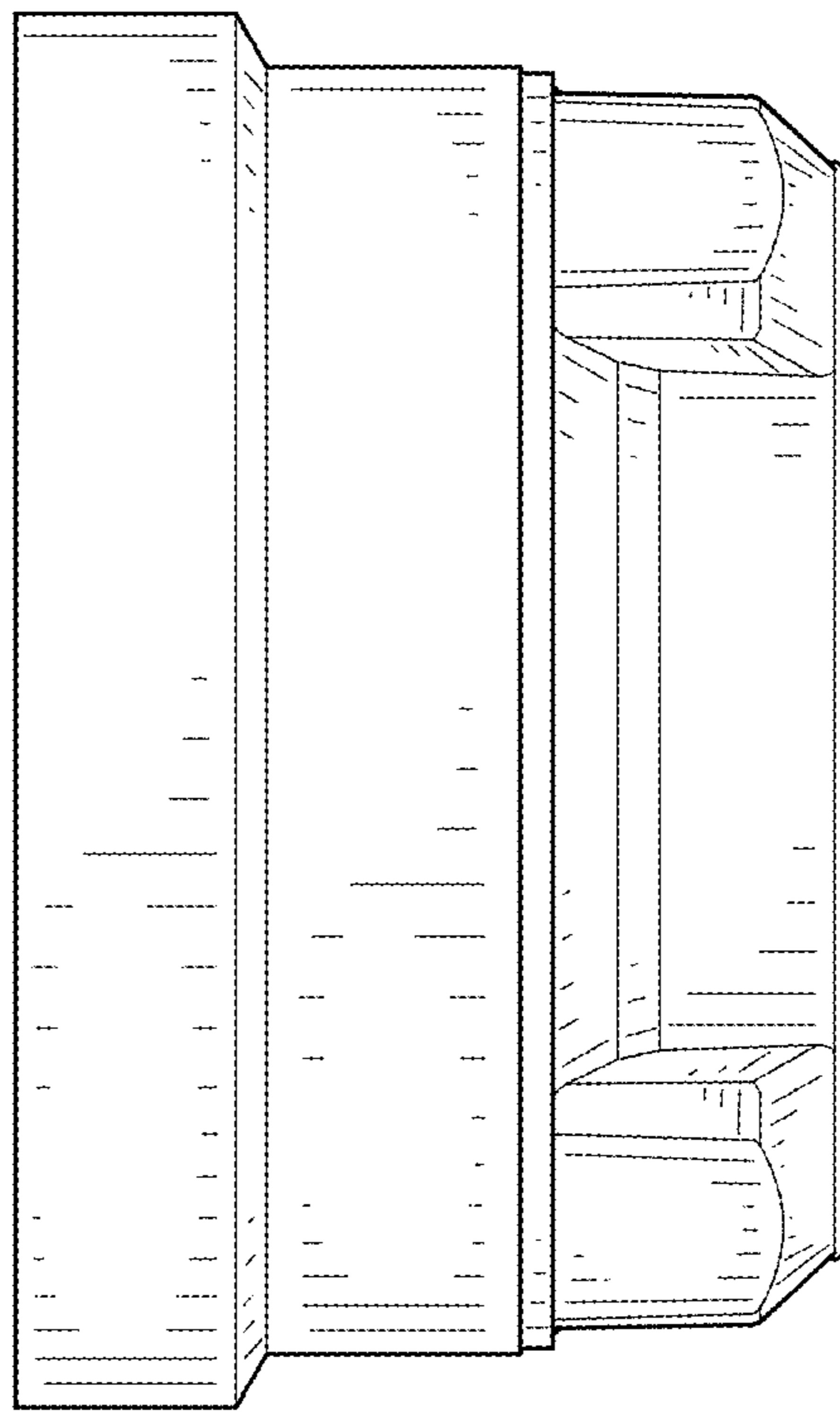


Fig. 4

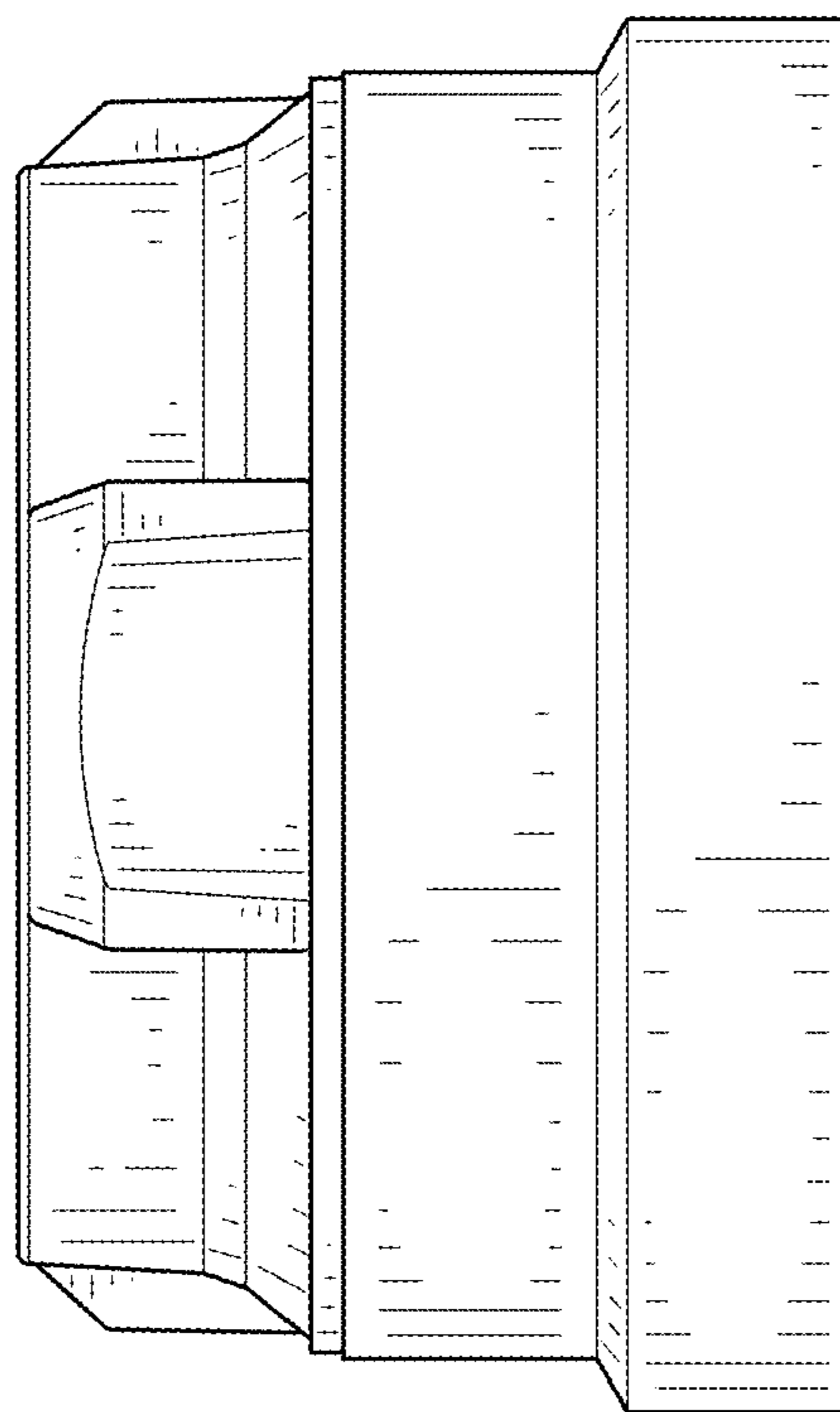


Fig. 5

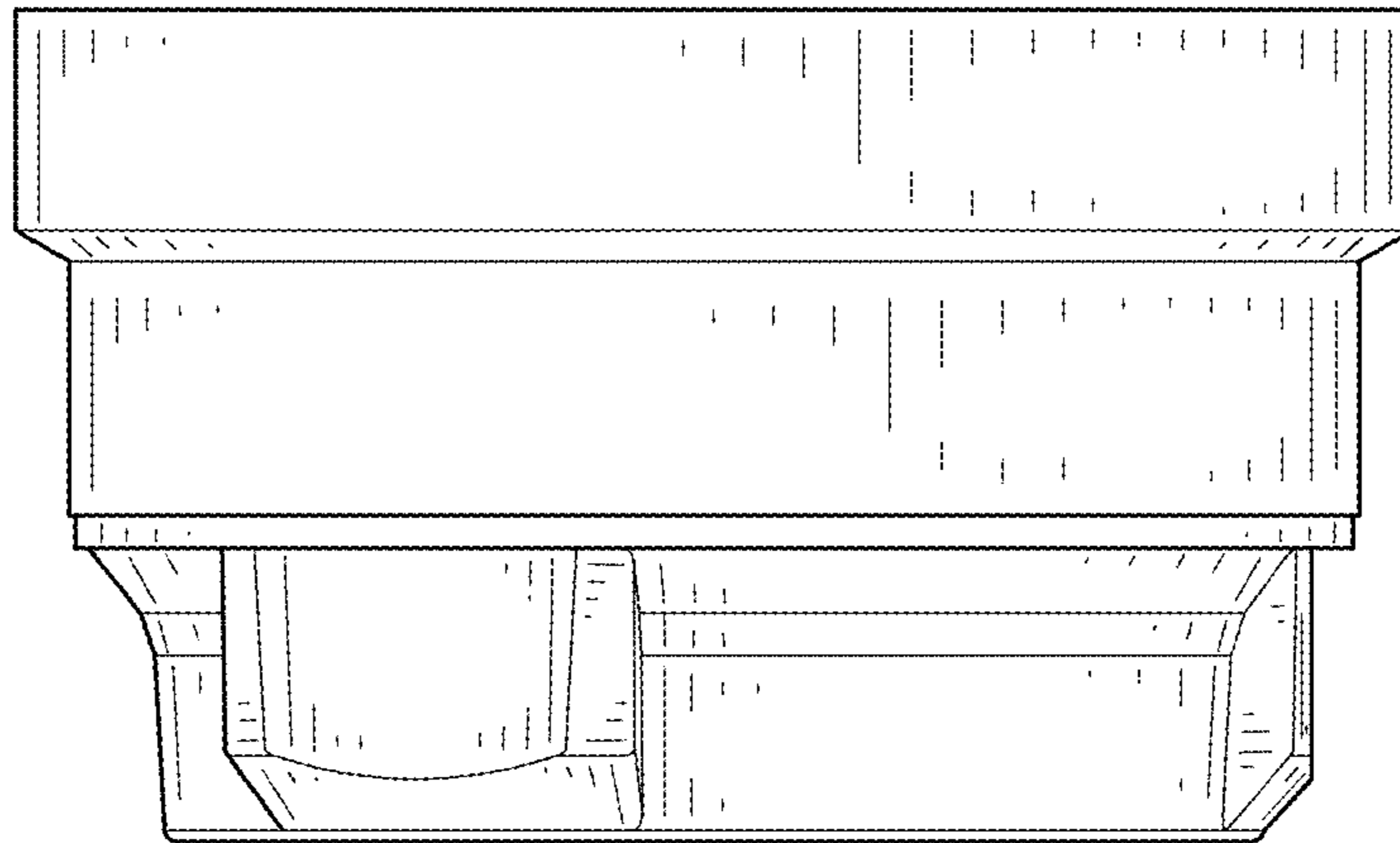


Fig. 6

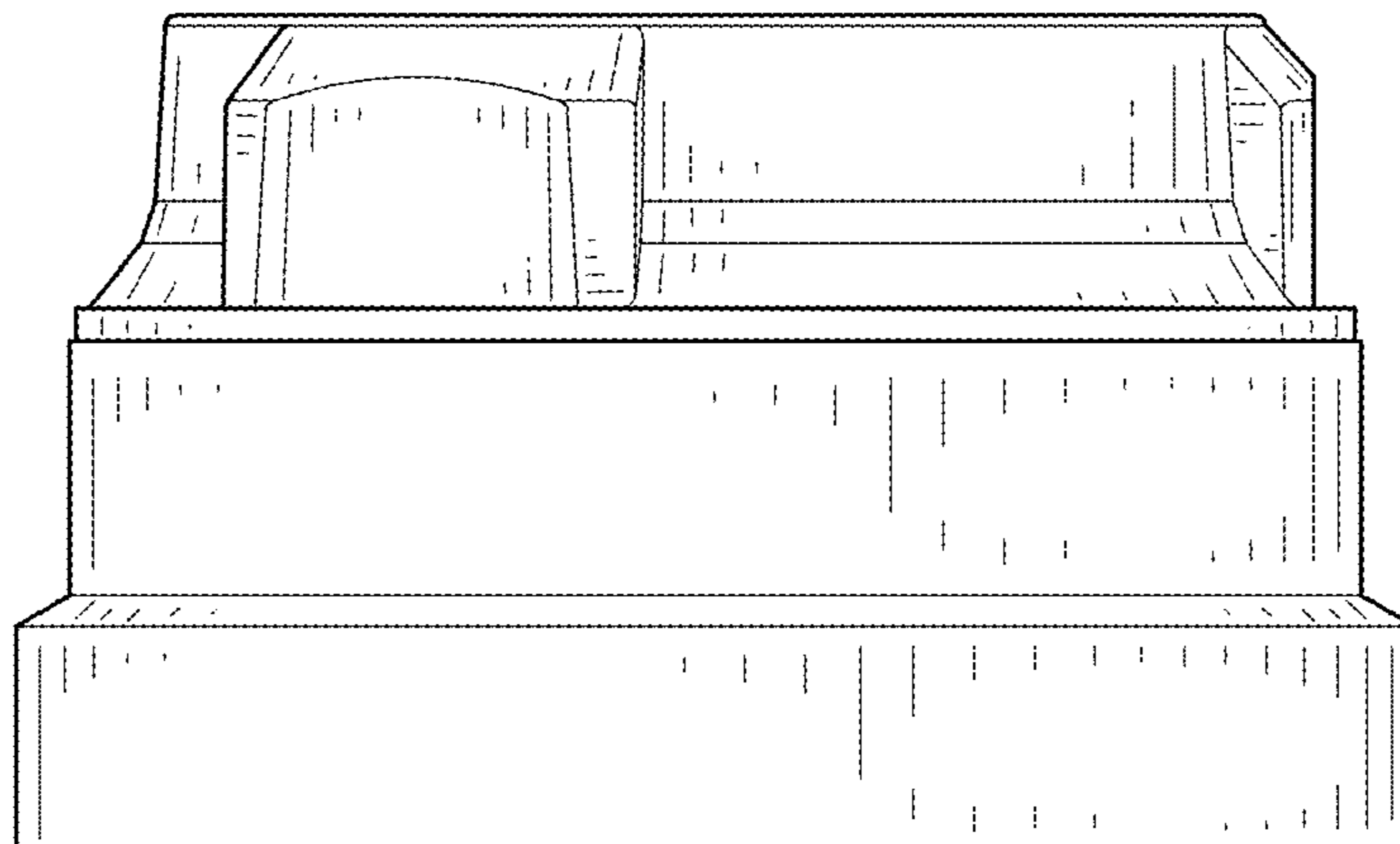


Fig. 7

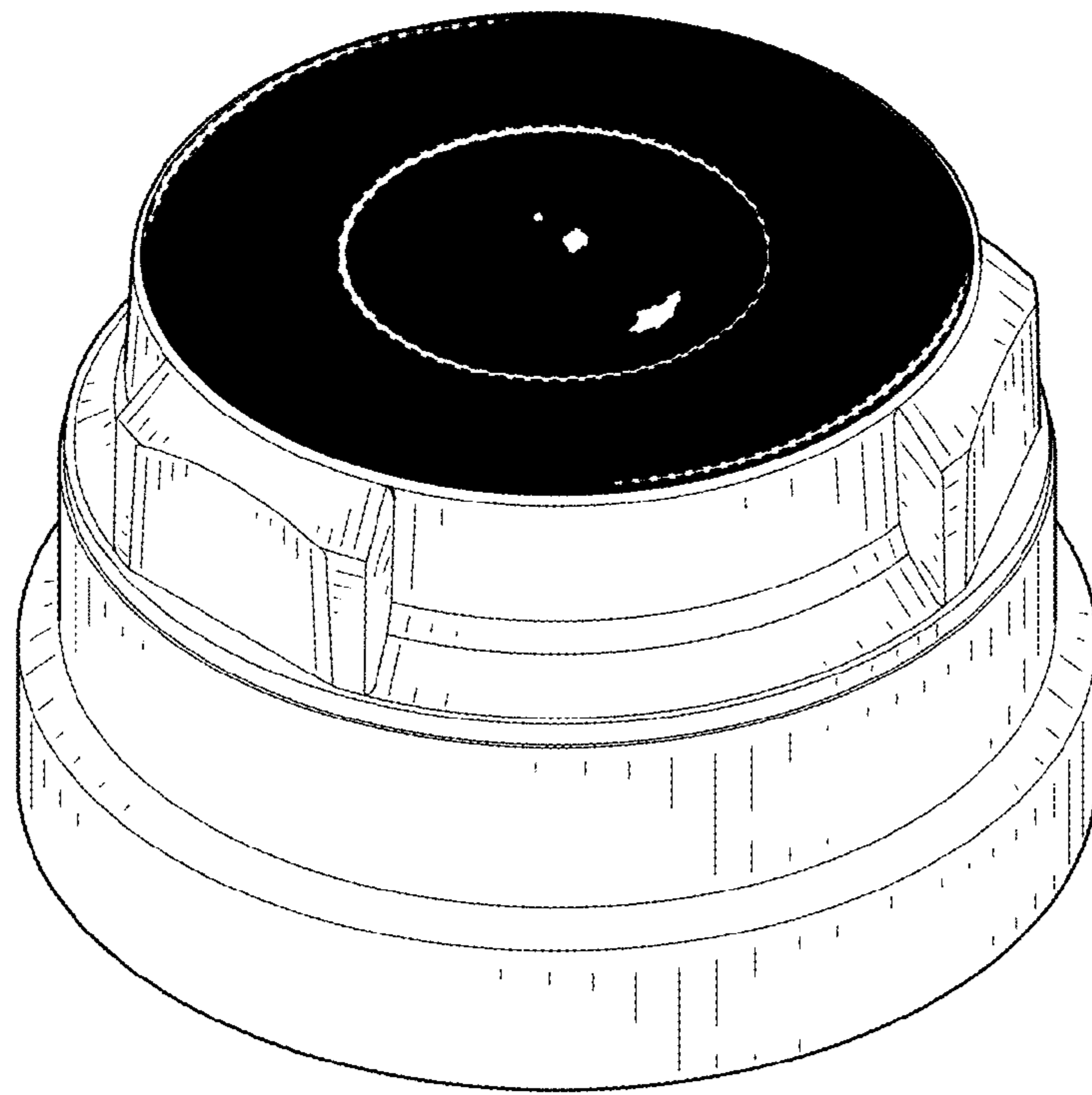


Fig. 8

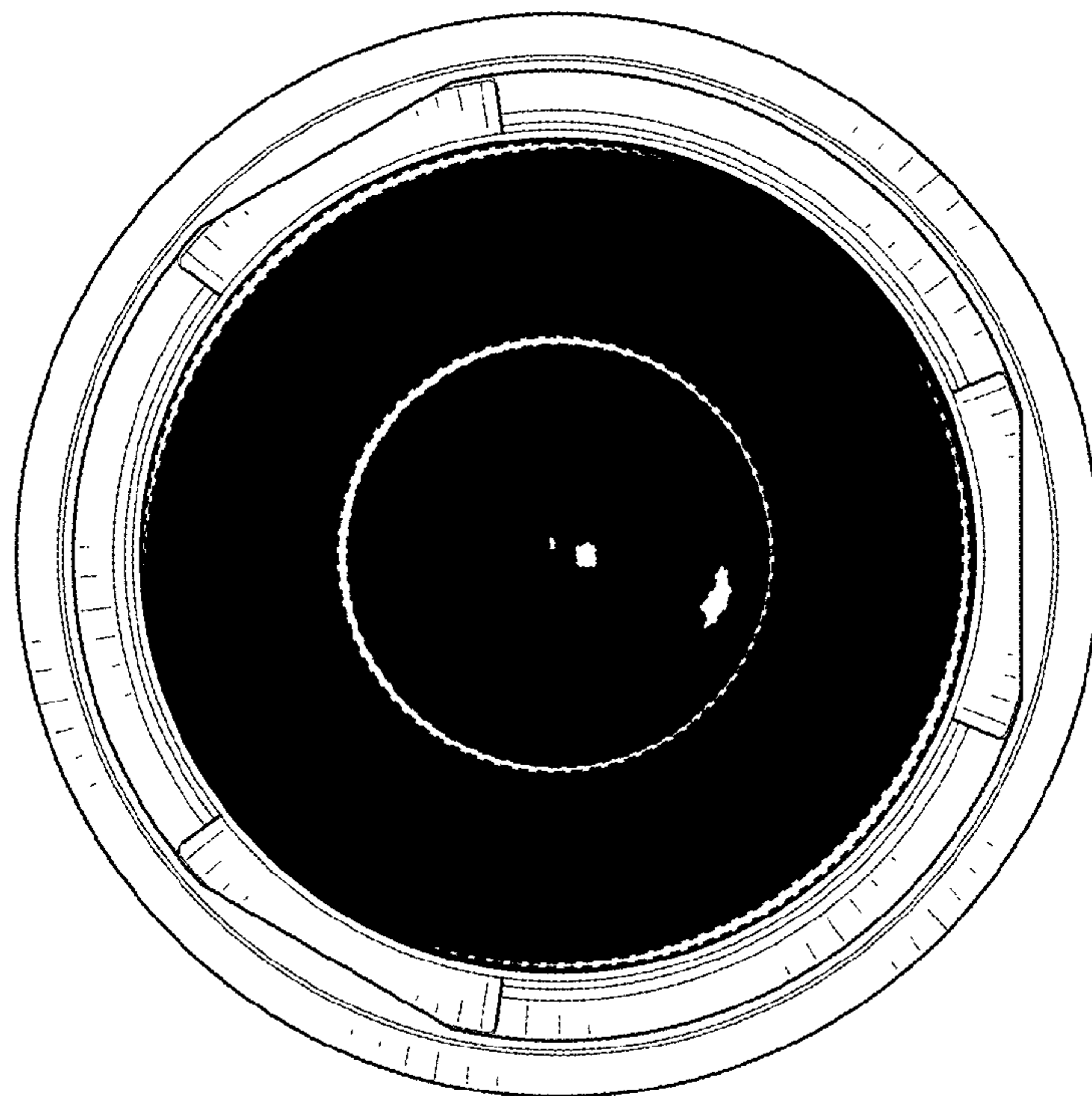


Fig. 9