



US00D919687S

(12) **United States Design Patent** (10) **Patent No.:** **US D919,687 S**
Song (45) **Date of Patent:** **** May 18, 2021**

(54) **ARTIFICIAL INTELLIGENCE ROBOT**

(71) Applicant: **Samsung Electronics Co., Ltd.**,
Suwon-si (KR)

(72) Inventor: **Hangil Song**, Suwon-si (KR)

(73) Assignee: **Samsung Electronics Co., Ltd.**,
Suwon-si (KR)

(**) Term: **15 Years**

(21) Appl. No.: **29/760,702**

(22) Filed: **Dec. 3, 2020**

D810,800 S	2/2018	Wang et al.	
D811,458 S	2/2018	Wang et al.	
D817,375 S	5/2018	Deyle et al.	
D840,451 S	2/2019	Yoo et al.	
D840,452 S	2/2019	Yoo et al.	
D840,453 S	2/2019	Yoo et al.	
D855,673 S	8/2019	Sutherland et al.	
D870,787 S	12/2019	Kim et al.	
D870,788 S	12/2019	Kim et al.	
D881,249 S	4/2020	Kim et al.	
D888,121 S	6/2020	Kim et al.	
D888,165 S	6/2020	Michaelian et al.	
D893,572 S	8/2020	Kim et al.	
D894,248 S	8/2020	Kim et al.	
D908,151 S *	1/2021	Song	D15/199
2015/0190927 A1	7/2015	Sutherland et al.	
2018/0178375 A1	6/2018	Yang et al.	

* cited by examiner

Related U.S. Application Data

(63) Continuation of application No. 29/687,910, filed on
Apr. 17, 2019, now Pat. No. Des. 908,151.

Primary Examiner — Patricia A Palasik

(74) *Attorney, Agent, or Firm* — NSIP Law

(30) **Foreign Application Priority Data**

Dec. 20, 2018 (KR) 30-2018-0060638

(51) **LOC (13) Cl.** **15-99**

(52) **U.S. Cl.**
USPC **D15/199**

(58) **Field of Classification Search**
USPC D12/1; D15/199; D21/578–583, 621,
D21/622; D32/21; D34/34
CPC B25J 5/007; B60B 19/006; B62D 57/024;
H01F 7/0221; Y10S 901/01
See application file for complete search history.

(56) **References Cited**

U.S. PATENT DOCUMENTS

D549,756 S	8/2007	Park et al.
D675,656 S	2/2013	Sutherland et al.
D802,040 S	11/2017	Canoso
D810,167 S	2/2018	Yang

(57) **CLAIM**

The ornamental design for an artificial intelligence robot, as
shown and described.

DESCRIPTION

FIG. 1 is a front perspective view of an artificial intelligence
robot showing my new design;
FIG. 2 is a front view thereof;
FIG. 3 is rear view thereof;
FIG. 4 is a left-side view thereof;
FIG. 5 is a right-side view thereof;
FIG. 6 is a top view thereof;
FIG. 7 is a bottom view thereof; and,
FIG. 8 is a rear perspective view thereof.
The broken lines in the figures depict portions of the
artificial intelligence robot which form no part of the
claimed design.

1 Claim, 8 Drawing Sheets

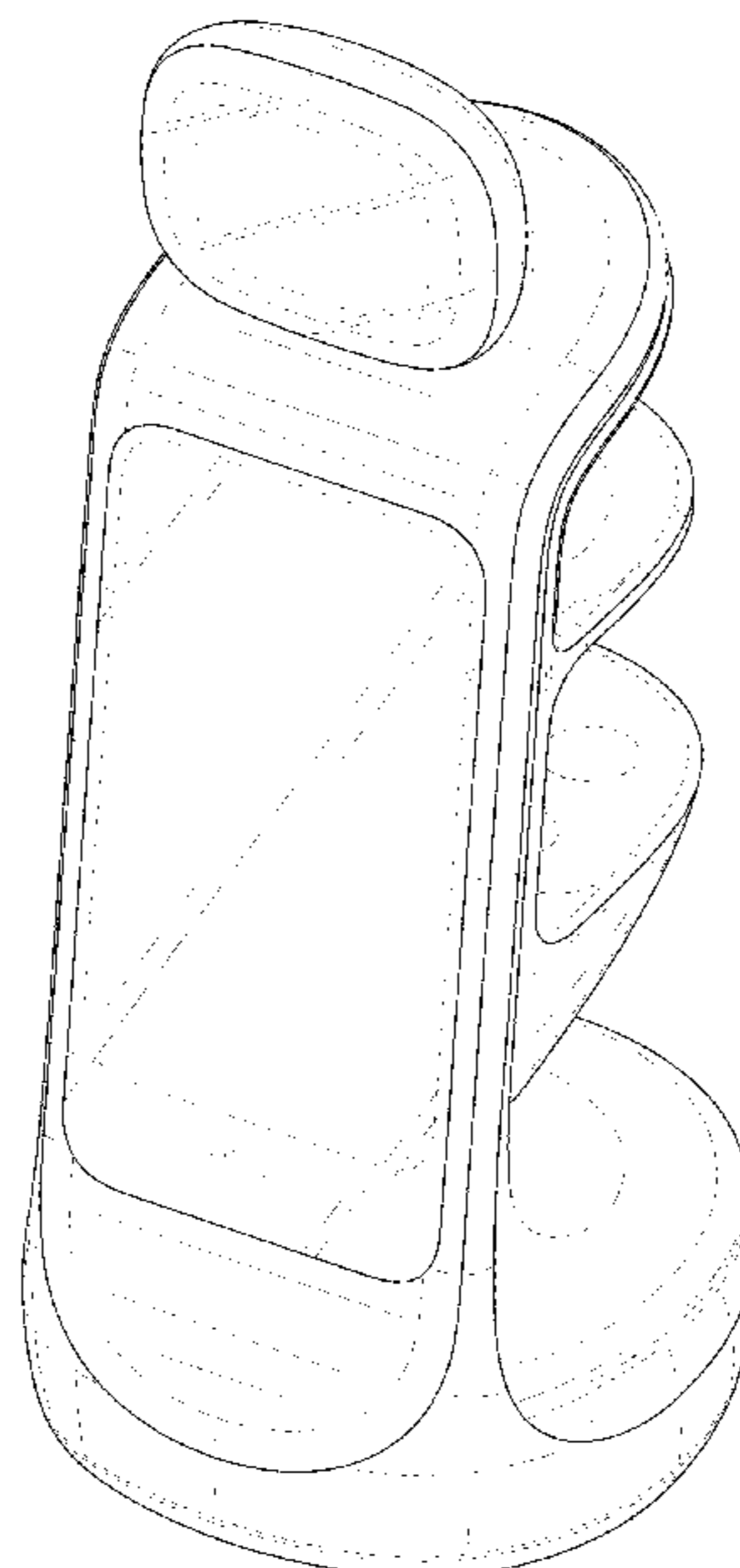


FIG. 1

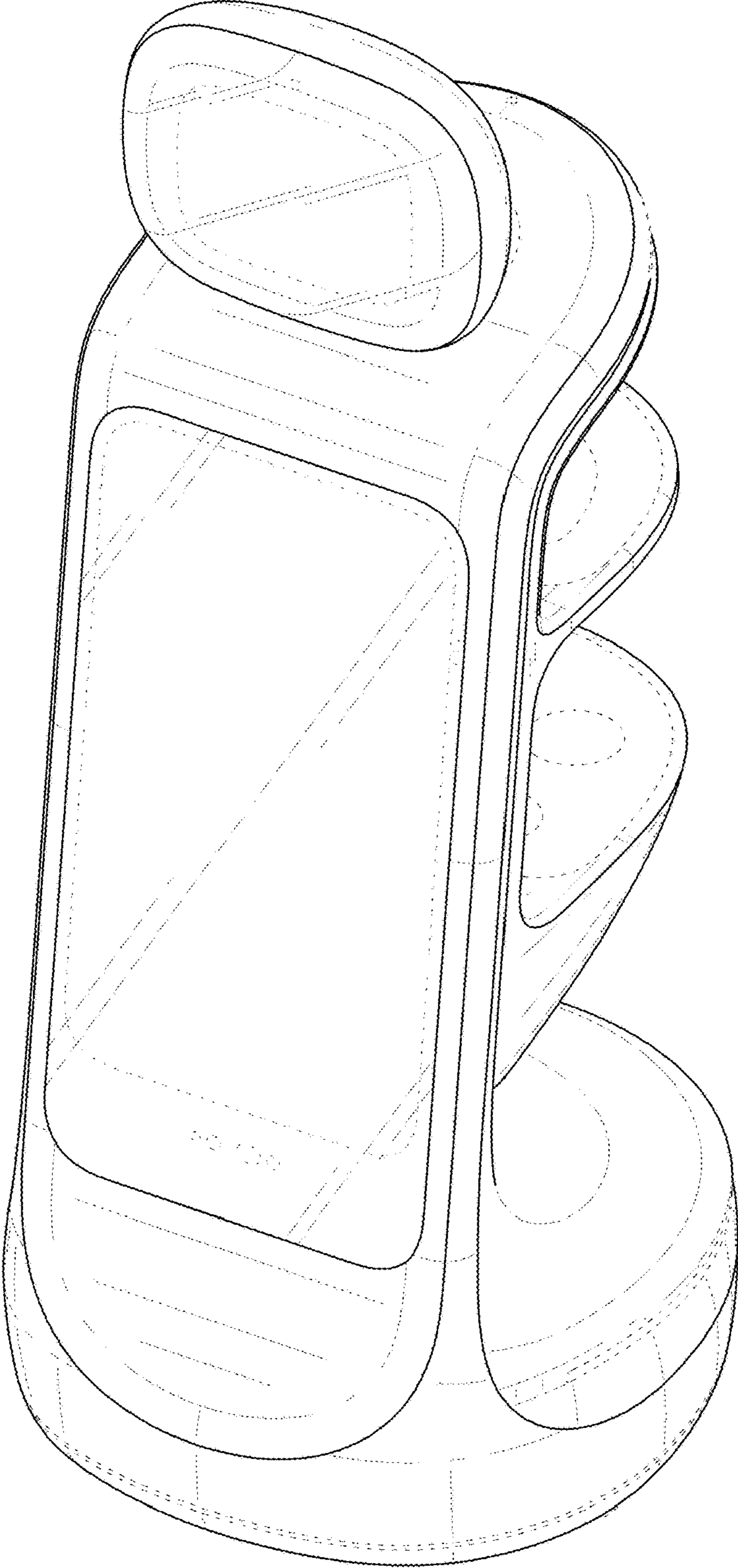


FIG. 2

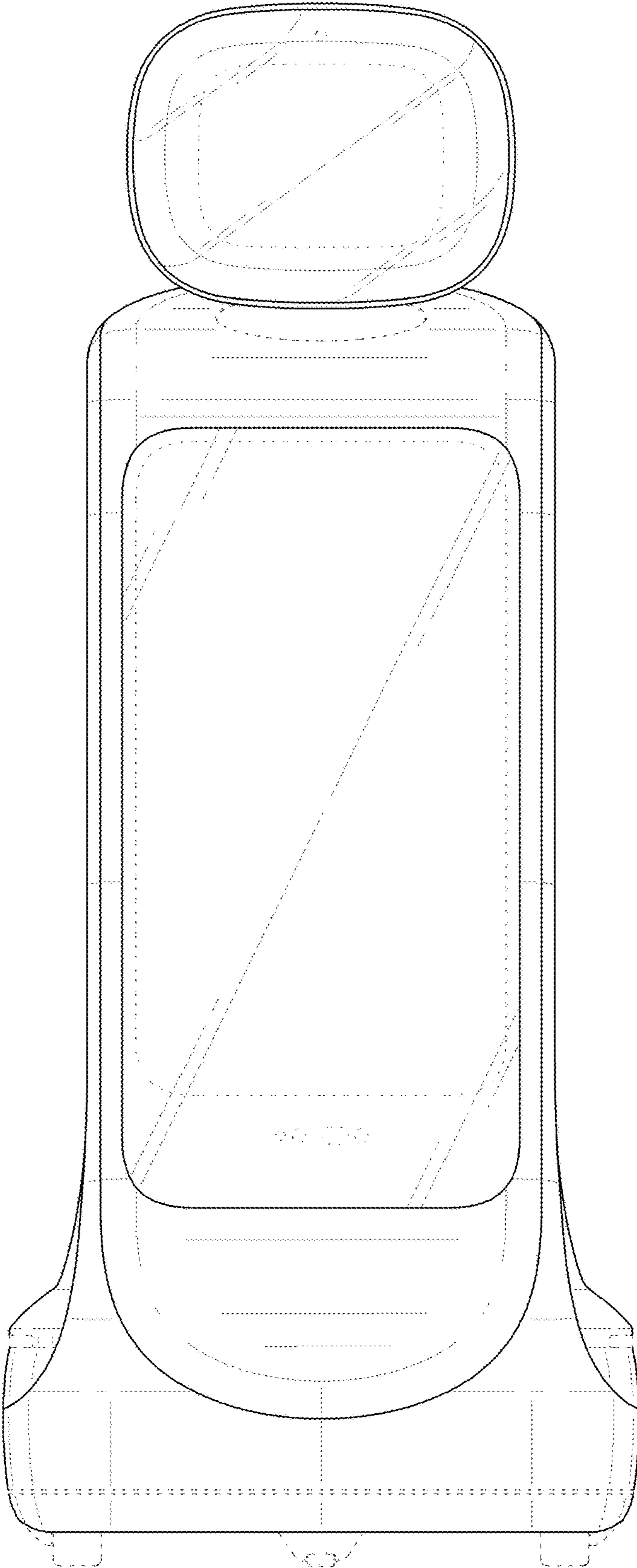


FIG. 3

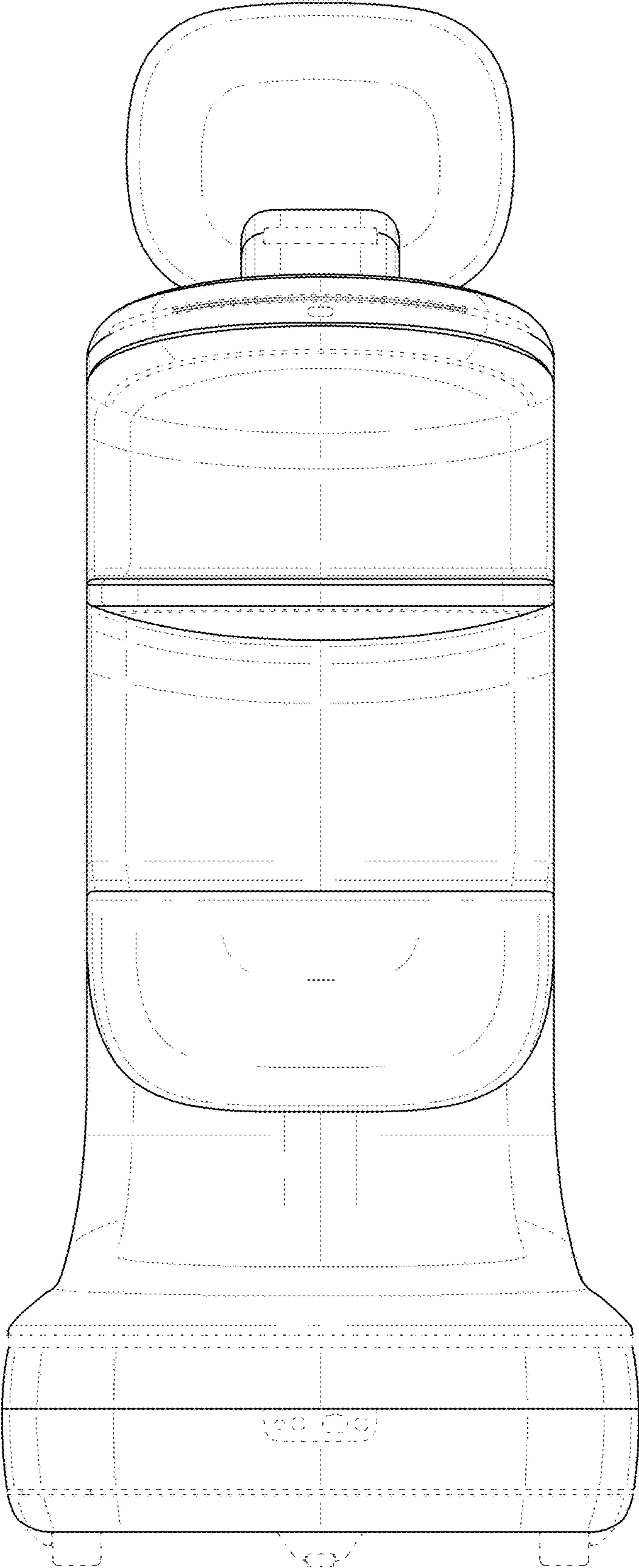


FIG. 4

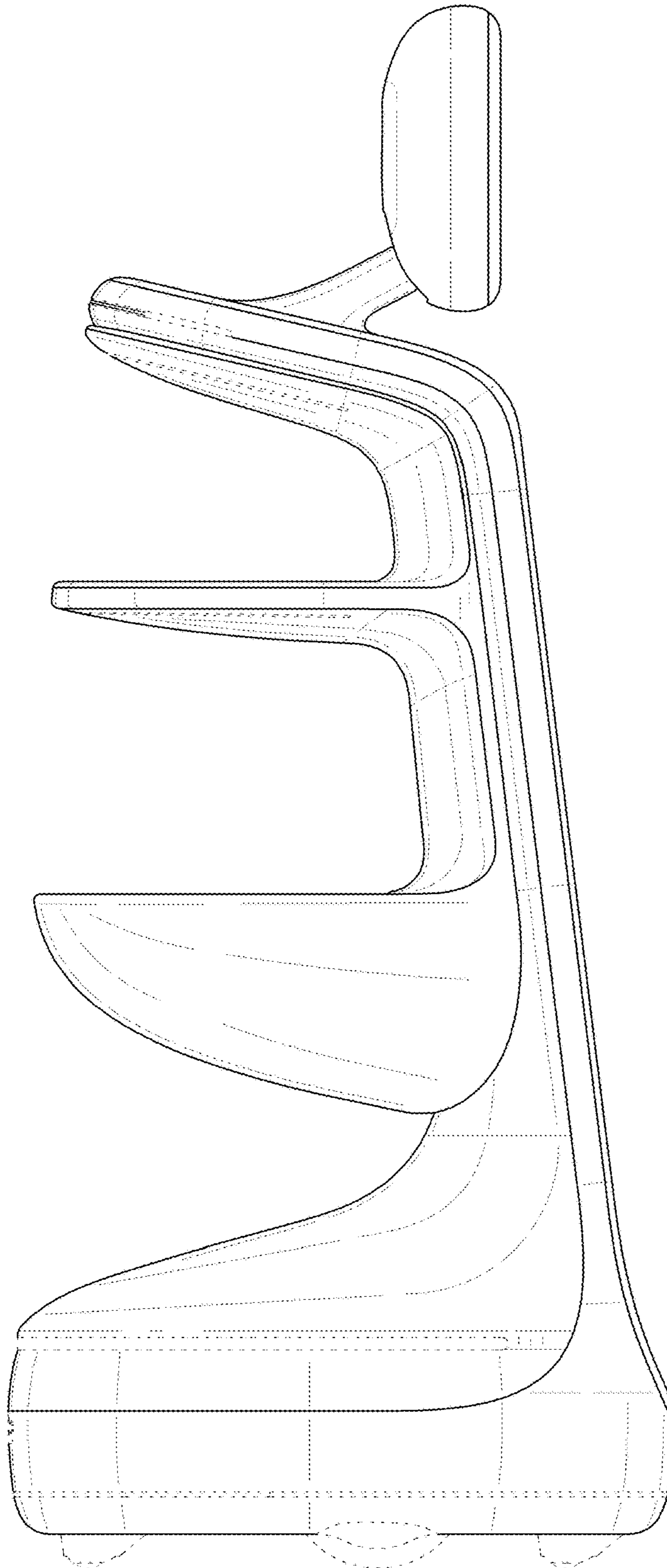


FIG. 5

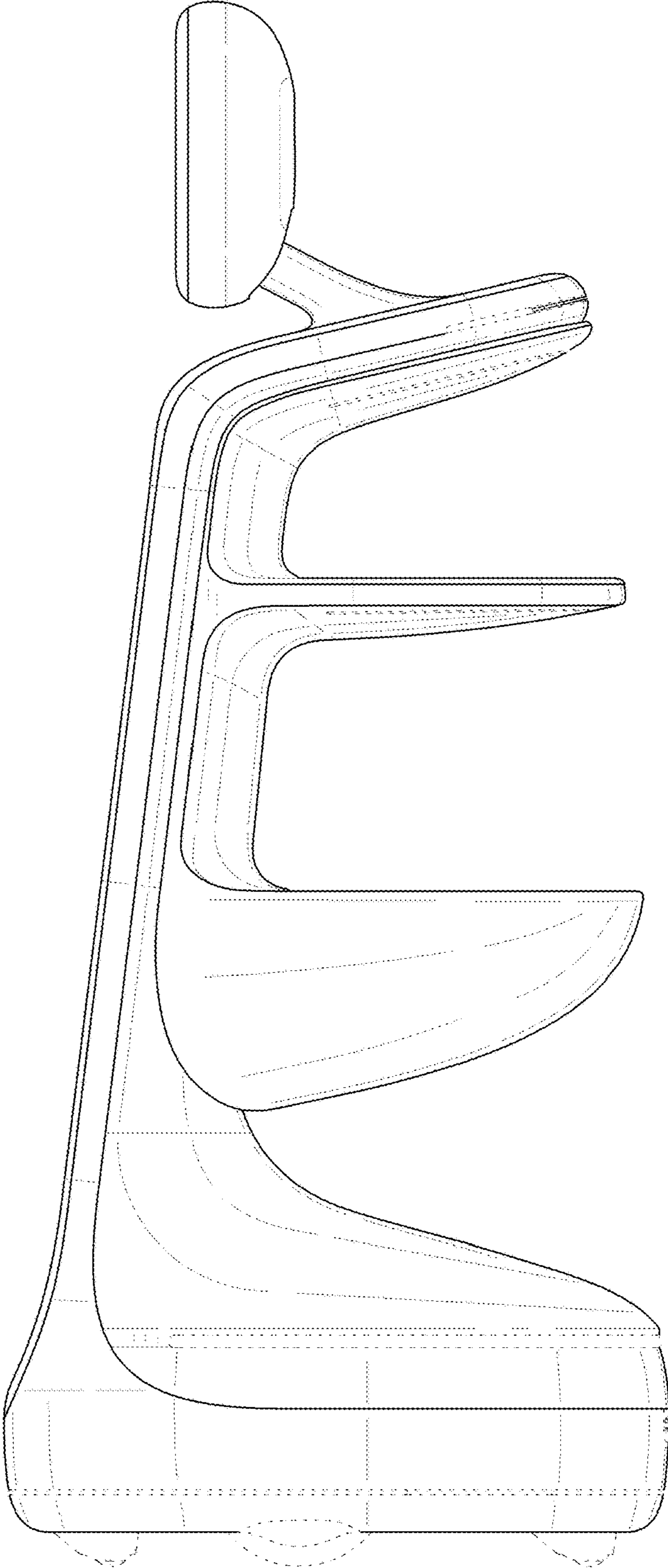


FIG. 6

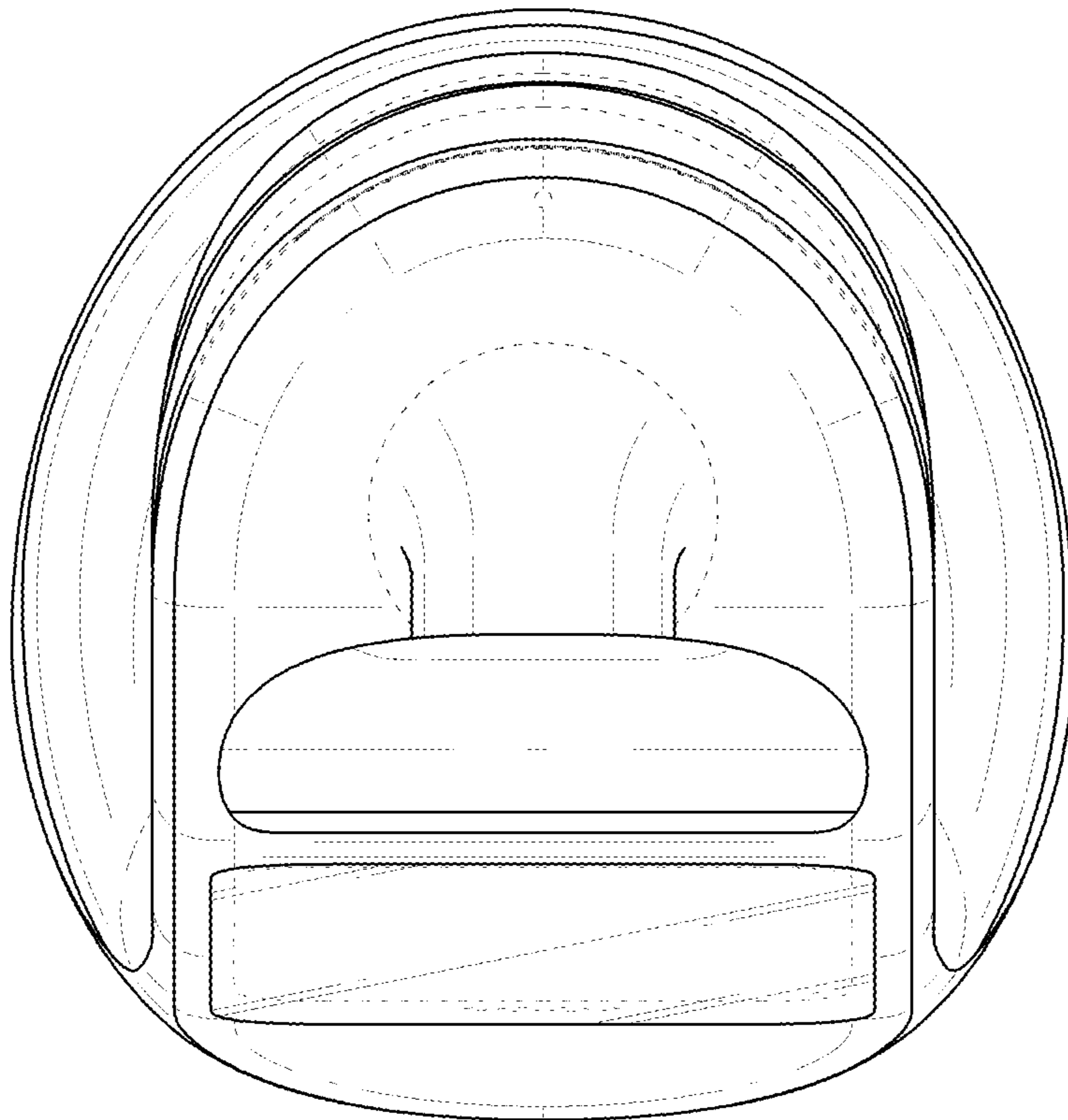


FIG. 7

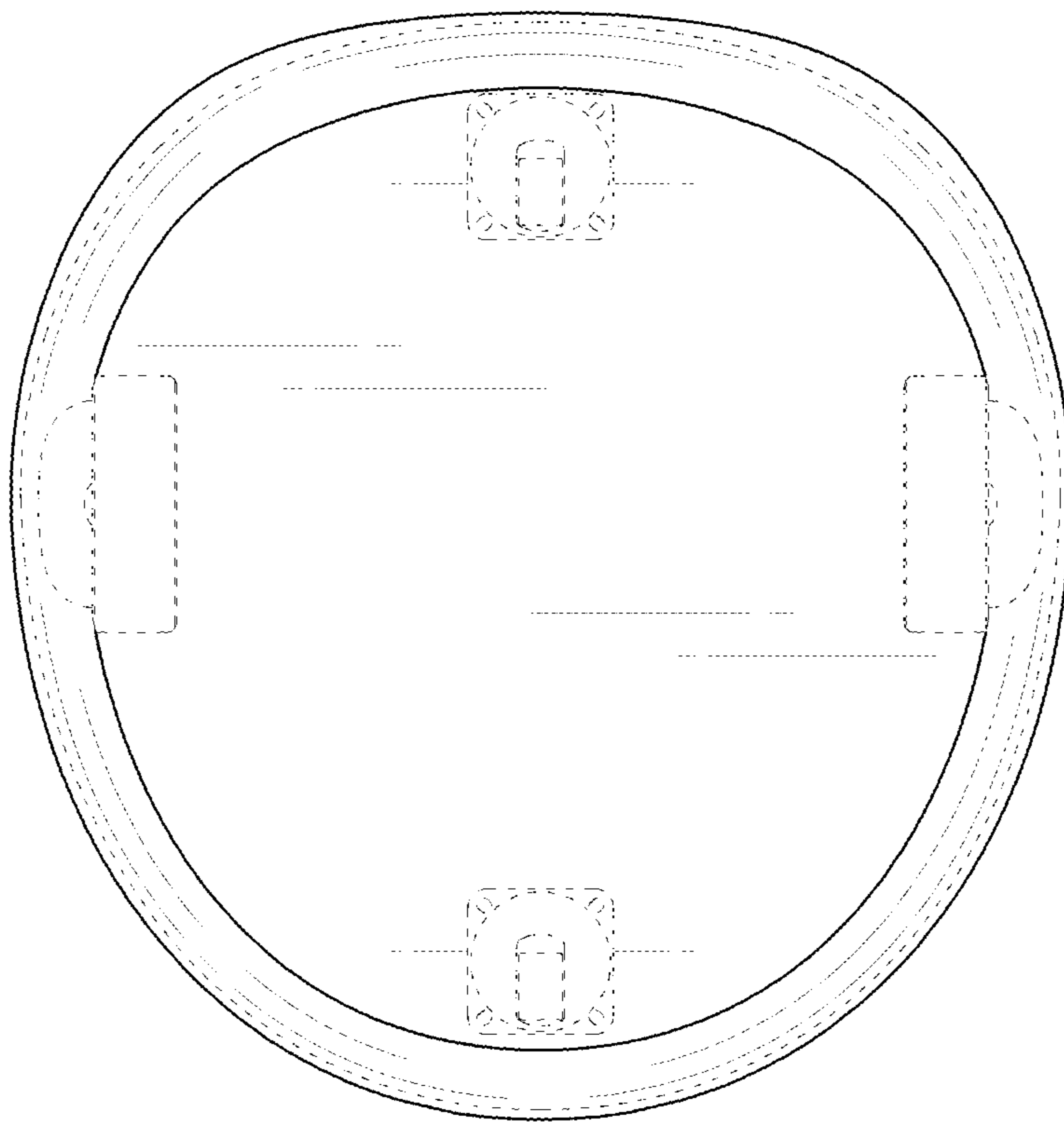


FIG. 8

