

US00D919686S

(12) **United States Design Patent** (10) **Patent No.:** **US D919,686 S**
Mäkelä (45) **Date of Patent:** **** May 18, 2021**

(54) **VEHICLE** 4,009,761 A * 3/1977 Meyer B62D 11/02
180/22
(71) Applicant: **STARSHIP TECHNOLOGIES OÜ**, D262,613 S 1/1982 Frees
Tallinn (EE) 4,496,272 A 1/1985 Pipes
4,513,832 A * 4/1985 Engman A61G 5/00
180/22
(72) Inventor: **Antti Juhana Mäkelä**, Helsinki (FI) 4,621,562 A 11/1986 Carr et al.
D295,105 S 4/1988 Dawson et al.
(73) Assignee: **STARSHIP TECHNOLOGIES OÜ**, 4,932,831 A 6/1990 White et al.
Tallinn (EE) (Continued)

(**) Term: **15 Years**

FOREIGN PATENT DOCUMENTS

(21) Appl. No.: **29/711,569**

CA 78148 3/1996
EM 0024548430001 5/2014

(22) Filed: **Oct. 31, 2019**

(Continued)

Related U.S. Application Data

OTHER PUBLICATIONS

(63) Continuation of application No. 29/585,966, filed on Nov. 30, 2016, now Pat. No. Des. 868,863, which is a continuation of application No. 29/560,357, filed on Apr. 6, 2016, now Pat. No. Des. 824,976.

<http://www.businessinsider.com/starship-technologies-raises-172million-dairnier-2017-1> posted Jan. 12, 2017 (year:2017).

(Continued)

(30) **Foreign Application Priority Data**

Primary Examiner — Patricia A Palasik

(74) *Attorney, Agent, or Firm* — Cantor Colburn LLP

Oct. 7, 2015 (EM) 002814277-0001
Nov. 2, 2015 (EM) 002845404-0001

(57) **CLAIM**

I claim, the ornamental design for a vehicle, as shown and described.

(51) **LOC (13) Cl.** **15-99**
(52) **U.S. Cl.**
USPC **D15/199; D34/34**

DESCRIPTION

(58) **Field of Classification Search**
USPC D12/91; D15/199; D21/578; D24/18,
D24/28, 34; D34/16, 34
CPC G05D 1/0022; G05D 2201/0209; G08C
17/00; G08C 2201/40
See application file for complete search history.

FIG. 1 is a rear perspective view of a vehicle, showing my new design;
FIG. 2 is a front perspective view thereof;
FIG. 3 is a front view thereof;
FIG. 4 is a rear view thereof;
FIG. 5 is a top view thereof; and,
FIG. 6 is a side view thereof, the opposite side view being a mirror image hereof.

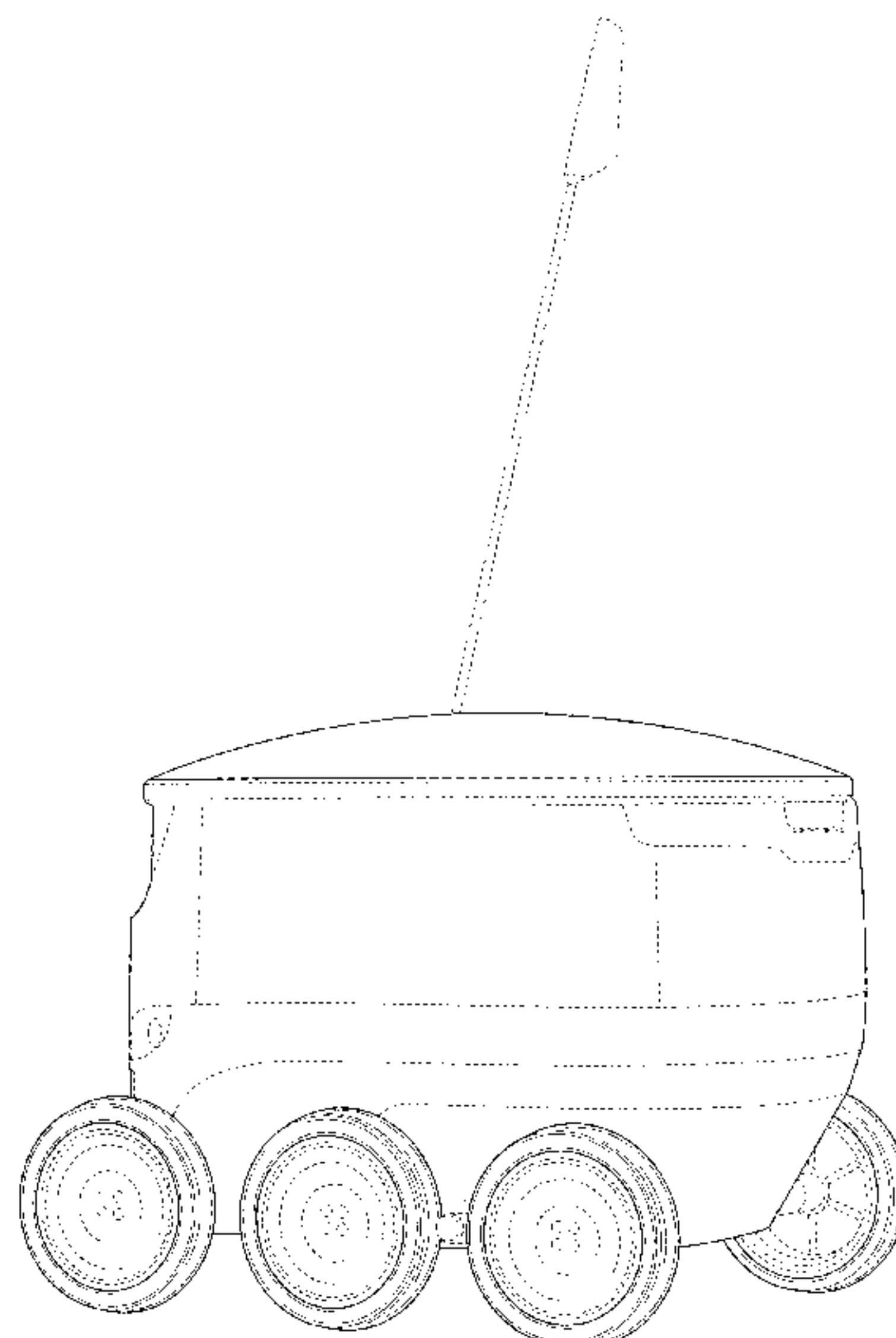
The broken lines in the drawings depict portions of the vehicle which form no part of the claimed design.

(56) **References Cited**

U.S. PATENT DOCUMENTS

D165,195 S * 11/1951 Schlumbohm D12/86
3,628,624 A 12/1971 Wesener

1 Claim, 6 Drawing Sheets



(56)

References Cited

U.S. PATENT DOCUMENTS

4,962,453 A 10/1990 Pong et al.
 5,037,159 A * 8/1991 Nutter G21F 5/00
 15/352
 D324,006 S 2/1992 Oslapas et al.
 5,086,995 A * 2/1992 Large B64C 25/34
 244/102 R
 5,229,913 A 7/1993 Smith
 D340,620 S 10/1993 Peters
 5,454,129 A 10/1995 Kell
 D369,022 S 4/1996 Sun
 D401,407 S * 11/1998 Bro D3/271.12
 6,113,343 A 9/2000 Goldenberg et al.
 6,144,180 A 11/2000 Chen et al.
 6,698,788 B2 * 3/2004 Yang B62B 9/104
 280/642
 D506,162 S 6/2005 Colinson
 D510,545 S 10/2005 Riegel et al.
 D514,391 S 2/2006 Miesieski et al.
 7,059,625 B2 * 6/2006 Horacek B62B 9/18
 280/47.38
 D530,158 S 10/2006 Miesieski et al.
 D535,805 S 1/2007 Stark
 7,207,860 B2 4/2007 Hornsby et al.
 D555,305 S 11/2007 Chun et al.
 D559,867 S 1/2008 Abramson
 7,364,183 B2 * 4/2008 Lee B62B 7/142
 280/42
 D582,217 S 12/2008 Libby et al.
 D594,385 S 6/2009 Gadotte
 7,581,605 B2 9/2009 Caspi et al.
 D606,904 S 12/2009 Greer
 D608,158 S * 1/2010 Beal D7/605
 7,654,347 B2 2/2010 Fanceschi et al.
 D614,251 S 4/2010 Chung
 7,798,886 B1 9/2010 Williamson
 7,854,435 B2 * 12/2010 Campbell B62B 3/008
 180/65.1
 D630,269 S 1/2011 Matsuda et al.
 D639,351 S 6/2011 Newmayer et al.
 D646,528 S 10/2011 Stallman et al.
 8,136,270 B1 * 3/2012 Wammock A61G 19/00
 37/300
 8,146,695 B1 4/2012 Ramshur
 D668,581 S 10/2012 Kim et al.
 8,292,007 B2 10/2012 De Fazio et al.
 D672,408 S 12/2012 Ohler et al.
 8,392,036 B2 3/2013 Jacobsen et al.
 D682,362 S 5/2013 Mozeika
 8,677,876 B2 3/2014 Diaz
 8,882,134 B2 * 11/2014 Rolicki B62B 7/04
 280/642
 D720,511 S 12/2014 Shin et al.
 8,936,261 B2 * 1/2015 Yuan B62B 7/008
 280/47.38
 D733,001 S 6/2015 Itou et al.
 9,056,622 B2 * 6/2015 Thomas B62B 7/008
 D745,144 S * 12/2015 Aylmer D24/128
 9,260,127 B2 * 2/2016 Rolicki B62B 7/04
 D756,059 S 5/2016 Kang
 9,428,208 B1 * 8/2016 Chen B62B 9/18
 D770,719 S 11/2016 He et al.
 D781,661 S 3/2017 Smith
 D797,829 S 9/2017 Lv et al.
 D798,007 S 9/2017 Wo et al.
 D803,765 S 11/2017 Bei et al.
 9,849,901 B2 12/2017 Jackman
 D813,101 S 3/2018 Devine et al.
 D818,397 S * 5/2018 Makela D12/86
 D821,265 S * 6/2018 Makela D12/86
 10,005,609 B1 6/2018 Biene et al.
 D824,976 S * 8/2018 Makela D15/199
 D856,849 S * 8/2019 Makela D12/86

D868,863 S * 12/2019 Makela D15/199
 D883,354 S * 5/2020 Jafarzadeh D15/199
 2003/0168825 A1 * 9/2003 Henderson B62D 13/00
 280/81.6
 2005/0004708 A1 1/2005 Goldenberg et al.
 2005/0205329 A1 * 9/2005 Fanger-Vexler B60G 3/145
 180/234
 2006/0182580 A1 * 8/2006 Petersen B60P 1/6454
 414/538
 2006/0186699 A1 * 8/2006 Davis B60G 3/06
 296/187.01
 2006/0238159 A1 10/2006 Jung
 2007/0080511 A1 * 4/2007 Campbell B62B 3/008
 280/47.17
 2007/0110552 A1 * 5/2007 Groves B66F 7/14
 414/589
 2008/0084284 A1 4/2008 Park et al.
 2008/0184840 A1 8/2008 Novoplanski et al.
 2009/0171504 A1 7/2009 Hyung et al.
 2009/0217478 A1 9/2009 Chong et al.
 2010/0068021 A1 * 3/2010 Petersen A01C 15/003
 414/523
 2010/0109293 A1 * 5/2010 Friisdahl B62B 7/12
 280/643
 2010/0119343 A1 * 5/2010 Groves B64F 5/0036
 414/590
 2010/0243357 A1 9/2010 Yim et al.
 2011/0054691 A1 3/2011 Lee et al.
 2011/0132671 A1 6/2011 Lee et al.
 2011/0135189 A1 6/2011 Lee
 2011/0215192 A1 * 9/2011 Colantonio B64C 25/34
 244/50
 2012/0260944 A1 10/2012 Martins et al.
 2012/0281053 A1 11/2012 Kubota
 2013/0154215 A1 * 6/2013 Thomas B62B 7/008
 280/47.38
 2013/0269148 A1 10/2013 Chiu et al.
 2013/0305917 A1 * 11/2013 Heral B64C 25/16
 92/172
 2014/0239119 A1 * 8/2014 Martin B64C 25/50
 244/50
 2014/0350725 A1 11/2014 Lafary et al.
 2015/0015027 A1 * 1/2015 Wirth B62D 35/001
 296/180.2
 2015/0088359 A1 3/2015 Choi et al.
 2015/0307329 A1 * 10/2015 Rosenstrom B66C 9/04
 414/460
 2016/0144712 A1 * 5/2016 Olli B62D 61/10
 180/24.08
 2016/0272020 A1 * 9/2016 Bill B60C 23/0422
 2017/0157771 A1 6/2017 Jung et al.
 2018/0194411 A1 * 7/2018 Liivik B60G 17/019

FOREIGN PATENT DOCUMENTS

EM 0033709230001 9/2016
 JP D1567580 1/2017
 KR 3008887380001 1/2017

OTHER PUBLICATIONS

<https://www.npr.org/sections.alltechconsidered/2017/03/23/520848983/hungry-call-your-neighborhood-delivery-robot> posted 03/23/2017 (year:2017).
 Kat Lonsdorf "Hungry? Call Your Neighborhood Delivery Robot", <https://www.npr.org/sections/alltechconsidered/2017/03/23/520848963/hungry-call-your-neighborhood-delivery-robot> Posted Mar. 23, 2017 (Year 2017).
 Sam Shead "Robot delivery company Starship Technologies raised \$17.2 million in a round led by Daimler" <http://www.businessinsider.com/starship-47technologies-raises-172million-daimler-2017-1> Posted Jan. 12, 2017 (Year: 2017).

* cited by examiner

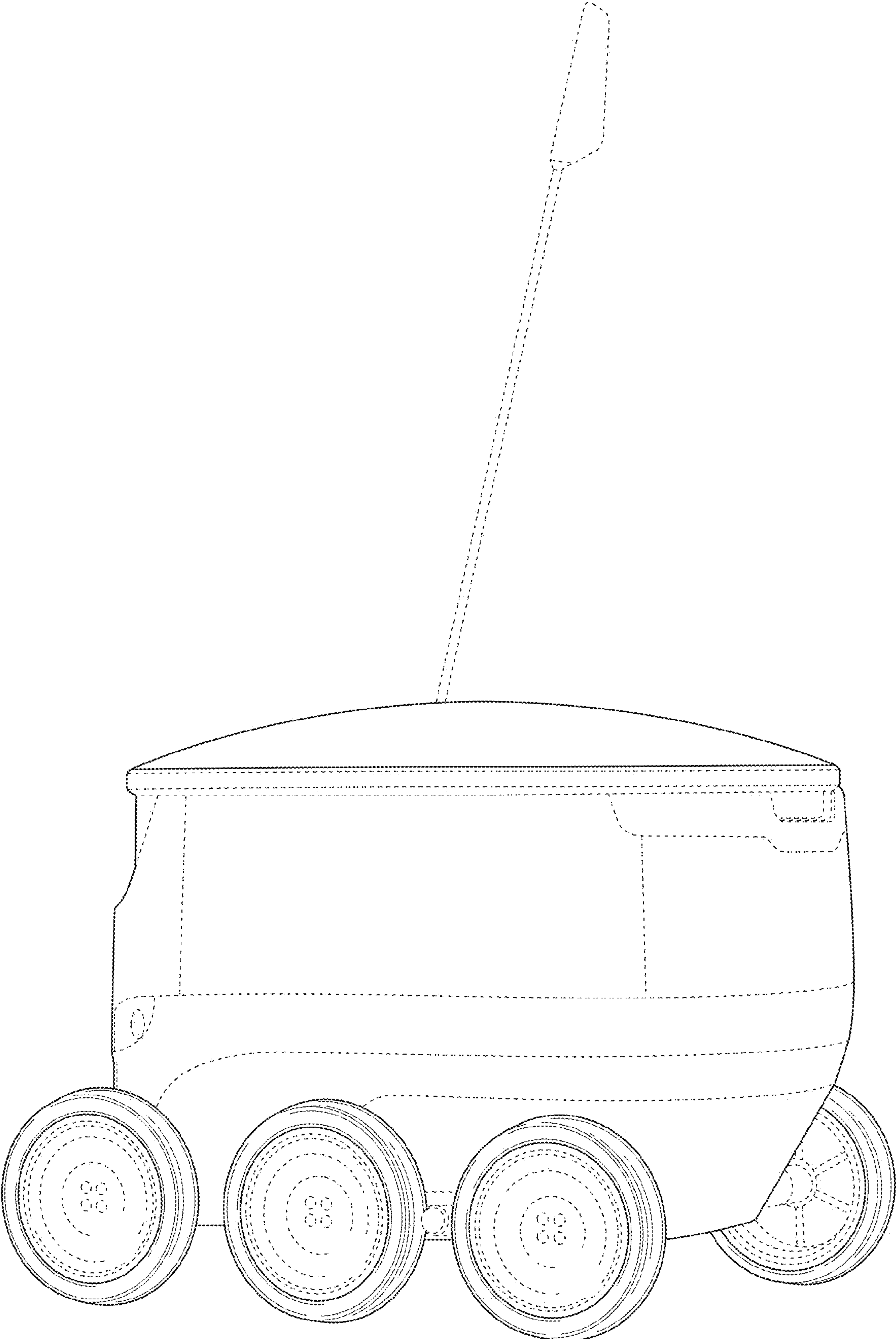


FIG. 1

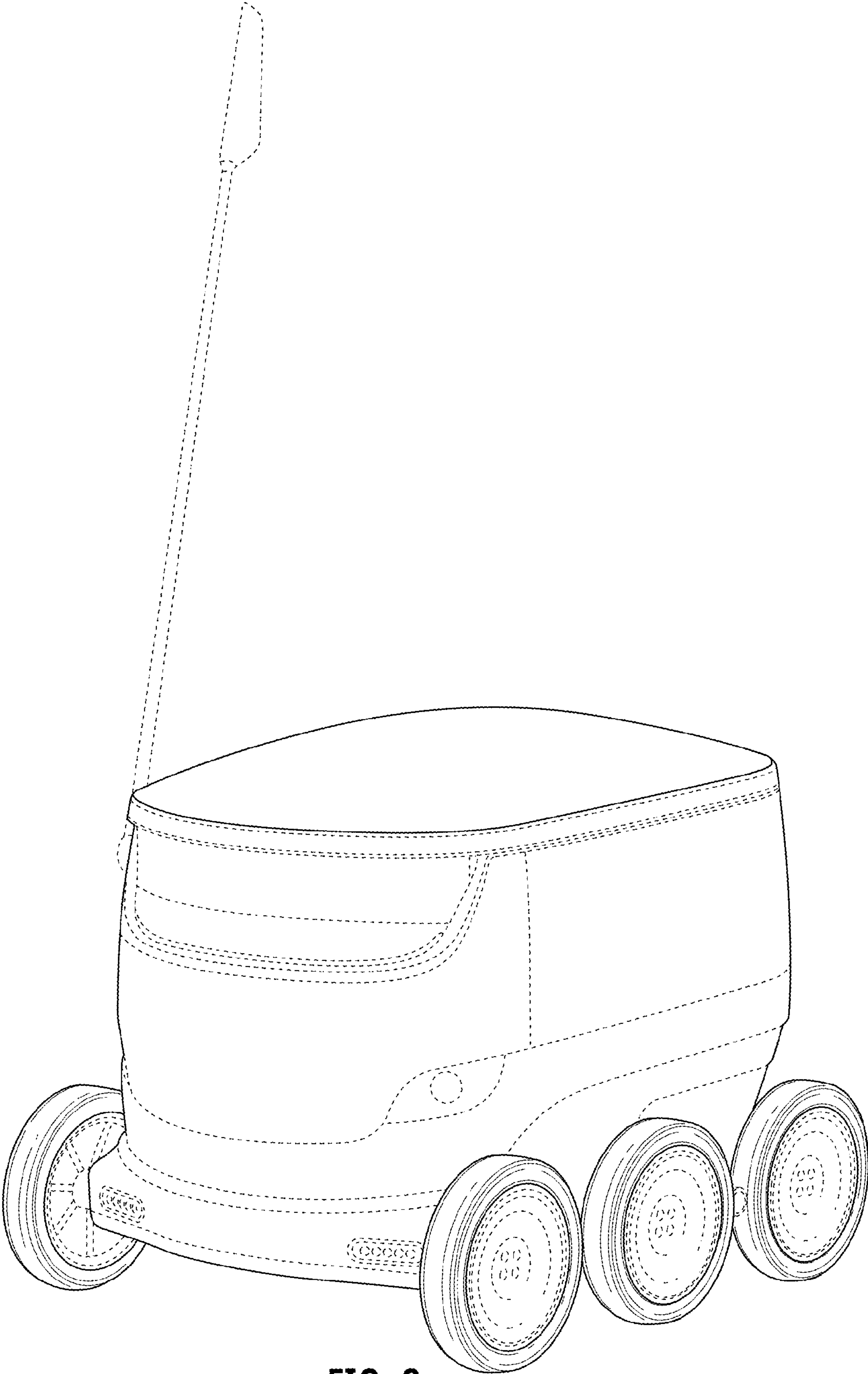


FIG. 2

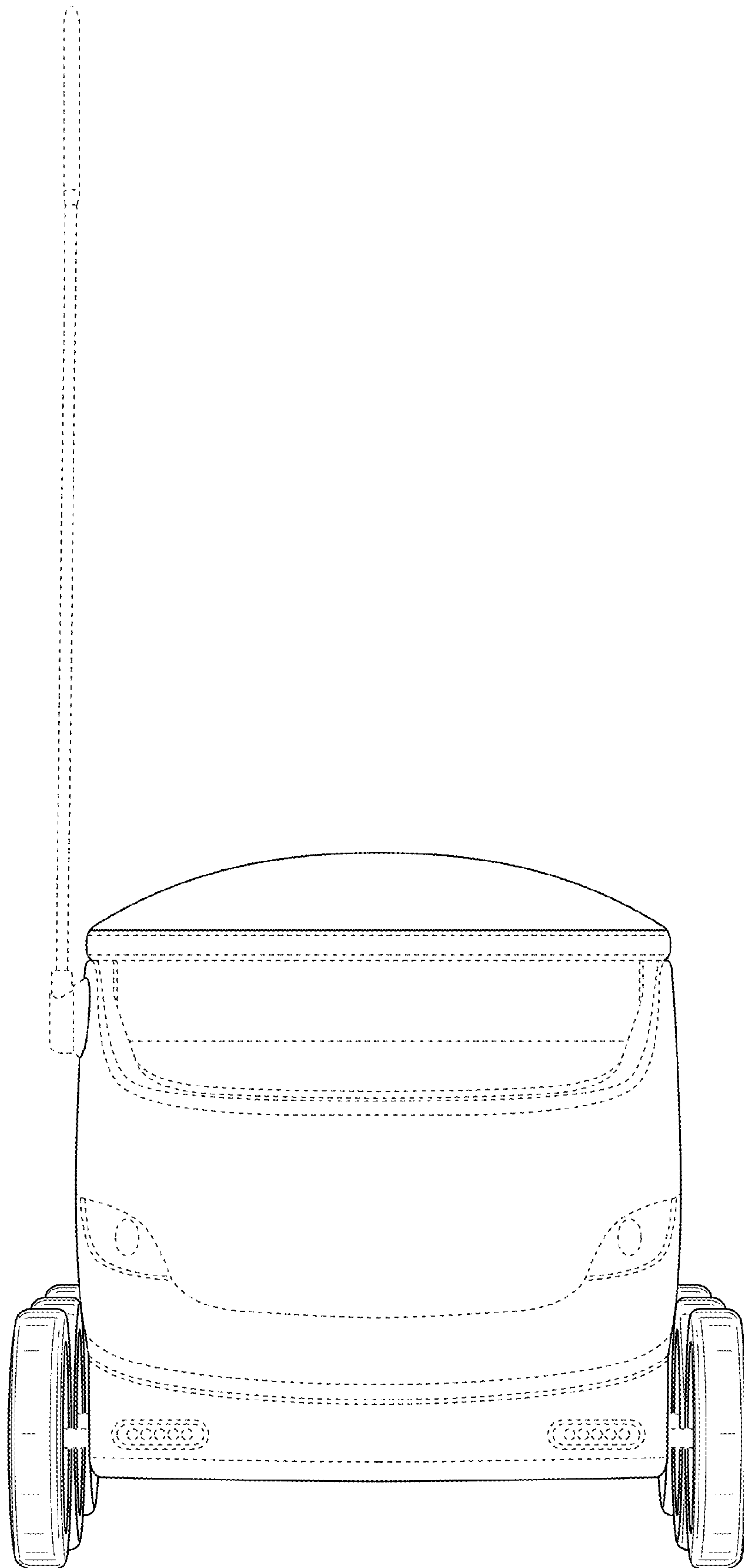


FIG. 3

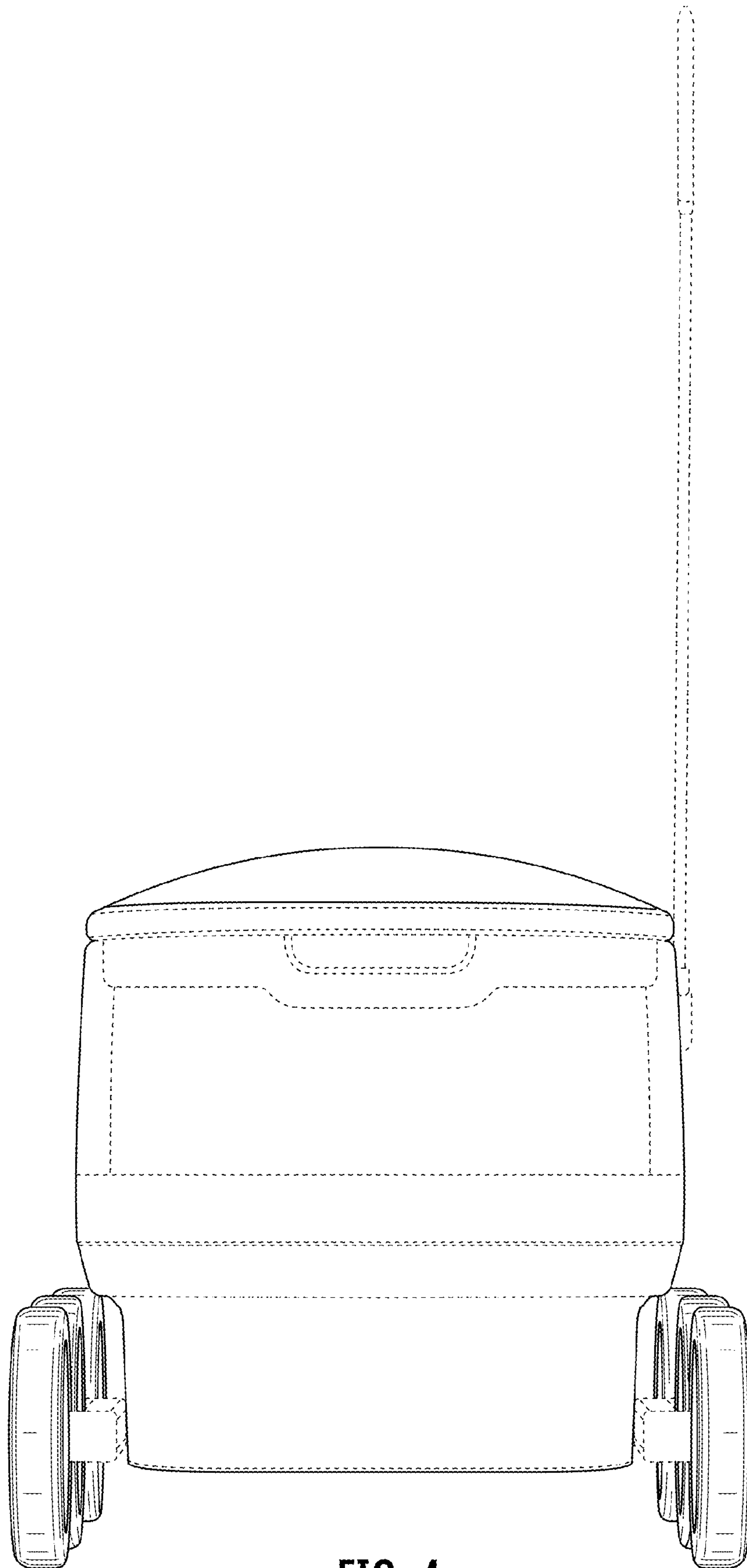


FIG. 4

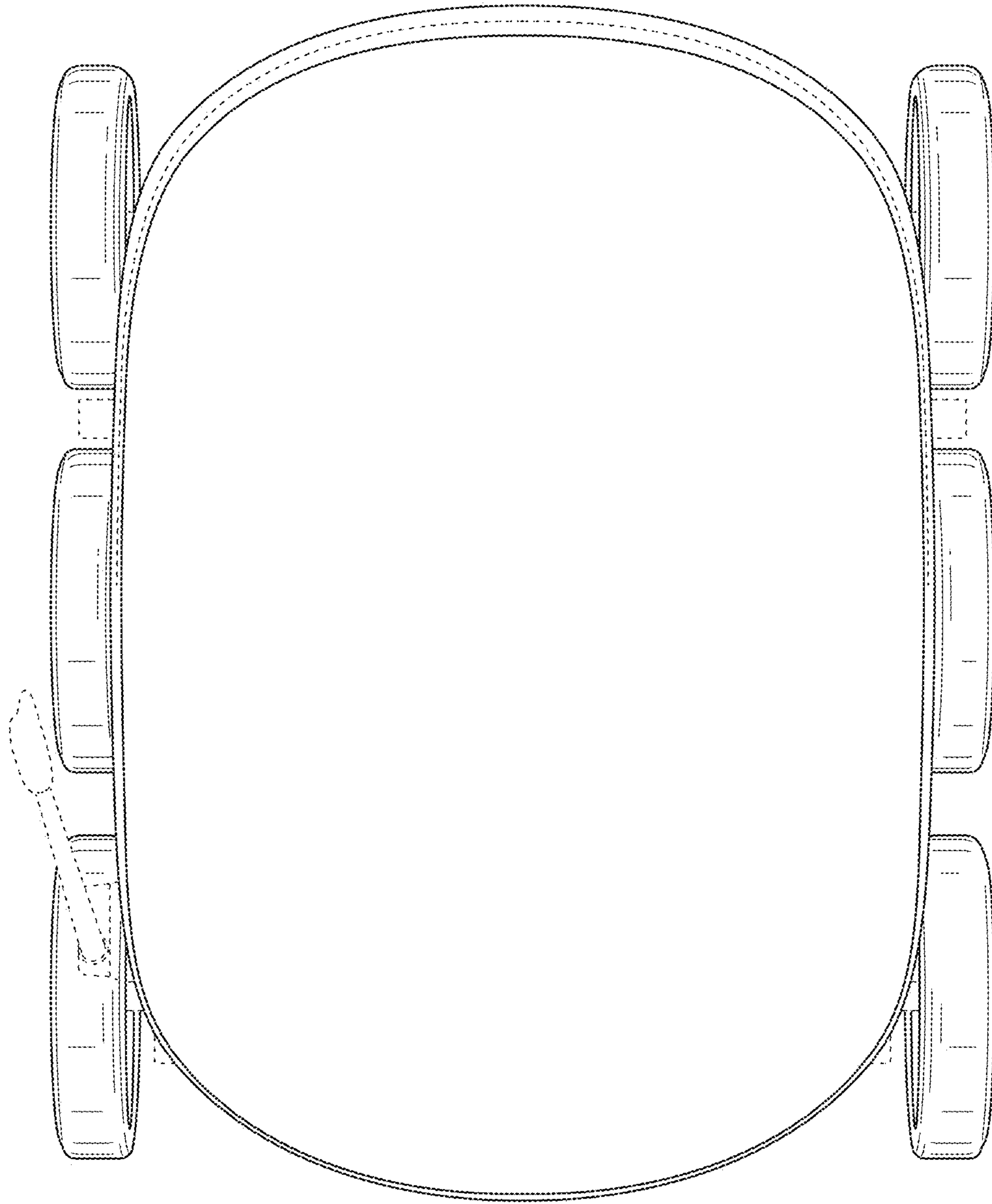


FIG. 5

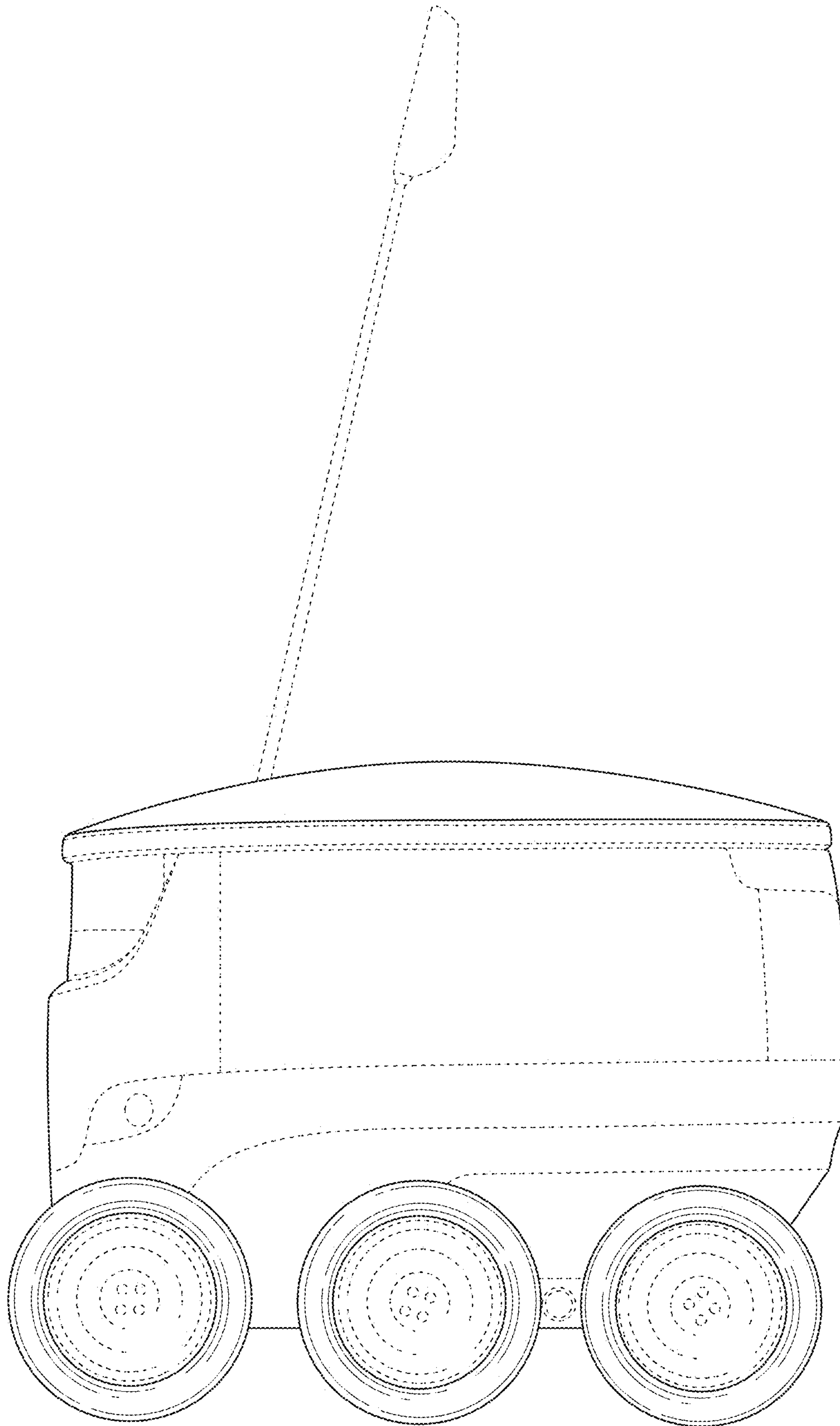


FIG. 6