



US00D919685S

(12) **United States Design Patent**
Fan

(10) **Patent No.:** **US D919,685 S**

(45) **Date of Patent:** **** May 18, 2021**

- (54) **ROBOT**
- (71) Applicant: **Vincross China Inc.**, Beijing (CN)
- (72) Inventor: **Hong Fan**, Beijing (CN)
- (73) Assignee: **Vincross China Inc.**, Beijing (CN)
- (**) Term: **15 Years**
- (21) Appl. No.: **29/703,929**
- (22) Filed: **Aug. 30, 2019**
- (30) **Foreign Application Priority Data**
Apr. 11, 2019 (CN) 201930162511.7
- (51) **LOC (13) Cl.** **15-99**
- (52) **U.S. Cl.**
USPC **D15/199**
- (58) **Field of Classification Search**
USPC D15/199; D21/578-583, 621, 622;
D32/21; D34/34
CPC B23K 9/133; B23K 9/287; B25J 9/0018;
B25J 19/0025; Y10T 74/20; Y10T
74/20207; Y10T 74/20311; Y10T
74/20305; Y10S 901/01
See application file for complete search history.

- (56) **References Cited**
U.S. PATENT DOCUMENTS
D314,401 S * 2/1991 Lehman D20/3
5,127,486 A * 7/1992 Yardley B62D 1/28
180/168
5,187,664 A * 2/1993 Yardley G05D 1/0265
180/167
5,324,948 A * 6/1994 Dudar G01S 15/931
250/253
D625,059 S * 10/2010 Morenstein D32/21

- 8,898,844 B1 * 12/2014 Dooley A47L 11/408
15/98
- D722,631 S * 2/2015 Stone D15/199
- D743,647 S * 11/2015 Heck D32/21
- D810,799 S * 2/2018 Sokuza D15/199
- D812,663 S * 3/2018 Waters D15/199
- D839,331 S * 1/2019 Nilsson D15/199
- D849,813 S * 5/2019 Sutherland D15/199
- 10,399,616 B2 * 9/2019 Ellerman A63H 33/26
- D864,270 S * 10/2019 Hu D15/199
- D865,021 S * 10/2019 Hu D15/199
- D871,475 S * 12/2019 Kolb D15/199
- D871,477 S * 12/2019 Kolb D15/199
- D873,173 S * 1/2020 Brucker D12/1
- D873,174 S * 1/2020 Sokuza D12/1
- D879,852 S * 3/2020 Chen D15/199
- D880,550 S * 4/2020 Sokuza D15/199
- D886,173 S * 6/2020 Sokuza D15/199
- D887,468 S * 6/2020 Hirvesaar D15/199
- 2012/0026481 A1 * 2/2012 Chen G05D 1/0242
356/4.01

(Continued)

Primary Examiner — Patricia A Palasik
(74) *Attorney, Agent, or Firm* — Bay State IP, LLC

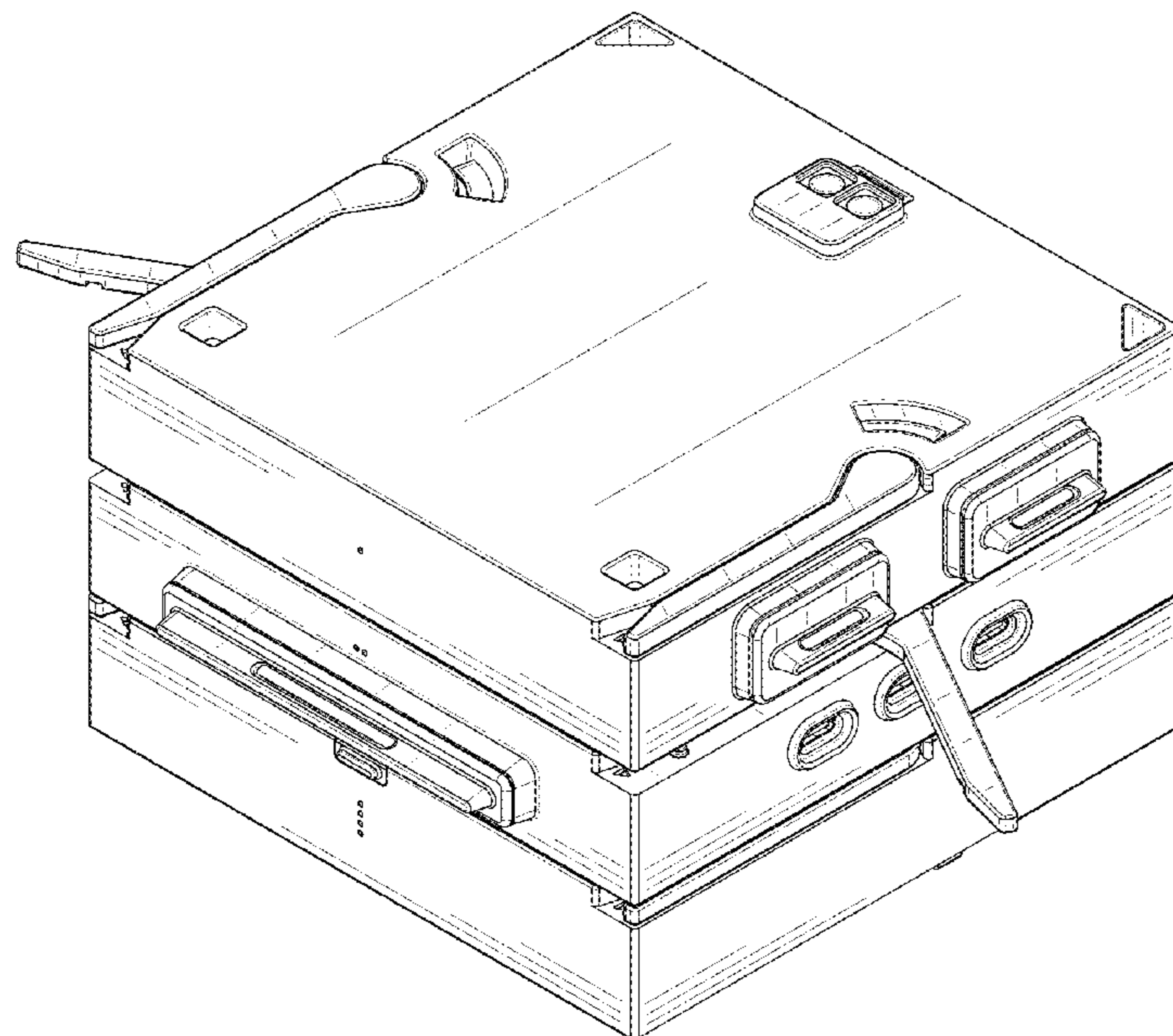
(57) **CLAIM**

The ornamental design for a robot, as shown and described.

DESCRIPTION

FIG. 1 is a perspective view of the robot showing my new design;
FIG. 2 is a front view thereof;
FIG. 3 is a back view thereof;
FIG. 4 is a top view thereof;
FIG. 5 is a bottom view thereof;
FIG. 6 is a left side view with the arms closed thereof; and,
FIG. 7 is a right side view with the arms closed thereof.
The broken lines in the drawings depict portions of the robot which form no part of the claimed design.

1 Claim, 7 Drawing Sheets



(56)

References Cited

U.S. PATENT DOCUMENTS

2015/0224640 A1* 8/2015 Vu B25J 5/007
700/259
2016/0327383 A1* 11/2016 Becker G01B 11/005
2018/0099810 A1* 4/2018 Wu B65G 1/0492
2019/0133396 A1* 5/2019 Lim A47L 5/12
2019/0270472 A1* 9/2019 Akamatsu B62B 5/0093

* cited by examiner

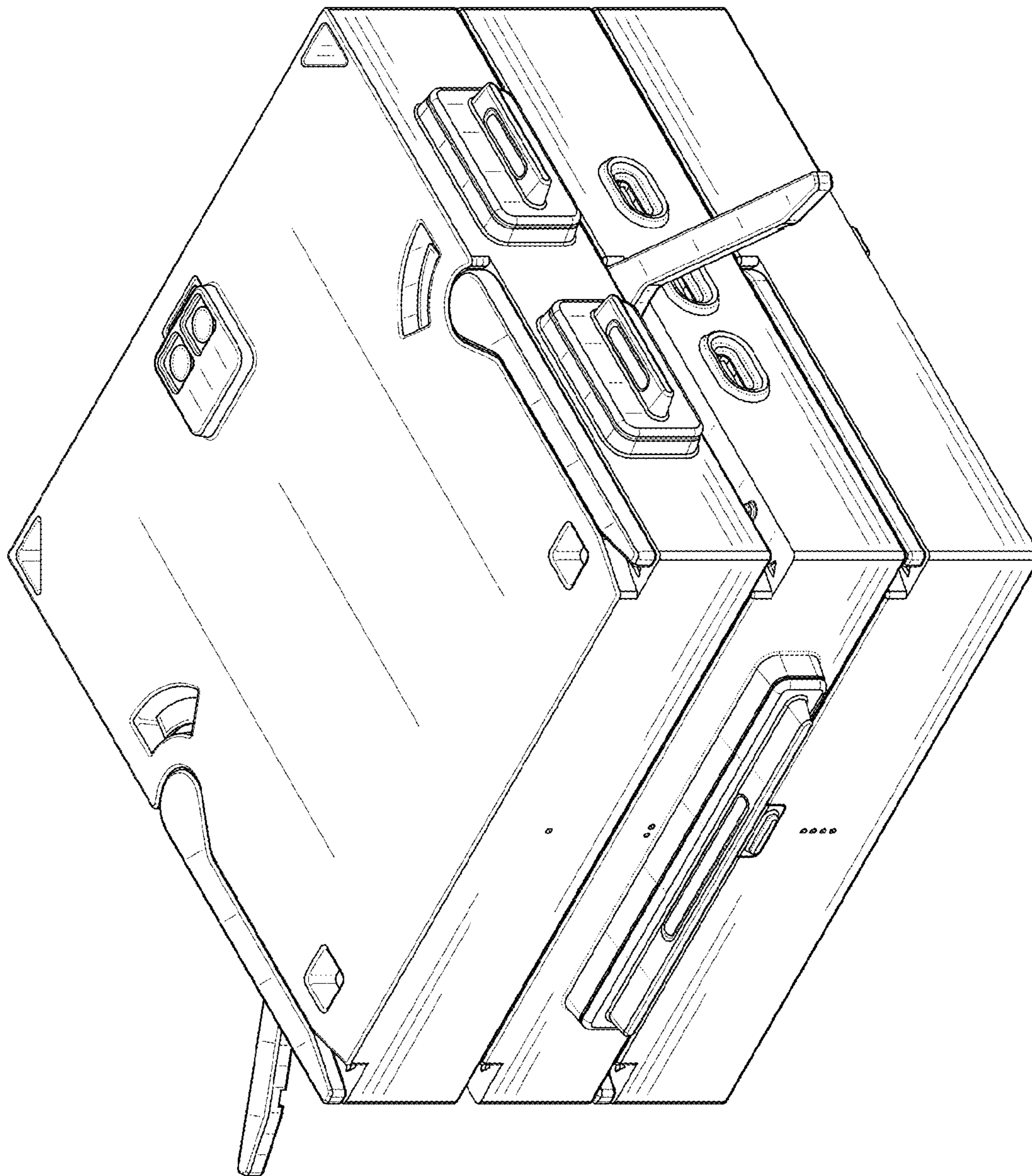


FIG. 1

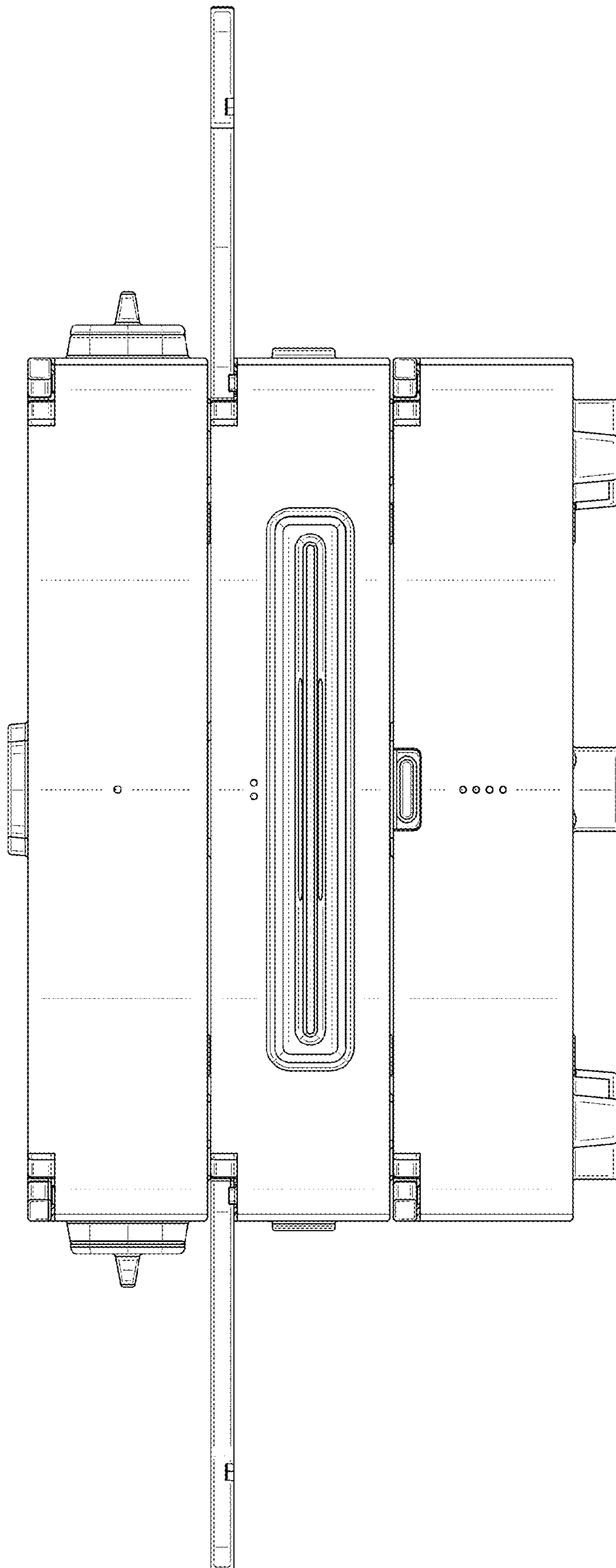


FIG. 2

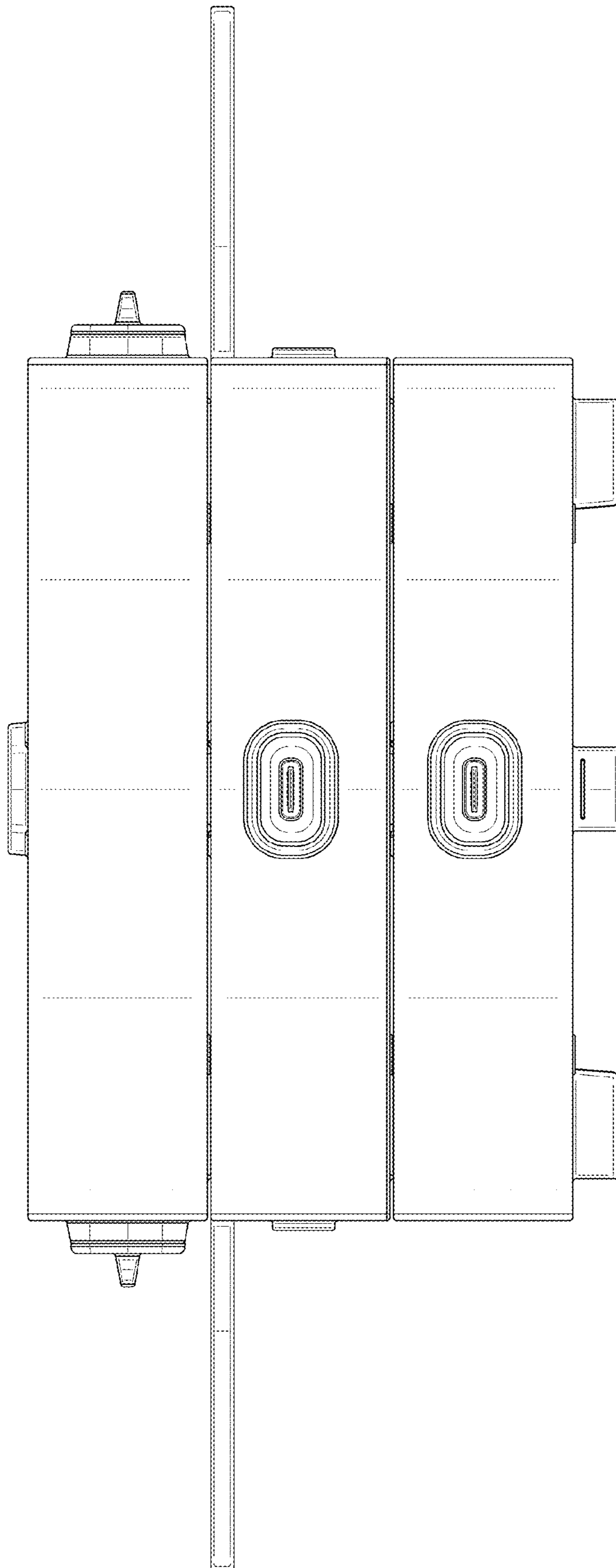


FIG. 3

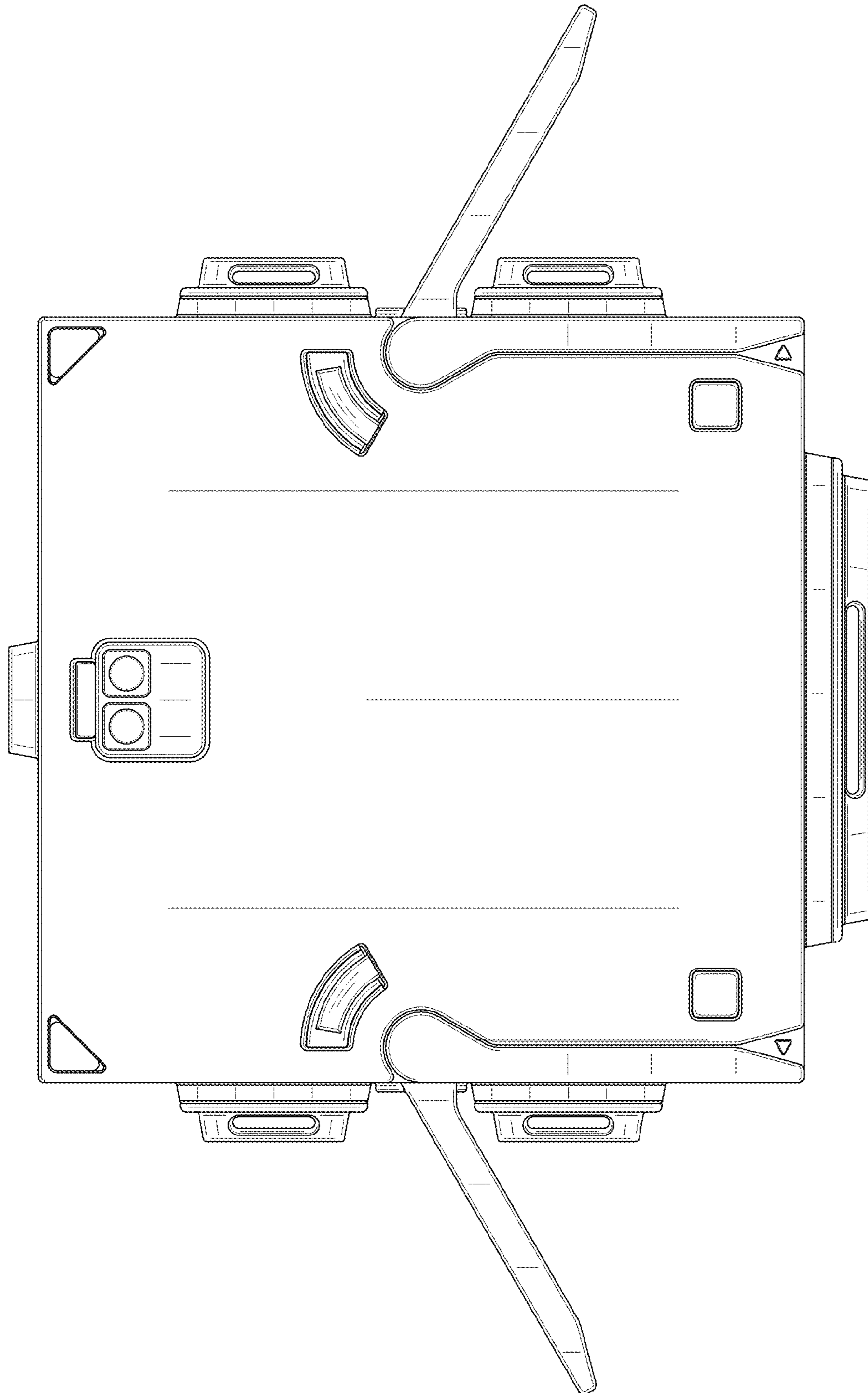


FIG. 4

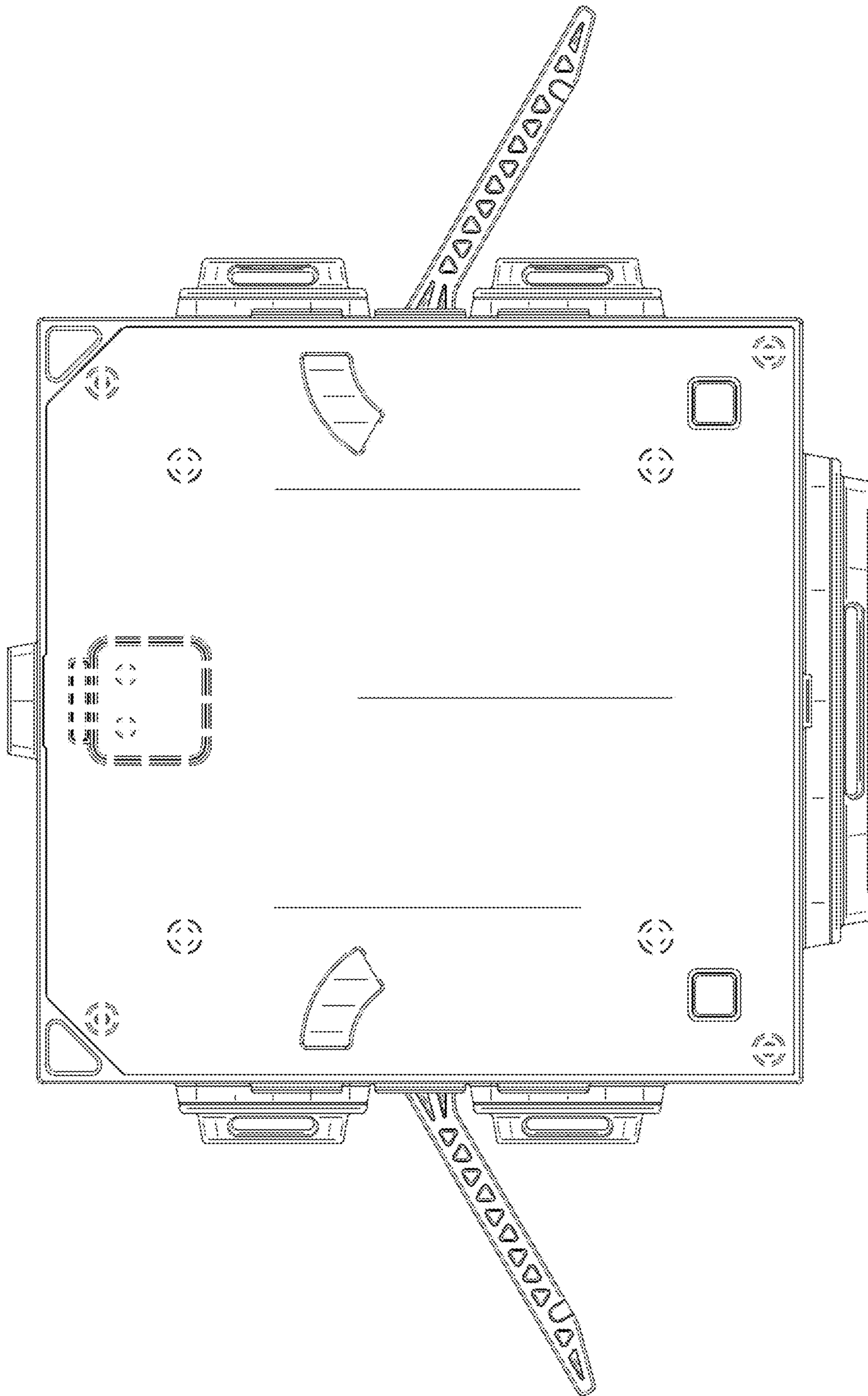


FIG. 5

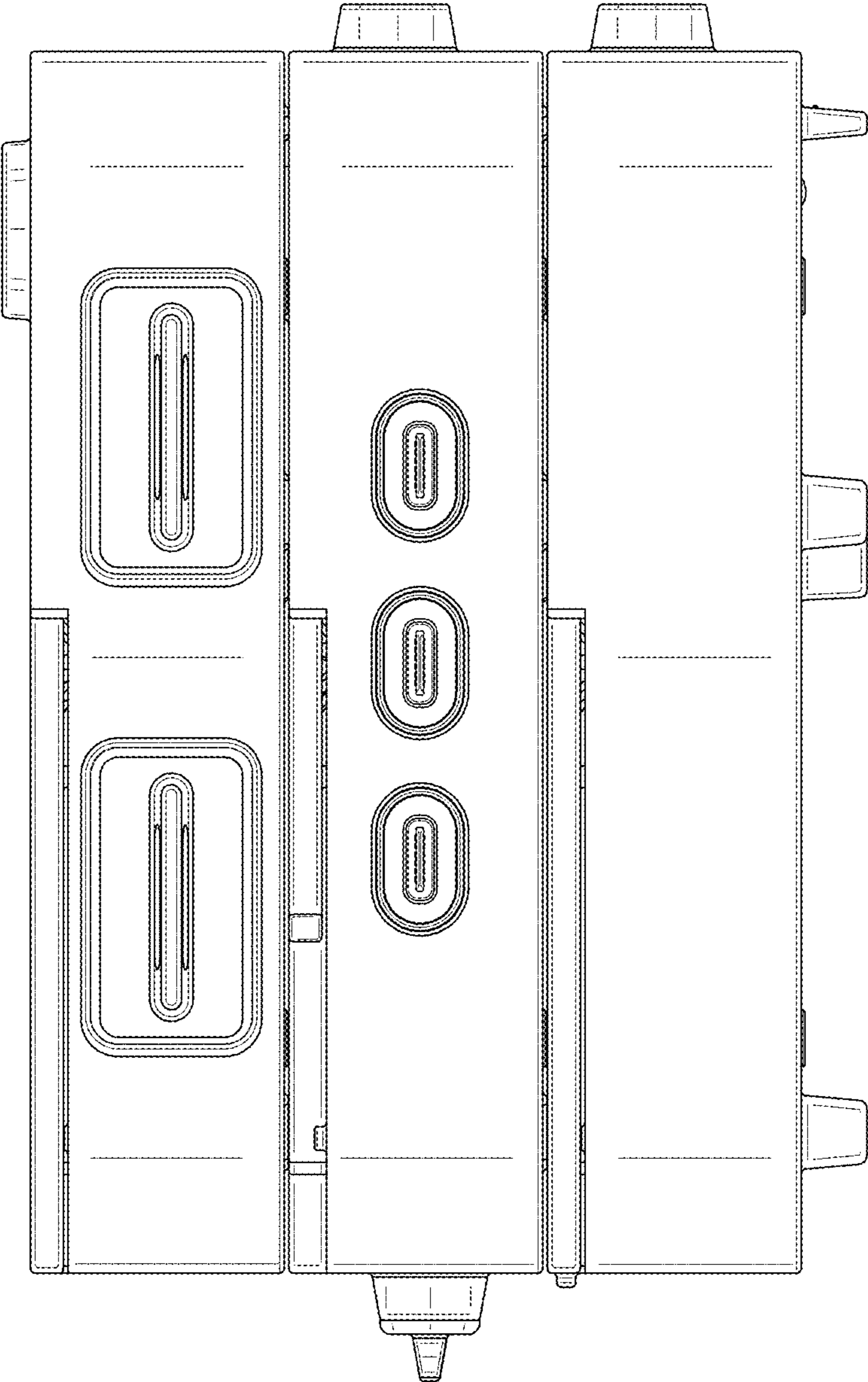


FIG. 6

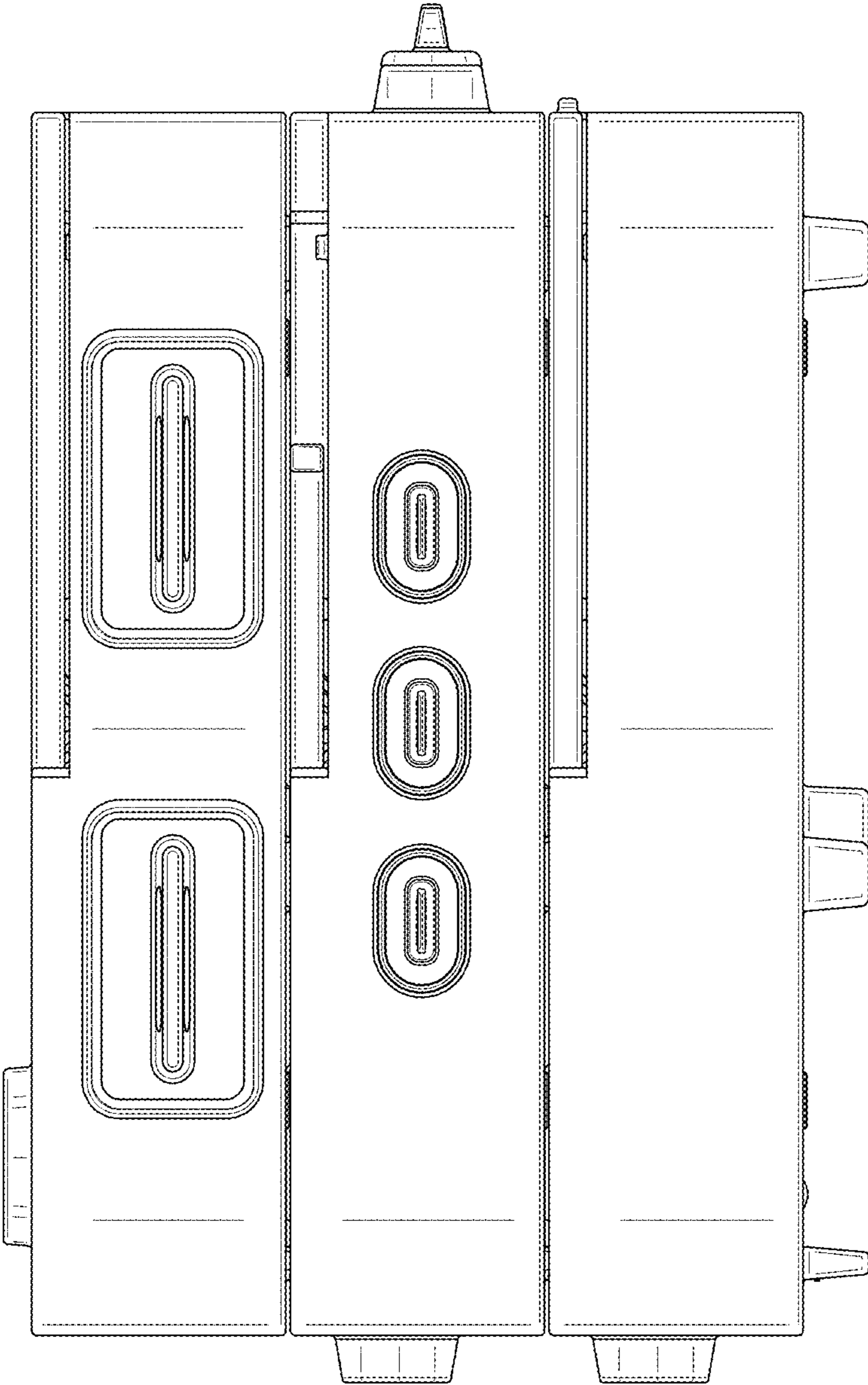


FIG. 7