



US00D919684S

(12) **United States Design Patent** (10) **Patent No.:** **US D919,684 S**  
**Born et al.** (45) **Date of Patent:** **\*\* May 18, 2021**

(54) **TRANSMISSION REAR HOUSING**  
(71) Applicant: **Eaton Cummins Automated Transmission Technologies, LLC**, Galesburg, MI (US)  
(72) Inventors: **Gregory Joseph Born**, Battle Creek, MI (US); **Timothy Scott Smith**, Paw Paw, MI (US)  
(73) Assignee: **Eaton Cummins Automated Transmission Technologies, LLC**, Galesburg, MI (US)

4,361,060 A 11/1982 Smyth  
4,576,062 A 3/1986 Reppert et al.  
4,788,889 A 12/1988 Davis et al.  
5,085,303 A 2/1992 Frost  
D335,290 S 5/1993 Flotow  
5,323,740 A 6/1994 Daily et al.  
5,335,562 A 8/1994 Mastroianni et al.

(Continued)

**FOREIGN PATENT DOCUMENTS**

CN 304483017 1/2018  
CN 304553505 3/2018

(Continued)

(\*\*) Term: **15 Years**  
(21) Appl. No.: **29/768,782**  
(22) Filed: **Feb. 1, 2021**

**OTHER PUBLICATIONS**

U.S. Appl. No. 29/705,621, filed Sep. 13, 2019, Timothy Scott Smith et al., Pending.

(Continued)

**Related U.S. Application Data**

(62) Division of application No. 29/595,580, filed on Feb. 28, 2017.  
(51) **LOC (13) Cl.** ..... **15-99**  
(52) **U.S. Cl.**  
USPC ..... **D15/149**  
(58) **Field of Classification Search**  
USPC ..... 15/5, 7, 9, 9.1, 148, 149  
CPC .. F16D 2300/26; F16H 57/02; F16H 63/3026;  
F16H 2057/087; F16H 2057/02047; Y10T  
29/49464  
See application file for complete search history.

*Primary Examiner* — Patricia A Palasik

(74) *Attorney, Agent, or Firm* — Harness, Dickey & Pierce, P.L.C.

(57) **CLAIM**

The ornamental design for a transmission rear housing, as shown and described.

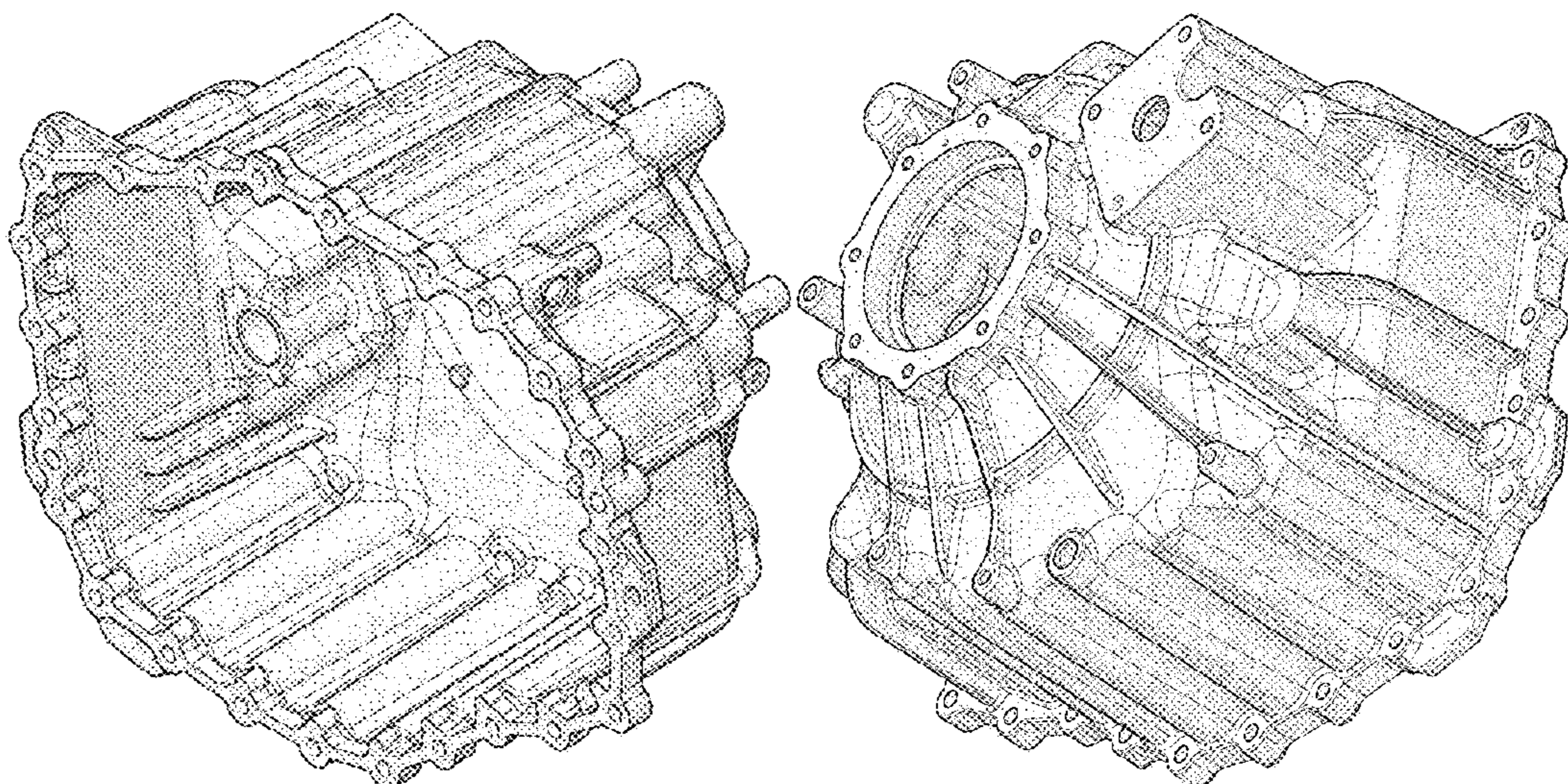
**DESCRIPTION**

FIG. 1 is a front perspective view of a transmission rear housing;  
FIG. 2 is a rear perspective view thereof;  
FIG. 3 is another rear perspective view thereof;  
FIG. 4 is another front perspective view thereof;  
FIG. 5 is a front view thereof;  
FIG. 6 is a rear view thereof;  
FIG. 7 is a first side view thereof;  
FIG. 8 is a second side view thereof;  
FIG. 9 is a third side view thereof; and,  
FIG. 10 is a fourth side view thereof.

**1 Claim, 10 Drawing Sheets**

(56) **References Cited**  
U.S. PATENT DOCUMENTS

2,479,183 A 8/1949 Peterson et al.  
2,857,772 A 10/1958 Gamier et al.  
D195,488 S 6/1963 Sadler  
3,572,167 A 3/1971 Bosko et al.  
3,600,963 A 8/1971 Portmann  
4,081,065 A 3/1978 Smyth et al.  
4,109,960 A 8/1978 Stinchfield



(56)

References Cited

U.S. PATENT DOCUMENTS

5,375,569 A 12/1994 Santella  
 5,390,497 A 2/1995 Cottam  
 D358,782 S 5/1995 Louwagie et al.  
 5,421,216 A 6/1995 Stine  
 5,492,034 A 2/1996 Bogema  
 5,513,603 A 5/1996 Ang et al.  
 5,517,876 A 5/1996 Genise et al.  
 5,577,588 A 11/1996 Raszkowski  
 D377,657 S 1/1997 Winters, Sr.  
 5,638,930 A 6/1997 Parsons  
 D403,004 S 12/1998 Kaye  
 5,910,068 A 6/1999 Krauss et al.  
 6,186,302 B1 2/2001 Drexl et al.  
 6,393,928 B1 5/2002 Watanabe  
 6,453,892 B1 9/2002 Plunkett et al.  
 6,591,705 B1 7/2003 Reik et al.  
 7,055,384 B2 6/2006 Williams et al.  
 D533,567 S 12/2006 D'Amico  
 D544,509 S 6/2007 Tiller et al.  
 7,441,533 B1 10/2008 Miller et al.  
 7,509,885 B2 3/2009 Gerlofs et al.  
 D604,347 S 11/2009 Wittenstein  
 D632,305 S 2/2011 Sargeant  
 D650,812 S 12/2011 Hsu et al.  
 8,413,545 B1 4/2013 Reid  
 8,833,321 B2 9/2014 Sands et al.  
 D722,630 S 2/2015 Hatano  
 9,133,892 B2 9/2015 Bamholt  
 D787,996 S 5/2017 Rode et al.  
 D795,296 S 8/2017 Luft et al.  
 D834,475 S 11/2018 Rode et al.  
 D845,197 S 4/2019 Wang  
 D866,625 S 11/2019 Born et al.  
 D873,318 S 1/2020 Andersson et al.  
 D877,221 S 3/2020 Monette et al.  
 D881,248 S 4/2020 Monette et al.  
 D886,878 S 6/2020 Jumper  
 D914,073 S \* 3/2021 Born ..... D15/149  
 2001/0022245 A1 9/2001 Rogg  
 2002/0125094 A1 9/2002 Zimmermann et al.  
 2004/0069082 A1 4/2004 Koenig et al.  
 2004/0159522 A1 8/2004 Conrad et al.  
 2005/0029068 A1 2/2005 Koenig et al.  
 2005/0109141 A1 5/2005 DeVore et al.  
 2005/0217966 A1 10/2005 Hornbrook et al.  
 2006/0113156 A1 6/2006 McCutcheon et al.  
 2006/0116232 A1 6/2006 McCutcheon  
 2006/0185456 A1 8/2006 Gerlofs et al.  
 2006/0213300 A1 9/2006 Petzold et al.  
 2006/0219033 A1 10/2006 Gitt  
 2007/0107545 A1 5/2007 Seipold  
 2007/0155572 A1 7/2007 Sugano  
 2008/0173273 A1 7/2008 Cunningham  
 2009/0038579 A1 2/2009 Shieh et al.  
 2010/0133056 A1 6/2010 McCutcheon et al.  
 2011/0214522 A1 9/2011 Sporleder et al.  
 2011/0256976 A1 10/2011 Burgbacher et al.  
 2011/0314943 A1 12/2011 Brandenburg  
 2012/0157258 A1 6/2012 Meyer et al.  
 2013/0139643 A1 6/2013 Reid  
 2013/0315707 A1 11/2013 Spanel et al.  
 2013/0333908 A1 12/2013 Lennartz et al.  
 2014/0090499 A1 4/2014 Fernandez  
 2014/0163829 A1 6/2014 Yoon et al.  
 2015/0126321 A1 5/2015 Mittelberger et al.  
 2015/0226295 A1 8/2015 Forsberg  
 2015/0267778 A1 9/2015 Peterson et al.  
 2017/0350494 A1 12/2017 Weule  
 2018/0178798 A1 6/2018 Peterson et al.  
 2018/0178803 A1 6/2018 Kawale et al.  
 2018/0178804 A1 6/2018 Kawale et al.  
 2018/0180148 A1 6/2018 Peterson et al.  
 2018/0180149 A1 6/2018 Peterson et al.  
 2018/0180166 A1 6/2018 Peterson et al.  
 2018/0180167 A1 6/2018 Peterson et al.

2018/0180168 A1 6/2018 Peterson et al.  
 2018/0180500 A1 6/2018 Hawarden et al.  
 2018/0306305 A1 10/2018 Braun et al.  
 2019/0353210 A1 11/2019 Custer et al.

FOREIGN PATENT DOCUMENTS

CN 304553981 3/2018  
 CN 304593000 4/2018  
 CN 304593001 4/2018  
 DE 10334628 A1 8/2004  
 EM 004168748-0001 9/2017  
 EM 004168748-0002 9/2017  
 EM 004168748-0003 9/2017  
 EM 004168748-0004 9/2017  
 EM 004168748-0005 9/2017  
 EM 004168748-0006 9/2017  
 EM 004168748-0007 9/2017  
 EM 004168748-0008 9/2017  
 EM 004168748-0009 9/2017  
 EM 004168748-0010 9/2017  
 EM 004168748-0011 9/2017  
 EM 004168748-0012 9/2017  
 EM 004169035-0001 9/2017  
 EM 004169035-0002 9/2017  
 EM 004169035-0003 9/2017  
 EM 004169035-0004 9/2017  
 EM 004169035-0005 9/2017  
 EM 004169035-0006 9/2017  
 EM 004169035-0007 9/2017  
 EM 004169035-0008 9/2017  
 EM 004169035-0009 9/2017  
 EM 004169035-0010 9/2017  
 EM 004169035-0011 9/2017  
 EM 004169035-0012 9/2017  
 EM 004169035-0013 9/2017  
 EM 004169167-0001 9/2017  
 EM 004169167-0002 9/2017  
 EM 004169167-0003 9/2017  
 EM 004169167-0004 9/2017  
 EM 004169167-0005 9/2017  
 EM 004169167-0006 9/2017  
 EM 004169167-0007 9/2017  
 EM 004169167-0008 9/2017  
 EM 004169167-0009 9/2017  
 EM 004169167-0010 9/2017  
 EM 004169167-0011 9/2017  
 EM 004169167-0012 9/2017  
 EM 004169167-0013 9/2017  
 EM 004169167-0014 9/2017  
 EM 004169167-0015 9/2017  
 EM 004169167-0016 9/2017  
 EM 004162212-0001 10/2017  
 EM 004162212-0002 10/2017  
 EM 004162212-0003 10/2017  
 EM 004162212-0004 10/2017  
 EM 004162212-0005 10/2017  
 EM 004162212-0006 10/2017  
 EP 1837560 A2 9/2007  
 JP 2012219972 A 11/2012  
 WO 2013068175 A1 5/2013  
 WO 2018112304 A1 6/2018  
 WO 2018118124 A1 6/2018  
 WO 2018118125 A1 6/2018  
 WO 2018118126 A1 6/2018  
 WO 2018118127 A1 6/2018  
 WO 2018118128 A1 6/2018  
 WO 2018118129 A1 6/2018  
 WO 2018118130 A1 6/2018  
 WO 2018118131 A1 6/2018  
 WO 2018118132 A1 6/2018  
 WO 2018119396 A1 6/2018

OTHER PUBLICATIONS

U.S. Appl. No. 29/595,583, filed Feb. 28, 2017, Gregory Joseph  
 Born, Pending.

(56)

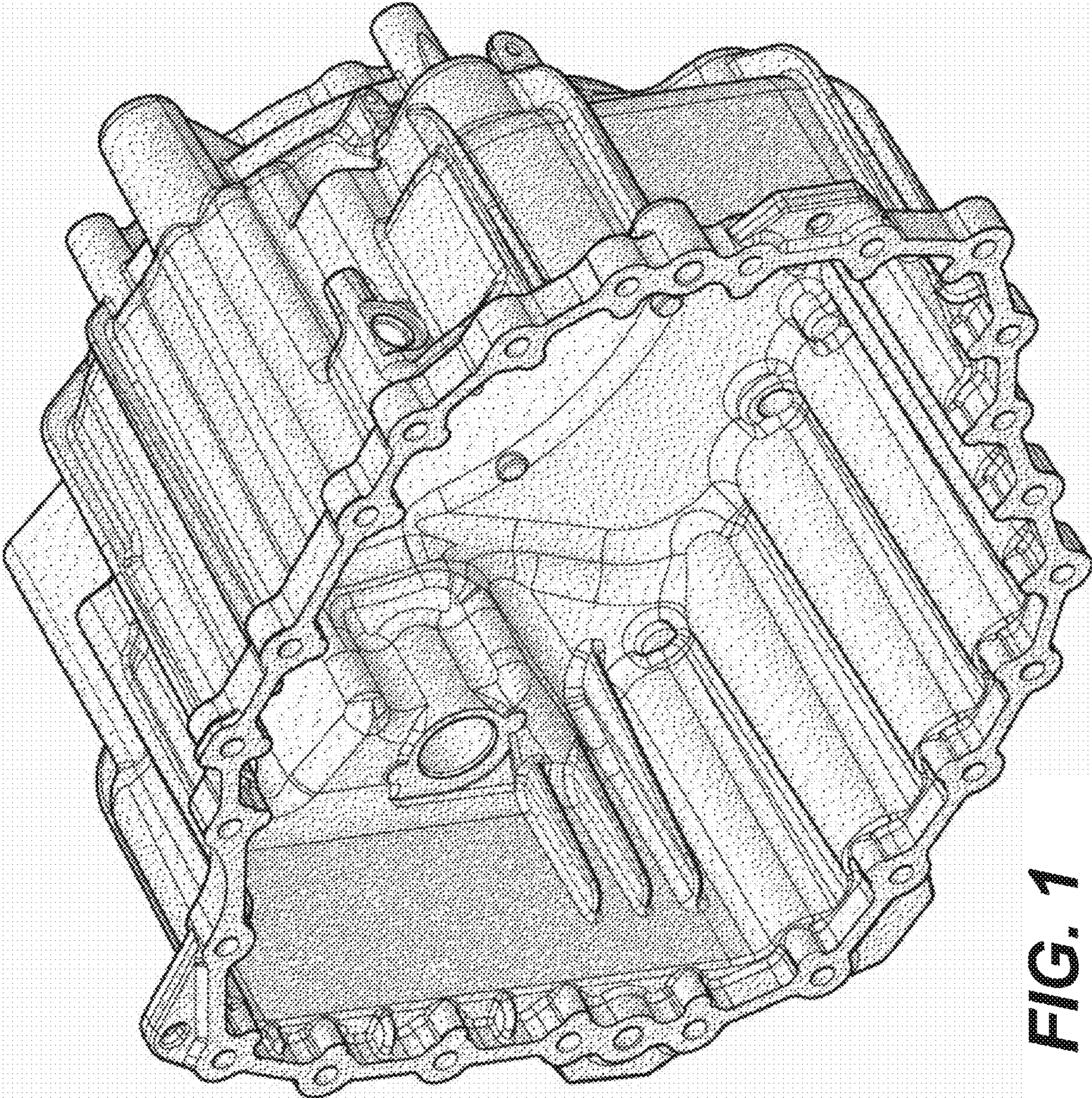
**References Cited**

OTHER PUBLICATIONS

U.S. Appl. No. 29/595,584, filed Feb. 28, 2017, Daniel Alan Monette, Granted.  
U.S. Appl. No. 29/705,787, filed Sep. 16, 2019, Daniel Alan Monette, Granted.  
U.S. Appl. No. 29/595,582, filed Feb. 28, 2017,, Gregory Joseph Born, Granted.  
U.S. Appl. No. 29/705,720, filed Sep. 13, 2019, Timothy Scott Smith, Pending.  
U.S. Appl. No. 29/705,723, filed Sep. 13, 2019, Timothy Scott Smith, Pending.  
U.S. Appl. No. 29/705,725, filed Sep. 13, 2019, Timothy Scott Smith, Pending.  
PCT/US2017/044491, "International Application Serial No. PCT/US2017/044491, International Search Report and Written Opinion Received dated Dec. 26, 2017", Eaton Corporation, 25 Pages.  
PCT/US2017/044495, "Application Serial No. PCT/US2017/044495, International Search Report and the Written opinion dated Oct. 13, 2017", 9 pages.  
PCT/US2017/044502, "Application Serial No. PCT/US2017/044502, International Search Report and the Written opinion dated Sep. 27, 2017", 7 pages.  
PCT/US2017/044505, "Application Serial No. PCT/US2017/044505, International Search Report and the Written opinion dated Nov. 13, 2017", 13 pages.  
PCT/US2017/044512, "Application Serial No. PCT/US2017/044512, International Search Report and the Written Opinion dated Nov. 13, 2017", 14 pages.

PCT/US2017/044514, "Application Serial No. PCT/US2017/044514, International Search Report and the Written opinion dated Sep. 27, 2017", 7 pages.  
PCT/US2017/044518, "Application Serial No. PCT/US2017/044518, International Search Report and the Written opinion dated Oct. 10, 2017", 12 pages.  
PCT/US2017/044524, "Application Serial No. PCT/US2017/044524, International Search Report and the Written opinion dated Oct. 5, 2017", 9 pages.  
PCT/US2017/044531, "International Application Serial No. PCT/US2017/044531, International Preliminary Report on Patentability and Written Opinion dated Oct. 18, 2017", Eaton Corporation, 8 Pages.  
PCT/US2017/066594, "International Application Serial No. PCT/US2017/066594, International Search Report and Written Opinion dated Feb. 14, 2018", Eaton Corporation, 13 Pages.  
PCT/US2017/068188, "International Application Serial No. PCT/US2017/068188, International Search Report and Written Opinion dated Feb. 22, 2018", Eaton Corporation, 13 pages.  
U.S. Office Action dated Aug. 20, 2020 (corresponding to U.S. Appl. No. 29/595,583).  
U.S. Office Action (Election-Restriction Requirement) dated Oct. 6, 2020 (corresponding to U.S. Appl. No. 29/705,723).  
U.S. Notice of Allowance dated Sep. 30, 2020 (corresponding to U.S. Appl. No. 29/705,621).  
U.S. Office Action (Election-Restriction Requirement) dated Oct. 6, 2020 (corresponding to U.S. Appl. No. 29/705,720).  
U.S. Office Action (Election/Restriction Requirement) dated Oct. 6, 2020 (corresponding to U.S. Appl. No. 29/705,725).

\* cited by examiner



**FIG. 1**

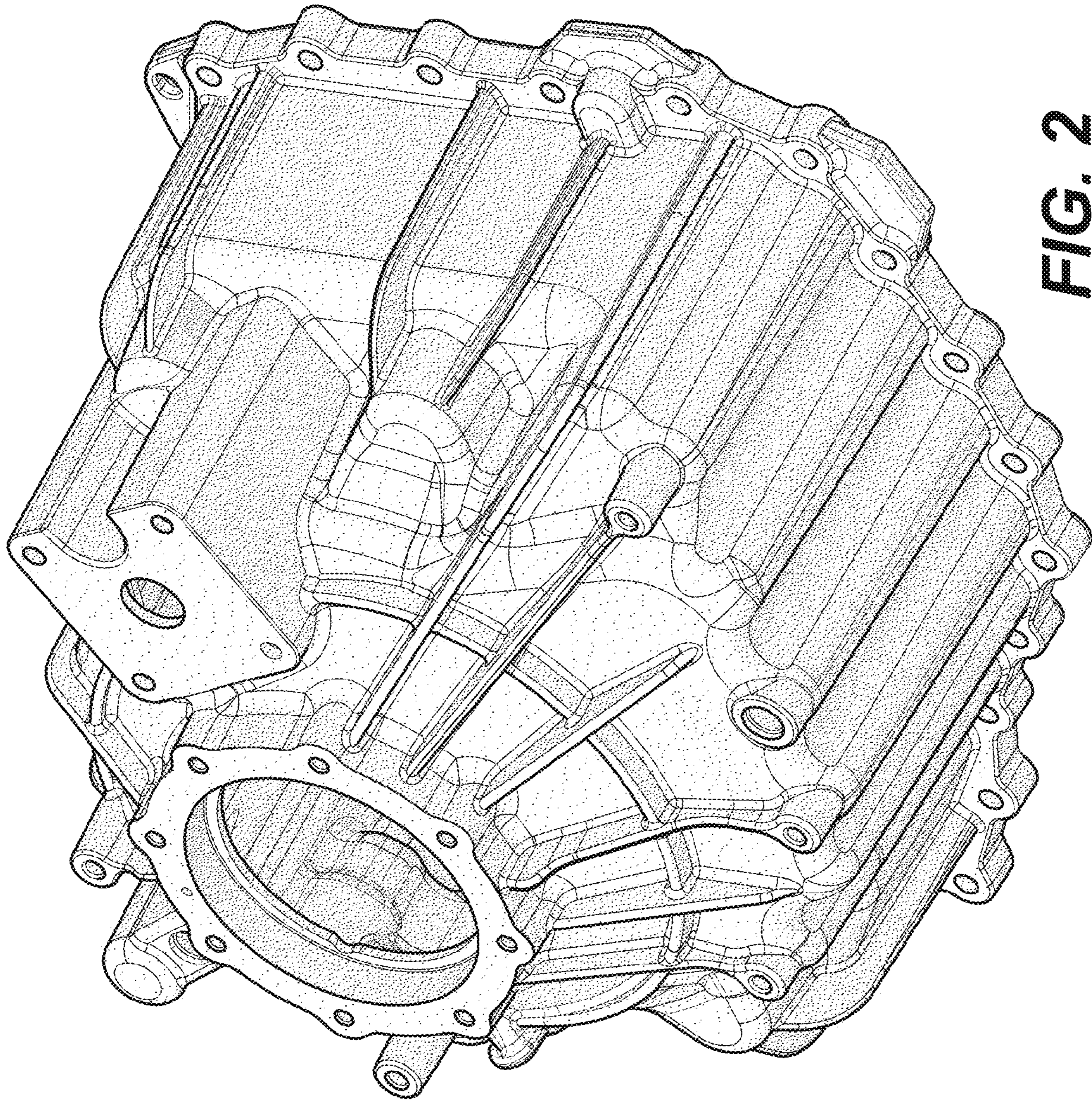


FIG. 2

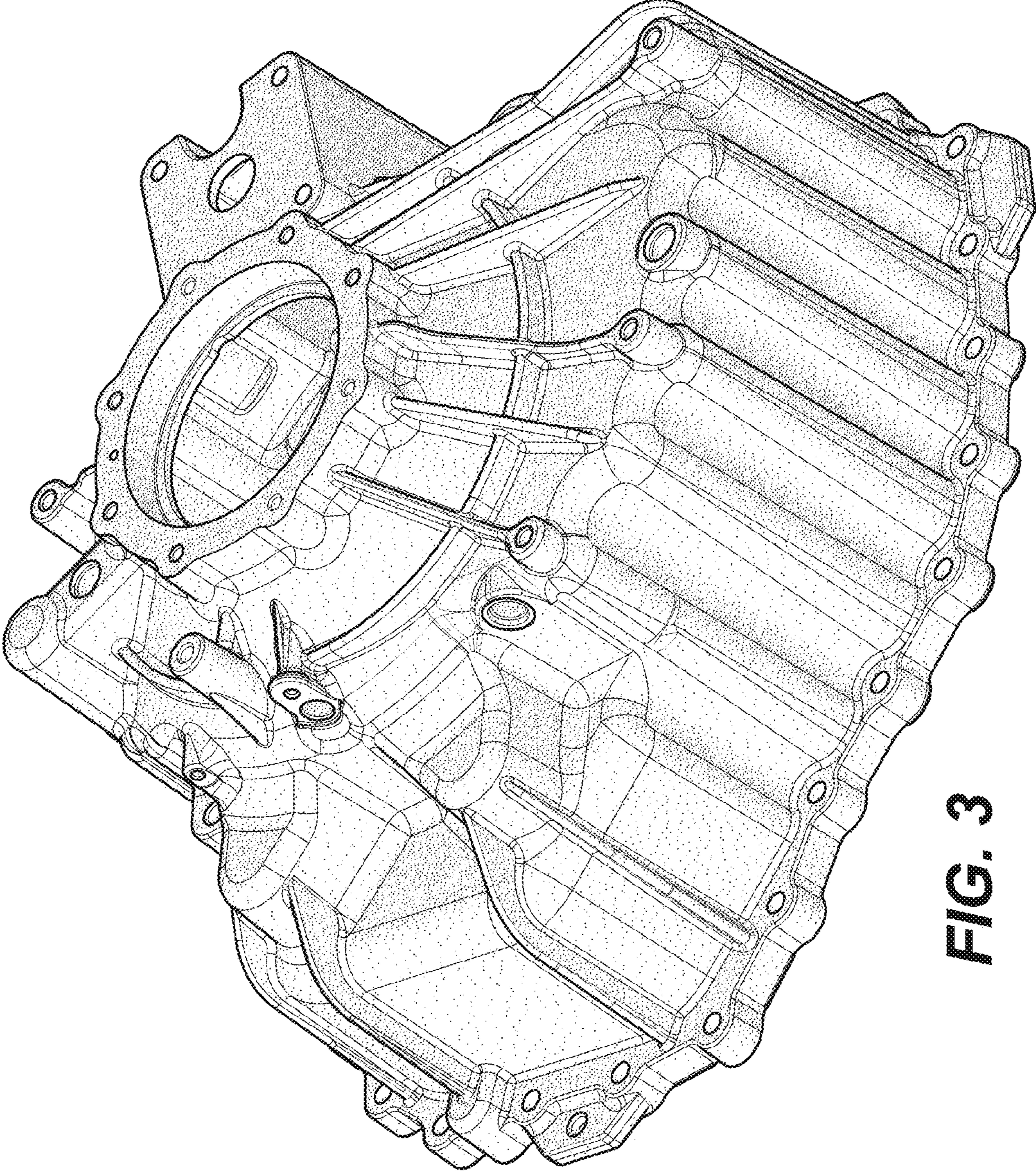


FIG. 3

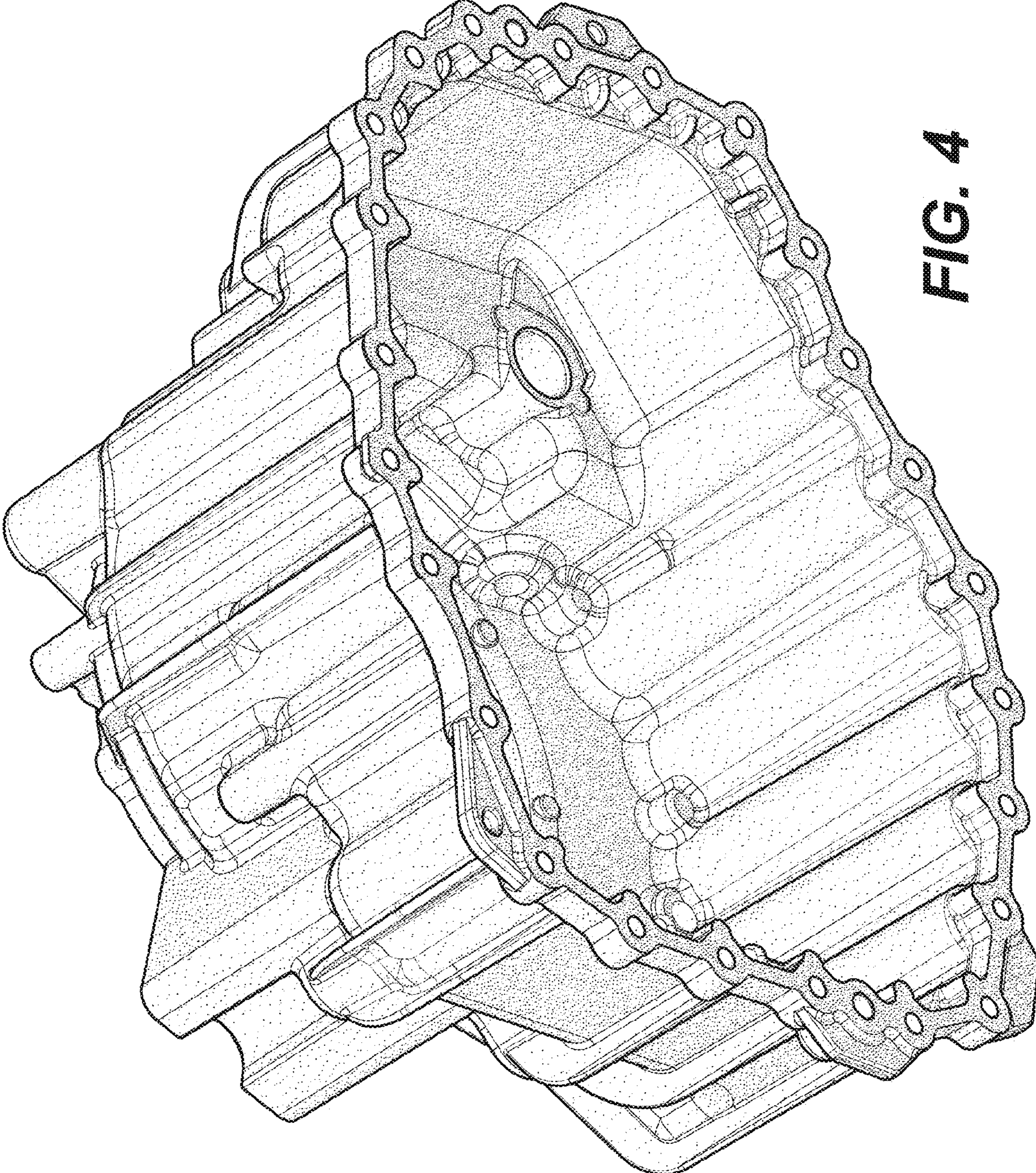


FIG. 4

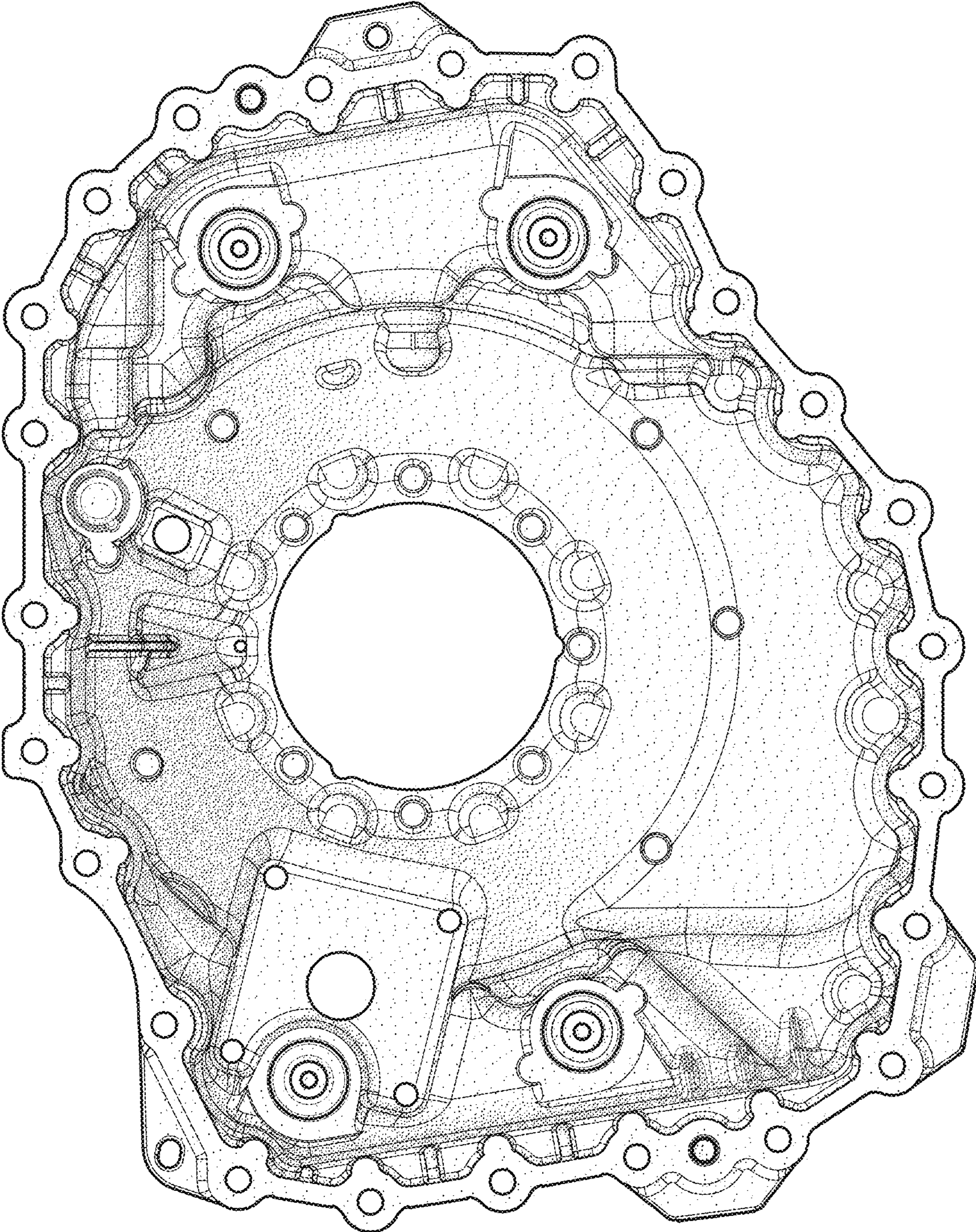
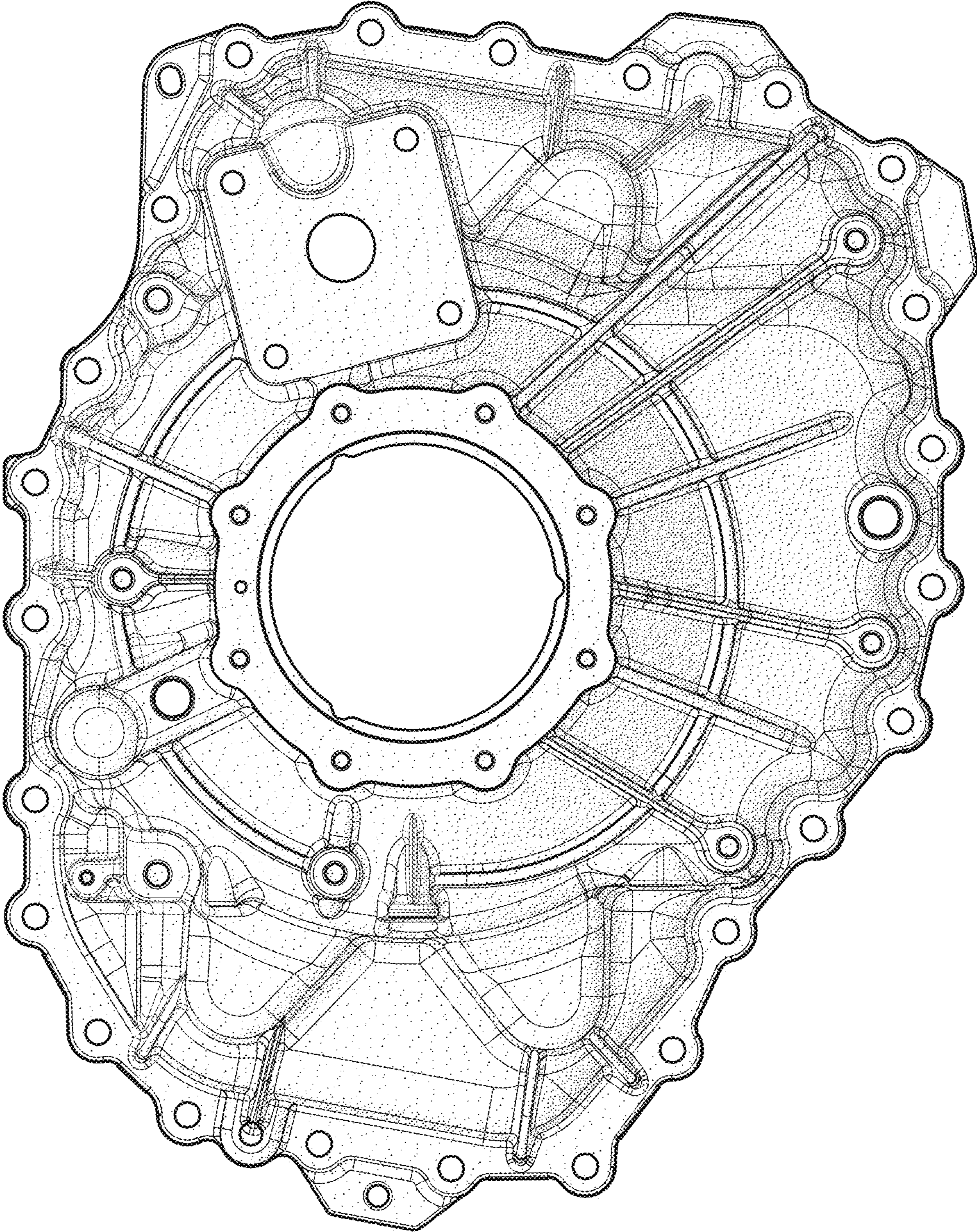
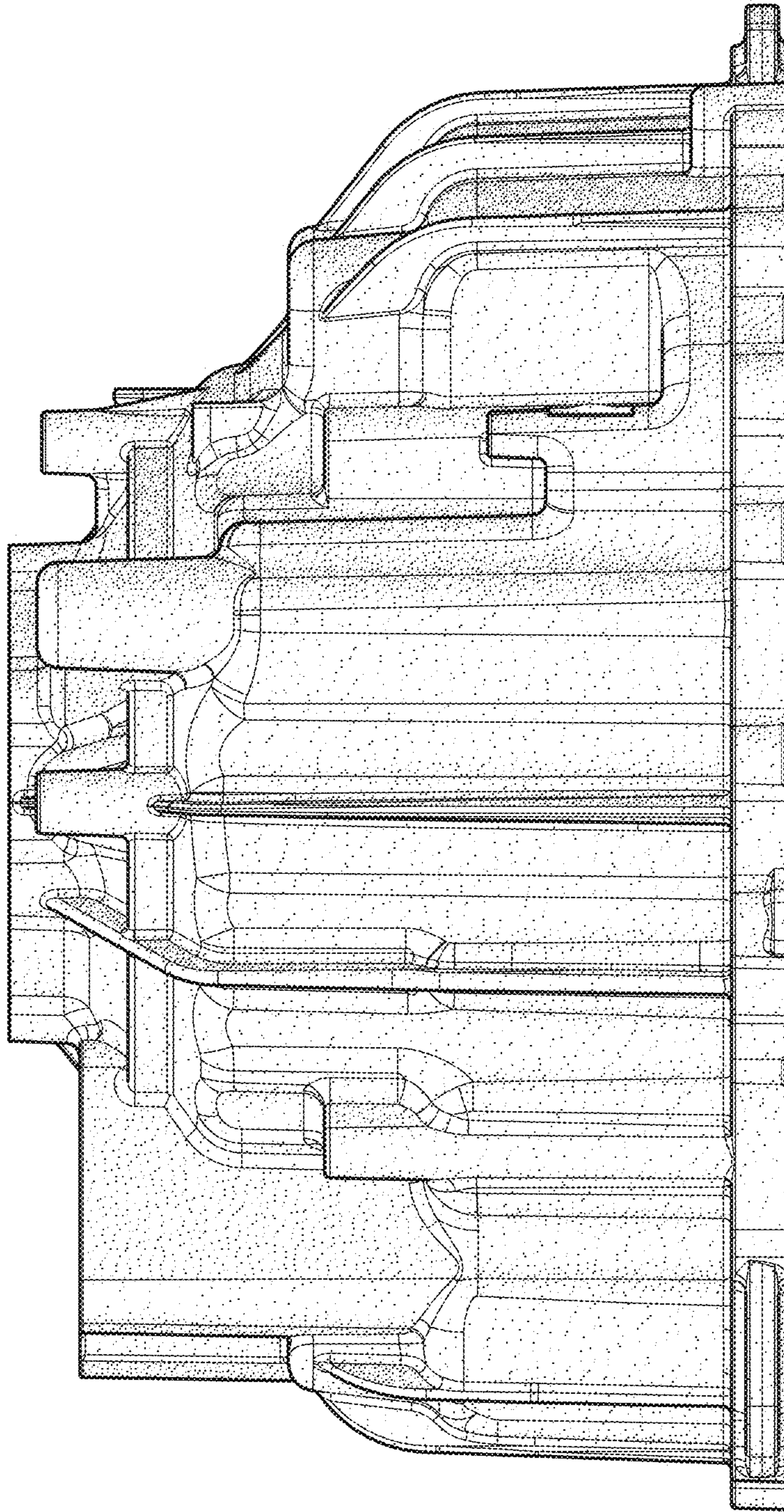


FIG. 5

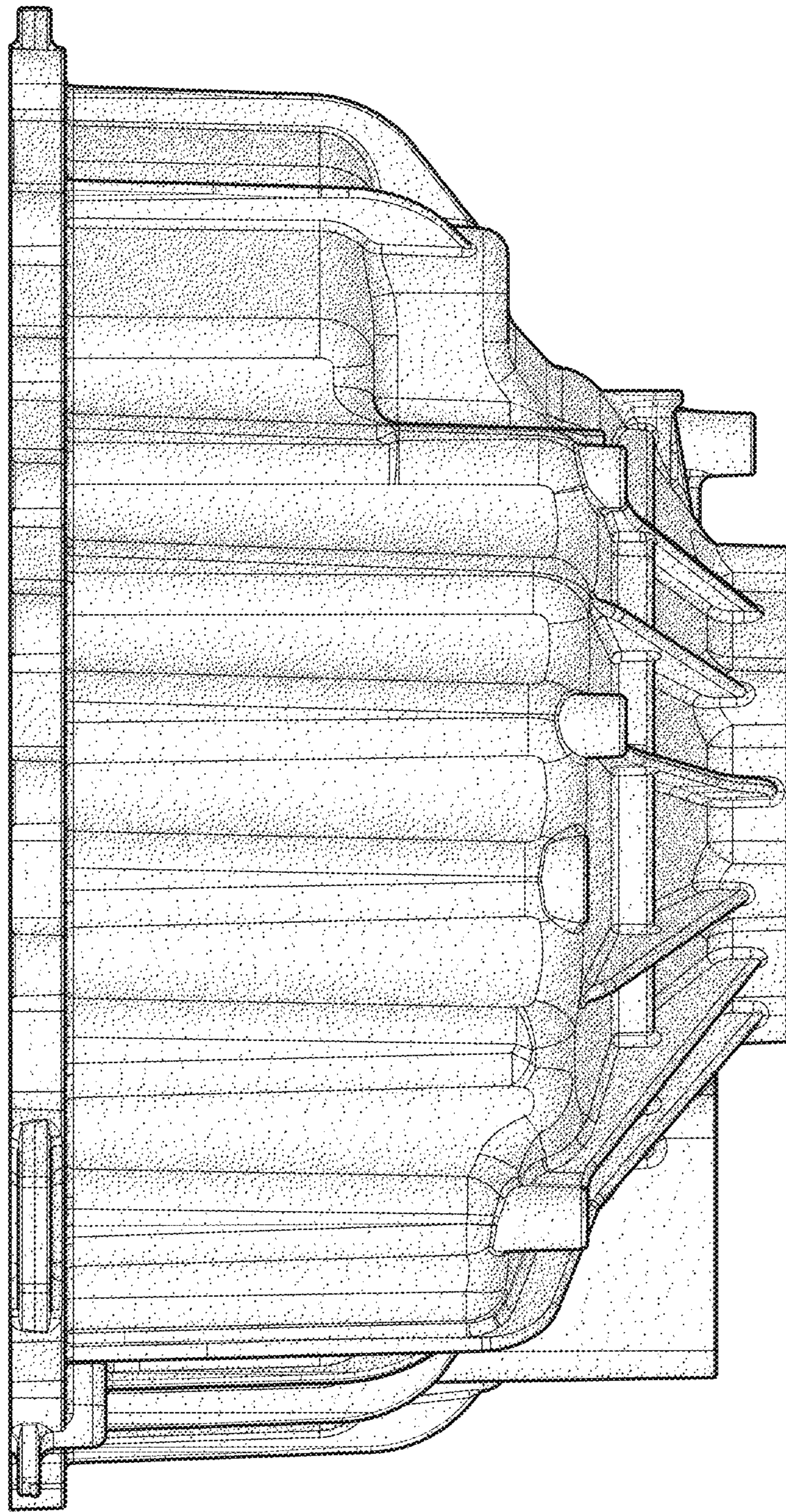




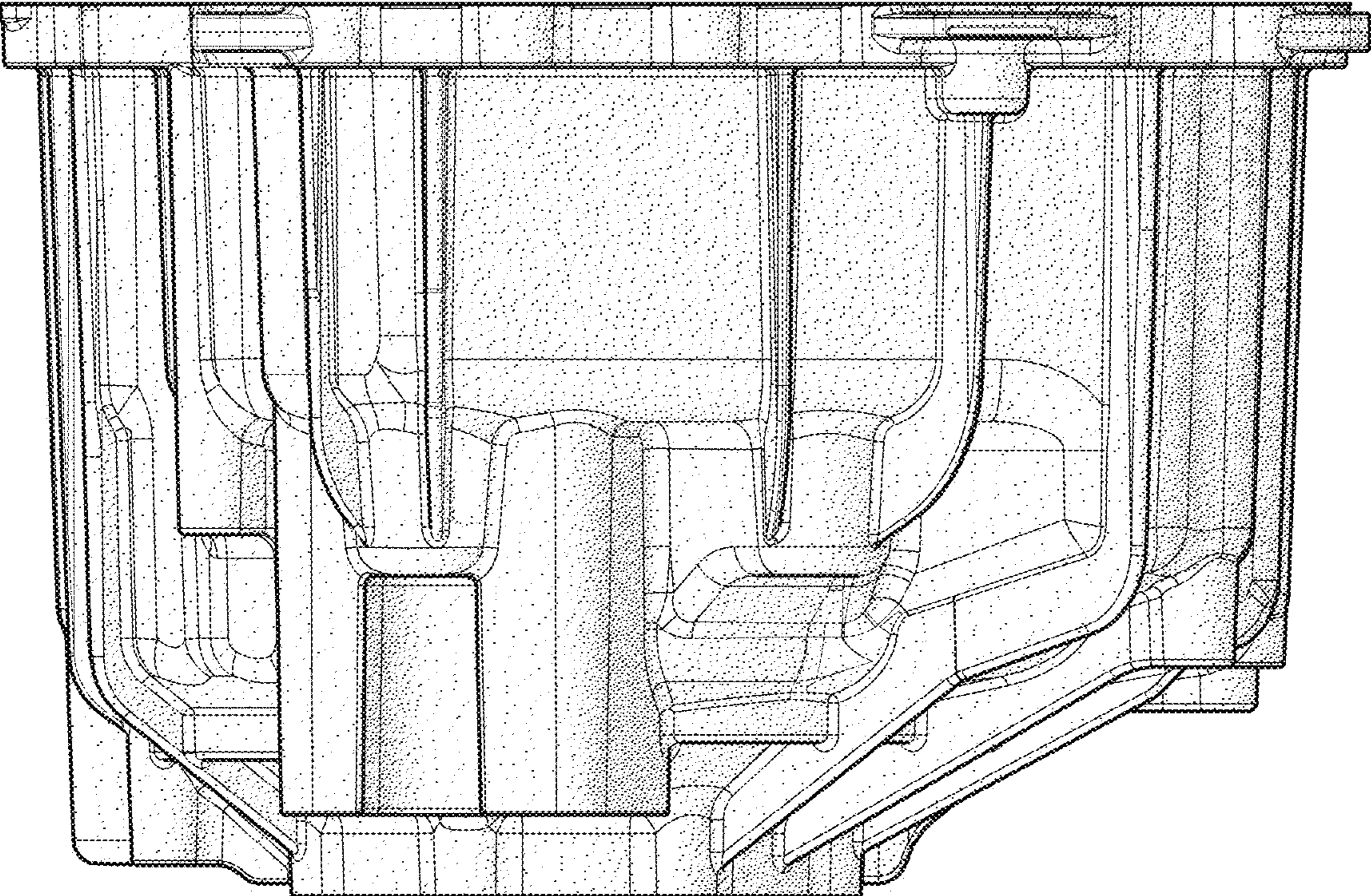
**FIG. 6**



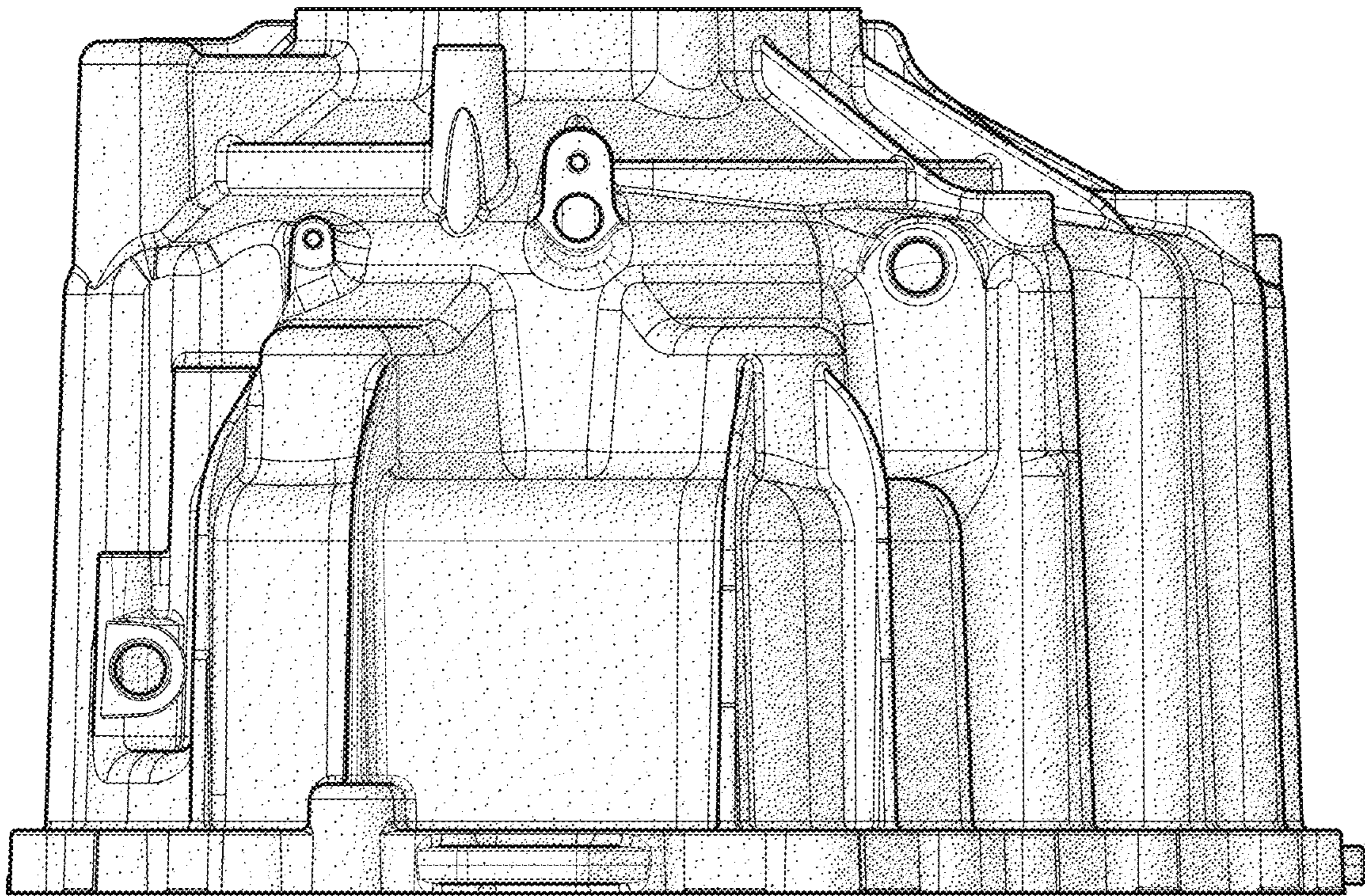
**FIG. 7**



**FIG. 8**



**FIG. 9**



**FIG. 10**