



US00D919683S

(12) **United States Design Patent**
Zhuang

(10) **Patent No.:** **US D919,683 S**

(45) **Date of Patent:** **** May 18, 2021**

(54) **LINEAR ACTUATOR**

(71) Applicant: **TIMOTION TECHNOLOGY CO., LTD.**, New Taipei (TW)

(72) Inventor: **Bing-Sen Zhuang**, New Taipei (TW)

(73) Assignee: **TIMOTION TECHNOLOGY CO., LTD.**, New Taipei (TW)

(**) Term: **15 Years**

(21) Appl. No.: **29/771,497**

(22) Filed: **Feb. 23, 2021**

(51) **LOC (13) Cl.** **15-99**

(52) **U.S. Cl.**
USPC **D15/148**; D15/143

(58) **Field of Classification Search**
USPC D15/7, 9, 143, 148, 149, 199; D10/85;
D23/225, 233, 235
CPC F02M 37/04; F02M 31/14; F04D 29/4286;
F15B 15/14; F15B 15/16; F15B 15/26;
F15B 15/1919; F15B 15/1414; F15B
15/00; F15B 15/08; H02K 7/06; H02K
7/10; F16H 25/18; F16H 25/20; F16H
25/24

See application file for complete search history.

(56) **References Cited**

U.S. PATENT DOCUMENTS

D595,752 S *	7/2009	Lin	D15/143
D656,975 S *	4/2012	Tseng	D15/143
D765,748 S *	9/2016	Bogelund	D15/143
D785,061 S *	4/2017	Gong	D15/148
D785,062 S *	4/2017	Gong	D15/148
D792,490 S *	7/2017	Lin	D15/143
D792,492 S *	7/2017	Lin	D15/143
D800,195 S *	10/2017	Lin	D15/148
D806,153 S *	12/2017	Skov	D15/148
D819,100 S *	5/2018	Lin	D15/148
D821,471 S *	6/2018	Zhuang	D15/148

D851,147 S *	6/2019	Knudsen	D15/148
D852,248 S *	6/2019	Zhuang	D15/148
D861,052 S *	9/2019	Zhuang	D15/143
D865,019 S *	10/2019	Zhou	D15/148
10,605,341 B2 *	3/2020	Wu	H02K 23/20
2009/0151489 A1 *	6/2009	Jensen	F16H 25/20 74/89.33
2010/0236342 A1 *	9/2010	Tseng	F16H 25/20 74/89

(Continued)

OTHER PUBLICATIONS

TiMotion Technology, TA41 Series, (site visited Mar. 16, 2021), timotion.com, URL:< <https://www.timotion.com/en/product/detail/linear-actuators/ta41-series?upcls=1481269298&guid=1556203022>> (Year: 2021).*

(Continued)

Primary Examiner — Sheryl Lane

Assistant Examiner — Mark T. Philipps

(74) *Attorney, Agent, or Firm* — Chun-Ming Shih; HDLS IPR Services

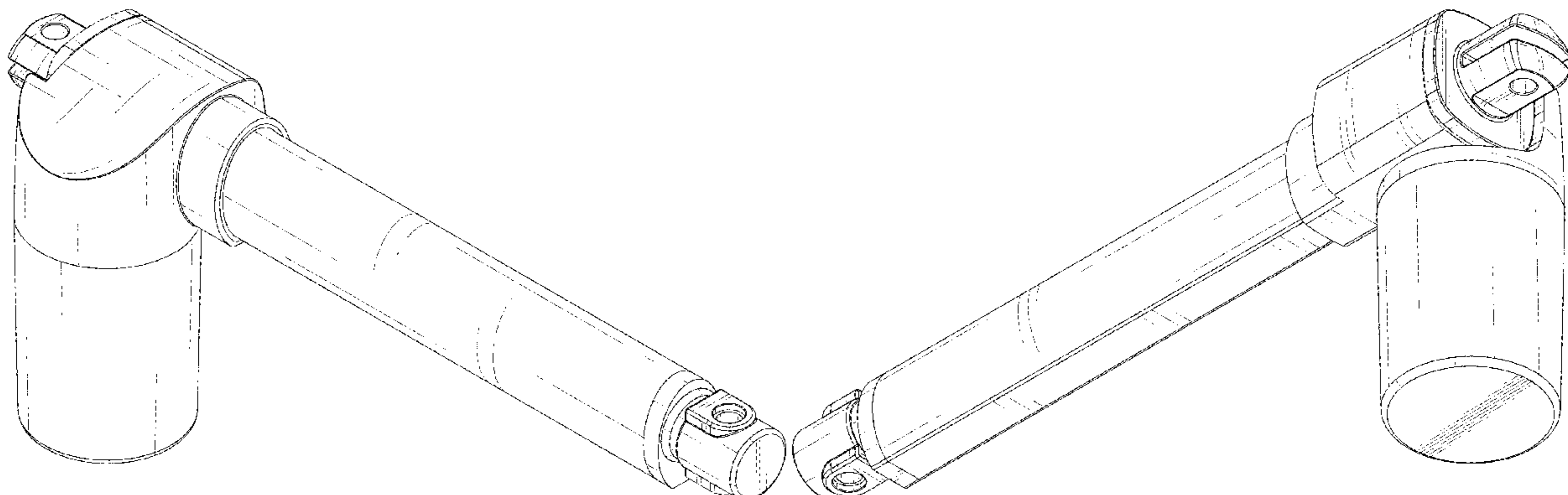
(57) **CLAIM**

The ornamental design for a linear actuator, as shown and described.

DESCRIPTION

FIG. 1 is a perspective view of a linear actuator showing my new design;
FIG. 2 is a front view thereof;
FIG. 3 is a rear view thereof;
FIG. 4 is a left side view thereof;
FIG. 5 is a right side view thereof;
FIG. 6 is a top view thereof;
FIG. 7 is a bottom view thereof;
FIG. 8 is a second perspective view thereof; and,
FIG. 9 is a third perspective view showing the linear actuator.

1 Claim, 9 Drawing Sheets



(56)

References Cited

U.S. PATENT DOCUMENTS

2014/0174225 A1* 6/2014 Wu F16H 25/20
74/89.39
2016/0146317 A1* 5/2016 Tseng F16C 19/545
74/89.37
2017/0331350 A1* 11/2017 Sorensen A61G 7/018
2018/0238426 A1* 8/2018 Hung F16H 25/2454
2020/0008991 A1* 1/2020 Wu A61G 7/015

OTHER PUBLICATIONS

RS Components, RS Pro 1774514, (site visited Mar. 16, 2021), RS Components website, URL:<<https://ph.rs-online.com/web/p/miniature-electric-actuators-rod/1774516/>> (Year: 2021).*

* cited by examiner

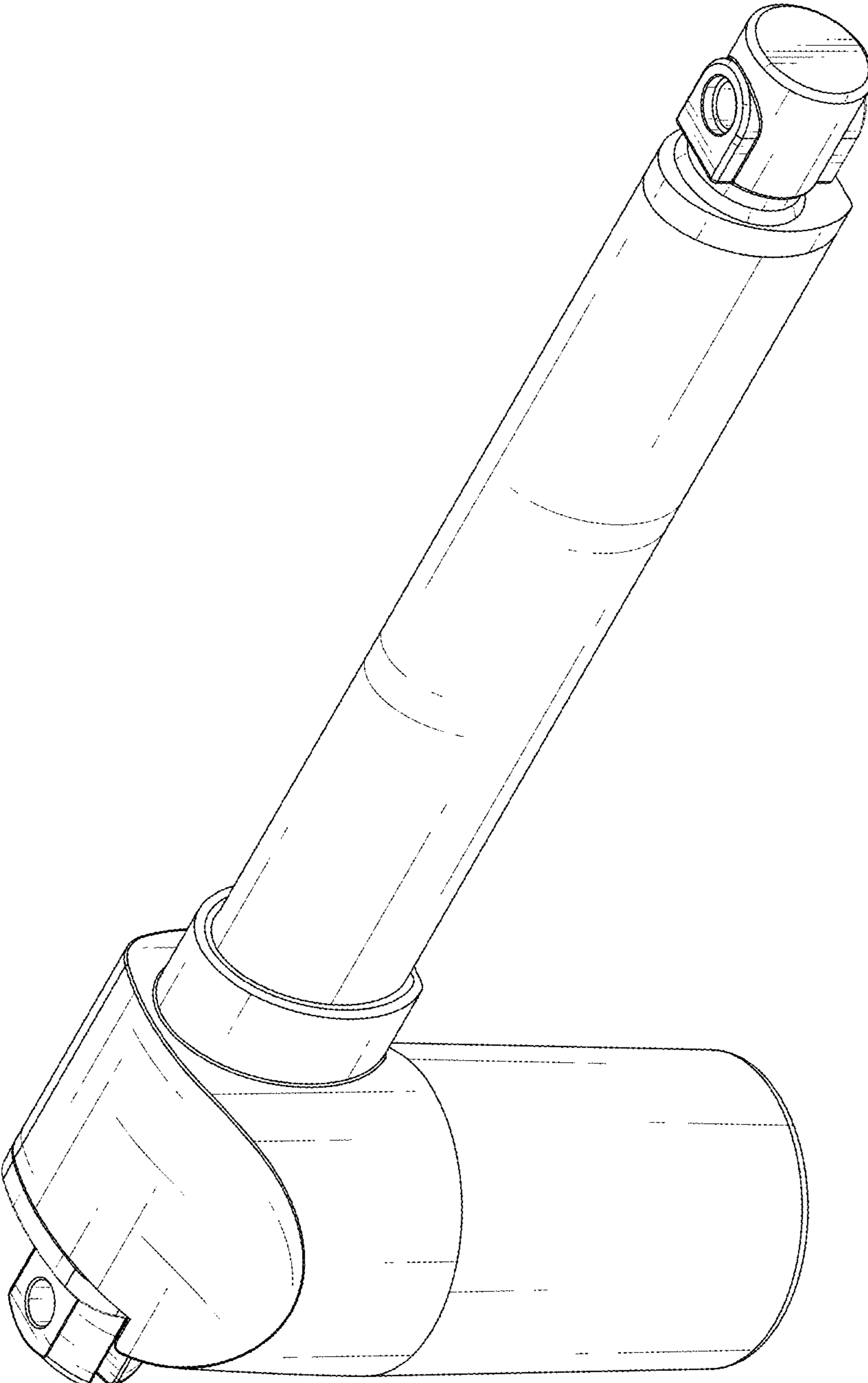


FIG.1

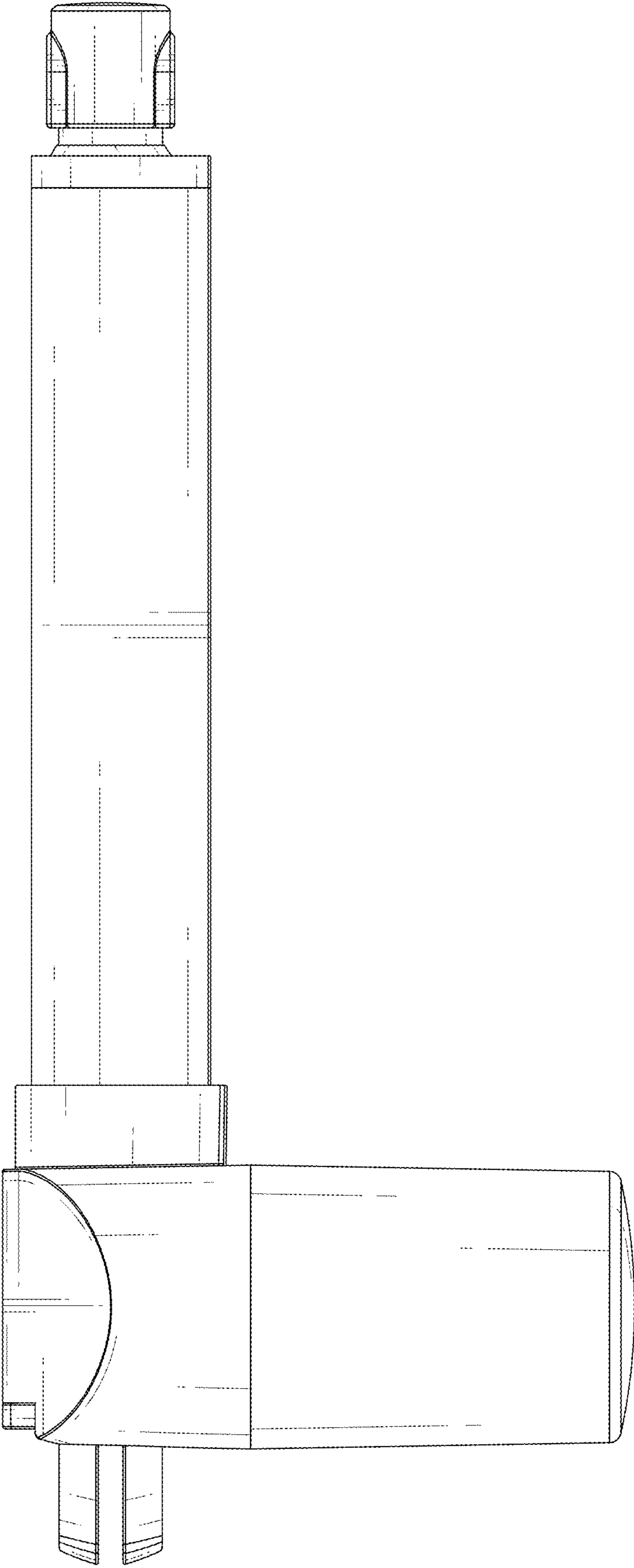


FIG.2

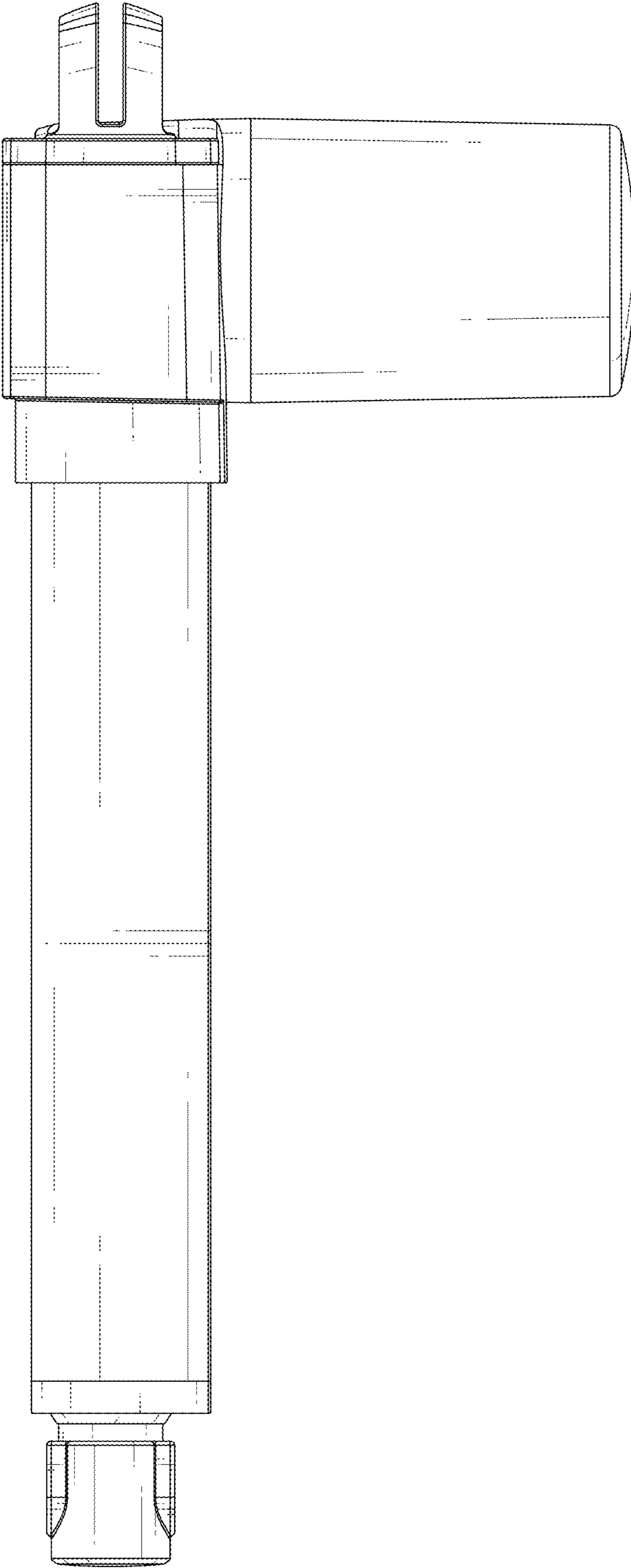


FIG. 3

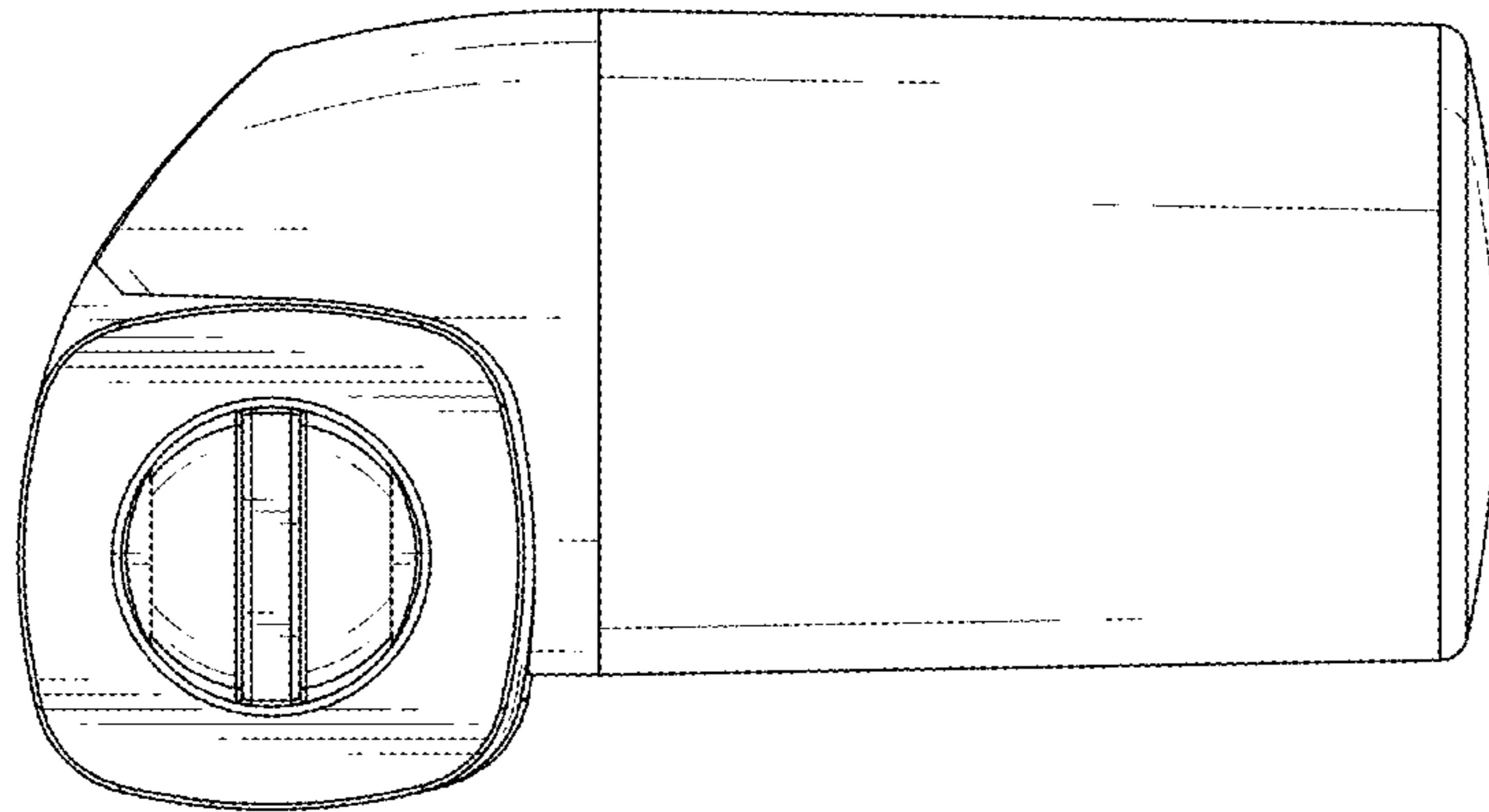


FIG.4

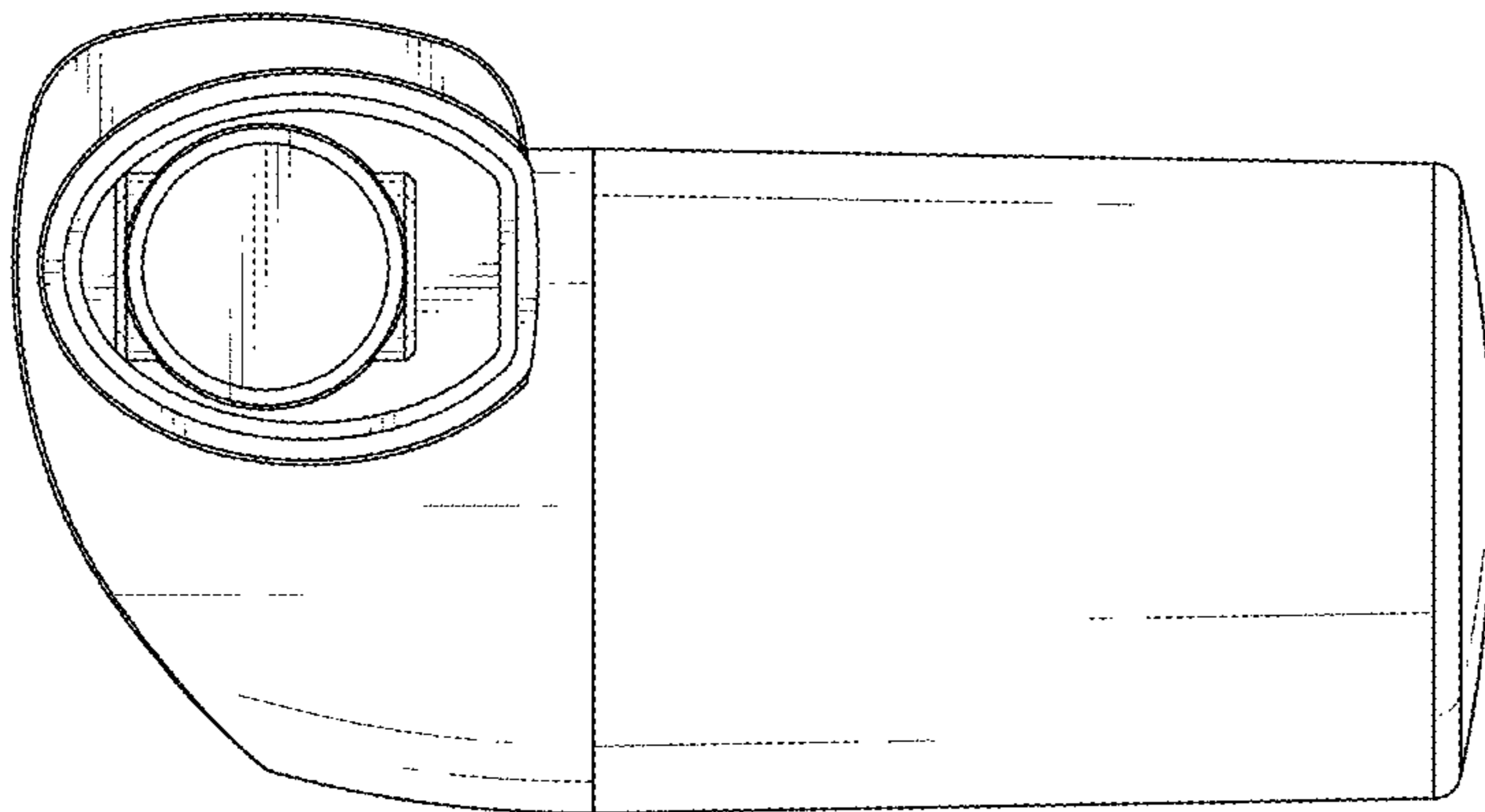


FIG.5

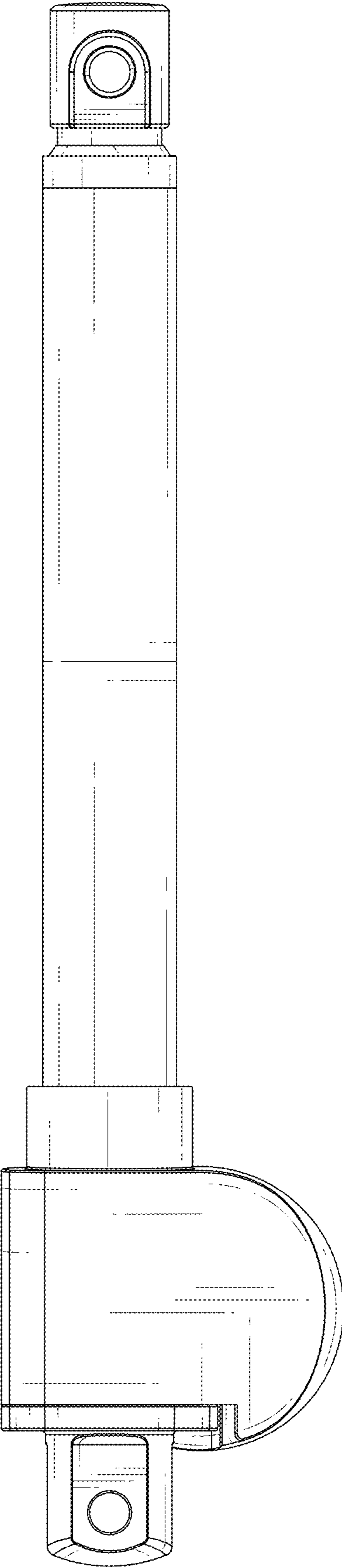


FIG.6

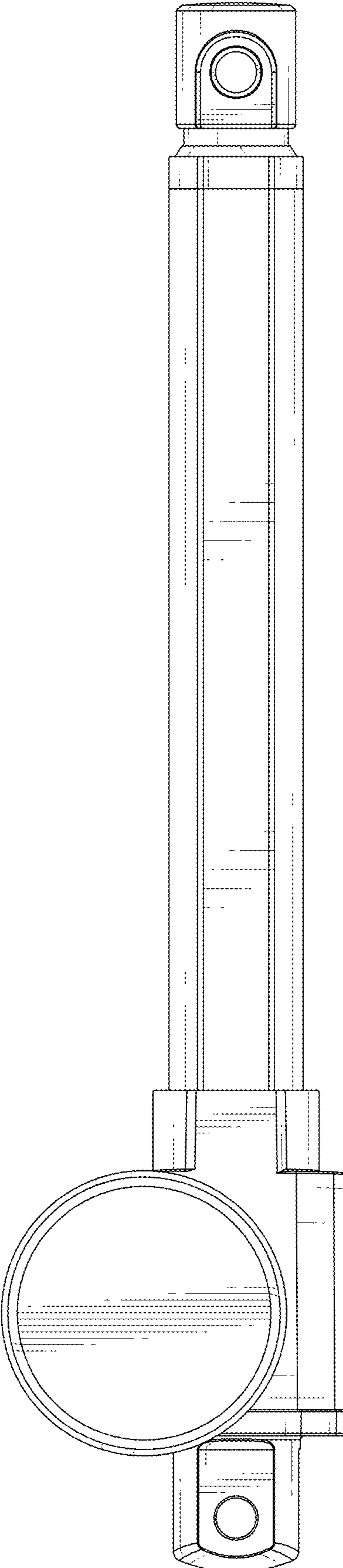


FIG.7

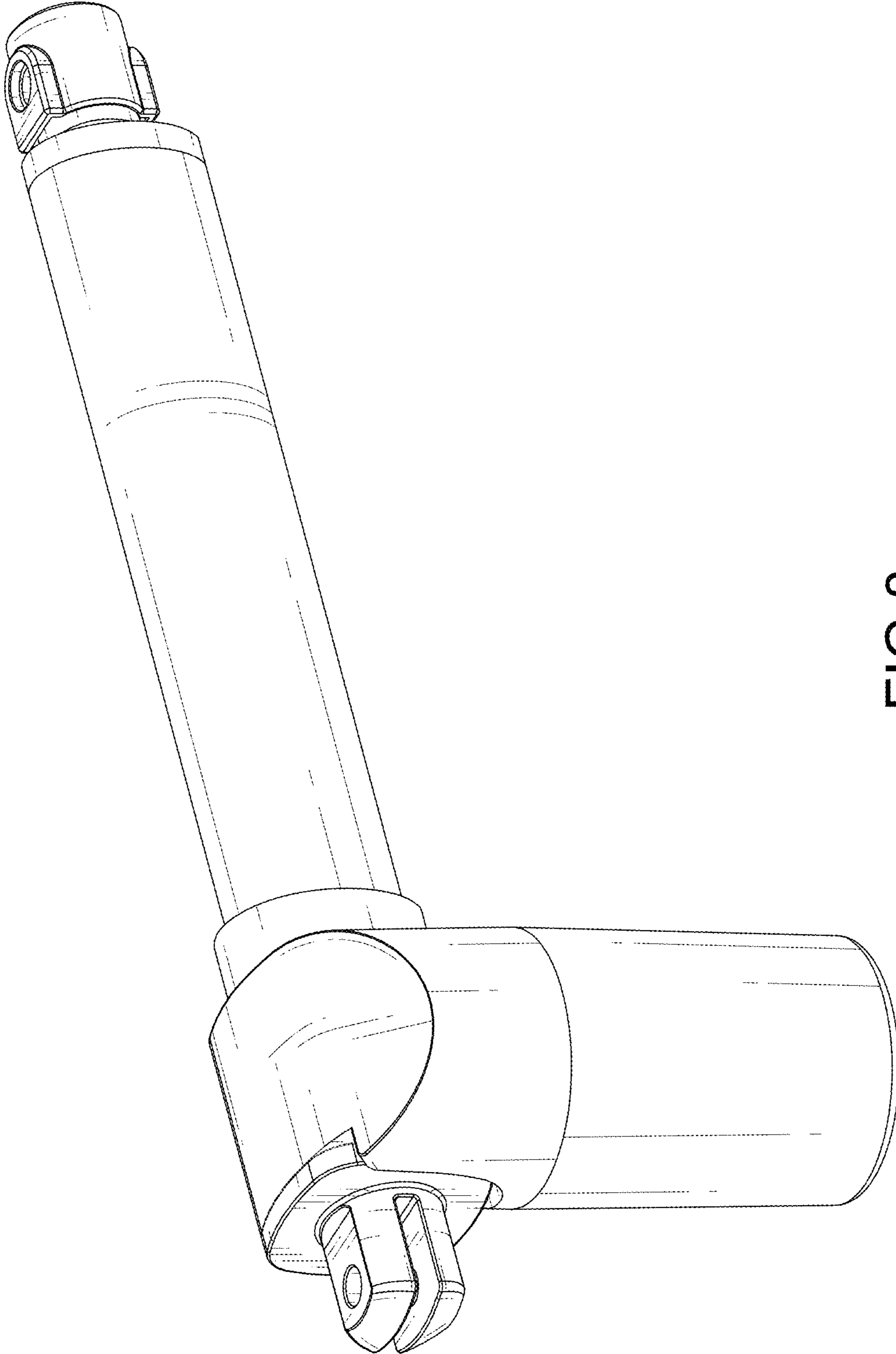


FIG.8

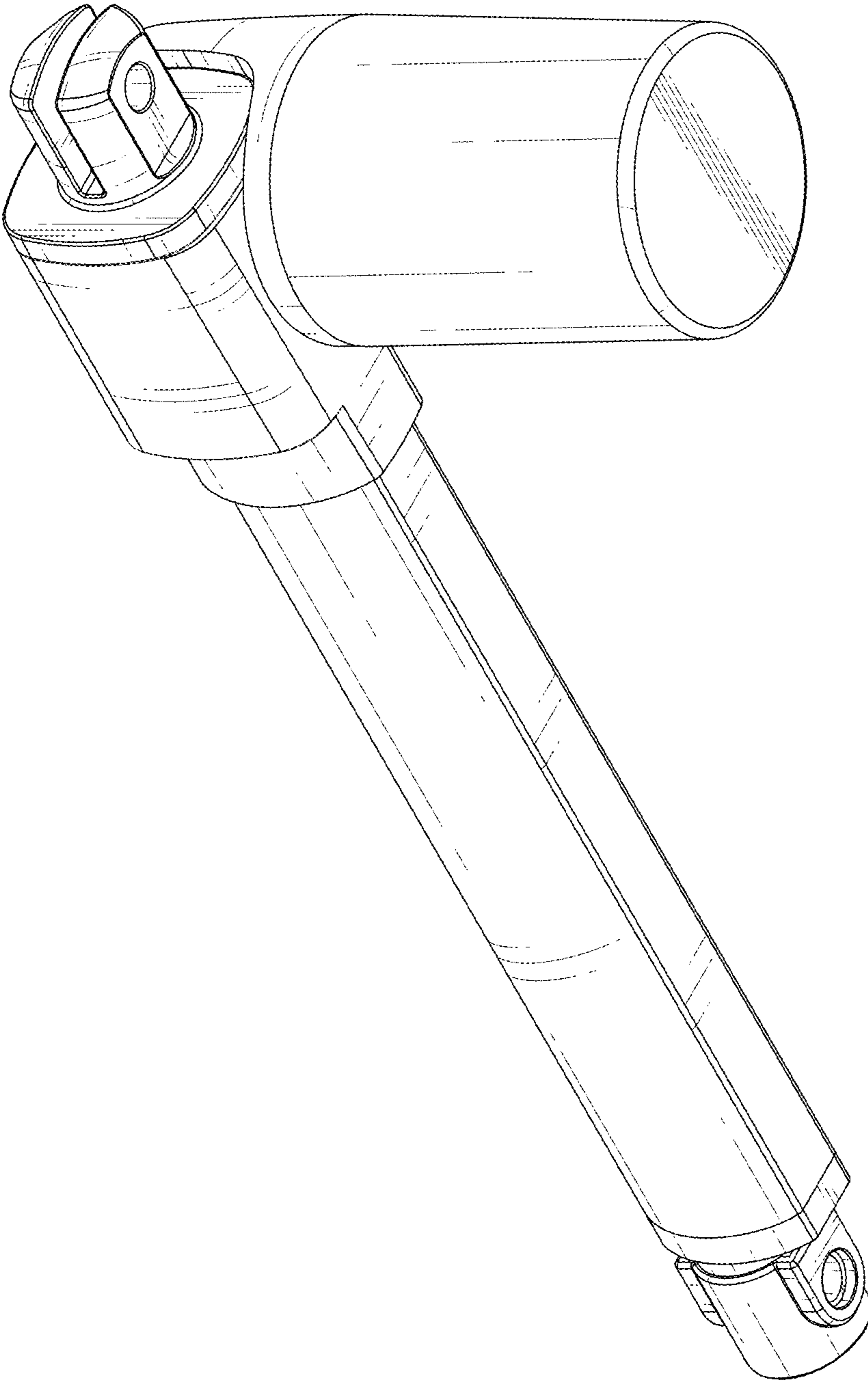


FIG.9