



US00D919681S

(12) **United States Design Patent**  
**Koch et al.**

(10) **Patent No.:** **US D919,681 S**

(45) **Date of Patent:** **\*\* May 18, 2021**

- (54) **SAW BLADE DEVICE**
- (71) Applicant: **BioCut, LLC**, Milwaukee, WI (US)
- (72) Inventors: **Jared Koch**, Milwaukee, WI (US);  
**Logan Eggert**, Milwaukee, WI (US)
- (73) Assignee: **BioCut, LLC**, Milwaukee, WI (US)
- (\*\*) Term: **15 Years**
- (21) Appl. No.: **29/710,533**
- (22) Filed: **Oct. 24, 2019**
- (51) **LOC (13) Cl.** ..... **15-09**
- (52) **U.S. Cl.**  
USPC ..... **D15/139**
- (58) **Field of Classification Search**  
USPC ..... D8/20, 70, 95-101; D15/17, 133, 139;  
D22/117, 118  
CPC ..... B23D 49/006; B23D 49/10; B23D 49/11;  
B23D 49/14; B23D 61/121; B23D  
61/123; B23D 61/126; B23D 61/128;  
B26B 1/02; B26B 1/048; B26B 3/08;  
A61B 17/3213  
See application file for complete search history.

- D798,921 S \* 10/2017 Frota de Souza Filho .. D15/139
- D798,922 S \* 10/2017 Frota de Souza Filho .. D15/139
- D807,935 S \* 1/2018 Dudzinsky ..... B23C 5/2221  
D15/139
- D837,847 S \* 1/2019 Min ..... D15/139
- D852,246 S \* 6/2019 Kobayashi ..... D15/139
- D854,592 S \* 7/2019 Matsuda ..... D15/139
- D861,754 S \* 10/2019 Fukuyama ..... D15/139
- D862,542 S \* 10/2019 Maeda ..... D15/139
- D862,543 S \* 10/2019 Maeda ..... D15/139
- D872,784 S \* 1/2020 Inagaki ..... D15/139
- D878,439 S \* 3/2020 Chen ..... D15/139
- D880,547 S \* 4/2020 Weinberg ..... D15/139
- D884,039 S \* 5/2020 Endoh ..... D15/139
- D892,876 S \* 8/2020 Matsubara ..... D15/139
- D907,670 S \* 1/2021 Nagafuchi ..... D15/139
- D908,752 S \* 1/2021 Nagafuchi ..... D15/139

(Continued)

**OTHER PUBLICATIONS**

LinkedIn, John Reimer Post, accessed Oct. 28, 2019, <https://www.linkedin.com/in/biocutsystems/detail/recent-activity/shares/>.

(Continued)

*Primary Examiner* — Darlington Ly

(57) **CLAIM**

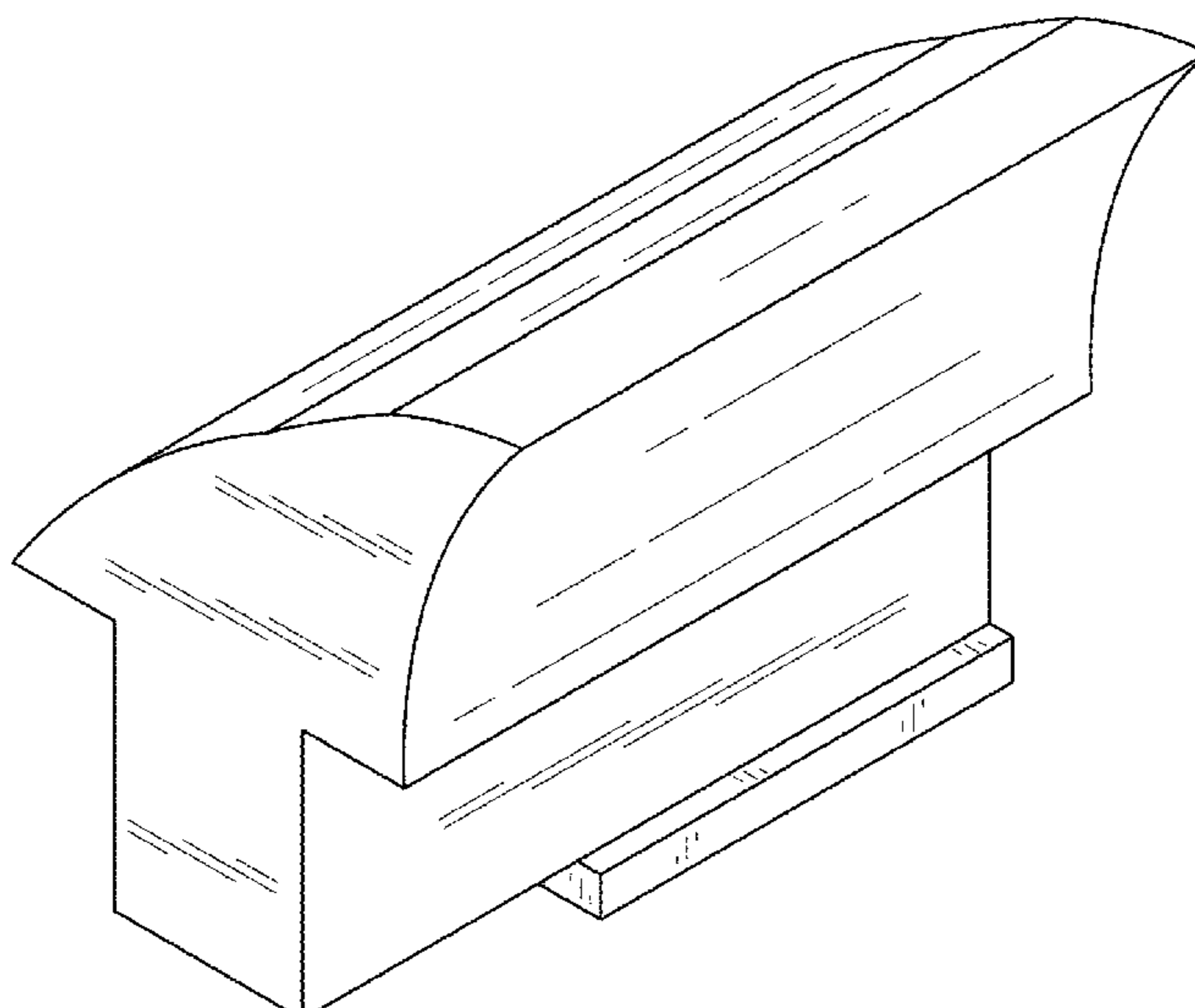
The ornamental design for a saw blade device, as shown and described.

**DESCRIPTION**

FIG. 1 is a perspective view showing the saw blade device embodying the new design;  
FIG. 2 is a left side elevation view thereof;  
FIG. 3 is a right side elevation view thereof;  
FIG. 4 is a front elevation view thereof;  
FIG. 5 is a rear elevation view thereof;  
FIG. 6 is a top plan view thereof; and,  
FIG. 7 is a bottom plan view thereof.

**1 Claim, 4 Drawing Sheets**

- (56) **References Cited**  
U.S. PATENT DOCUMENTS
- D381,027 S \* 7/1997 Mihic ..... D15/139
- D475,725 S \* 6/2003 Sikstrom ..... D15/139
- D537,854 S \* 3/2007 Tong ..... D15/139
- D544,004 S \* 6/2007 Janness ..... D15/139
- D595,751 S \* 7/2009 Sakata ..... D15/139
- D616,003 S \* 5/2010 Ueda ..... D15/139
- D647,117 S \* 10/2011 Omi ..... D15/139
- 8,662,208 B2 \* 3/2014 Stroud ..... E21B 10/46  
175/428
- 8,727,675 B2 \* 5/2014 Nam ..... B23C 5/06  
407/113
- 8,876,440 B2 \* 11/2014 Nam ..... B23C 5/06  
407/113
- 9,545,672 B2 \* 1/2017 Lee ..... B23B 27/1611



(56)

**References Cited**

U.S. PATENT DOCUMENTS

D909,438 S \* 2/2021 Fujii ..... D15/139  
D910,093 S \* 2/2021 Abe ..... D15/139  
10,926,337 B2 \* 2/2021 Fukuyama ..... B23B 27/045  
D912,708 S \* 3/2021 Weinberg ..... D15/139  
2007/0257544 A1 \* 11/2007 Baker ..... B23B 27/10  
299/81.2  
2015/0202697 A1 \* 7/2015 Shiota ..... B23C 5/109  
407/42  
2015/0246397 A1 \* 9/2015 Voege ..... B23B 27/045  
407/66  
2015/0246398 A1 \* 9/2015 Kawasaki ..... B23B 27/141  
408/231

OTHER PUBLICATIONS

BioCut, LLC, Band Saw SterilCut S28 User Manual, (Published Aug. 26, 2019).

\* cited by examiner

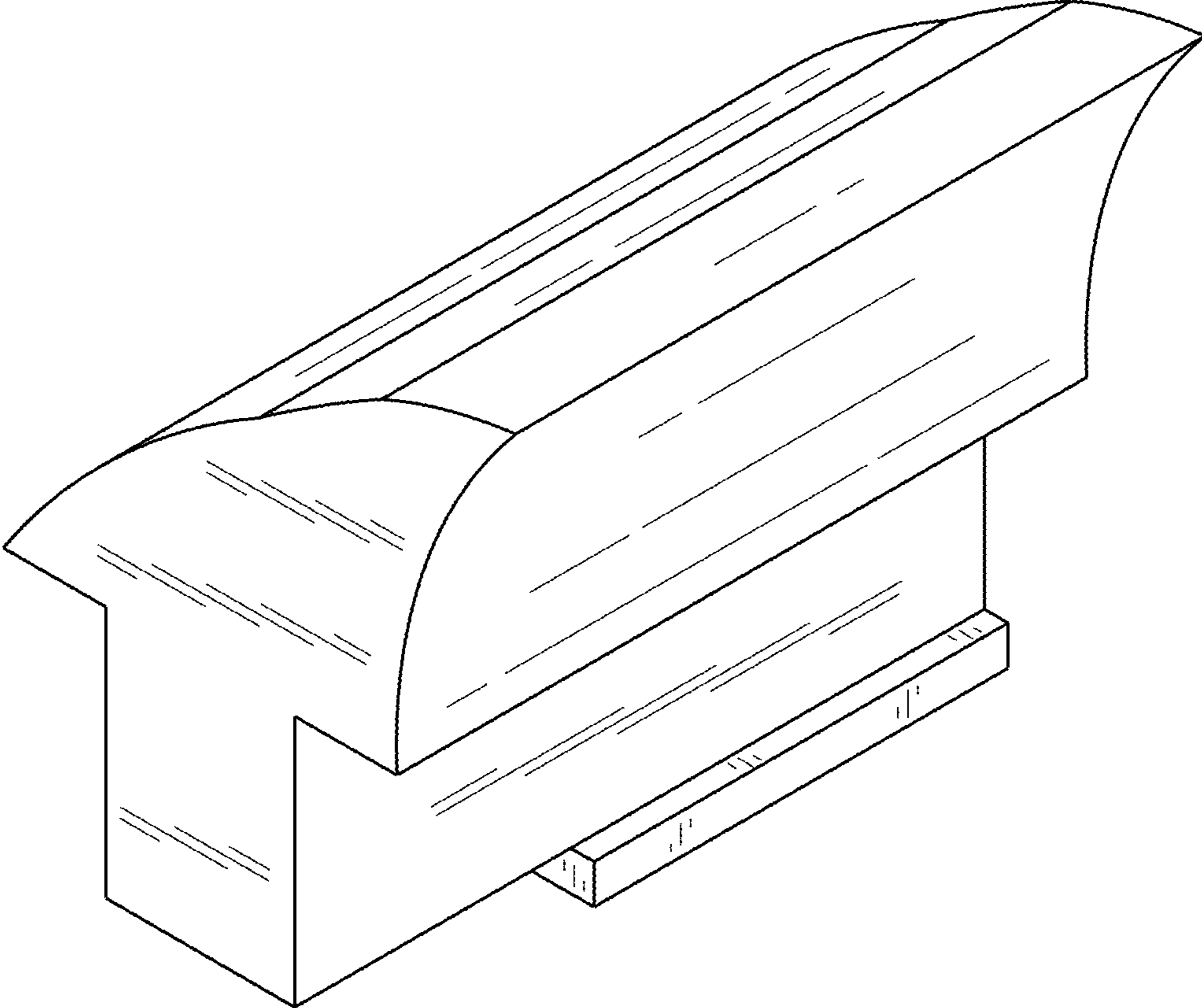


FIG. 1

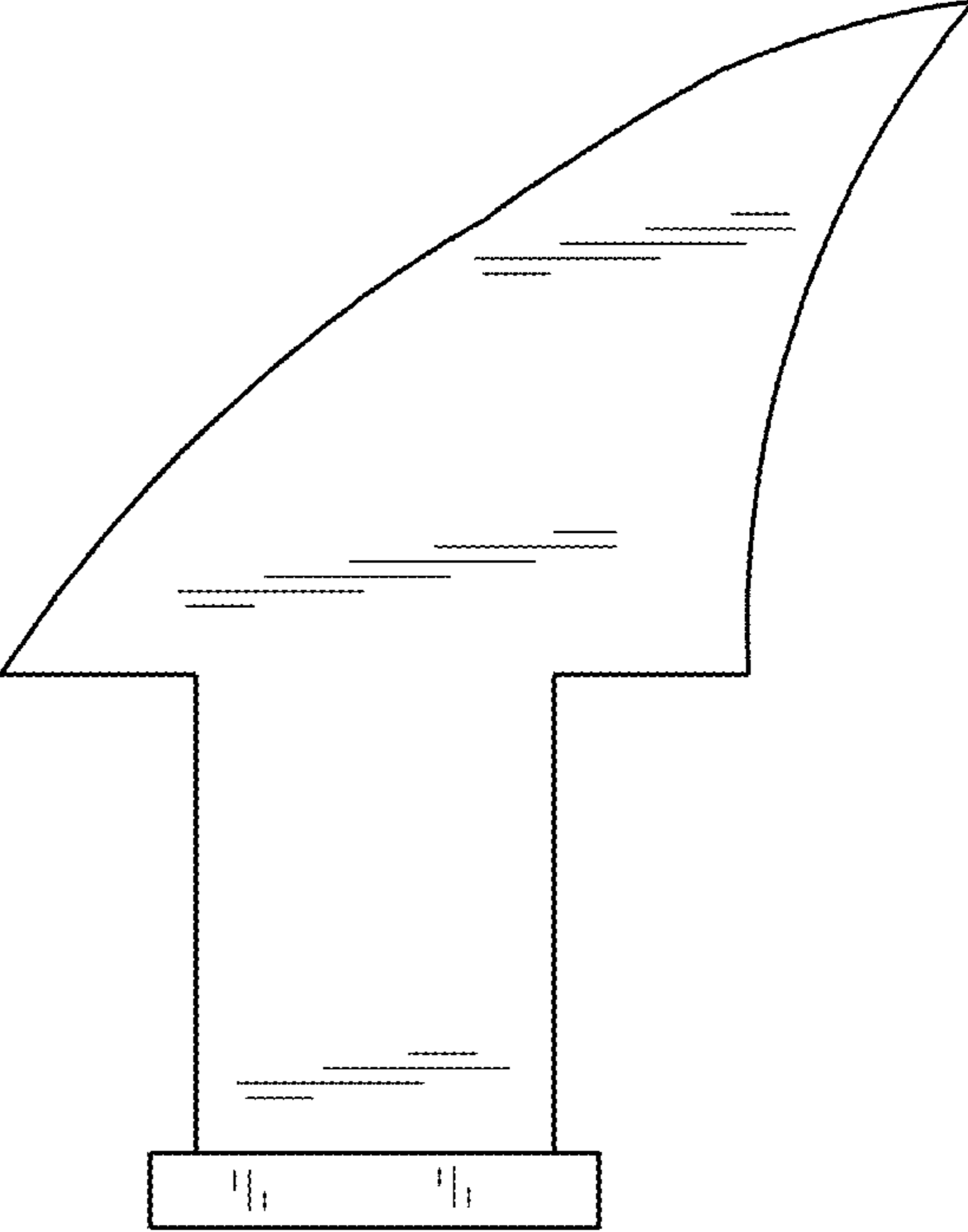


FIG. 2

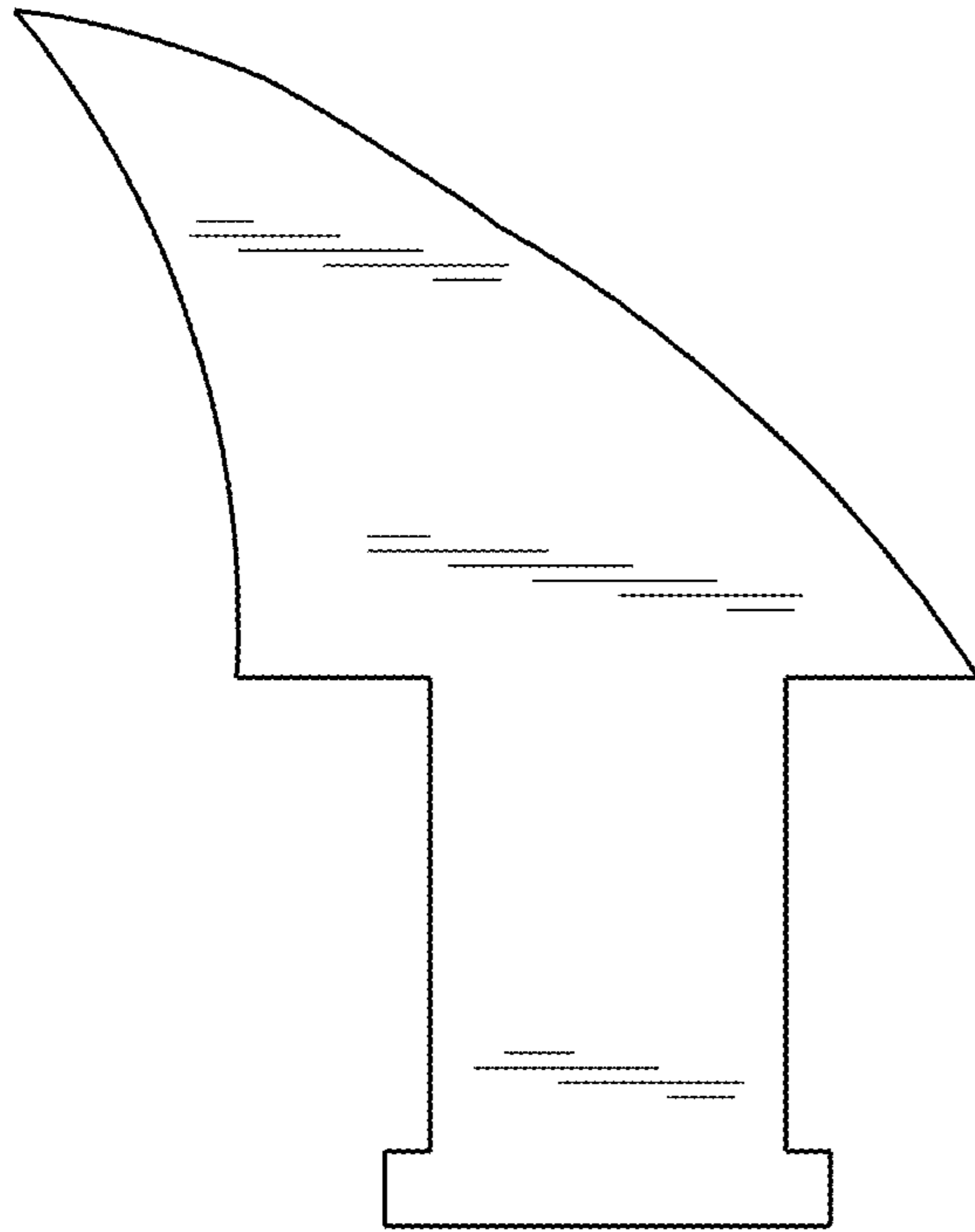


FIG. 3

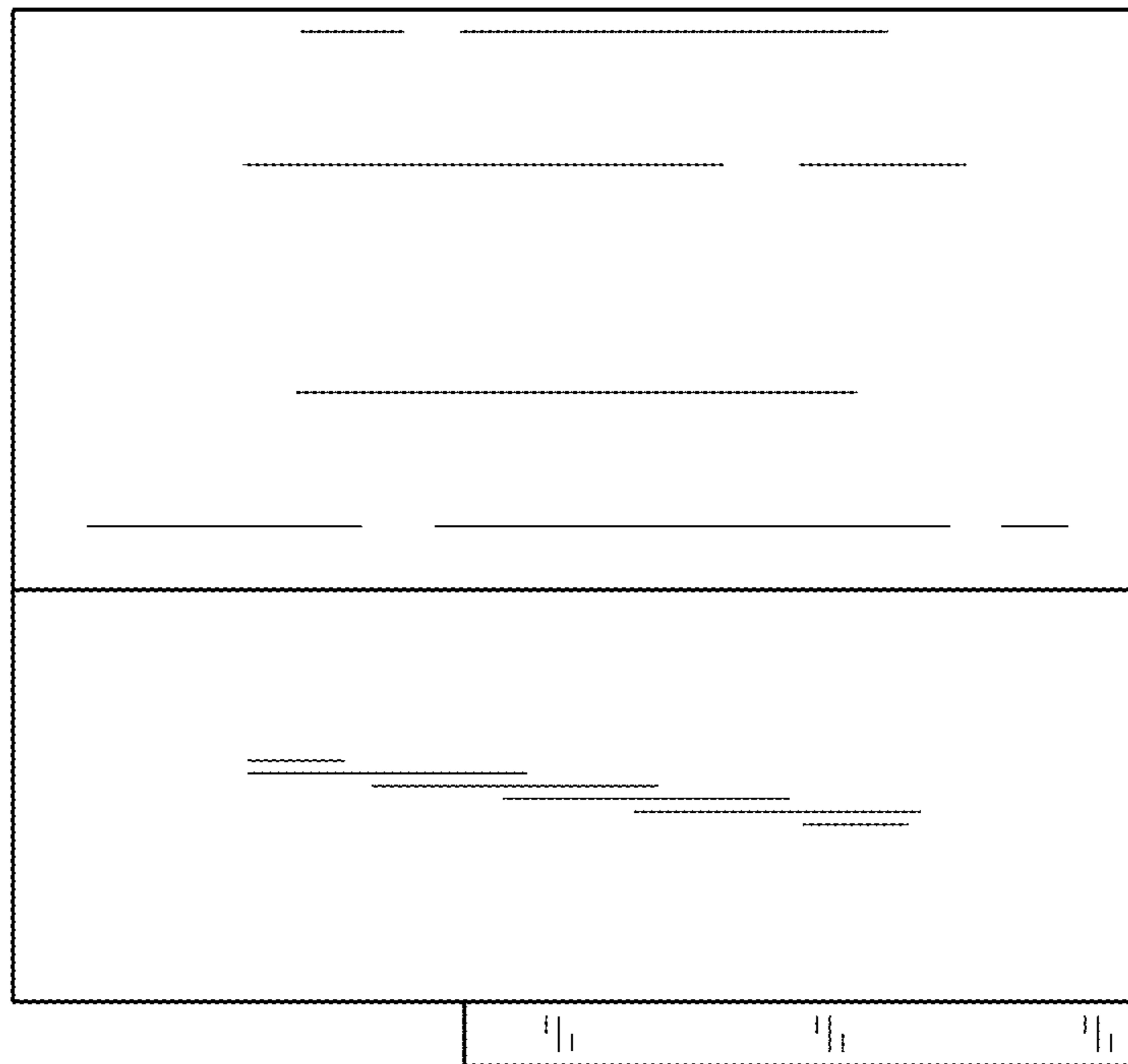


FIG. 4

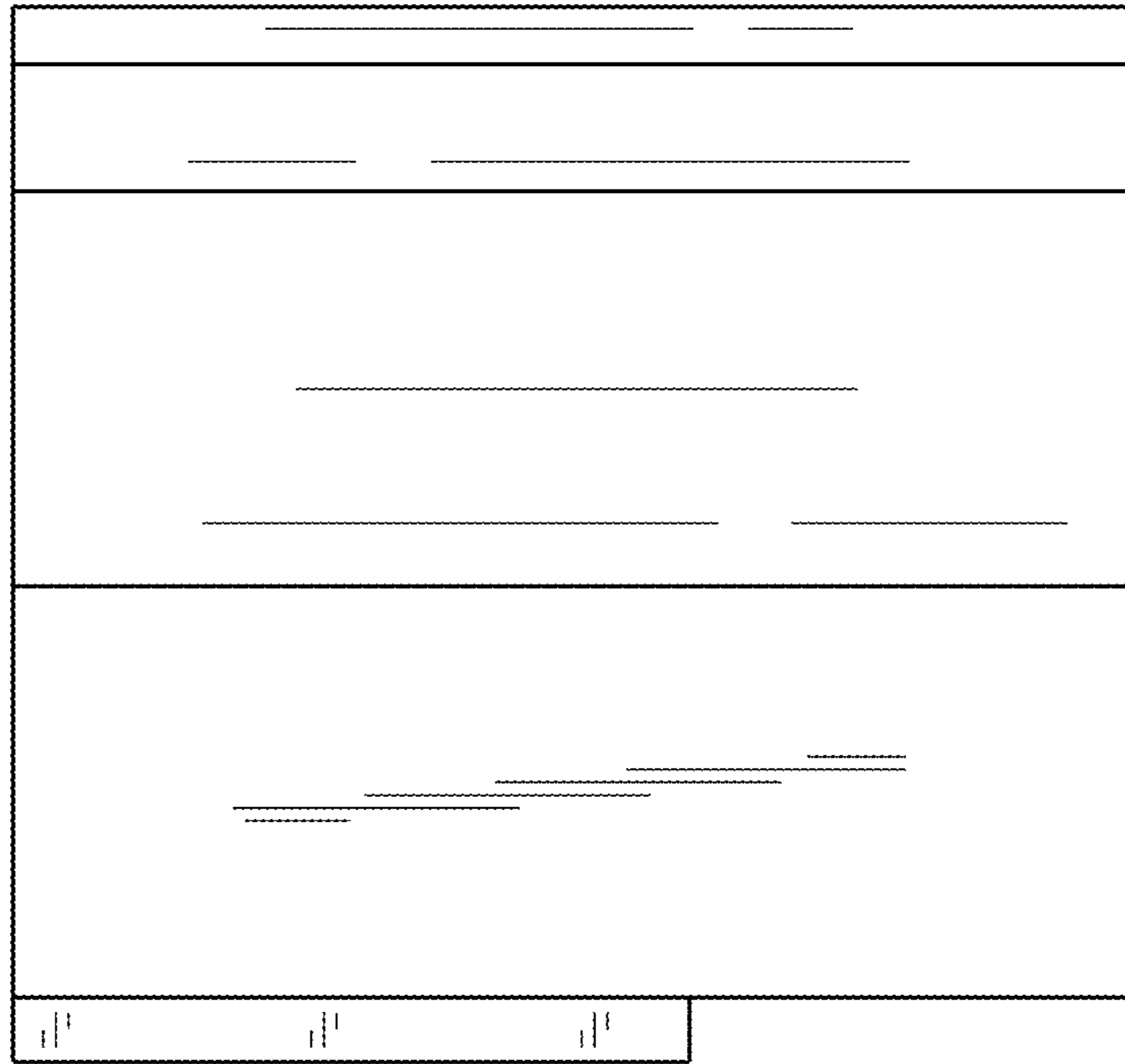


FIG. 5

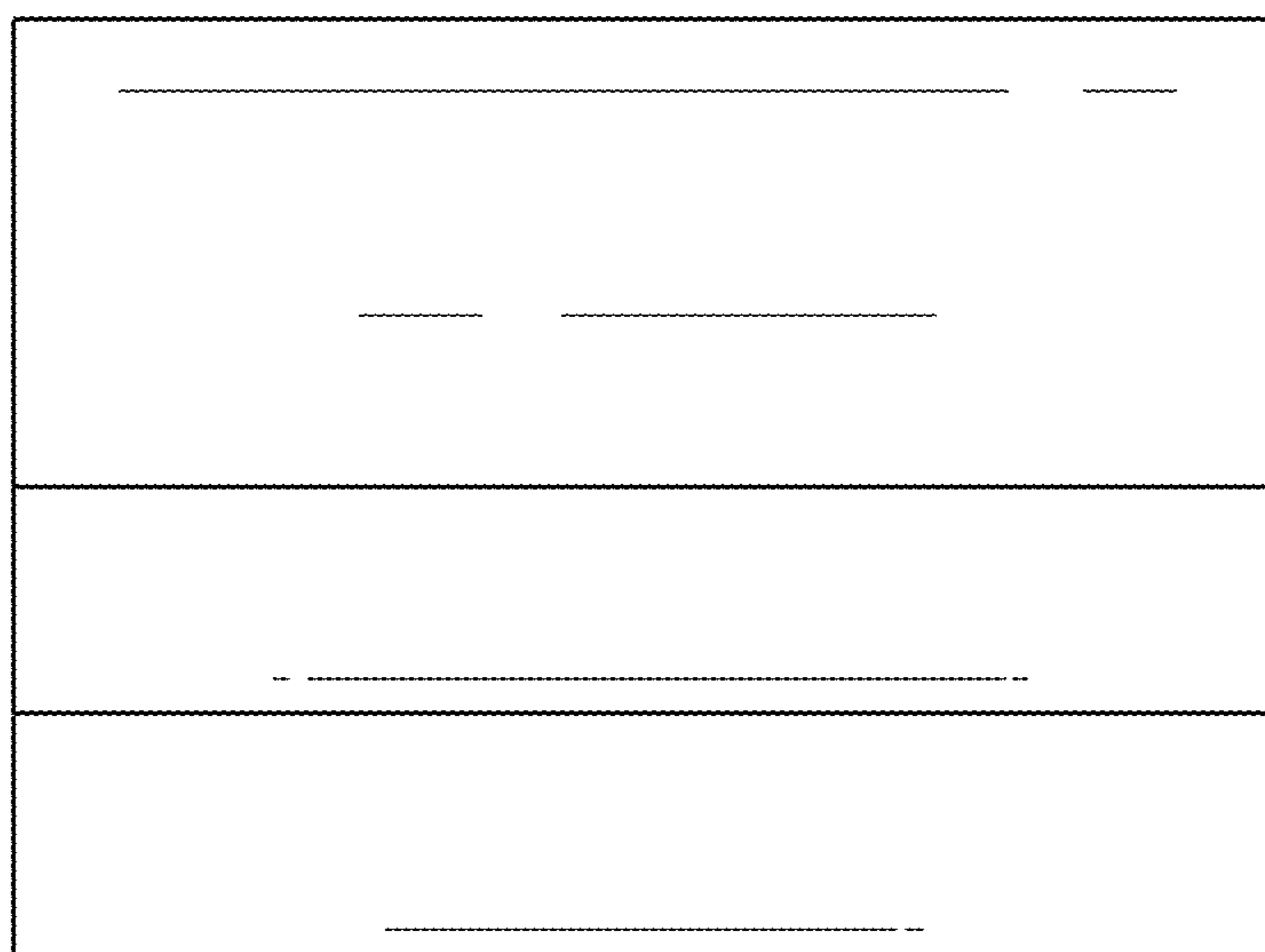


FIG. 6

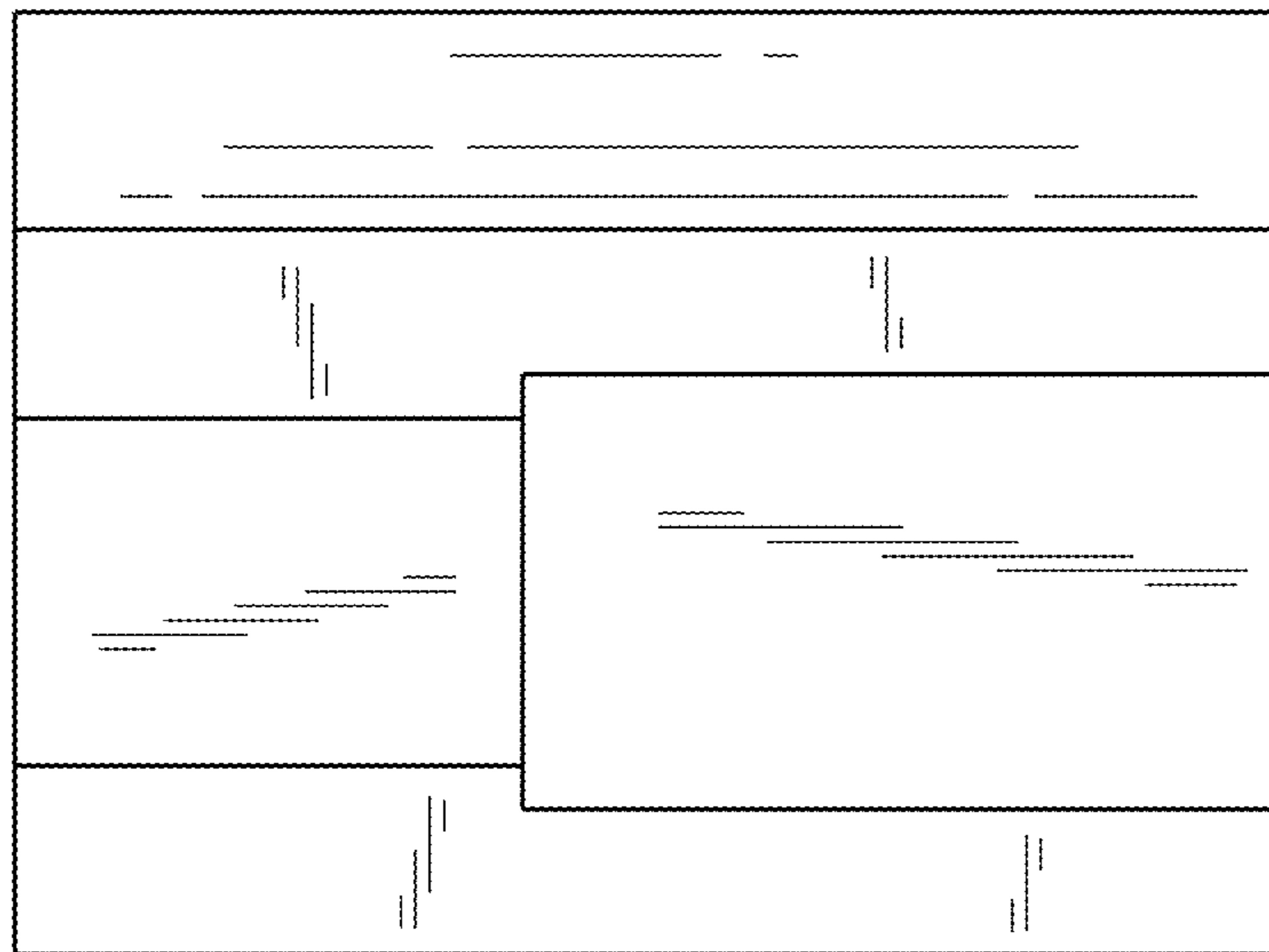


FIG. 7