



US00D919680S

(12) **United States Design Patent** (10) **Patent No.:** **US D919,680 S**
Serink et al. (45) **Date of Patent:** **** May 18, 2021**

(54) **MILL**
(71) Applicant: **Tormach, Inc.**, Waunakee, WI (US)
(72) Inventors: **Nolan Brian Serink**, Waunakee, WI (US); **Matthew Chase Berggruen**, Madison, WI (US)
(73) Assignee: **Tormach, Inc.**, Waunakee, WI (US)
(**) Term: **15 Years**
(21) Appl. No.: **29/672,420**
(22) Filed: **Dec. 5, 2018**
(51) **LOC (13) Cl.** **15-03**
(52) **U.S. Cl.**
USPC **D15/131**
(58) **Field of Classification Search**
USPC D15/122–131
CPC B23K 26/032; B23K 11/0026; B23K 11/062; B23K 11/066; B23K 11/0873; B23K 11/0876; B23K 11/115; B23K 11/24; B23K 11/248; B23K 11/252; B23K 11/257; B23K 11/3018; B23K 11/3054; B23K 11/36; B23K 15/0013; B23K 15/02; B23K 15/08; B23K 15/085; B23K 1/0014; B23K 1/0018; B23K 1/0056; B23K 20/12; B23K 20/1215; B23K 2201/001; B23K 2201/04; B23K 2201/125; B23K 2203/04; B23K 2203/10; B23K 2203/16; B23K 2203/26; B23K 2203/42; B23K 2203/52; B23K 26/03; B23K 26/034; B23K 26/044; B23K 26/0619; B23K 26/123; B23K 26/1429; B23K 26/20; B23K 26/28; B23K 26/262; B23K 26/38; B23K 26/382; B23K 31/02; B23K 31/12; B23K 35/0222; B23K 35/0244; B23K 35/025; B23K 35/0261; B23K 35/286; B23K 35/3006; B23K 35/3013; B23K 35/302; B23K 35/3033; B23K 35/3046; B23K 35/327; B23K 35/36; B23K 35/3603; B23K 35/3605;

B23K 35/3613; B23K 35/365; B23K 37/04; B23K 9/02; B23K 9/073; B23K 9/091; B23K

(Continued)

(56) **References Cited**

U.S. PATENT DOCUMENTS

D284,477 S * 7/1986 Chen D15/131
D285,084 S * 8/1986 Aldridge, Jr. D15/131
D289,407 S * 4/1987 Shibayama D15/122

(Continued)

Primary Examiner — Khawaja Anwar

(74) *Attorney, Agent, or Firm* — Andrus Intellectual Property Law, LLP

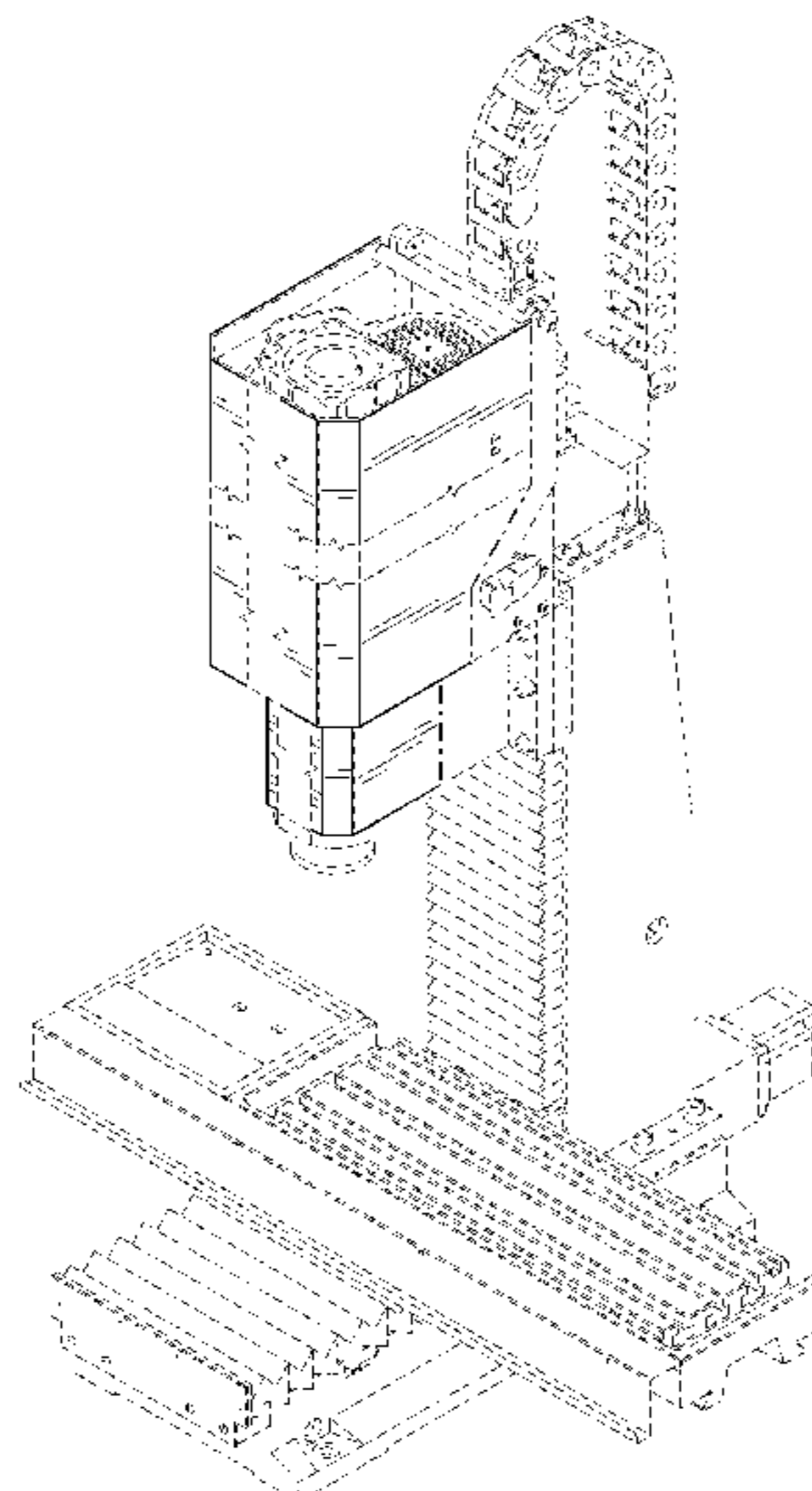
(57) **CLAIM**

The ornamental design for a mill, as shown and described.

DESCRIPTION

FIG. 1 is a front top perspective view of a mill according to our new and ornamental design;
FIG. 2 is a rear top perspective view thereof;
FIG. 3 is a front elevation view thereof,
FIG. 4 is a rear elevation view thereof;
FIG. 5 is a left side elevation view thereof;
FIG. 6 is a right side elevation view thereof;
FIG. 7 is a top plan view thereof;
FIG. 8 is a bottom plan view thereof; and,
FIG. 9 is a bottom perspective view thereof.
The evenly-spaced broken lines in the Figures illustrate portions of the mill that form no part of the claimed design. The dash-dot broken lines in the Figures between the solid line portions and the evenly-spaced broken line portions illustrate the boundaries of the claimed design and form no part of the claimed design. The break lines that separate the mill in the Figures represent that the mill has indeterminate width and length. The break lines and any portion between the break lines form no part of the claimed design.

1 Claim, 9 Drawing Sheets



(58) **Field of Classification Search**

CPC 9/092; B23K 9/095; B23K 9/0956; B23K
9/1006

See application file for complete search history.

(56) **References Cited**

U.S. PATENT DOCUMENTS

4,741,232 A * 5/1988 Myers B23Q 1/015
29/27 C
5,345,806 A * 9/1994 Sartorio B23Q 7/048
72/422
D375,316 S * 11/1996 Tsai D15/131
D389,845 S * 1/1998 Nakamura D15/131
D547,336 S * 7/2007 Kai D15/122
D606,568 S * 12/2009 Jackson D15/131
D681,702 S * 5/2013 Mueller D15/128
D791,203 S * 7/2017 Zhang D15/122
2007/0175264 A1 * 8/2007 Bytow B26D 7/20
72/465.1
2011/0132164 A1 * 6/2011 Barandiaran Echeguia
B21D 28/20
83/145

* cited by examiner

FIG. 1

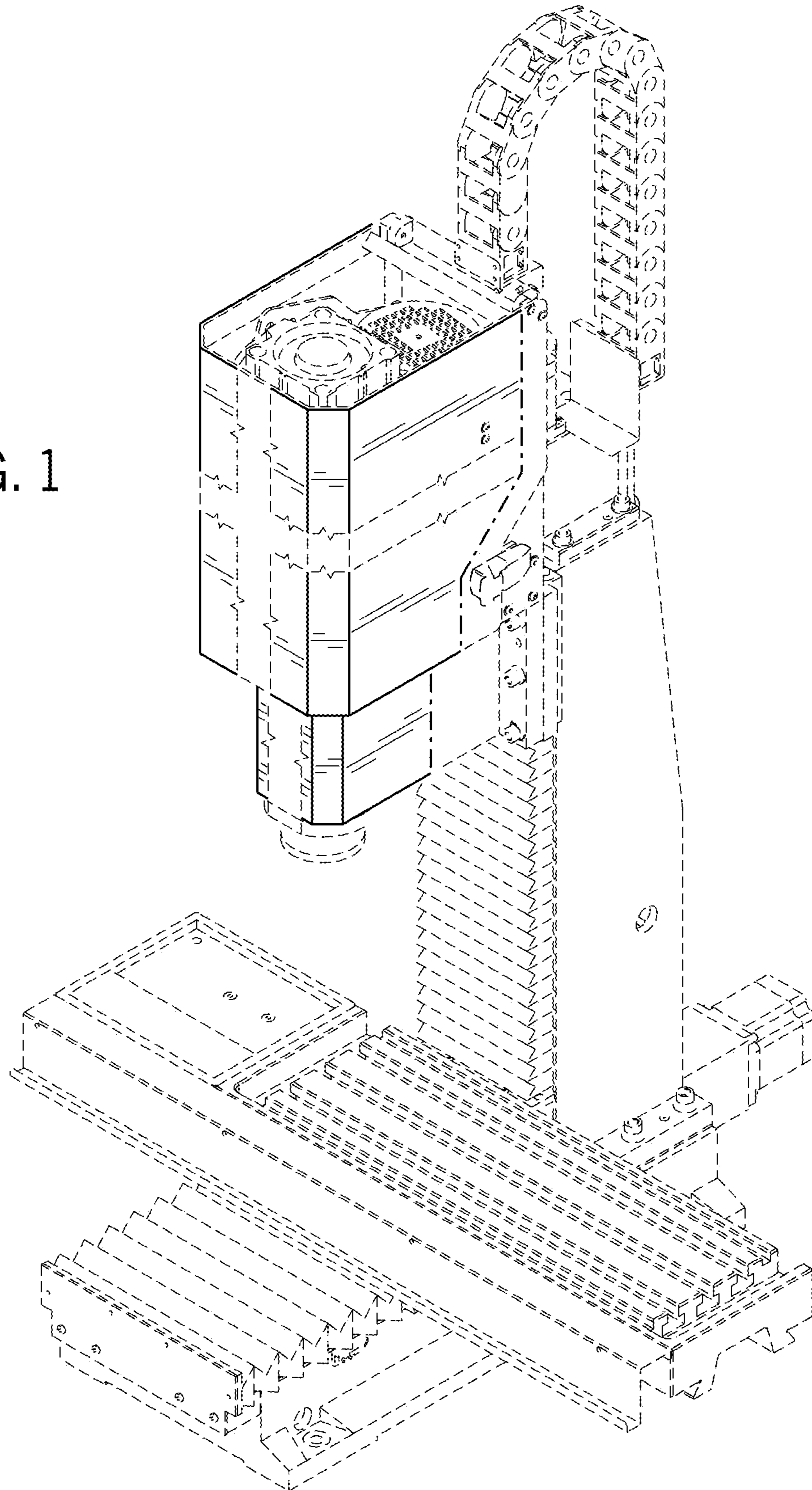


FIG. 2

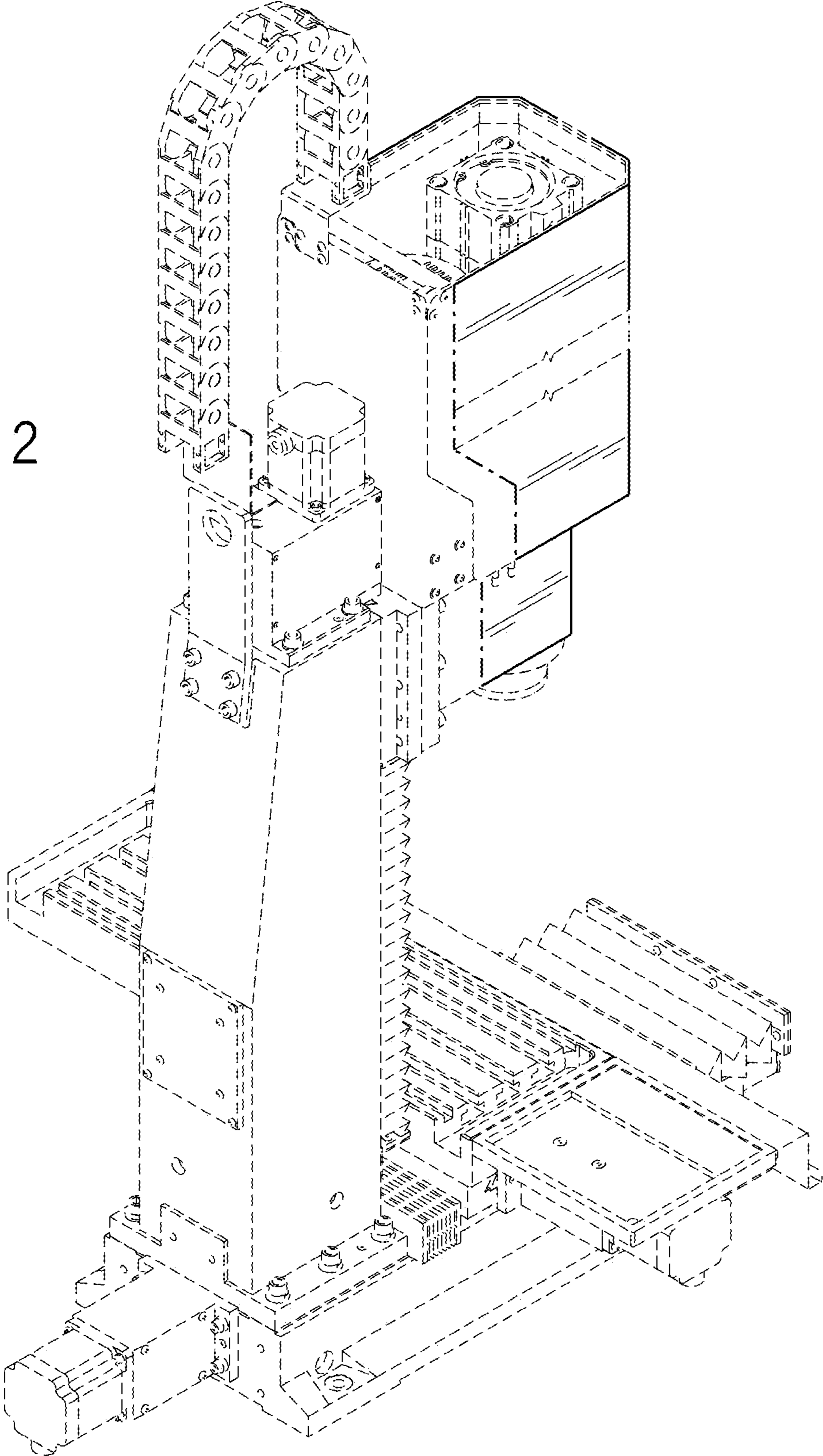


FIG. 3

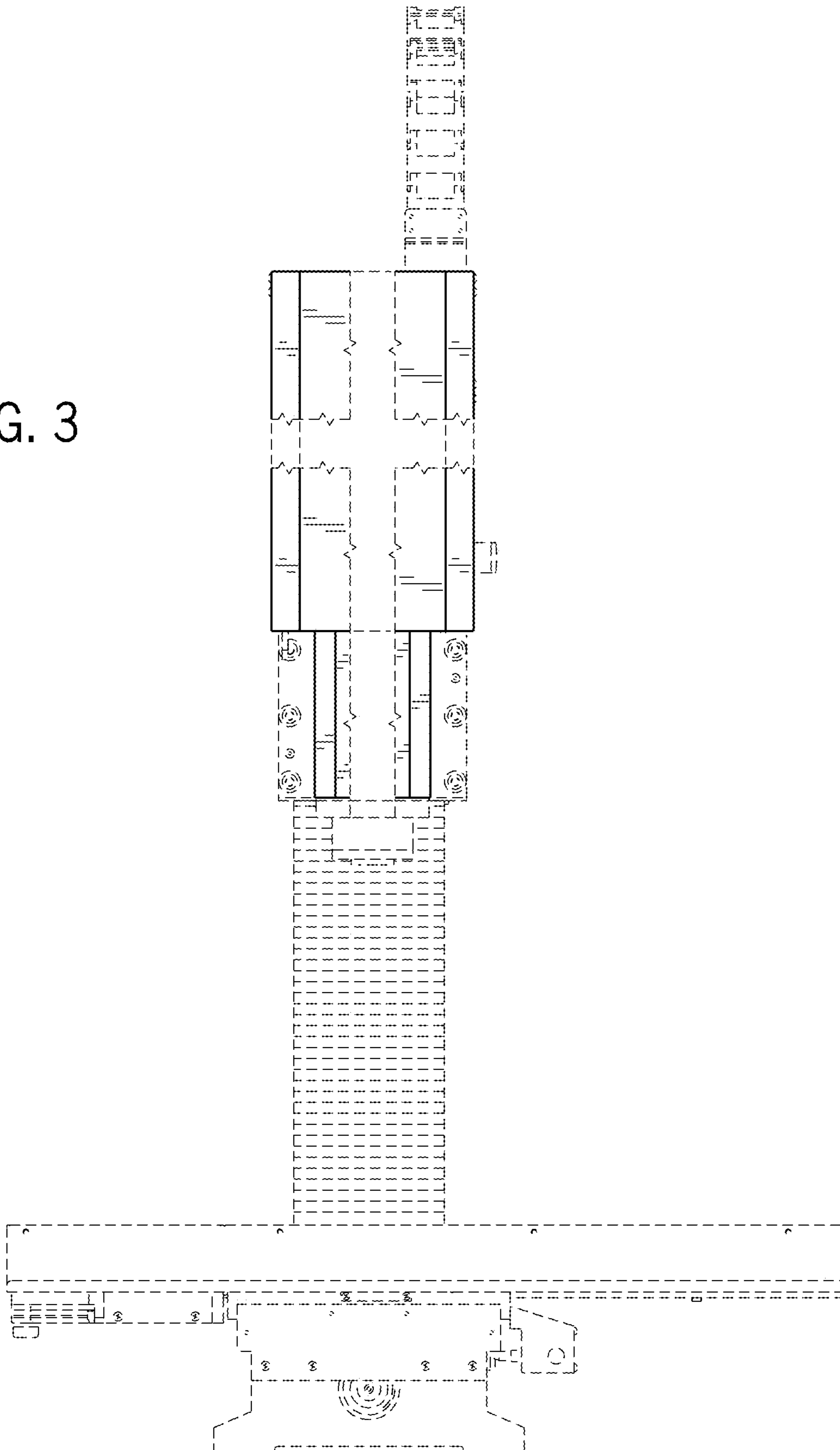


FIG. 4

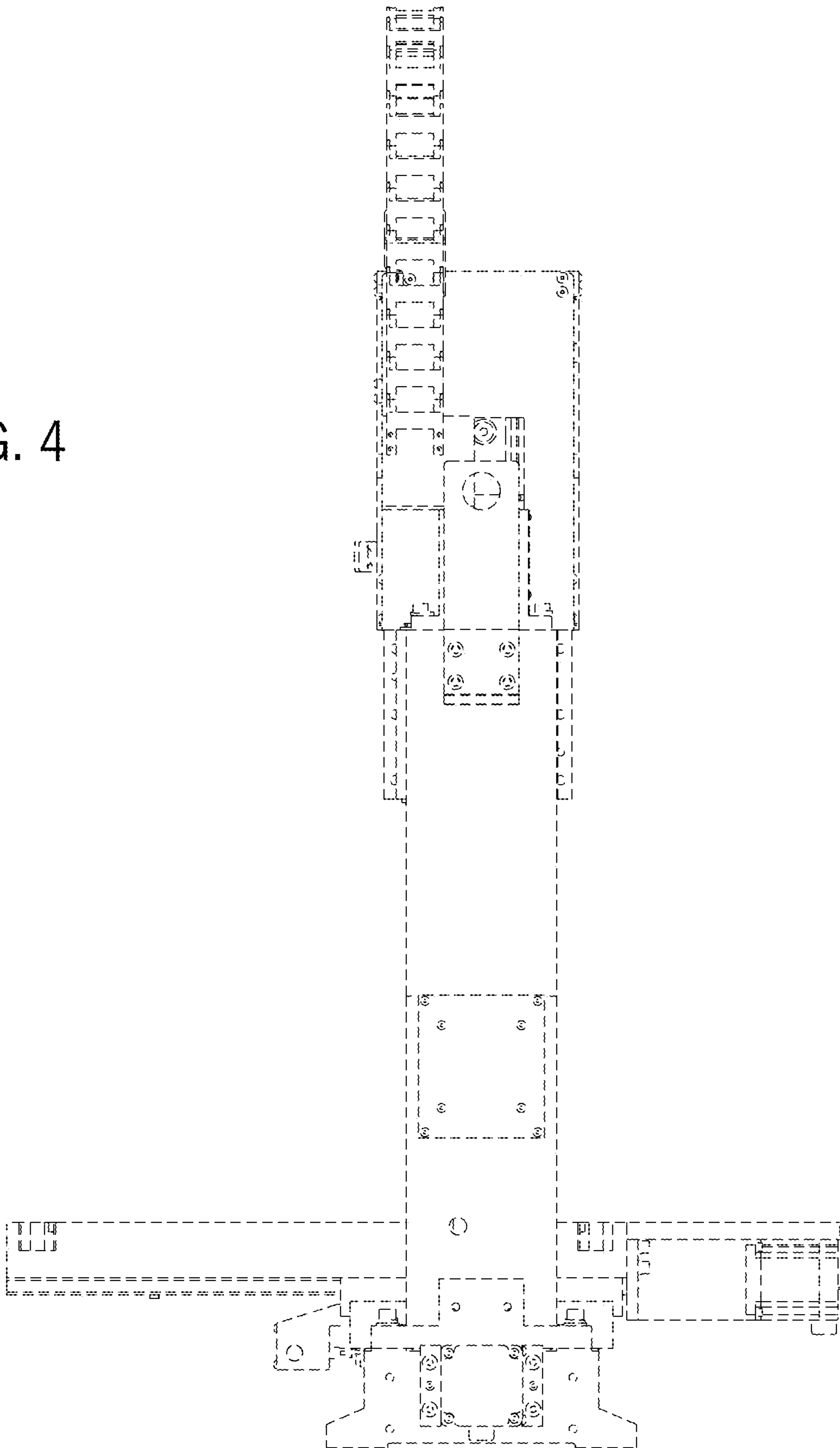


FIG. 5

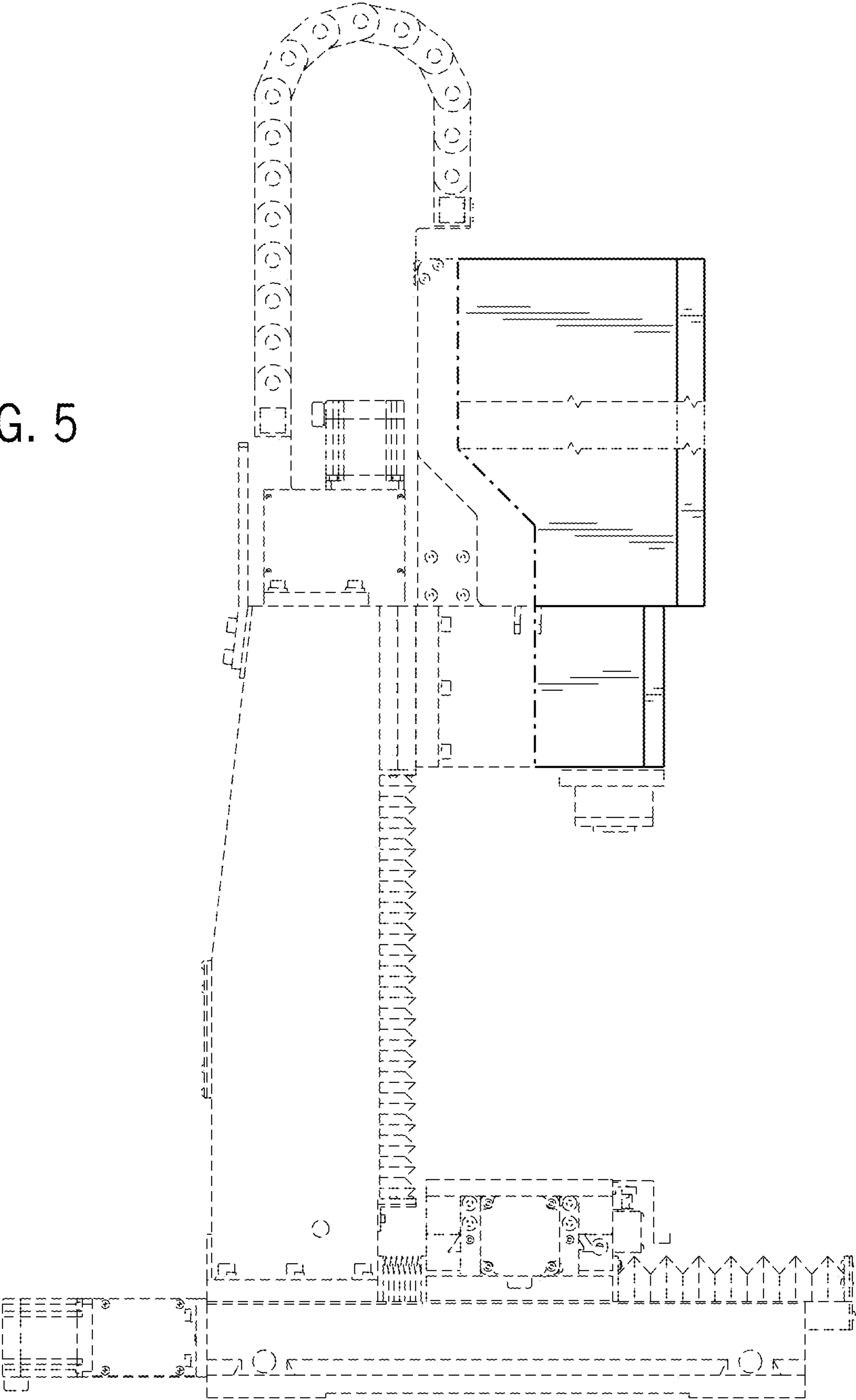
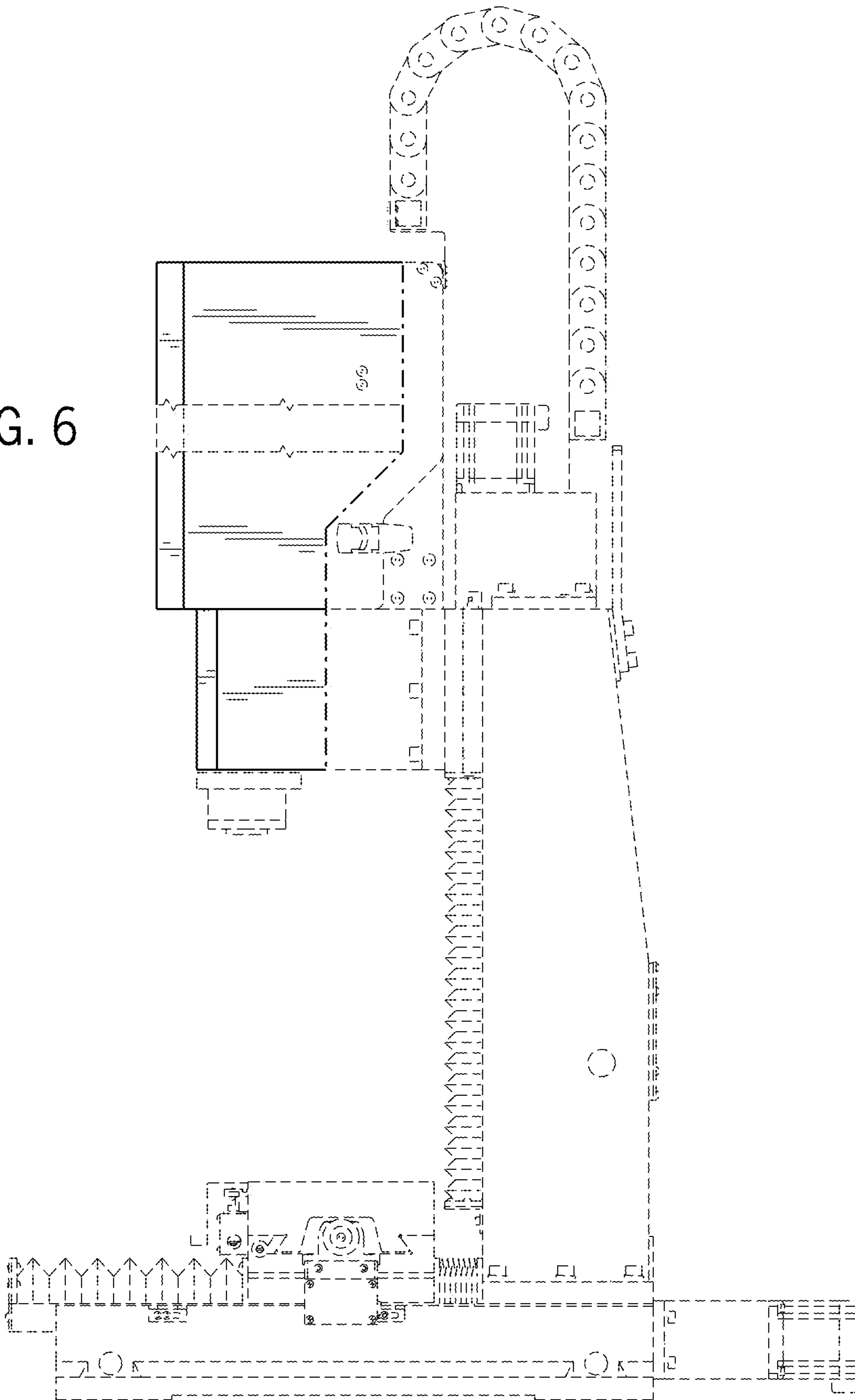


FIG. 6



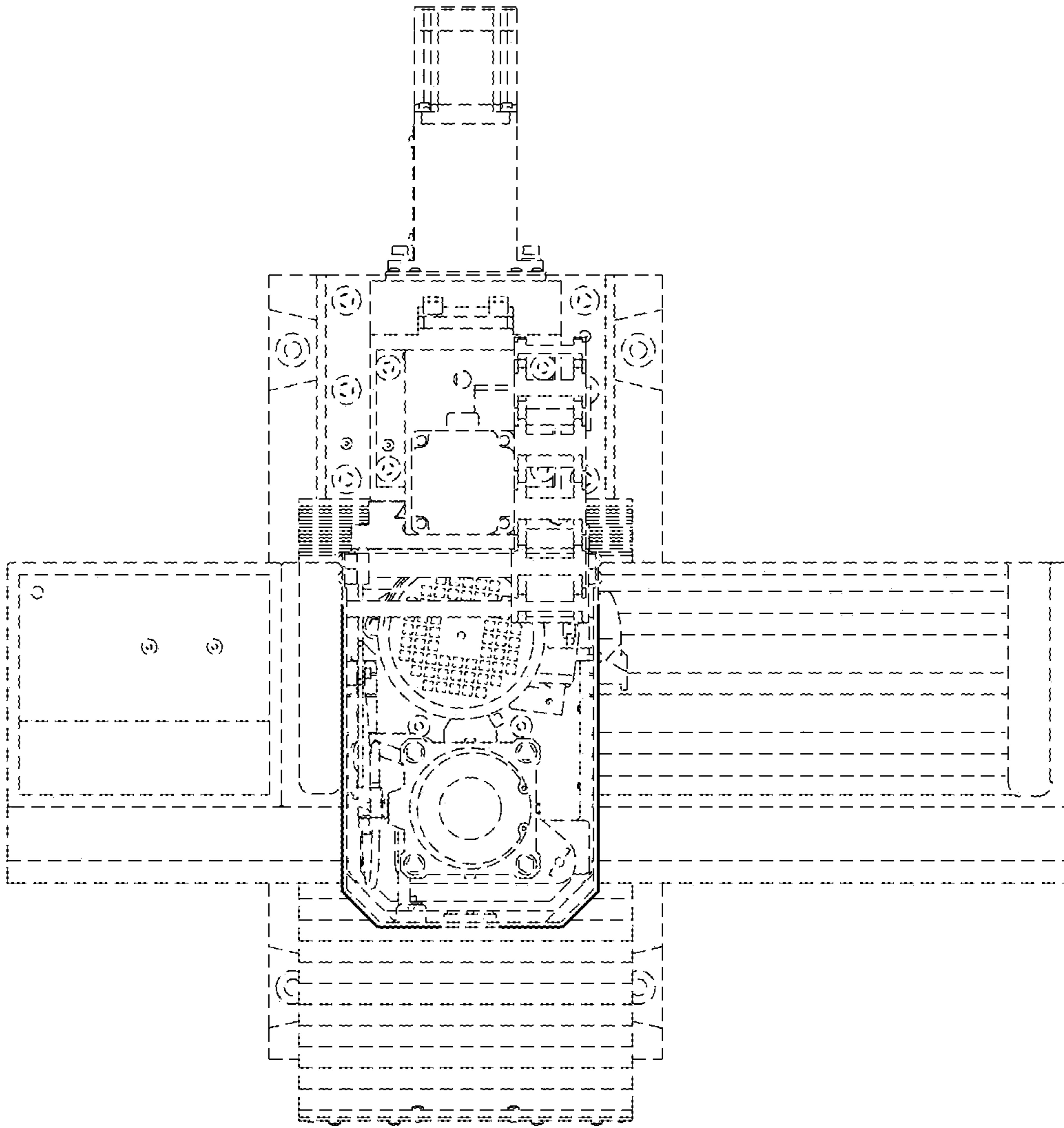


FIG. 7

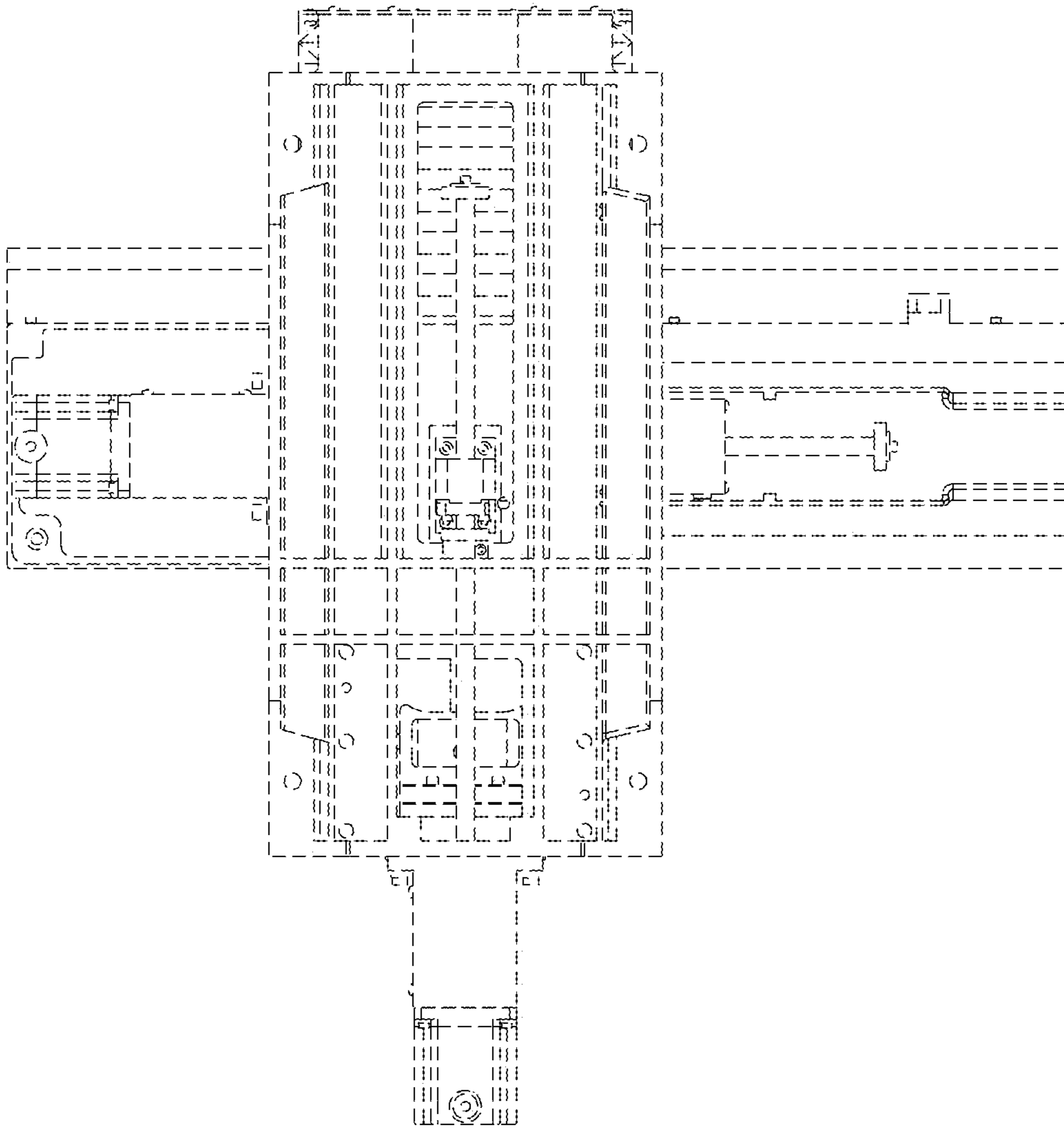


FIG. 8

