



US00D919676S

(12) **United States Design Patent**
Landig

(10) **Patent No.: US D919,676 S**

(45) **Date of Patent: ** May 18, 2021**

(54) **SHELF DESIGN**

(71) Applicant: **Landig + Lava GmbH & Co. KG**,
Bad Saulgau (DE)

(72) Inventor: **Christian Landig**, Berg (DE)

(73) Assignee: **LANDIG + LAVA GmbH & Co. KG**,
Bad Saulgau (DE)

(**) Term: **15 Years**

(21) Appl. No.: **35/507,998**

(22) Filed: **Sep. 3, 2019**

(80) **Hague Agreement Data**

Int. Filing Date: **Sep. 3, 2019**

Int. Reg. No.: **DM/204422**

Int. Reg. Date: **Sep. 3, 2019**

Int. Reg. Pub. Date: **Dec. 6, 2019**

(30) **Foreign Application Priority Data**

Mar. 7, 2019 (EM) 006289575-0002

Mar. 7, 2019 (EM) 006289575-0003

(51) **LOC (13) Cl.** **15-07**

(52) **U.S. Cl.**
USPC **D15/79**
CPC **F25D 25/02** (2013.01)

(58) **Field of Classification Search**

USPC D15/79-91; D6/707, 707.7, 324, 705,
D6/702, 706, 707.19, 675.3, 672, 675,
D6/675.1; D3/301, 309, 315; D7/552.1,
D7/701-708

CPC F25D 23/028; F25D 11/02; F25D 23/126;
F25D 25/02; F25D 27/00; F25D 27/005;
F25D 23/025; F25D 23/04; F25D
2323/021; F25D 2323/023; F25D 23/062;
F25D 25/025; F25D 17/045; F25D
2325/021; F25D 2325/022; F25D 23/00;
F25D 23/02; F25D 23/067; F25D 23/069;
F25D 2400/361; F25D 2500/02; F25D

2500/06; F25D 25/024; F25D 29/00;
F25D 11/00; F25D 11/022; F25D 17/065;
F25D 21/04; F25D 2317/061; F25D
2317/063; F25D 2317/0651; F25D
2317/0653; F25D 2317/0661; F25D
2317/0665; F25D 2323/121; F25D
2323/122; F25D 2327/00; F25D
2327/001; F25D 2331/81; F25D 23/021;
F25D 23/06; F25D 23/066; F25D 23/10;
F25D 23/12; F25D 2400/00; F25D
2400/02; F25D 2400/04; F25D 2400/16;
F25D 2400/36; F25D 2400/40; F25D
25/022; F25D 25/027; F25D 25/028;
F25D 2600/02; F25D 2600/06; F25D
2700/00; F25D 2700/04; F25D 2700/12;
F25D

(Continued)

(56) **References Cited**

U.S. PATENT DOCUMENTS

2,015,389 A * 9/1935 Whitted F25D 25/024
108/143
D244,019 S * 4/1977 Brown D15/88
D255,242 S * 6/1980 Berman D15/89
D309,122 S * 7/1990 Biemolt D11/145

(Continued)

Primary Examiner — Richard E Chilcot

(74) *Attorney, Agent, or Firm* — Breneman & Georges

(57) **CLAIM**

The ornamental design for a shelf design, as shown and described.

DESCRIPTION

FIG. 1.1 is a bottom plan view of my new design;
FIG. 1.2 is a top plan view of FIG. 1.1;
FIG. 1.3 is a front side view of FIG. 1.1, the back side being
a mirror image thereof;
FIG. 1.4 is a right side view of FIG. 1.1, the left side being
a mirror image thereof;

(Continued)

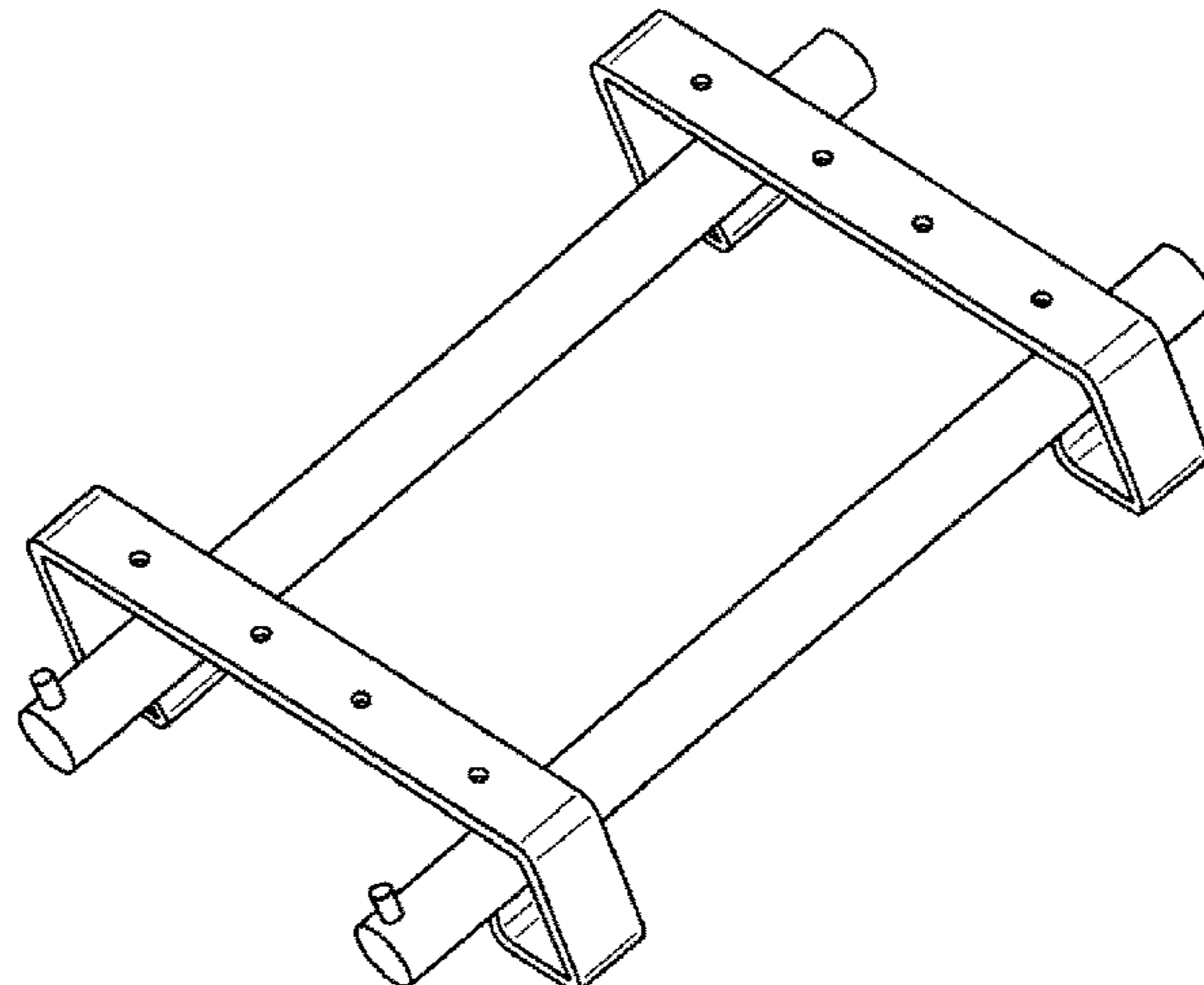


FIG. 1.5 is a perspective top left side view left side view of FIG. 1.1; and
 FIG. 1.6 is a perspective bottom left side view of FIG. 1.1.

1 Claim, 5 Drawing Sheets

(58) Field of Classification Search

CPC 2700/122; F25D 2700/14; F25D 29/005;
 F25D 31/00; F25D 31/002; F25D 31/005
 See application file for complete search history.

(56) References Cited

U.S. PATENT DOCUMENTS

D421,534 S *	3/2000	Trulaske, Sr.	D15/81
D475,374 S *	6/2003	Segers	F25D 25/02
				D15/89
D481,740 S *	11/2003	Li	D15/81
D512,081 S *	11/2005	Chang	D15/81
D513,014 S *	12/2005	Seki	D15/81
D514,136 S *	1/2006	Becke	D15/81
D519,133 S *	4/2006	Chang	D15/81
D551,263 S *	9/2007	Becke	D15/89
D620,505 S *	7/2010	Baacke	D15/81
D627,374 S *	11/2010	Yang	D15/81
D630,230 S *	1/2011	Yang	D15/81

D670,316 S *	11/2012	Grutzke	F25D 27/00
				D15/81
D671,574 S *	11/2012	Jafa	D15/91
D671,576 S *	11/2012	Jafa	D15/91
D681,692 S *	5/2013	Meda	D15/81
D700,221 S *	2/2014	Ringemann	D15/89
D709,107 S *	7/2014	Kim	D15/89
D709,108 S *	7/2014	Lee	D15/89
D711,936 S *	8/2014	Hynes	A47B 73/00
				D15/89
D719,987 S *	12/2014	Lee	D15/89
D724,631 S *	3/2015	Kim	D15/89
D726,455 S *	4/2015	Collini	D6/661
D747,905 S *	1/2016	Collini	D6/705.7
D751,125 S *	3/2016	Kim	D15/89
D769,947 S *	10/2016	Lee	D15/89
D770,543 S *	11/2016	Lee	D15/89
D770,544 S *	11/2016	Lee	D15/89
D814,215 S *	4/2018	Yan	D6/660
D826,995 S *	8/2018	Diamond	D15/89
D845,045 S *	4/2019	Dunahay	D6/681.1
D847,218 S *	4/2019	Choi	D15/89
D847,220 S *	4/2019	Strum	D15/89
D849,065 S *	5/2019	Diamond	D15/89
D862,136 S *	10/2019	Dunahay	D6/675
2005/0258118 A1 *	11/2005	Lee	A47B 73/002
				211/134
2007/0228909 A1 *	10/2007	Hwang	F25D 25/024
				312/408

* cited by examiner

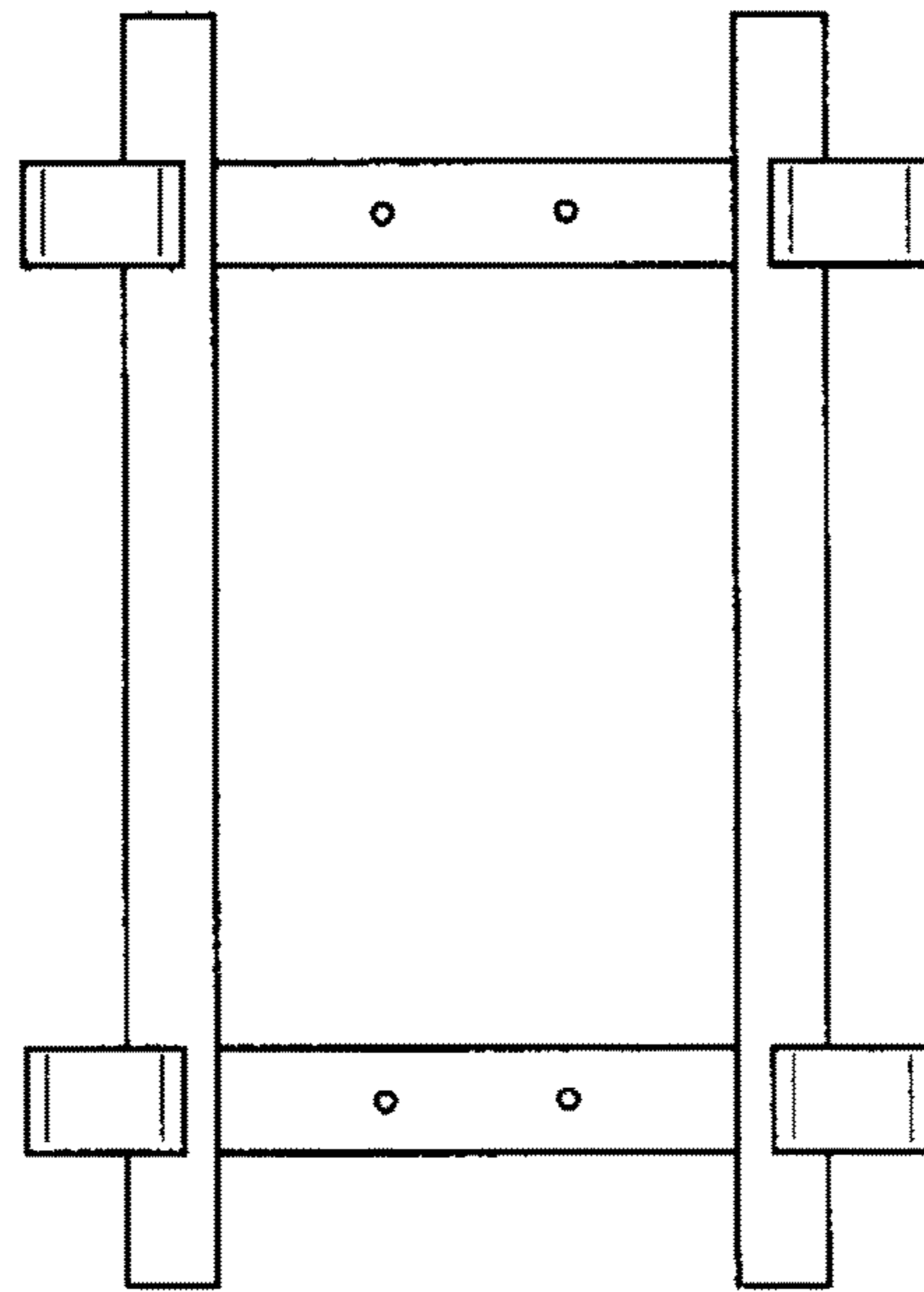


FIG. 1.1

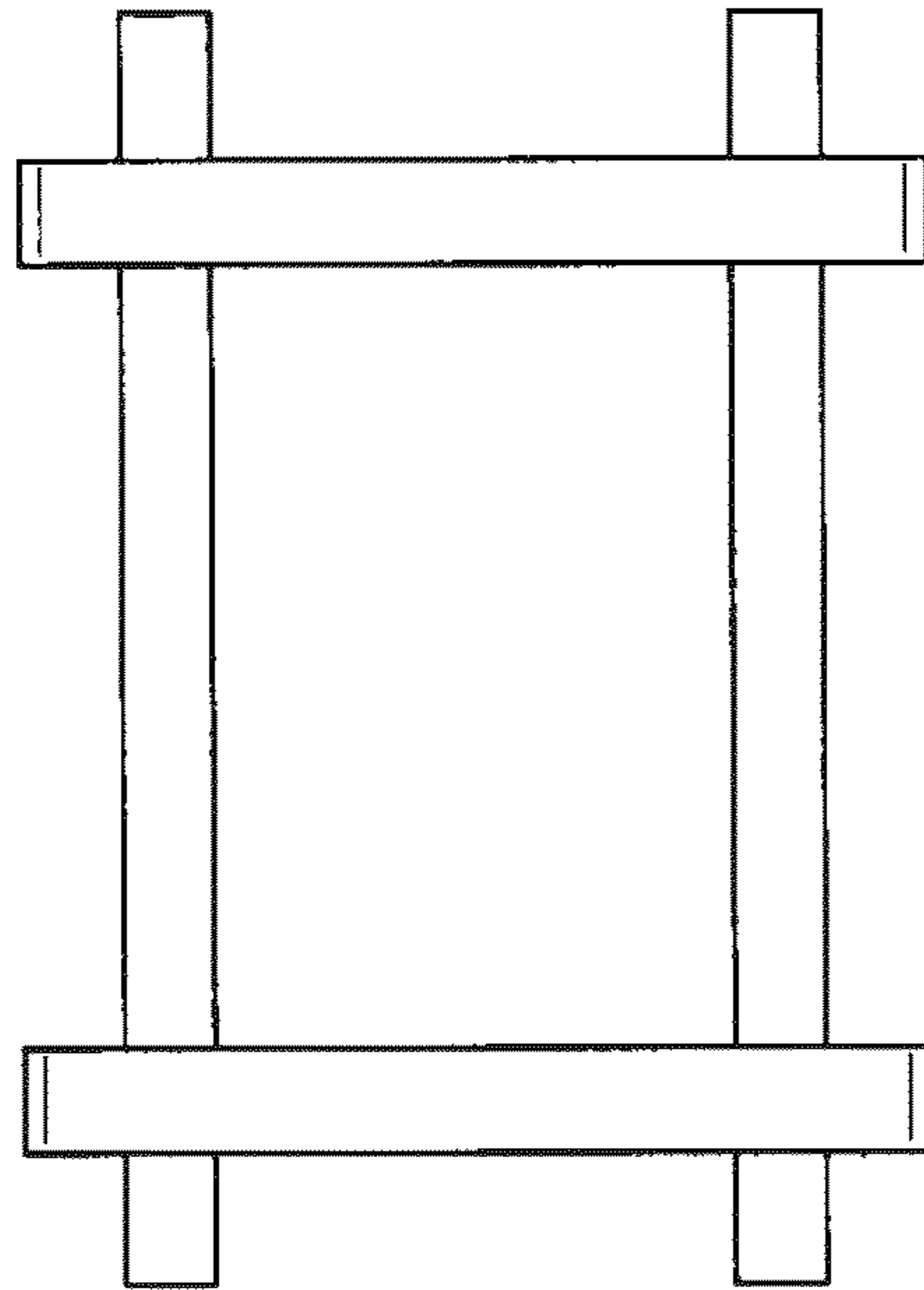


FIG. 1.2



FIG. 1.3

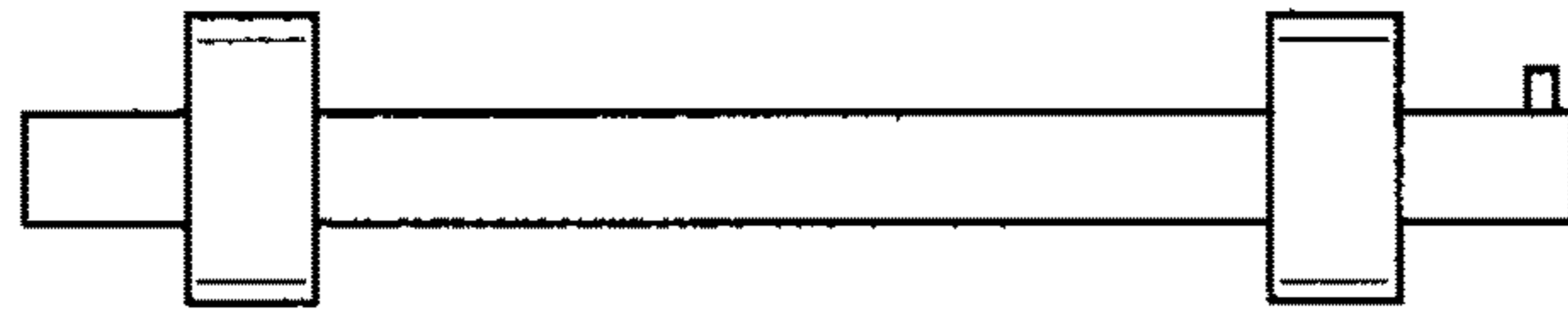


FIG. 1.4

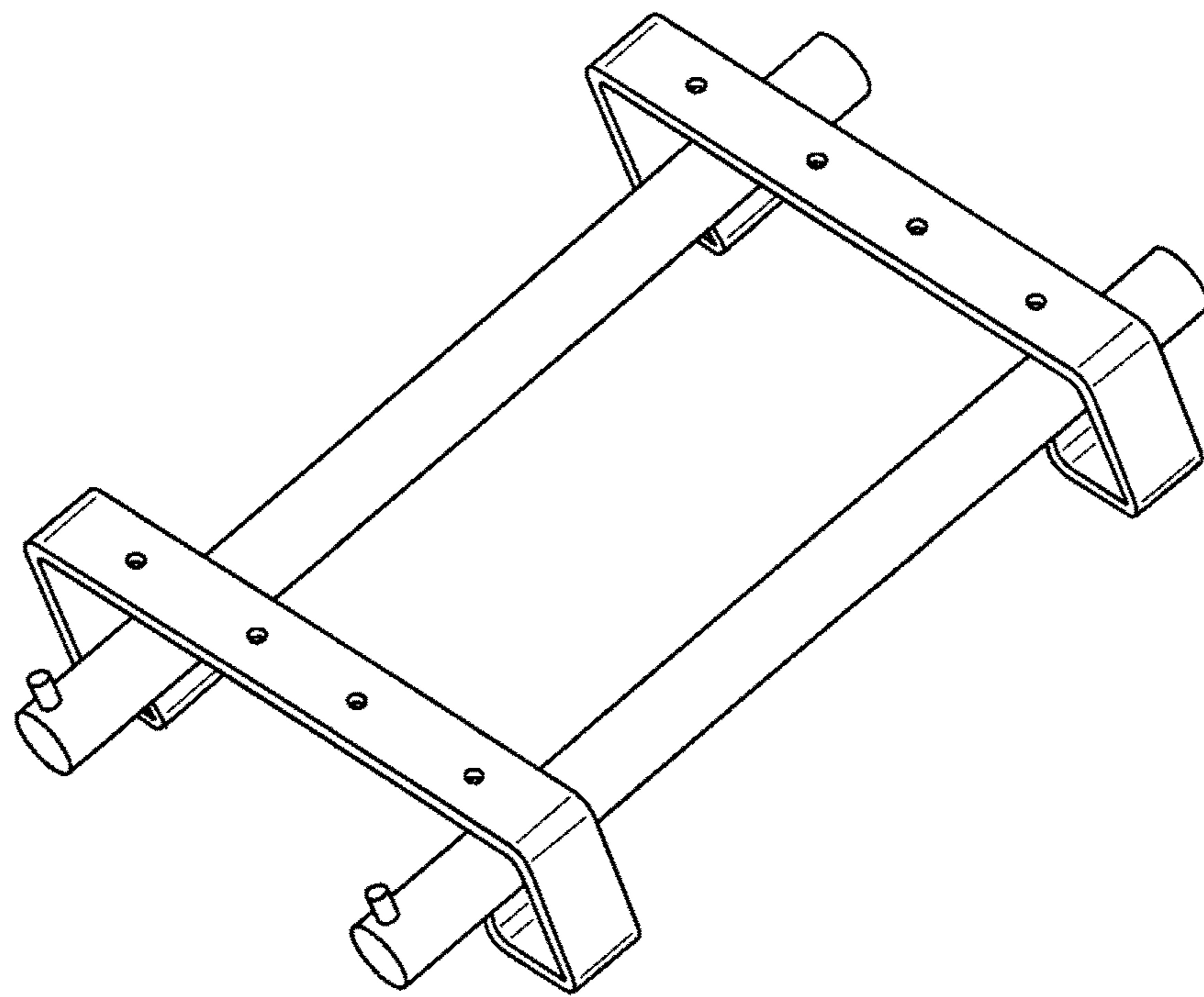


FIG. 1.5

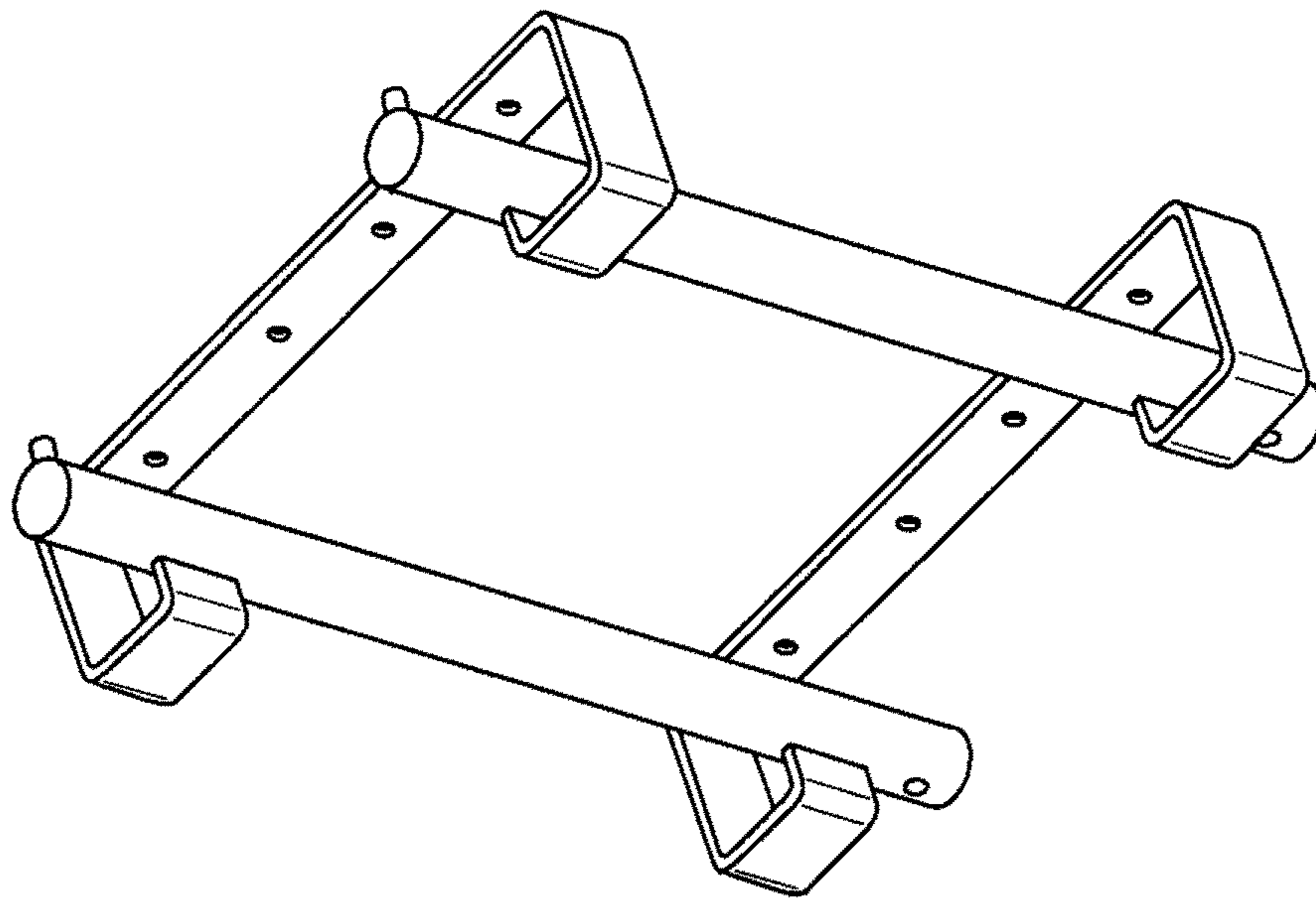


FIG. 1.6