



US00D919673S

(12) **United States Design Patent** (10) **Patent No.:** **US D919,673 S**
Coon et al. (45) **Date of Patent:** **** May 18, 2021**

- (54) **DIVIDER**
- (71) Applicant: **Deere & Company**, Moline, IL (US)
- (72) Inventors: **Steve A. Coon**, Long Grove, IA (US);
Troy M. Heims, Davenport, IA (US)
- (73) Assignee: **DEERE & COMPANY**, Moline, IL (US)
- (**) Term: **15 Years**
- (21) Appl. No.: **29/758,113**
- (22) Filed: **Nov. 12, 2020**

- 4,160,355 A 7/1979 Blake et al.
- 4,166,349 A 9/1979 Coenberg et al.
- 4,397,134 A 8/1983 Lausch et al.
- (Continued)

FOREIGN PATENT DOCUMENTS

- CN 302092321 S 9/2012
- CN 302220180 S 12/2012

OTHER PUBLICATIONS

Deere & Company, Grain Harvesting Combines and Front End Equipment, Brochure, Oct. 2018.
(Continued)

Primary Examiner — Mark A Goodwin
(74) *Attorney, Agent, or Firm* — Klintworth & Rozenblat IP LLP

Related U.S. Application Data

- (62) Division of application No. 29/712,589, filed on Nov. 8, 2019.

Foreign Application Priority Data

May 9, 2019 (EM) 006435152

- (51) **LOC (13) Cl.** **15-03**
- (52) **U.S. Cl.**
USPC **D15/28**
- (58) **Field of Classification Search**
USPC D15/10-33; 56/119, 94, DIG. 24
CPC A01D 45/021; A01D 45/02; A01D 45/00;
A01D 45/028; A01D 45/30; A01D
45/025; A01D 75/00; A01D 75/02; A01D
43/082
See application file for complete search history.

References Cited

U.S. PATENT DOCUMENTS

- 2,440,791 A 5/1948 Welty
- 3,110,314 A 11/1963 Roberts et al.
- 3,241,299 A 3/1966 Sutton
- 3,520,121 A 7/1970 Ashton et al.
- D222,377 S 10/1971 Newton et al.
- D227,391 S 6/1973 Lawrence

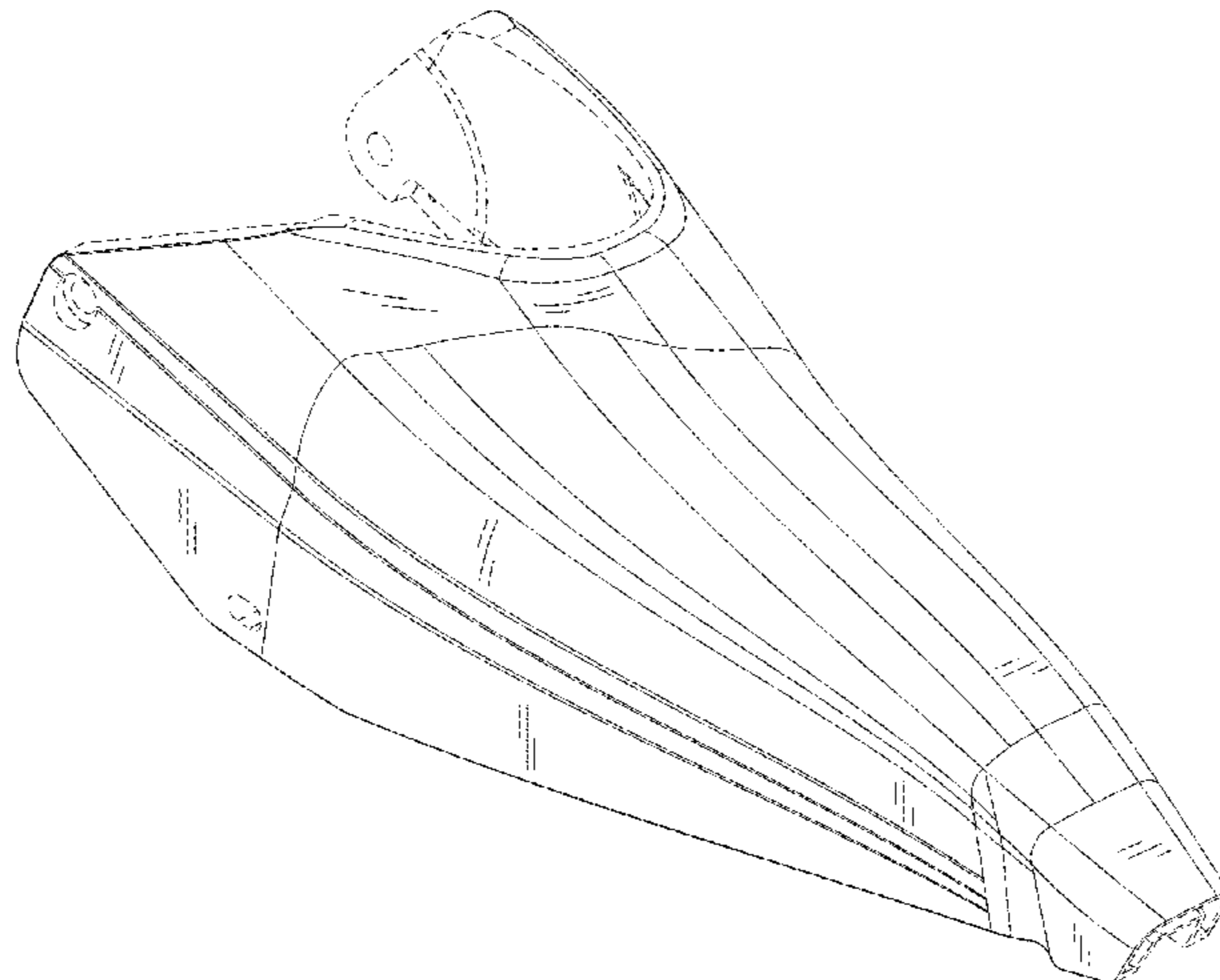
(57) **CLAIM**

The ornamental design for a divider, as shown and described.

DESCRIPTION

FIG. 1 is a perspective view of a divider according to our new design;
FIG. 2 is a first side elevational view thereof;
FIG. 3 is a second side elevational view thereof;
FIG. 4 is a first end elevational view thereof;
FIG. 5 is a second end elevational view thereof;
FIG. 6 is a first plan view thereof;
FIG. 7 is a second plan view thereof;
FIG. 8 is a perspective view of a divider according to another embodiment of our new design;
FIG. 9 is a first side elevational view thereof;
FIG. 10 is a second side elevational view thereof;
FIG. 11 is a first end elevational view thereof;
FIG. 12 is a second end elevational view thereof;
FIG. 13 is a first plan view thereof; and,
FIG. 14 is a second plan view thereof.

(Continued)



The dash lines depict environment subject matter that forms no part of the claimed design.

1 Claim, 10 Drawing Sheets

(56)

References Cited

U.S. PATENT DOCUMENTS

4,502,270	A	3/1985	Shupert
4,630,430	A	12/1986	Weeks
4,704,850	A	11/1987	Obermeier
4,999,983	A	3/1991	Britt et al.
5,195,309	A	3/1993	Mossman
5,775,076	A	7/1998	Mossman
5,787,697	A	8/1998	Post
5,806,292	A	9/1998	Luecke
D399,854	S	10/1998	Pearson
5,910,092	A	6/1999	Bennett
6,247,297	B1	6/2001	Becker
6,564,536	B1	5/2003	Hoffer
6,625,969	B2	9/2003	Glazik
6,901,730	B1	6/2005	Buresch et al.
7,073,316	B2	7/2006	Resing et al.
7,162,854	B2	1/2007	Yeomans et al.
7,240,471	B2	7/2007	Mossman
7,373,767	B2	5/2008	Calmer
7,658,058	B2	2/2010	Pierson
7,874,134	B1	1/2011	Hoffman
7,913,480	B2	3/2011	Christensen et al.
8,196,381	B2	6/2012	Herman et al.
D739,881	S	9/2015	Walker et al.

9,253,944	B2	2/2016	Hulstein et al.
9,265,198	B2	2/2016	Hulstein et al.
9,386,746	B2	7/2016	Lohrentz et al.
9,603,304	B2	3/2017	Lambertini
9,642,307	B2	5/2017	Long et al.
9,788,487	B2	10/2017	Walker
9,992,935	B2	6/2018	Van Overschelde et al.
10,194,588	B2	2/2019	Lohrentz
2006/0174603	A1	8/2006	Mossman
2017/0086374	A1	3/2017	Engel

OTHER PUBLICATIONS

CLAAS of America, Improves Profitability with Increasing Revenue, Google Search, <https://www.serbia.claas.com/news-testimonials/current/claas-news/claas-improves-profitability-with-increasing-revenue-/1904264>, 2019.

CLAAS of America, photograph of header, 2017.

New Holland, Overview—Corn Heads Leading From the Front, Combines & Headers, <https://agriculture.newholland.com/nar/en-us/equipment/products/combines-and-headers/com-heads>, 2019.

Macdon Industries Ltd, D65 Draper Header, Draper Headers for Combine, <https://www.macdon.com/en/products/d65-draper-headers-for-combine/>, 2019.

New Holland, Draper Heads—Overview Combines & Headers New Holland (US) NHAG, <https://agriculture.newholland.com/nar/en-us/equipment/products/combines-and-headers/draper-heads>, 2019.

Case IH, Draper Heads Combine Harvester, Case IH 3100 Series II Draper Heads, <https://www.caseih.com/northamerica/en-us/products/harvesting/draper-heads>, Copyright 2020.

Massey Ferguson, 9250 DynaFlex Draper Header, <http://www.masseyferguson.us/products/combine-harvesting/9250-dynaflex-draper-headers.html#0>, Copyright 2020.

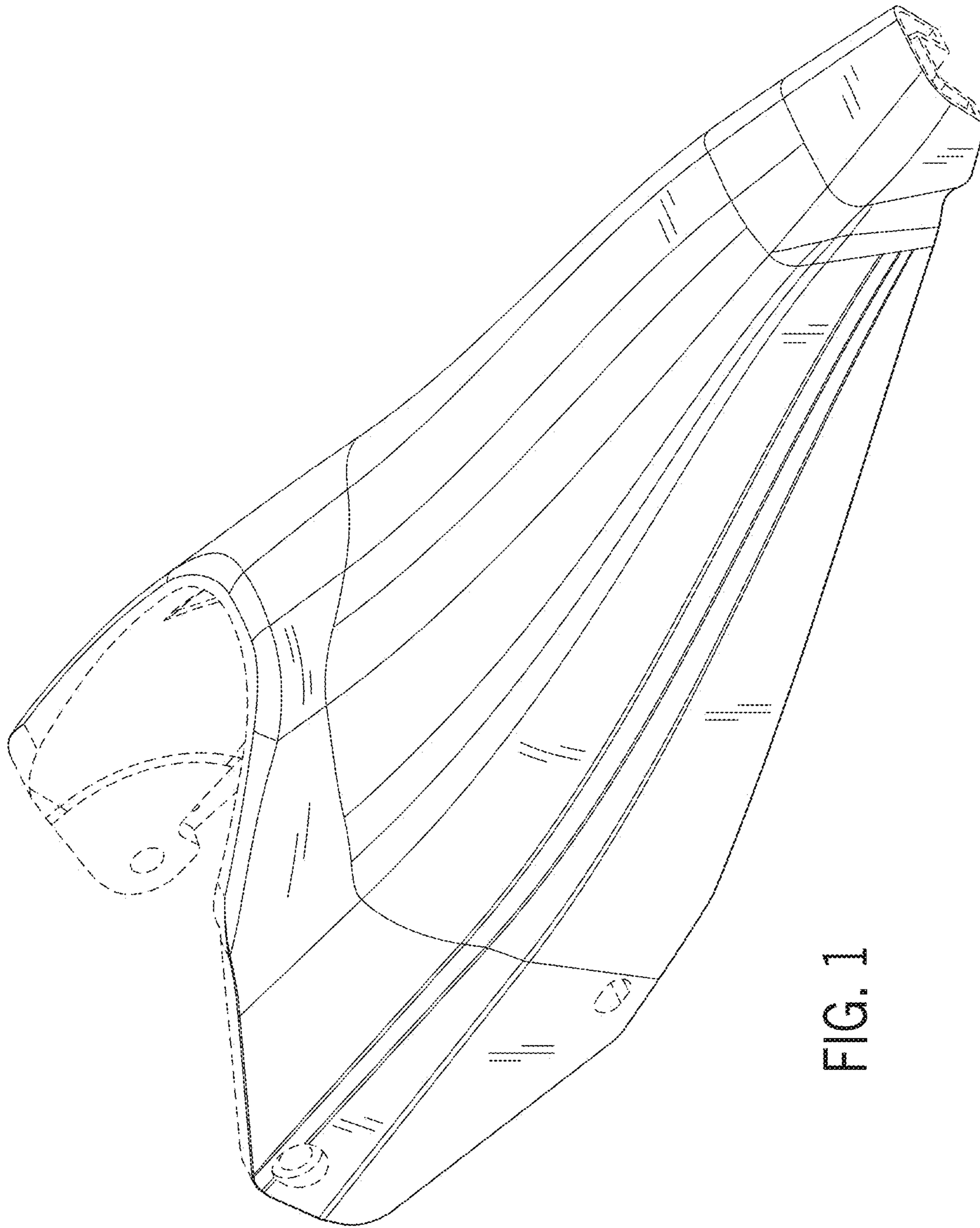


FIG. 1

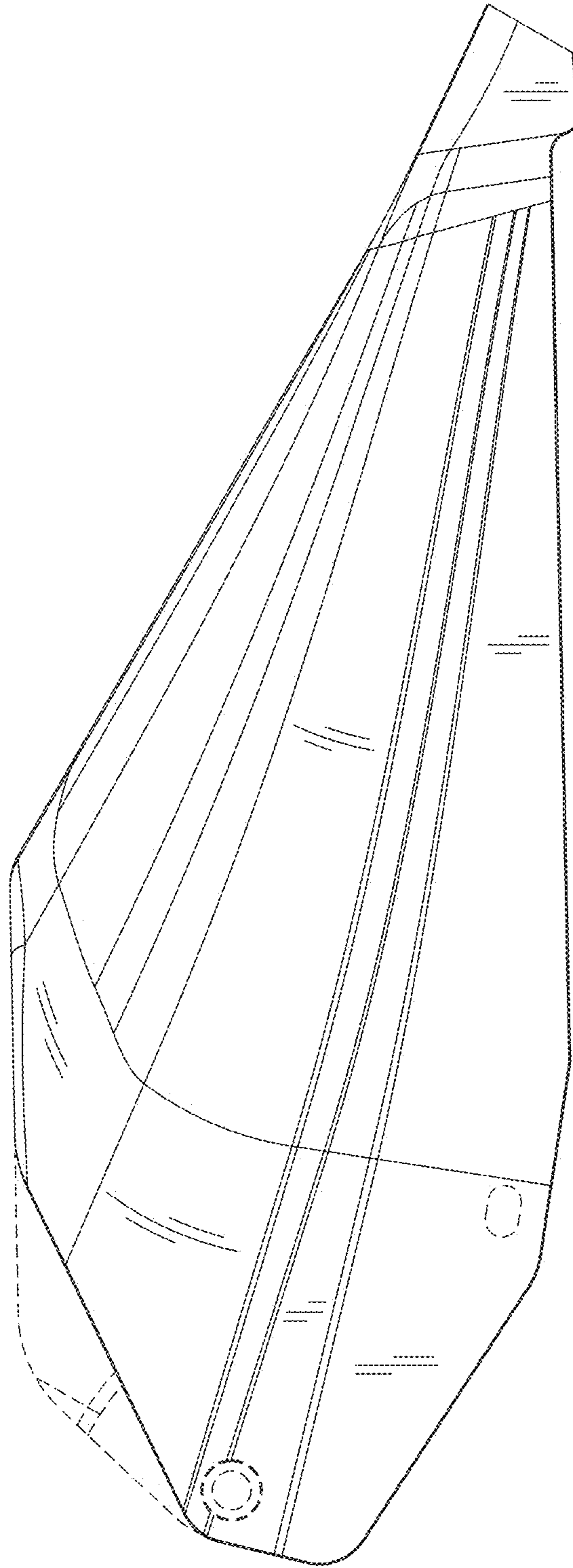


FIG. 2

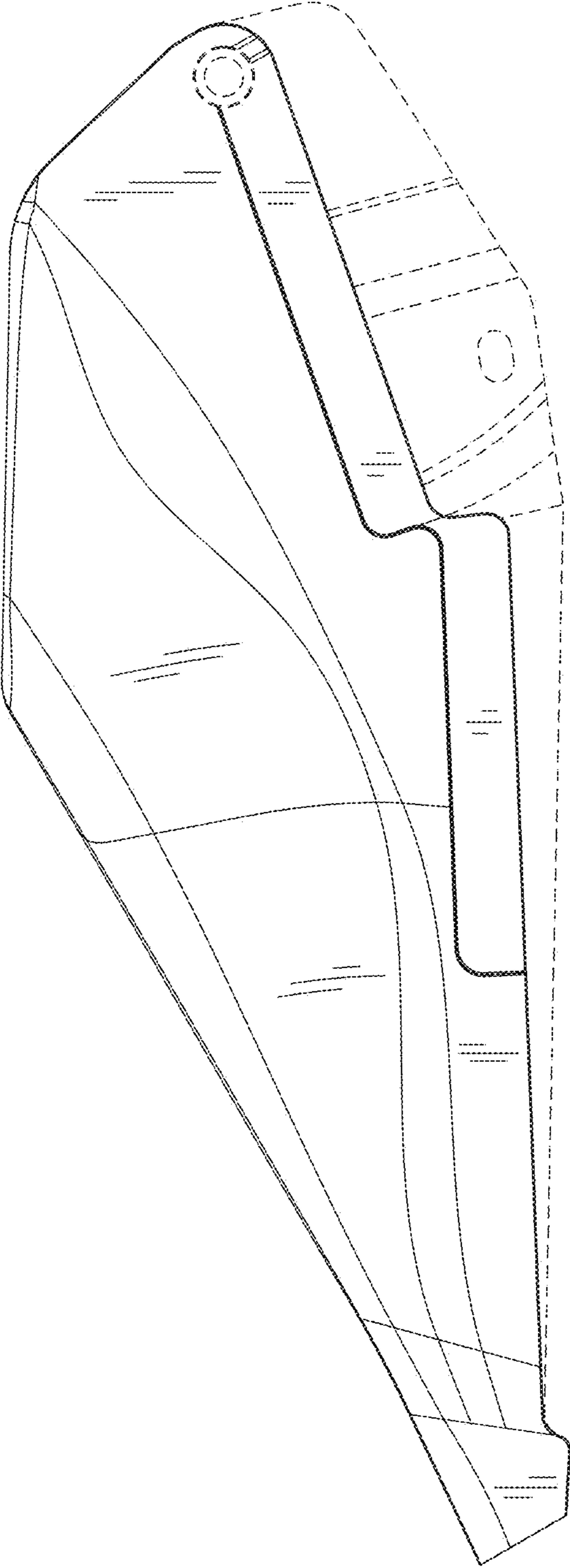


FIG. 3

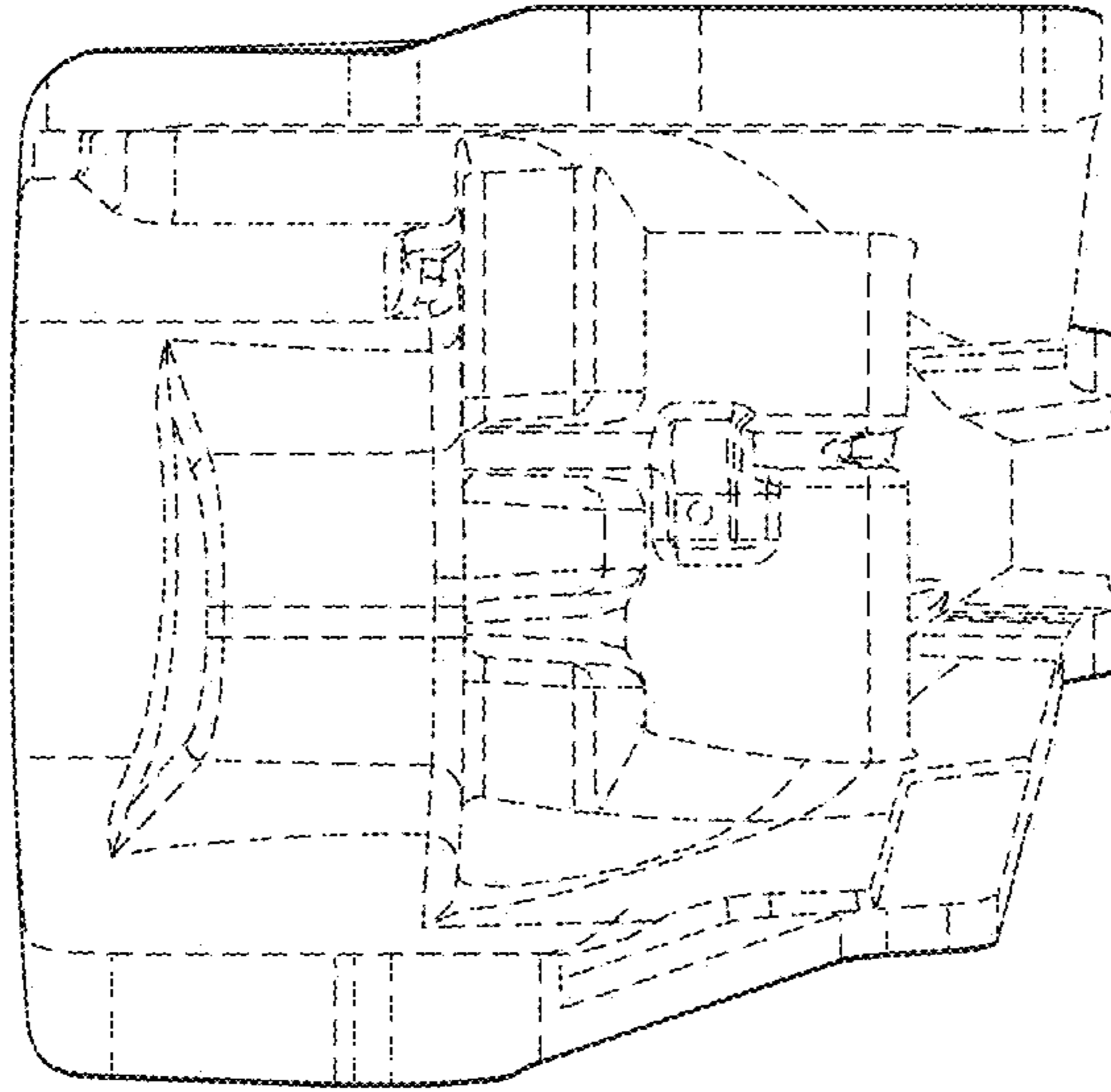


FIG. 4

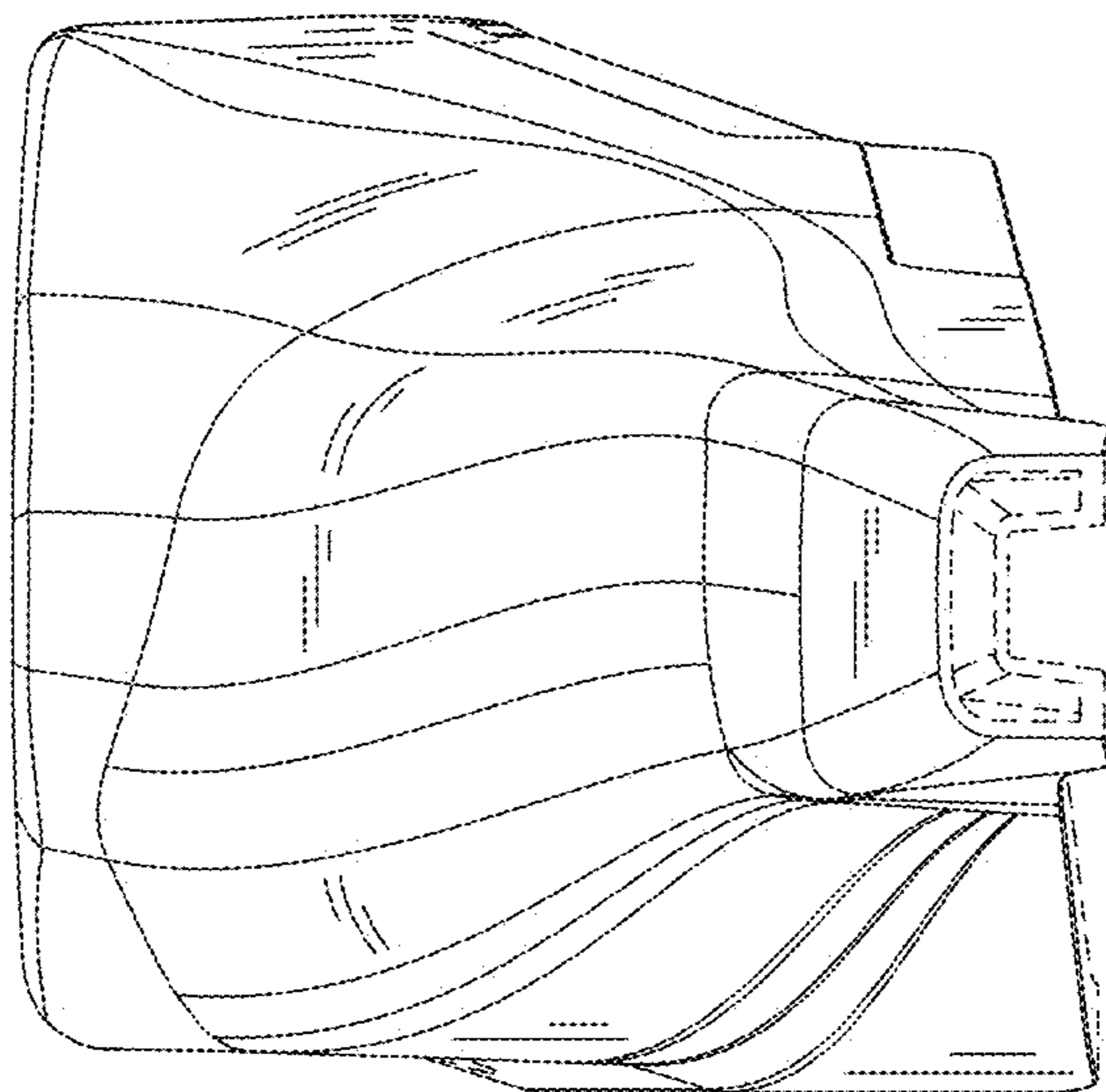


FIG. 5

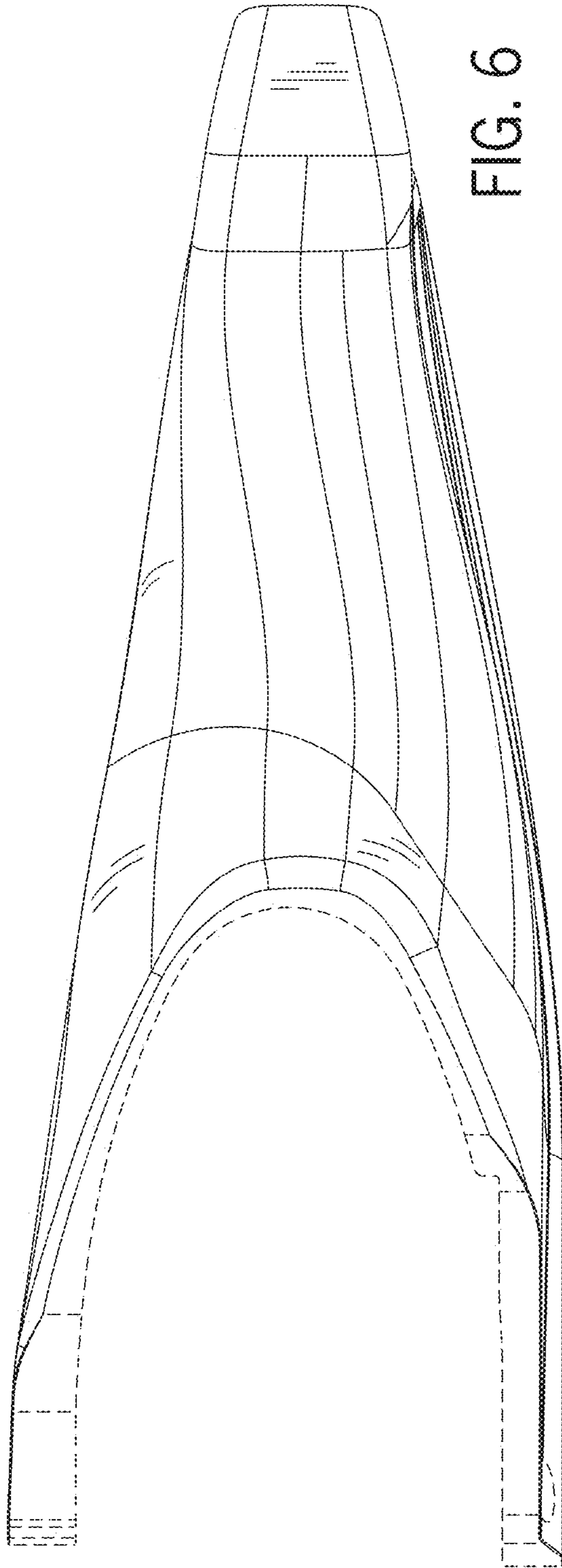


FIG. 6

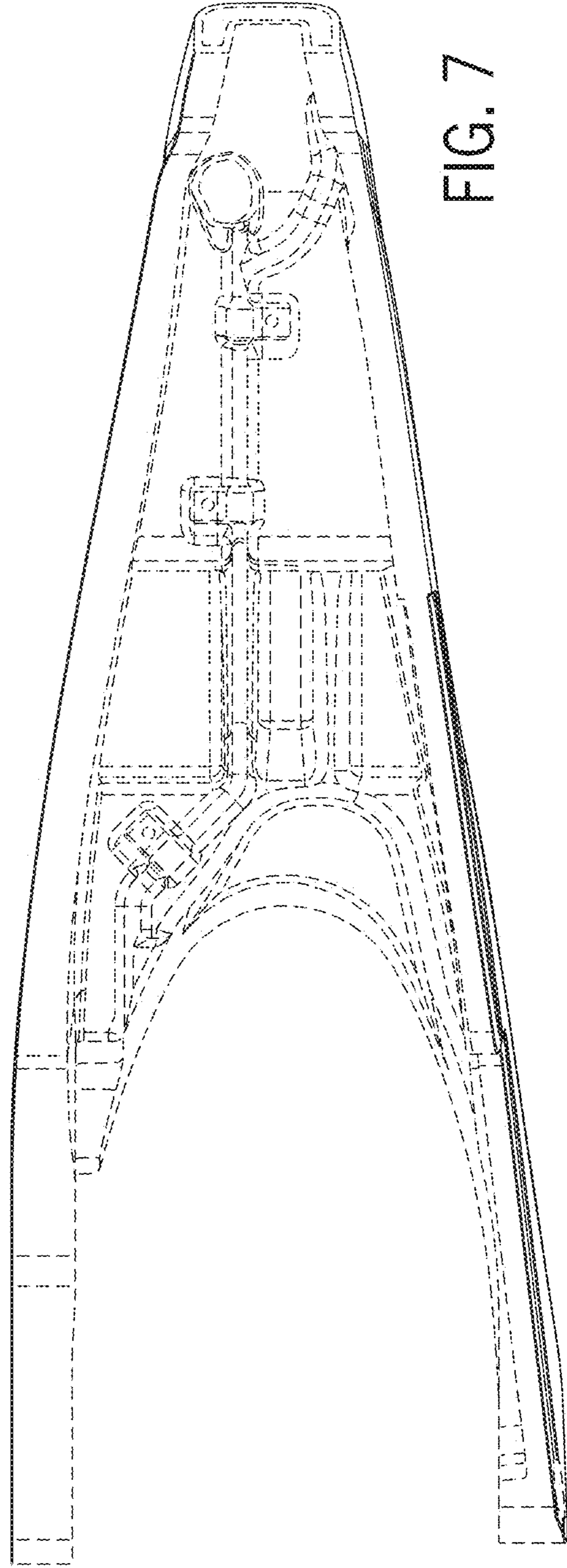


FIG. 7

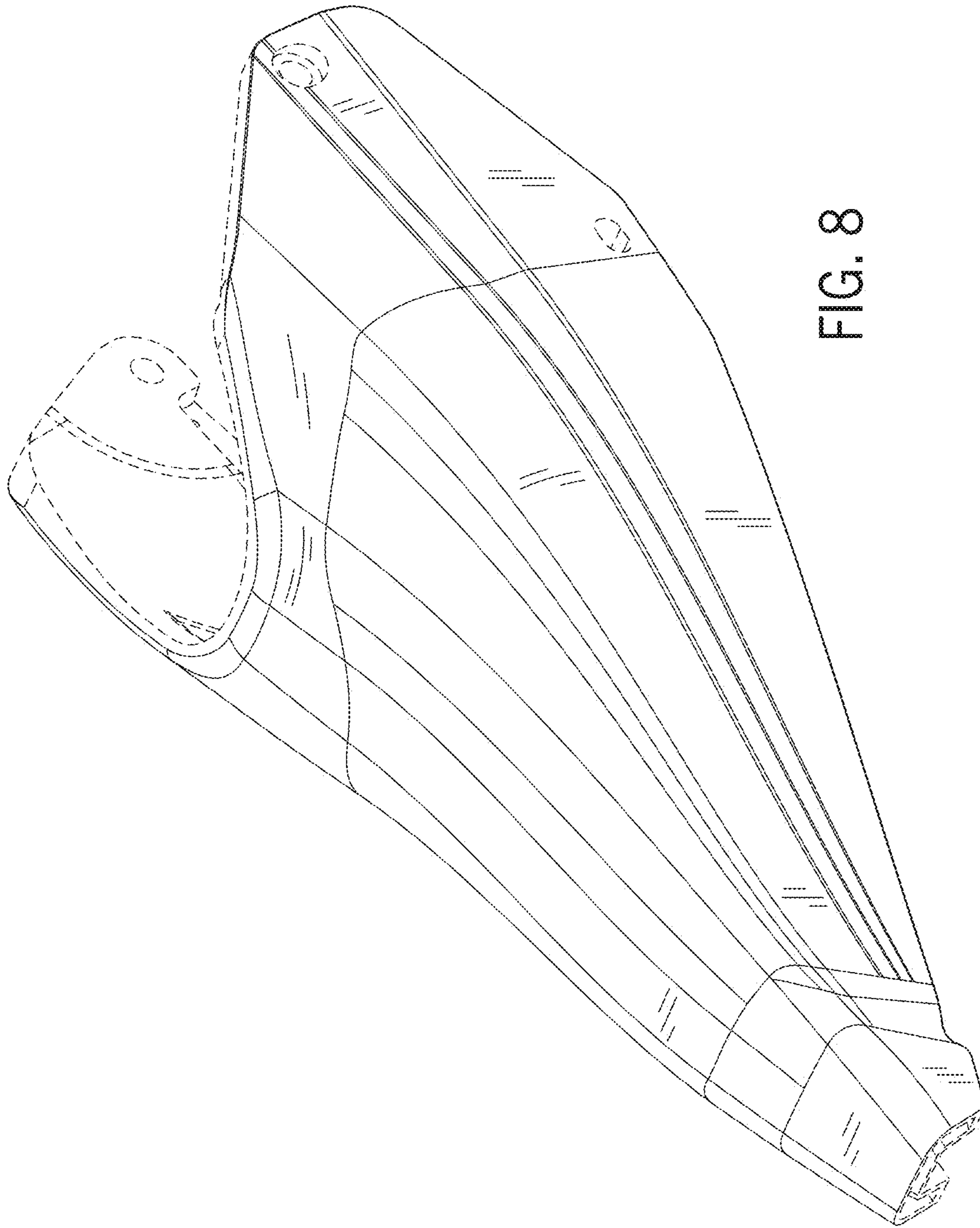


FIG. 8

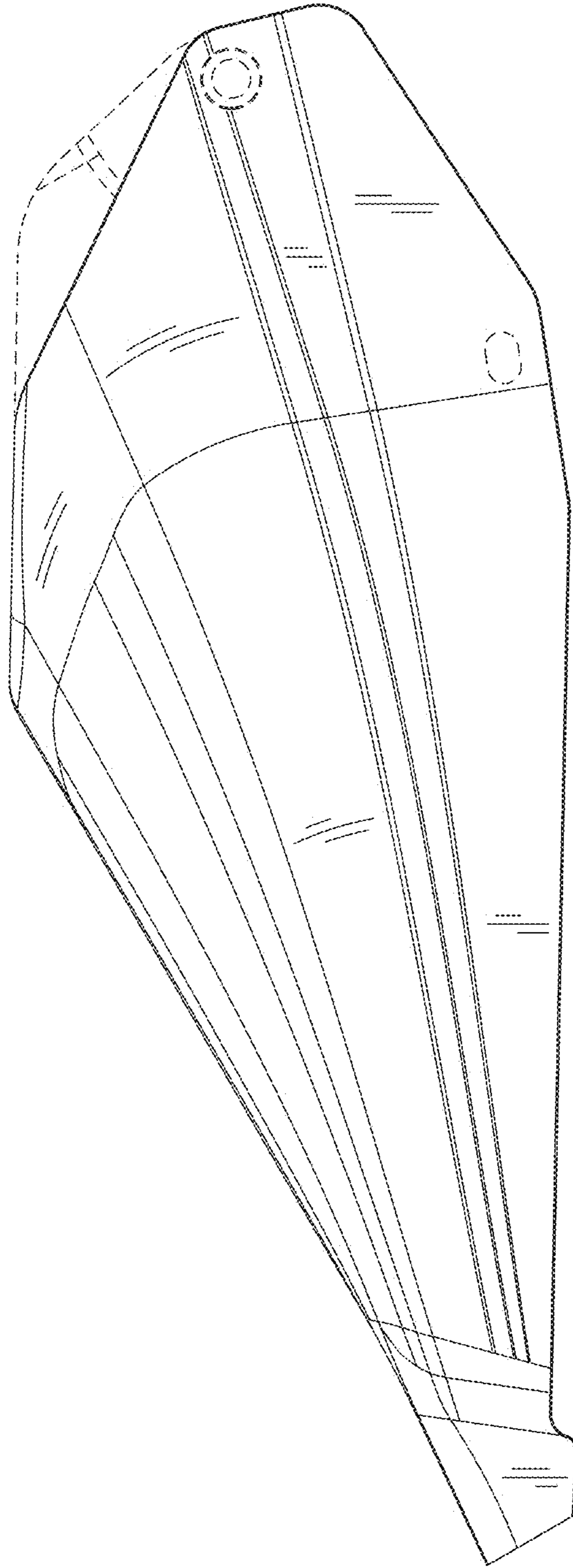


FIG. 9

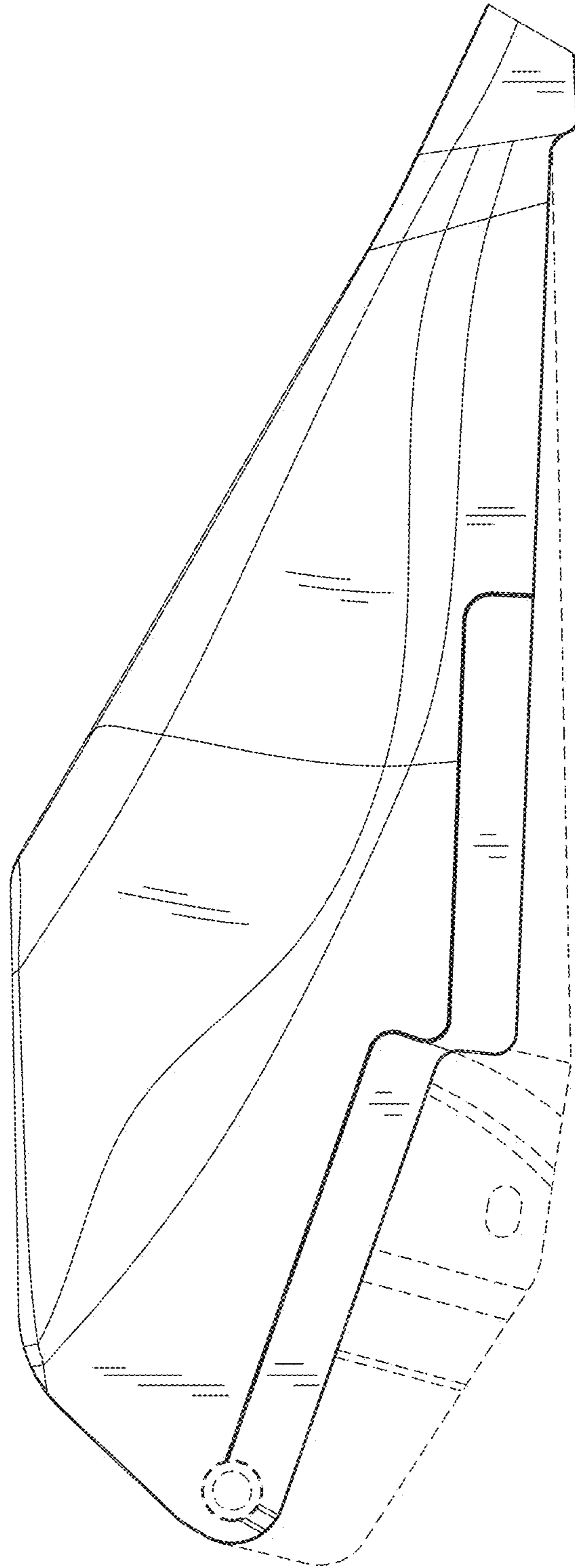


FIG. 10

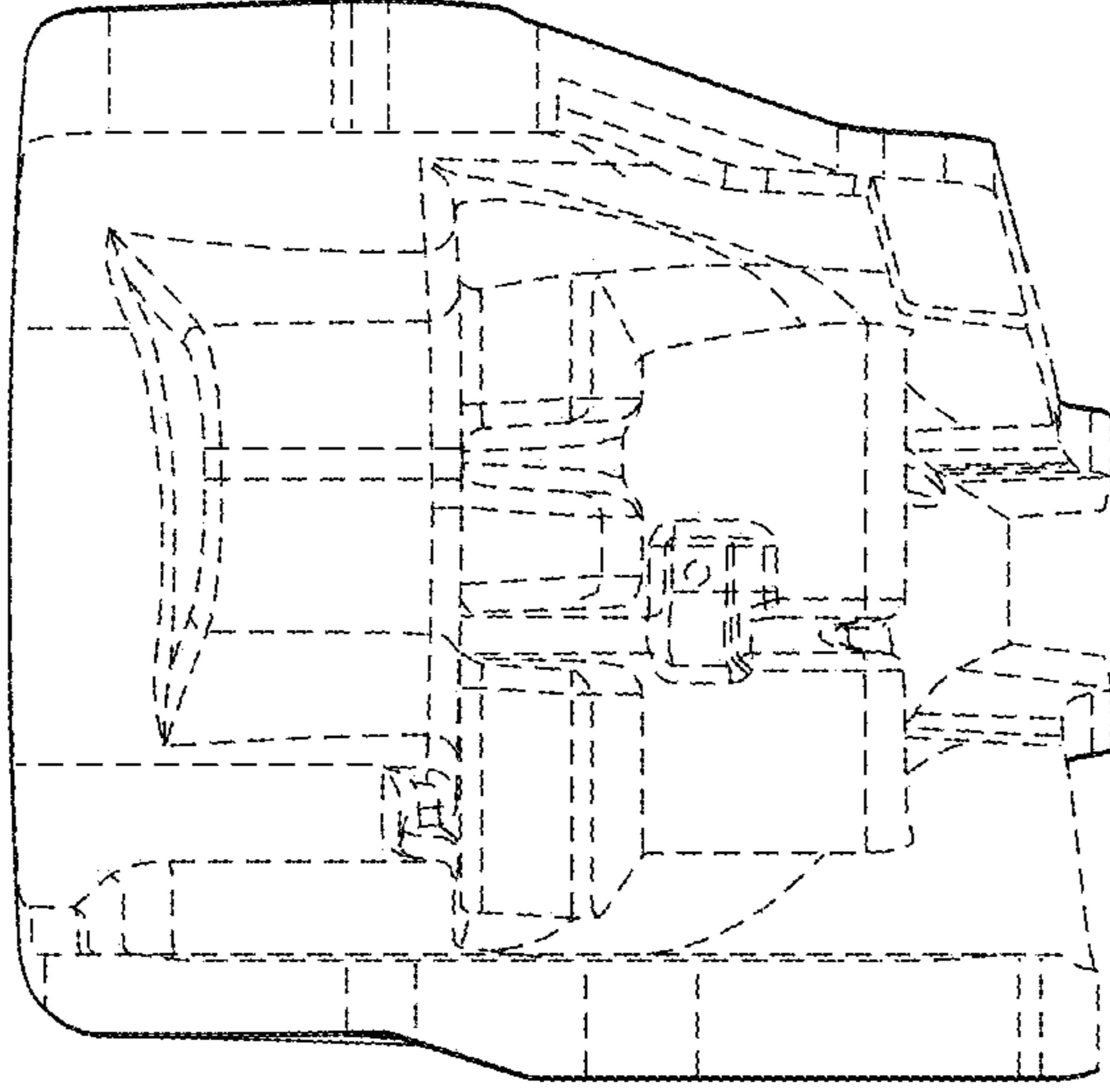


FIG. 11

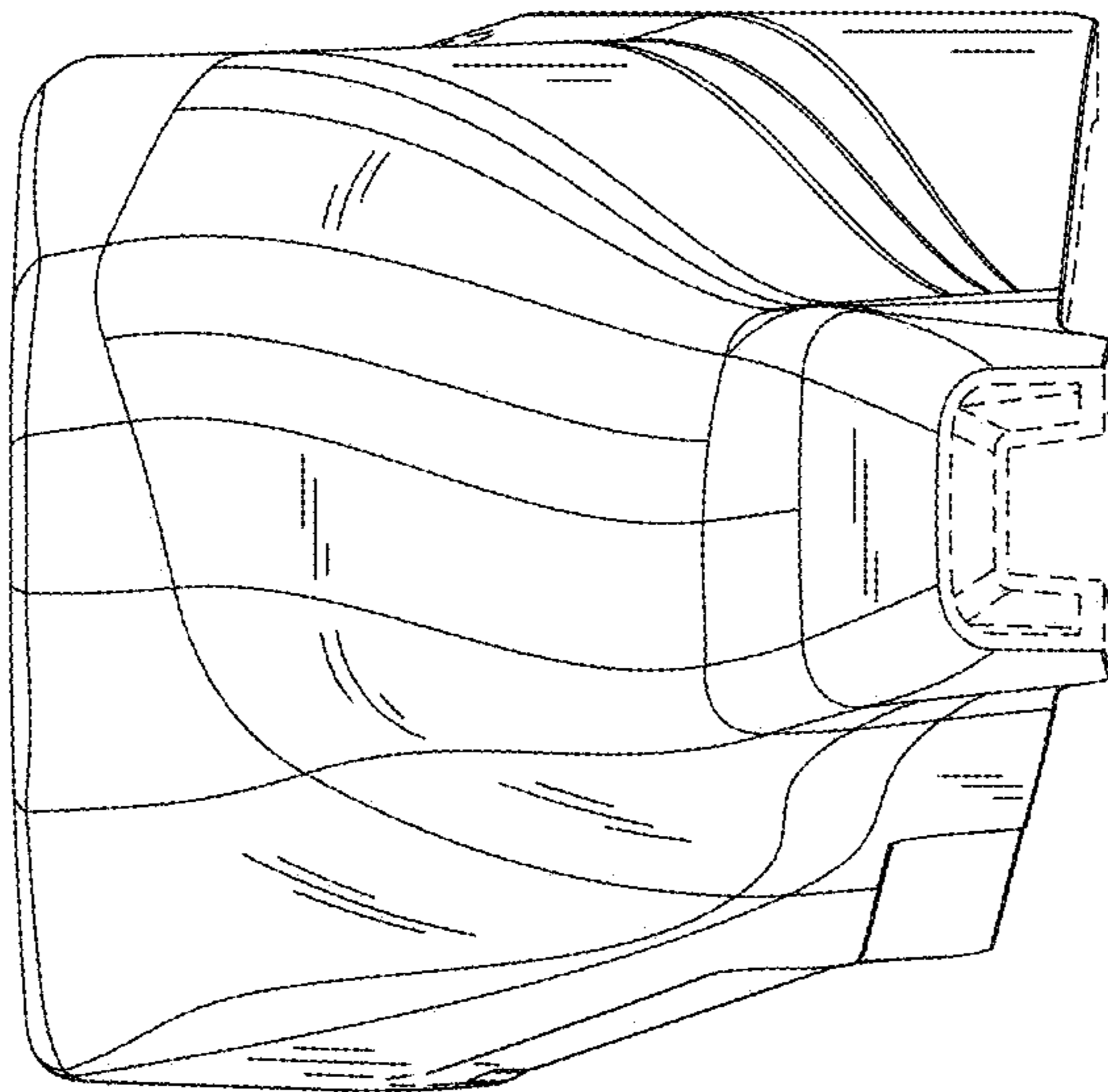


FIG. 12

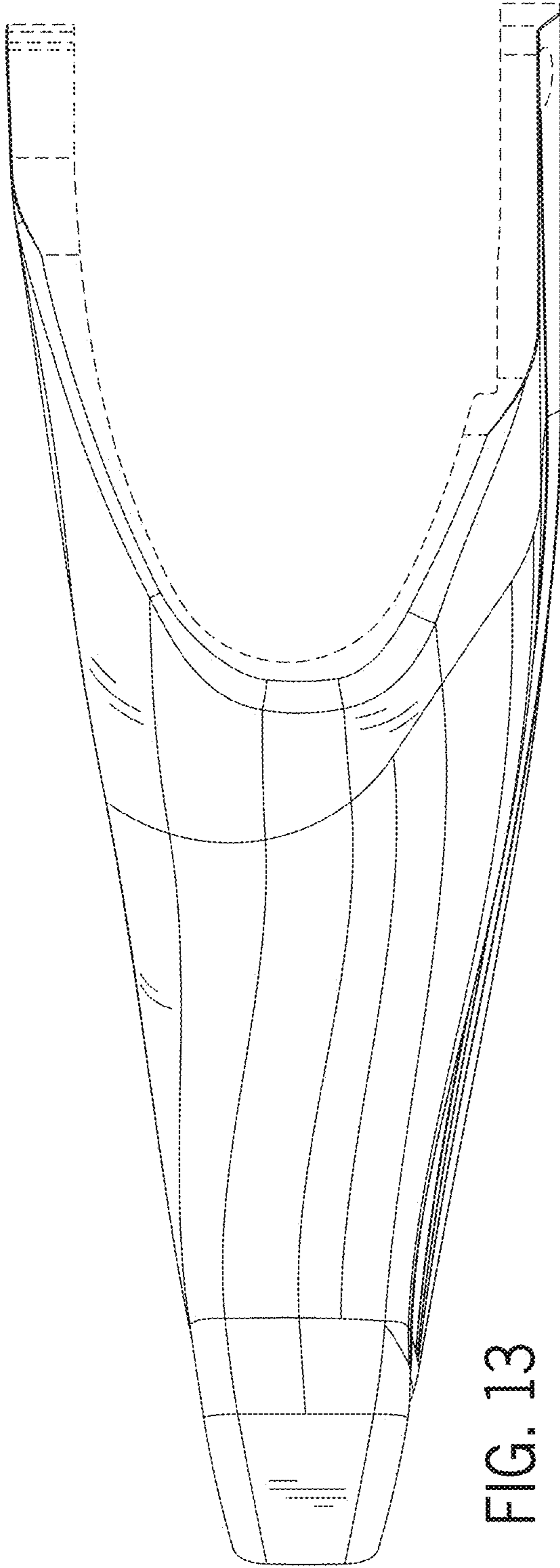


FIG. 13

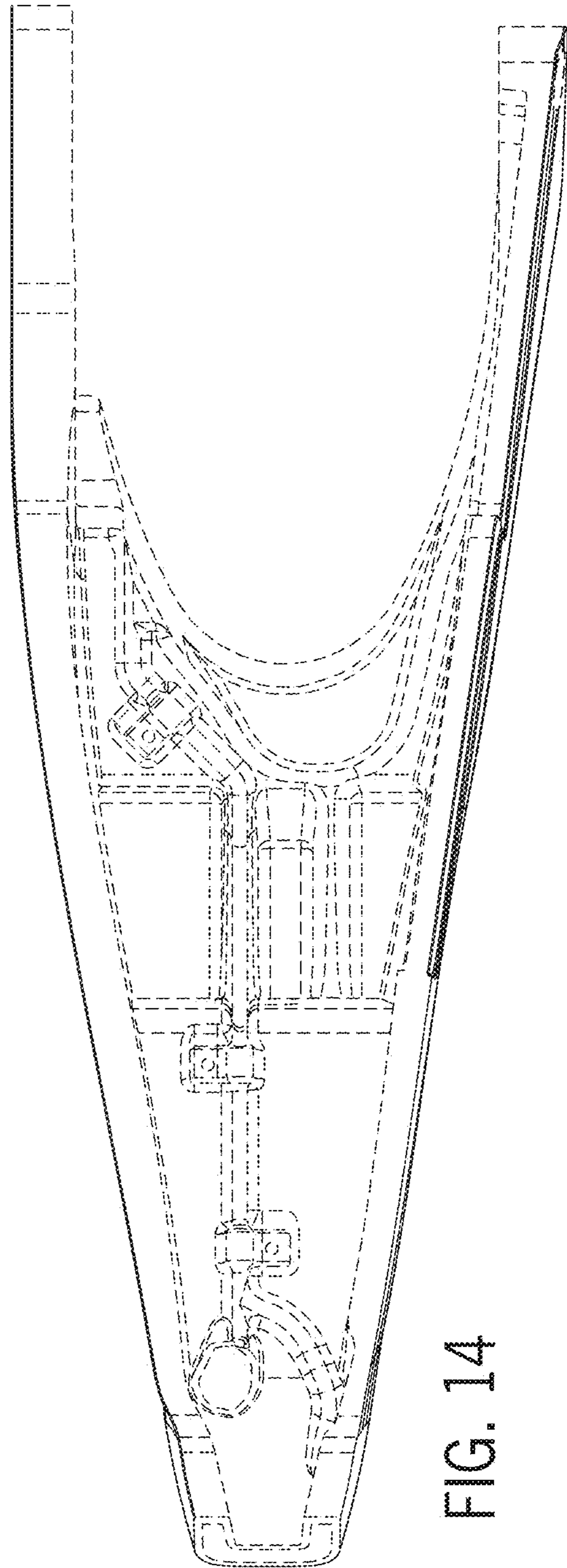


FIG. 14