



US00D919672S

(12) **United States Design Patent** (10) **Patent No.:** **US D919,672 S**  
**Brooks** (45) **Date of Patent:** **\*\* May 18, 2021**

(54) **COVER PANELS FOR DUAL ROTARY RAKING MACHINE**

(71) Applicant: **Agri Systems, Inc.**, Chowchilla, CA (US)

(72) Inventor: **Brendan J. Brooks**, Chowchilla, CA (US)

(73) Assignee: **Agri Systems, Inc.**, Chowchilla, CA (US)

(\*\*) Term: **15 Years**

(21) Appl. No.: **29/680,334**

(22) Filed: **Feb. 14, 2019**

(51) **LOC (13) Cl.** ..... **15-03**

(52) **U.S. Cl.**  
USPC ..... **D15/28**

(58) **Field of Classification Search**  
USPC ..... D15/17, 27, 28  
CPC ..... A01D 89/004; A01D 89/008; A01D 80/00  
See application file for complete search history.

(56) **References Cited**

**U.S. PATENT DOCUMENTS**

D33,475 S *	10/1900	Willis	.....	D15/28
D274,062 S *	5/1984	Hansen	.....	D15/27
D277,677 S *	2/1985	Linger	.....	D15/27
D329,004 S *	9/1992	King	.....	D15/11
D347,846 S *	6/1994	Derreberry	.....	D15/28
5,330,114 A *	7/1994	Trenkamp	.....	A01D 45/021
				241/101.77
D399,854 S *	10/1998	Pearson	.....	D15/28
6,272,826 B1 *	8/2001	Menichetti	.....	A01D 78/1007
				56/367

(Continued)

Primary Examiner — Mark A Goodwin

(74) *Attorney, Agent, or Firm* — Sierra IP Law, P.C.; Mark D. Miller

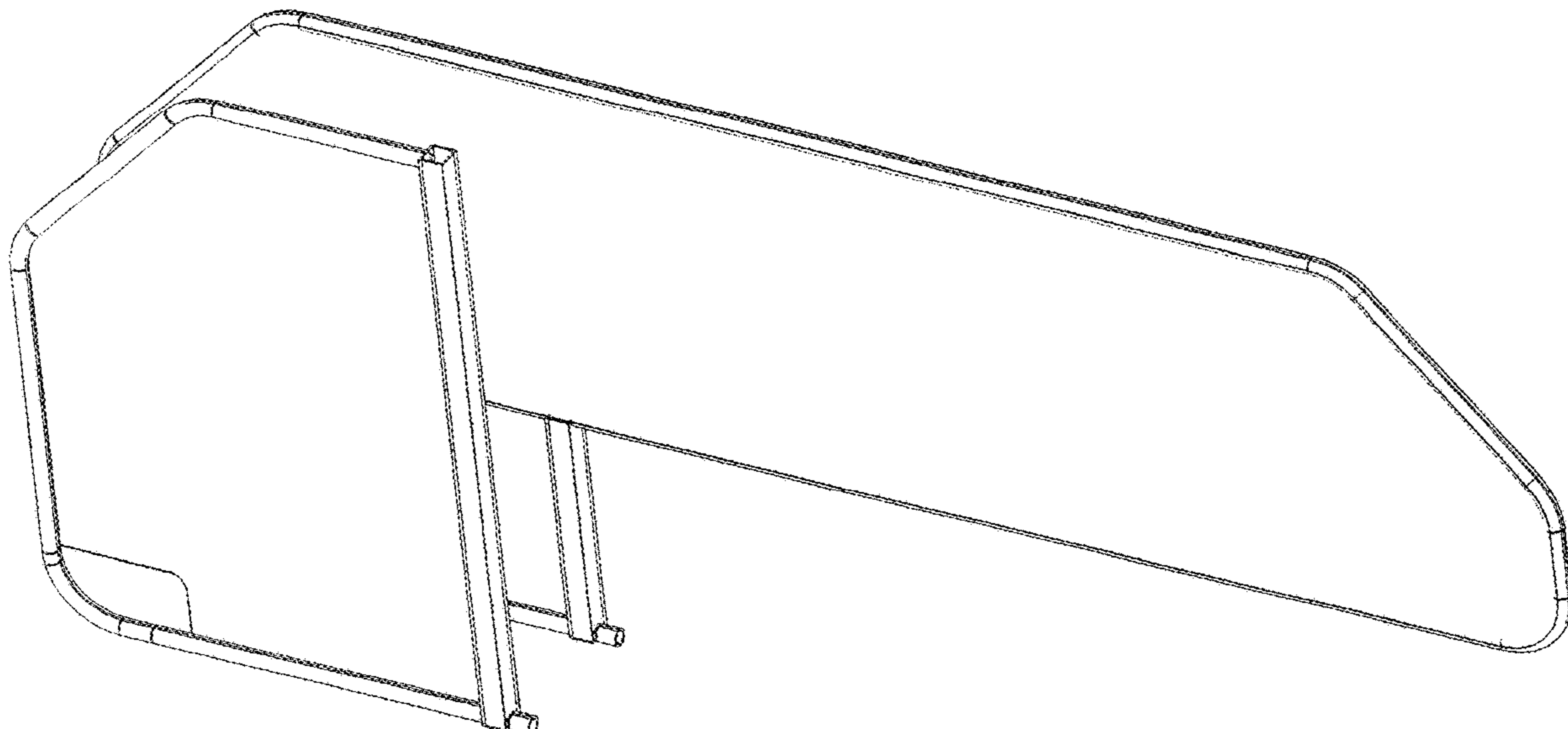
(57) **CLAIM**

I claim the ornamental design for a cover panels for a dual rotary raking machine, as shown and described.

**DESCRIPTION**

FIG. 1 is a left side perspective view of cover panels for a dual rotary raking machine in an upward orientation showing my new design;  
 FIG. 2 is a different left side perspective view thereof;  
 FIG. 3 is a right side perspective view thereof;  
 FIG. 4 is a different right side perspective view thereof;  
 FIG. 5 is a top plan view thereof;  
 FIG. 6 is a bottom plan view thereof;  
 FIG. 7 is a right side elevational view thereof;  
 FIG. 8 is a left side elevational view thereof;  
 FIG. 9 is a front elevational view thereof; and  
 FIG. 10 is a rear elevational view thereof.  
 FIG. 11 is a top perspective view of cover panels for a dual rotary raking machine in a lowered orientation showing my new design;  
 FIG. 12 is a different top perspective view thereof;  
 FIG. 13 is a top plan view thereof;  
 FIG. 14 is a bottom plan view thereof;  
 FIG. 15 is a right side elevational view thereof;  
 FIG. 16 is a left side elevational view thereof;  
 FIG. 17 is a rear perspective elevational view thereof.  
 FIG. 18 is a rear elevational view thereof;  
 FIG. 19 is a front elevational view thereof.  
 FIG. 20 is an environmental view of cover panels for a dual rotary raking machine in an upward orientation showing my new design; and,  
 FIG. 21 is an environmental view of cover panels for a dual rotary raking machine in a lowered orientation showing my new design.  
 The broken line showing of the rotary machine and the extra pair of cover panels in FIGS. 20 and 21 is included for the purpose of illustrating environmental structure only and forms no part of the claimed design.

**1 Claim, 20 Drawing Sheets**



(56)

**References Cited**

U.S. PATENT DOCUMENTS

D600,253	S *	9/2009	Jacobs	.....	D15/10
D624,939	S *	10/2010	Flickinger	.....	D15/28
D626,972	S *	11/2010	Hoover	.....	D15/27
D669,504	S *	10/2012	Higashikawa	.....	D15/28
8,511,052	B2 *	8/2013	Dow	.....	A01D 84/00
					56/364
D697,535	S *	1/2014	Walker	.....	D15/28
D697,944	S *	1/2014	Walker	.....	D15/28
D739,881	S *	9/2015	Walker	.....	D15/28
D839,927	S *	2/2019	Winter	.....	D15/11
D877,203	S *	3/2020	Ruangjam	.....	D15/27
2011/0298197	A1 *	12/2011	Menichetti	.....	A01D 78/144
					280/638
2013/0014481	A1 *	1/2013	Dow	.....	A01D 57/20
					56/13.5
2016/0360703	A1 *	12/2016	Leiston	.....	A01D 89/003
2018/0317390	A1 *	11/2018	Schiferl	.....	A01D 57/28

\* cited by examiner

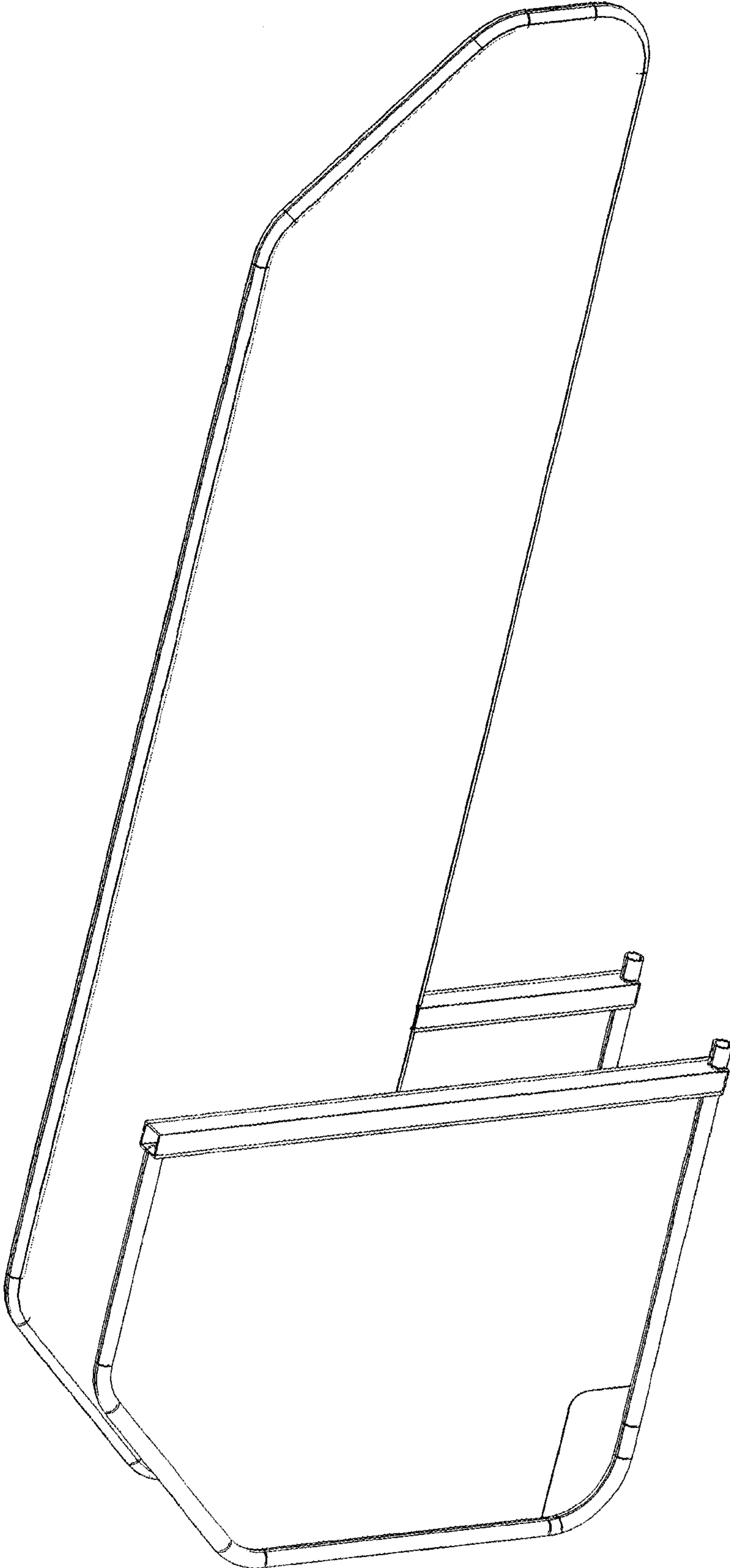


FIG. 1

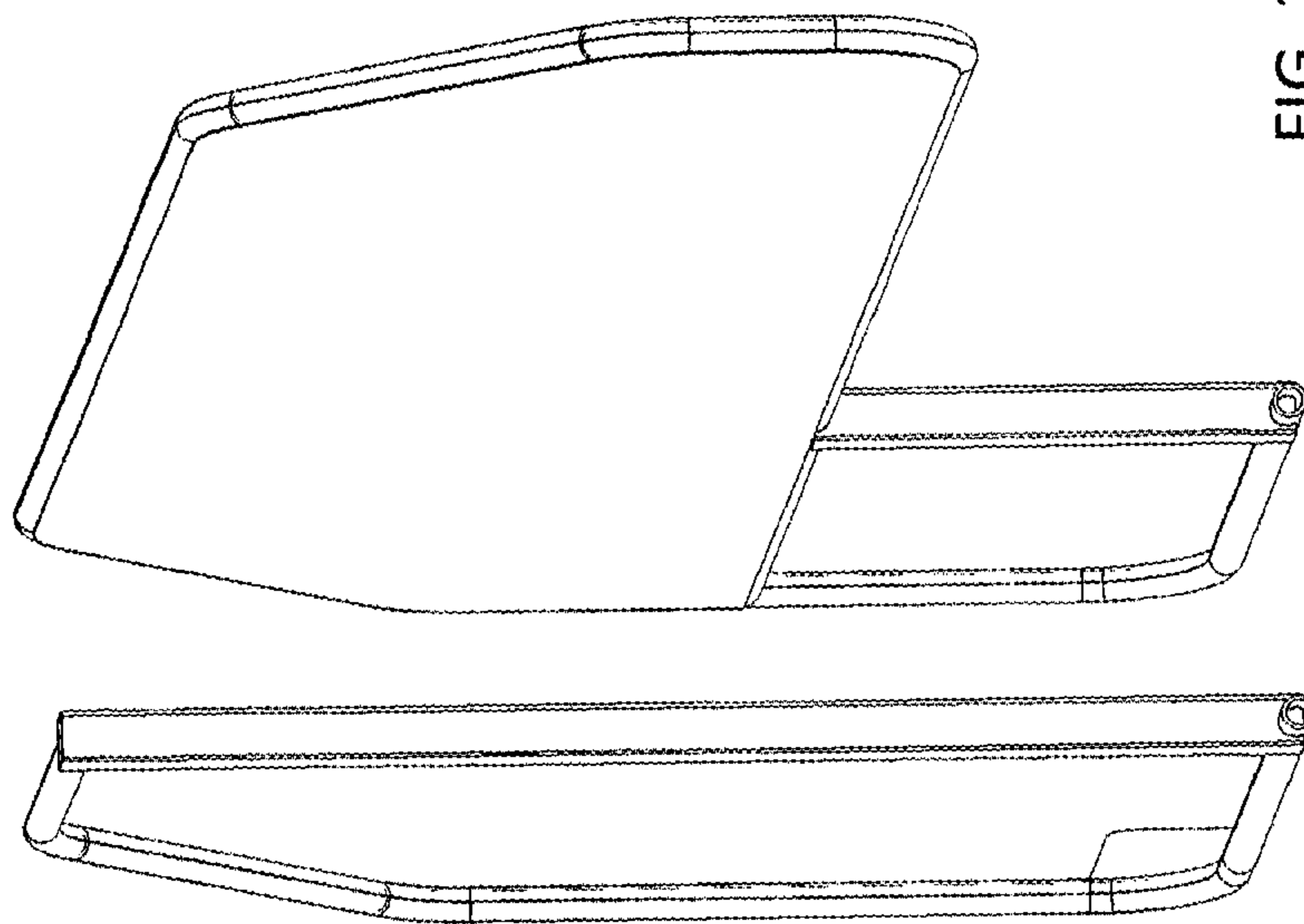


FIG. 2

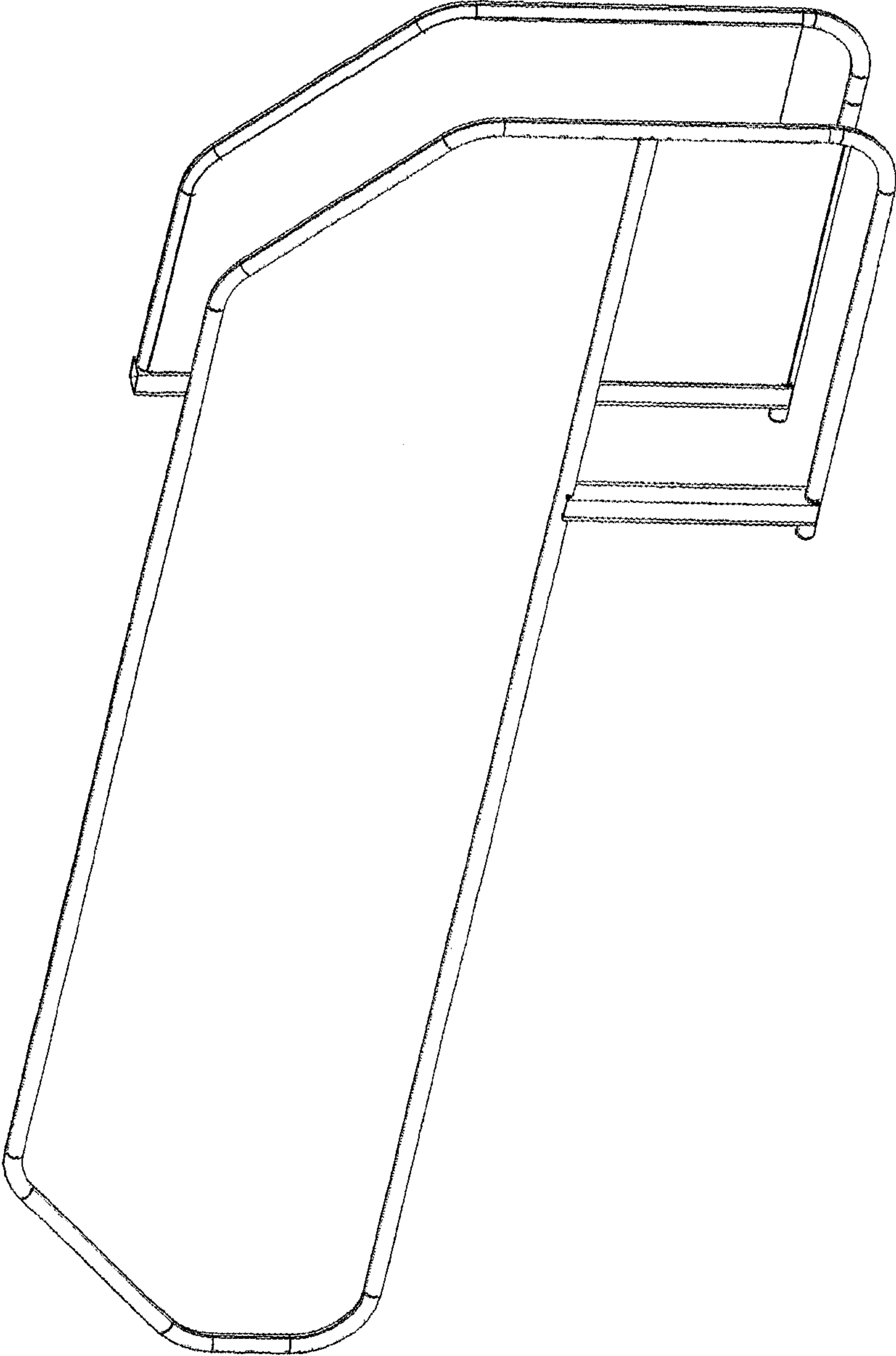


FIG. 3



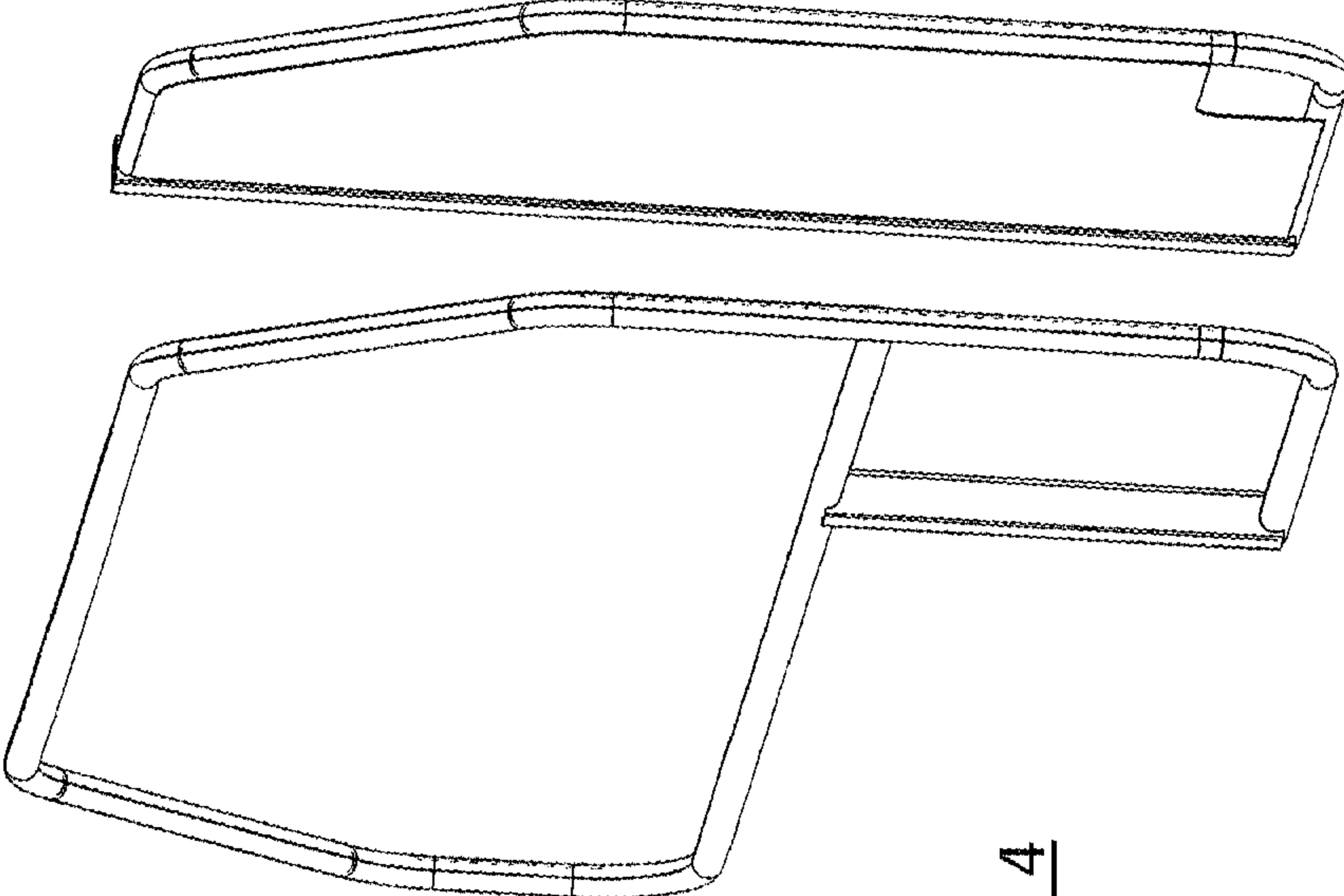


FIG. 4

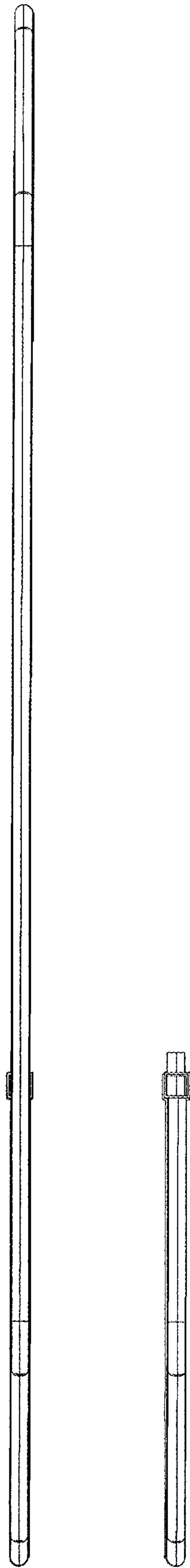


FIG. 5

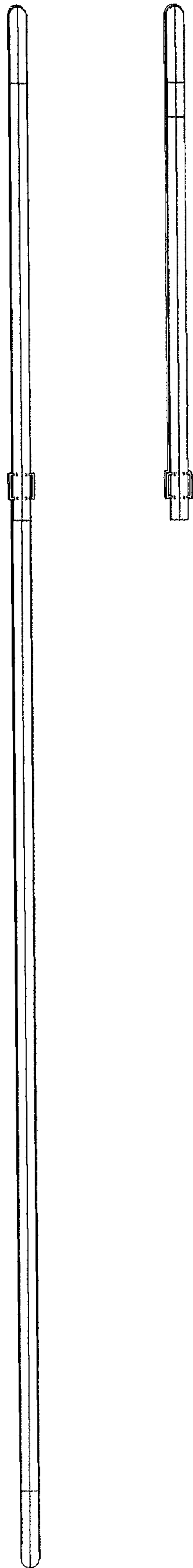


FIG. 6



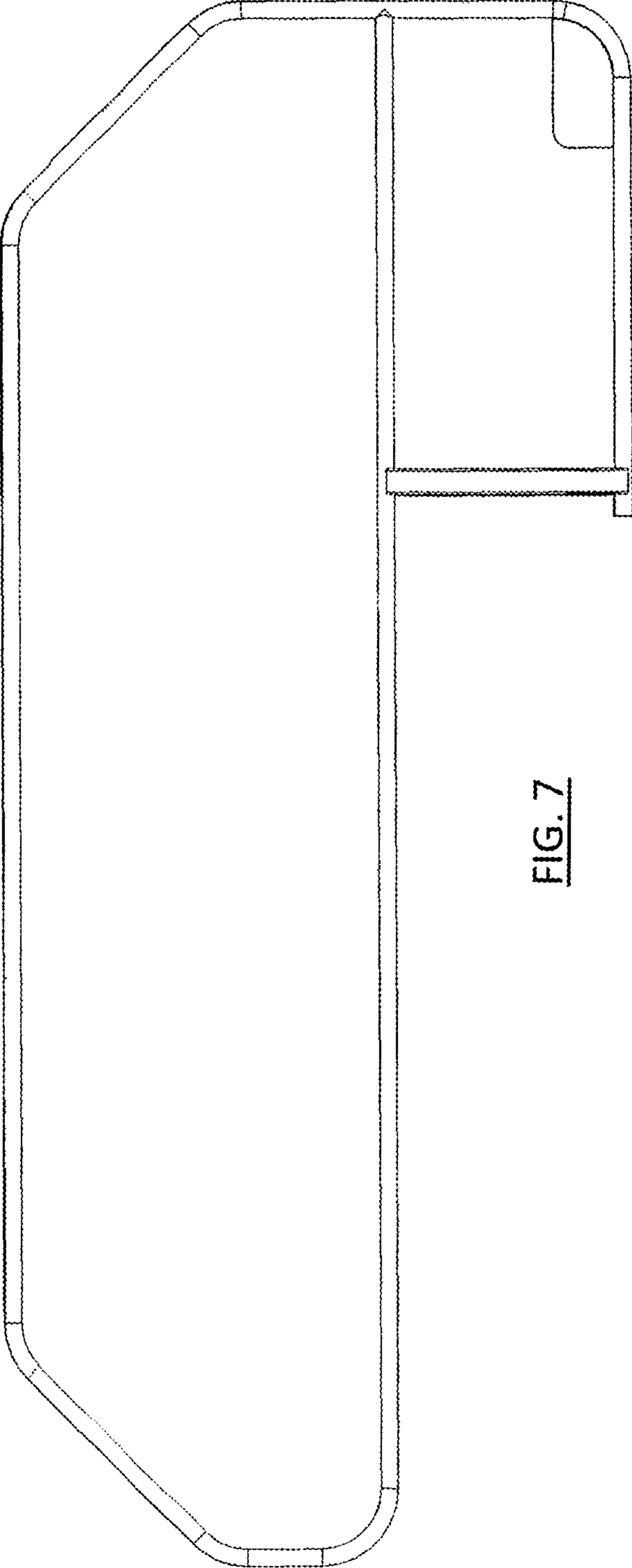


FIG. 7

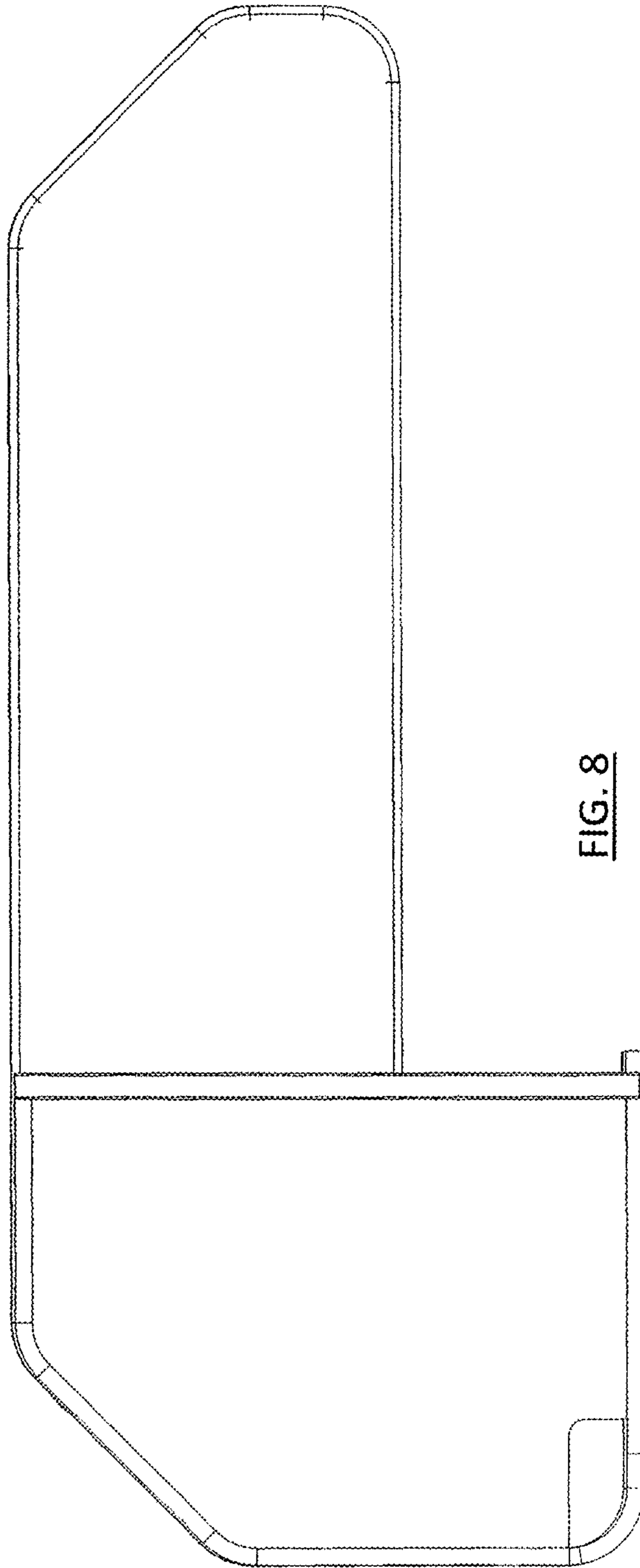


FIG. 8

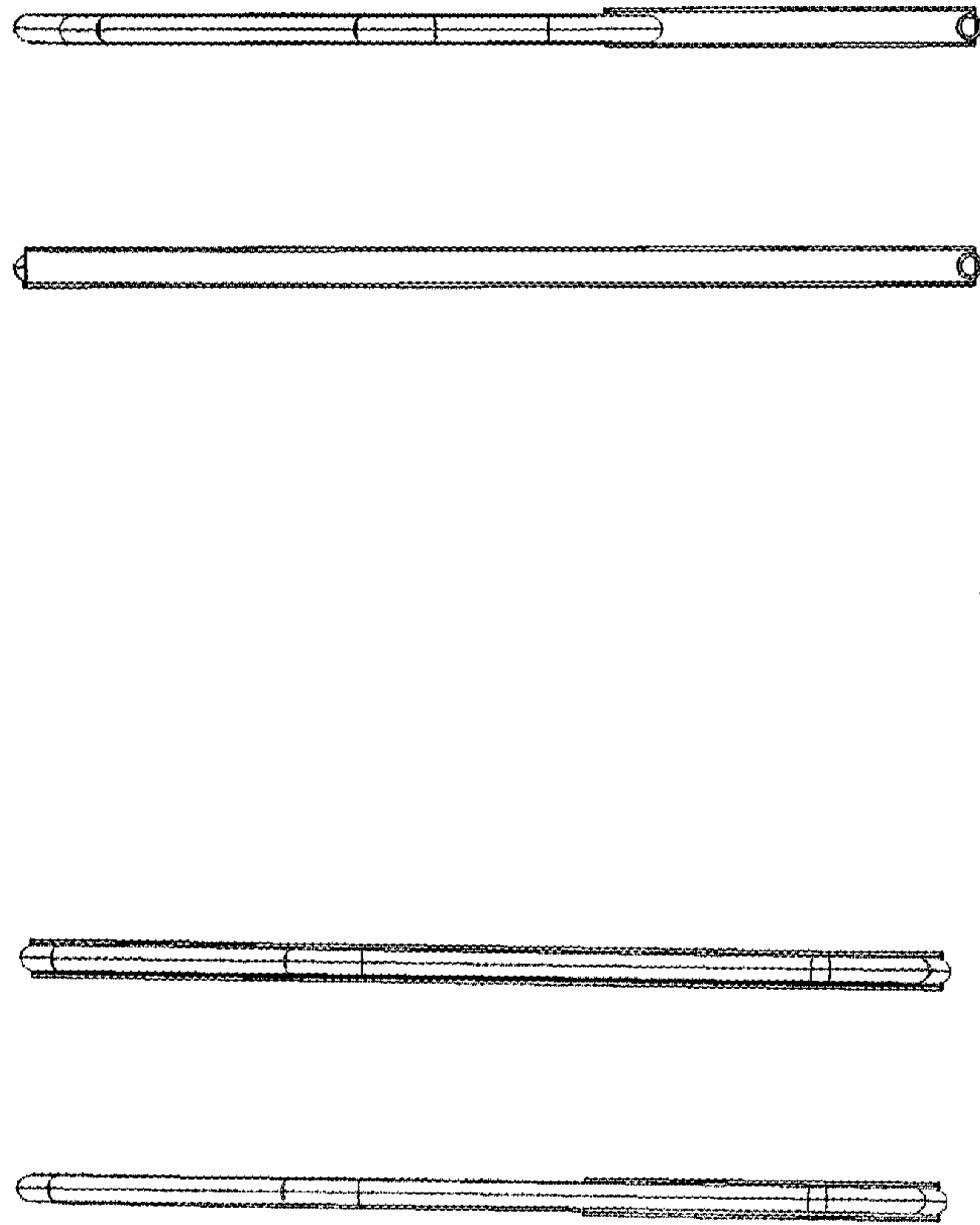


FIG. 10

FIG. 9

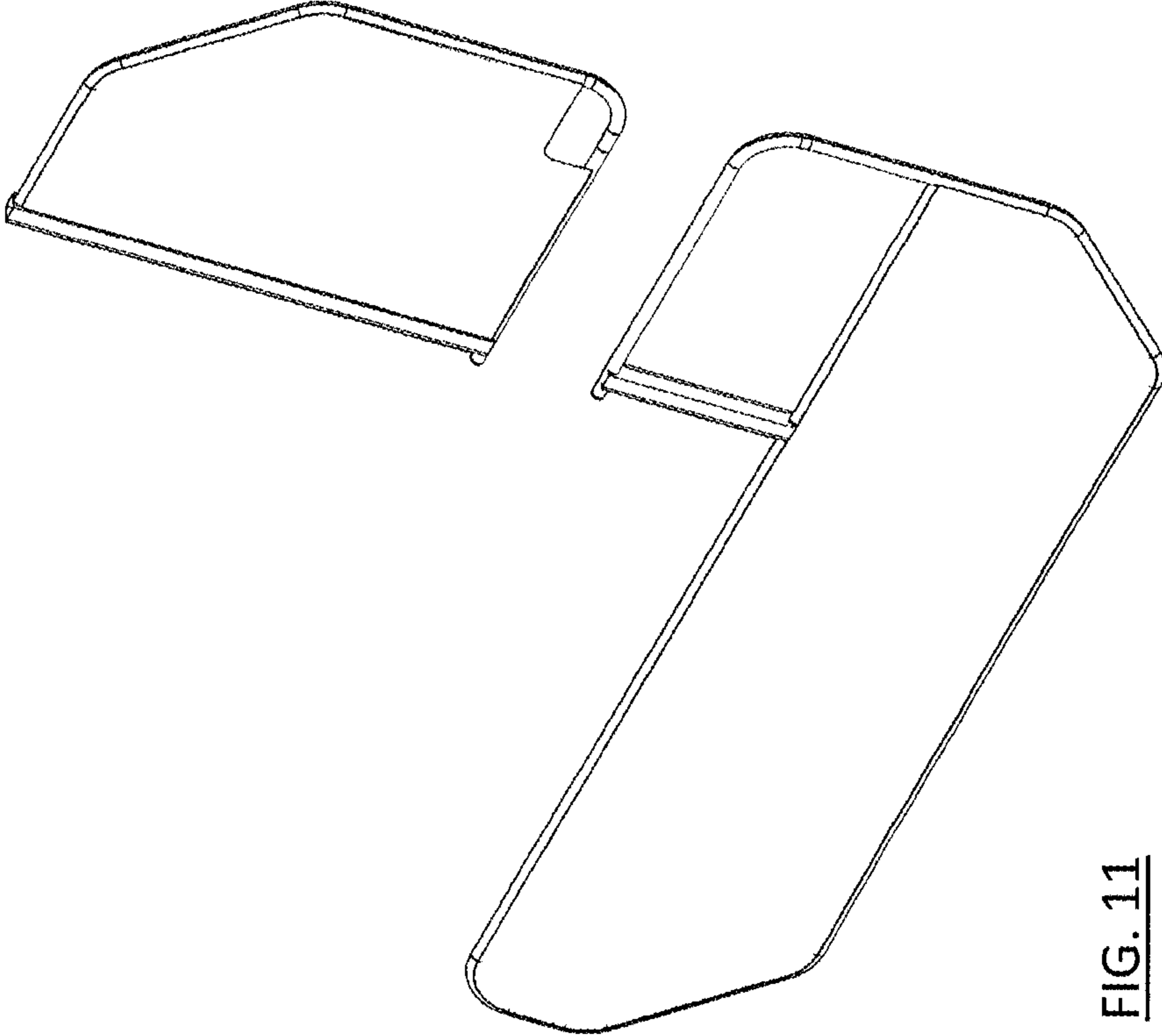


FIG. 11

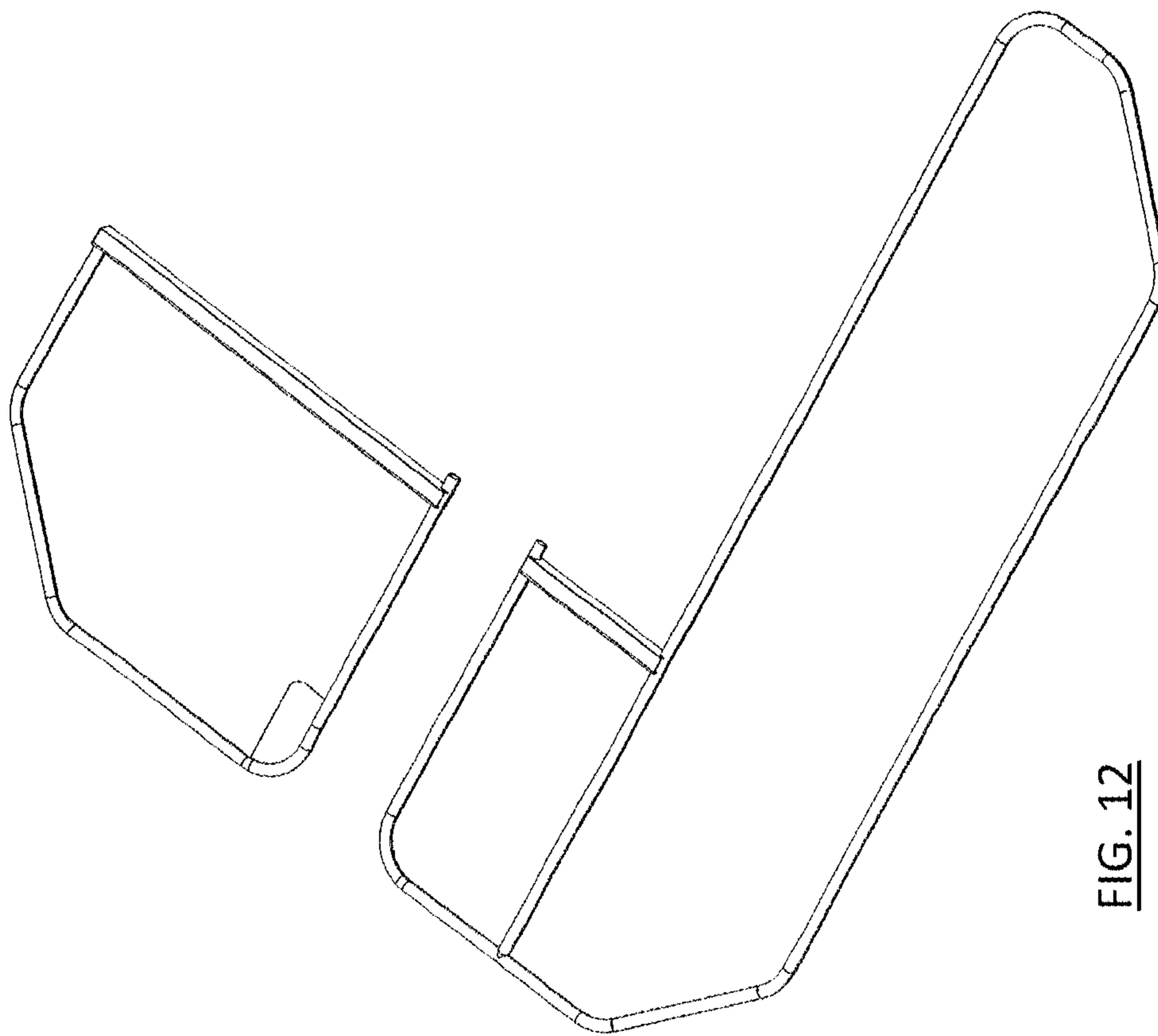


FIG. 12

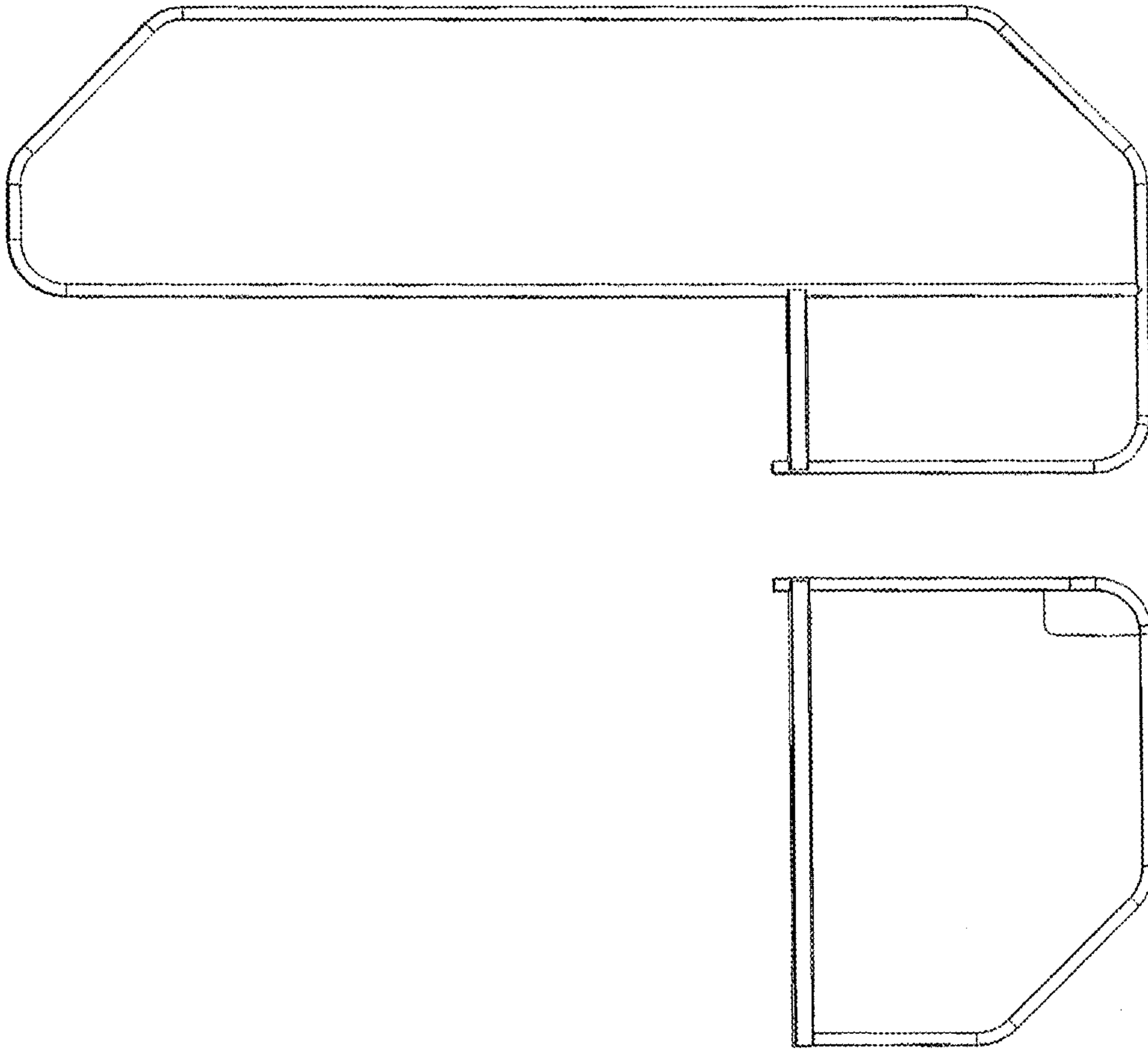


FIG. 13

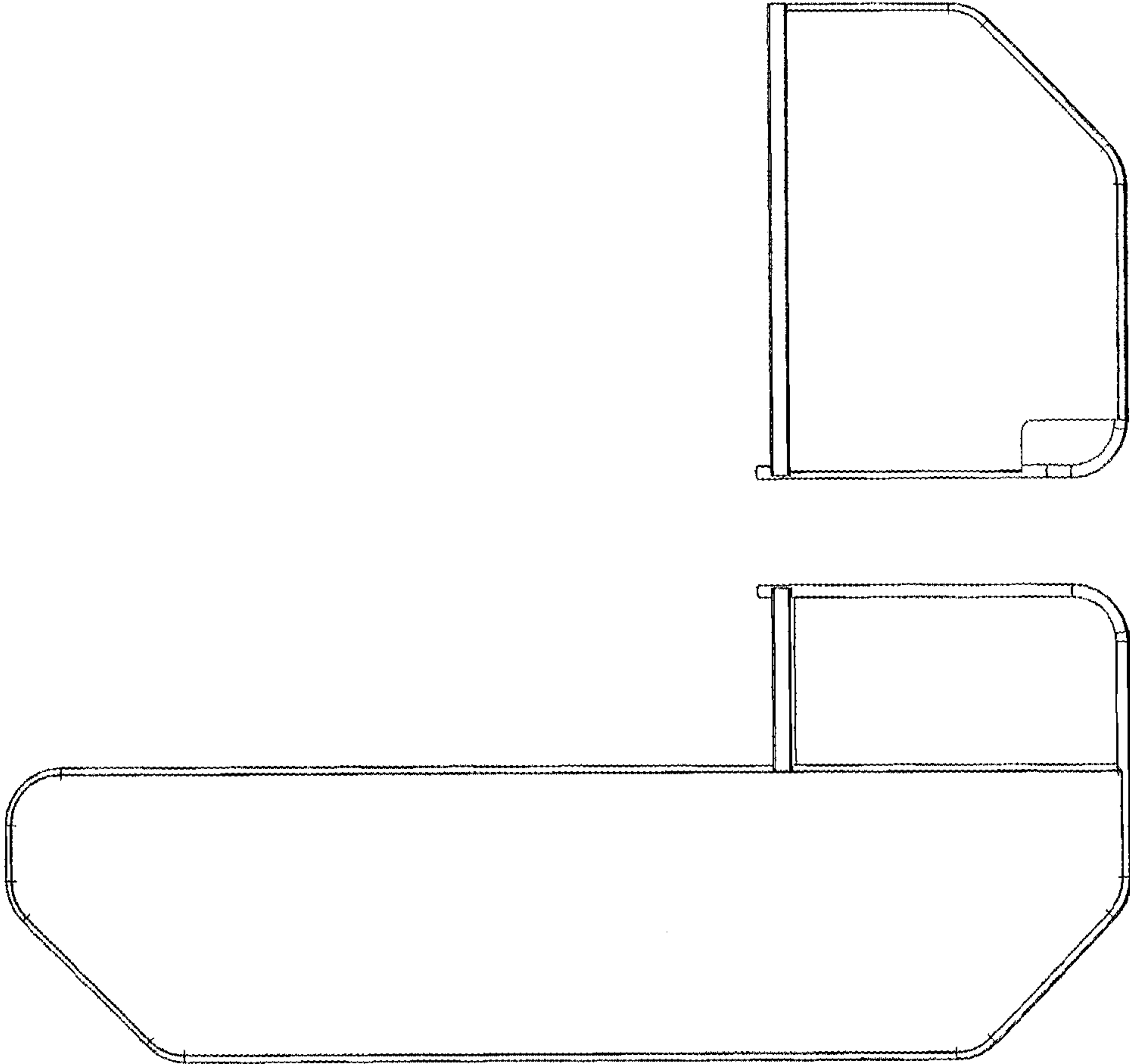


FIG. 14





FIG. 15



FIG. 16

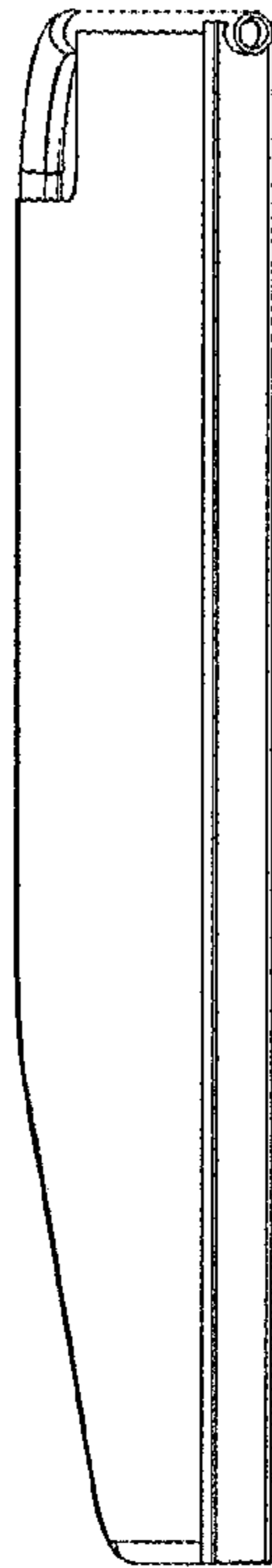
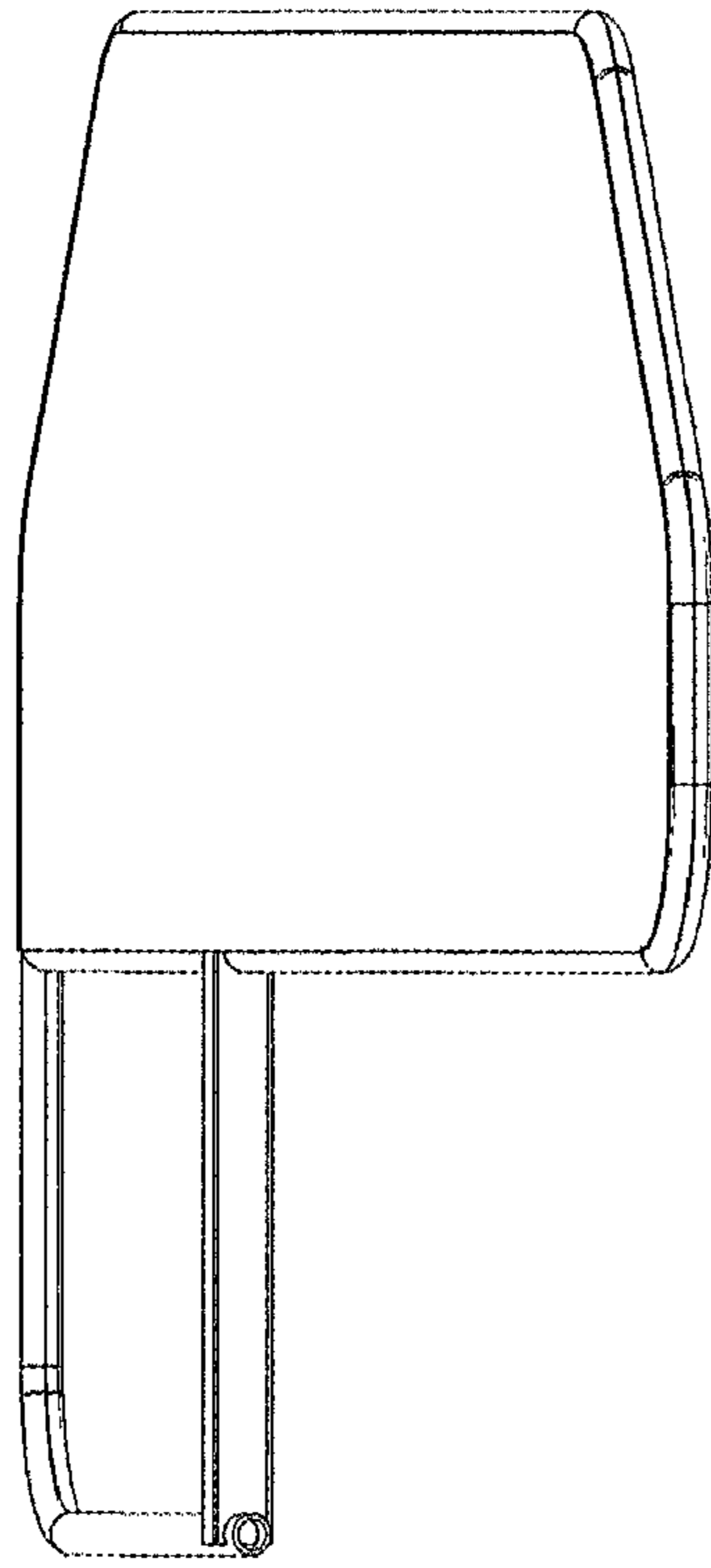


FIG. 17



FIG. 18



FIG. 19

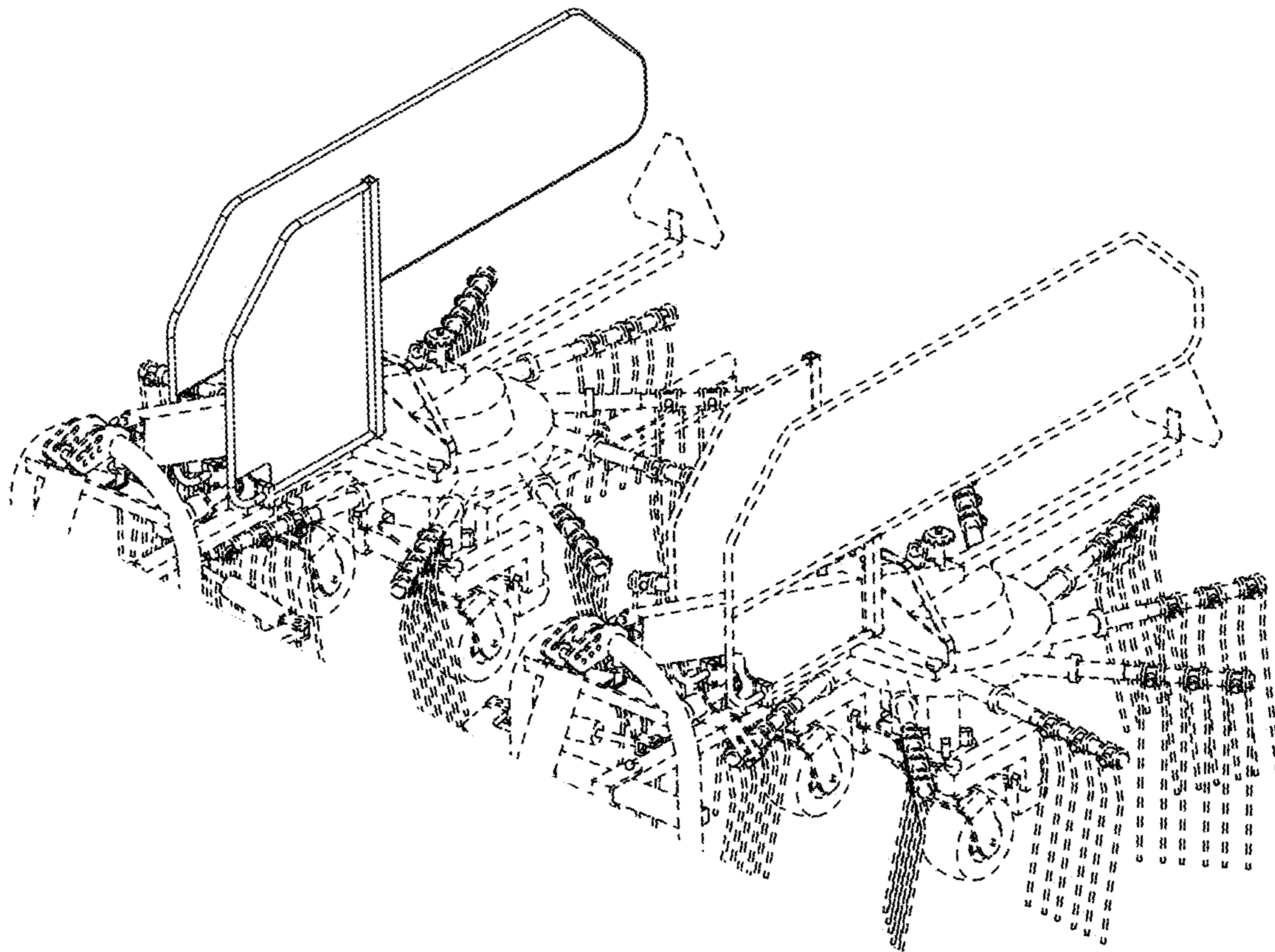


FIG. 20

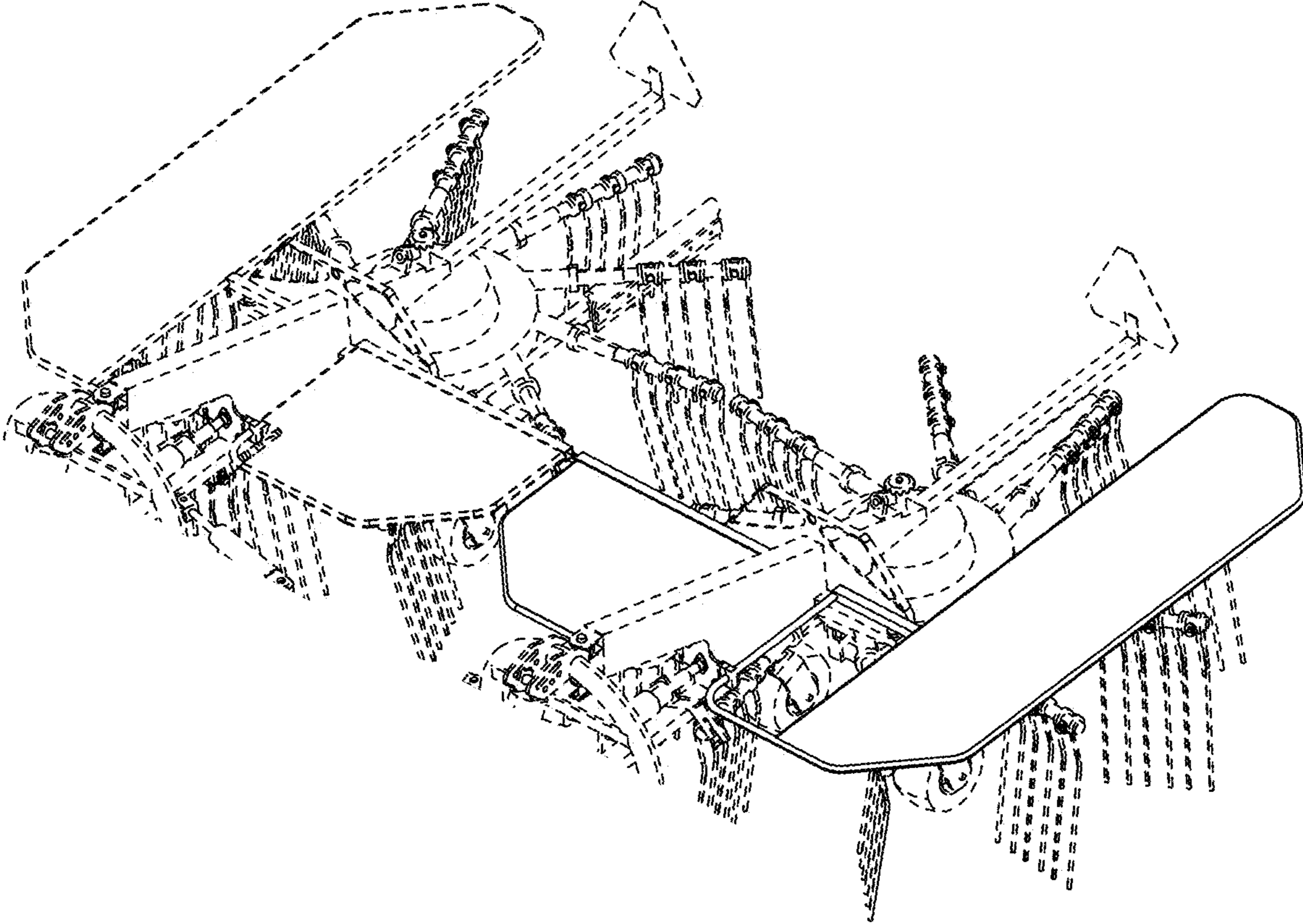


FIG. 21