



US00D919671S

(12) **United States Design Patent** (10) **Patent No.:** **US D919,671 S**
Donati et al. (45) **Date of Patent:** **** May 18, 2021**

(54) **LAWN MOWER**
(71) Applicant: **Ariens Company**, Brillion, WI (US)
(72) Inventors: **Andrew Donati**, Appleton, WI (US);
Grant Gierosky, Green Bay, WI (US);
Trenton J. Meyer, Wrightstown, WI
(US); **Cory Petersen**, Green Bay, WI
(US)
(73) Assignee: **ARIENS COMPANY**, Brillion, WI
(US)

D536,709 S 2/2007 Kullhem et al.
D560,690 S * 1/2008 Higashikawa D15/10
D674,816 S * 1/2013 Higashikawa D15/15
D681,685 S * 5/2013 Higashikawa D15/15
D707,260 S 6/2014 Hippoliti
D707,721 S 6/2014 Hippoliti
D789,423 S * 6/2017 Shi D15/15
D866,609 S * 11/2019 Long D15/15
D866,610 S * 11/2019 Long D15/15
D866,611 S * 11/2019 Long D15/15
2019/0075724 A1 3/2019 Becke et al.
2019/0160972 A1 5/2019 Zeiler et al.
2019/0291779 A1 9/2019 Zeiler et al.
2020/0315095 A1 10/2020 Liu et al.

(**) Term: **15 Years**

FOREIGN PATENT DOCUMENTS

(21) Appl. No.: **29/709,203**

WO 2019/129045 A1 7/2019
WO 2019/129129 A1 7/2019
WO 2020/019687 A1 1/2020

(22) Filed: **Oct. 11, 2019**

* cited by examiner

(51) **LOC (13) Cl.** **15-03**

(52) **U.S. Cl.**
USPC **D15/15**

(58) **Field of Classification Search**
USPC D15/28, 22-26, 14-18, 31, 33; D12/181,
D12/184, 196; 296/198; 280/160, 847,
280/154, 854; 180/68.1, 900, 69.21,
180/69.22, 69.23, 69.24, 69.25, 89.1,
180/69.2, 89.12, 89.19, 273, 68.6;
56/16.1, 13.3, 15.9, 16.7, 17.4, 202, 255,
56/320.1, 13.4, 15.8, 294, 320.2
CPC .. B62D 25/161; B62D 25/168; B62D 25/182;
B62D 25/18; B62D 25/16
See application file for complete search history.

Primary Examiner — Mark A Goodwin
(74) *Attorney, Agent, or Firm* — Michael Best &
Friedrich LLP

(57) **CLAIM**

We claim the ornamental design for a lawn mower, as shown
and described.

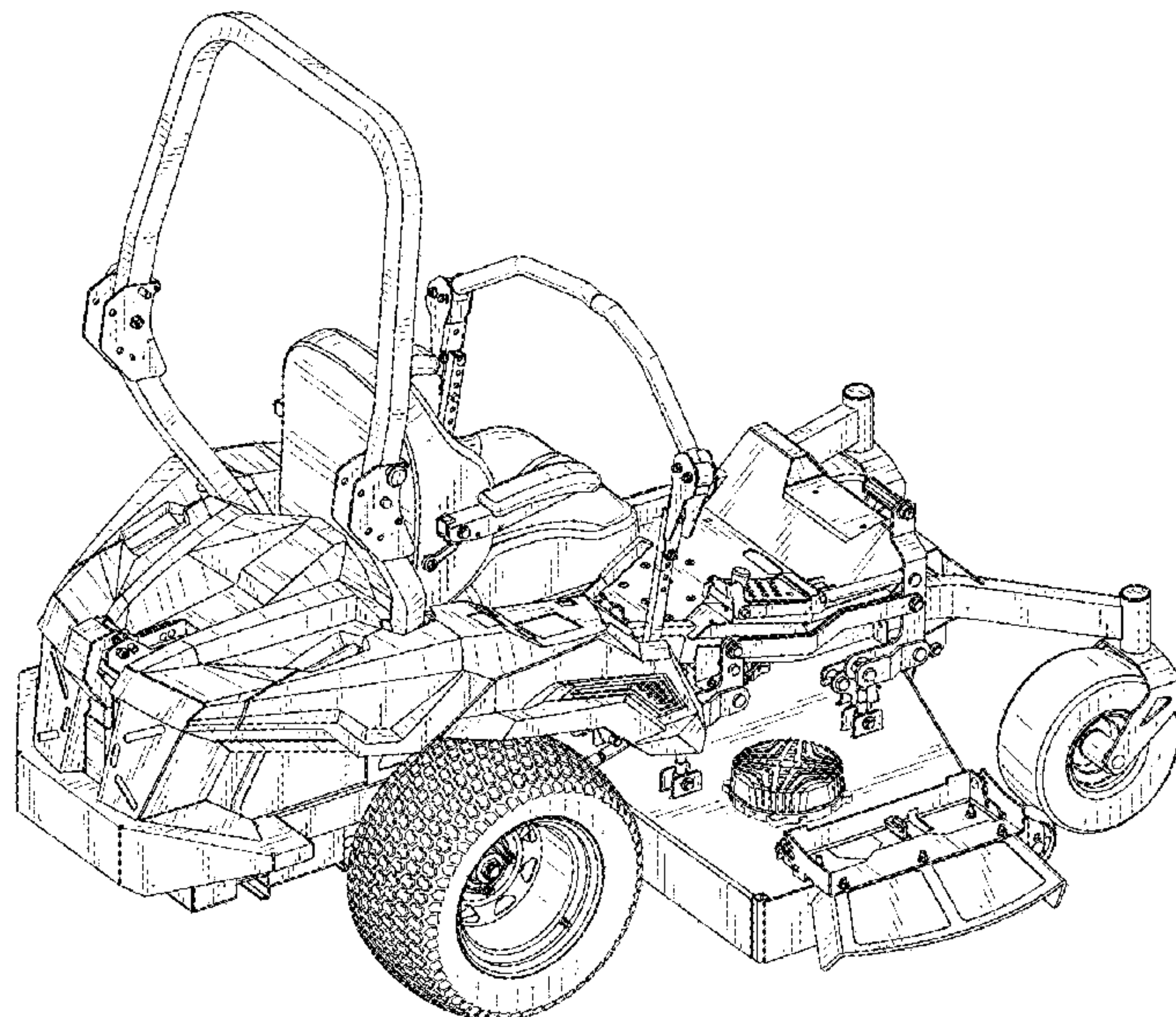
DESCRIPTION

FIG. 1 is a top rear perspective view of a lawn mower
showing our new design.
FIG. 2 is a first side view of the lawn mower of FIG. 1.
FIG. 3 is a second side view of the lawn mower of FIG. 1.
FIG. 4 is a front view of the lawn mower of FIG. 1.
FIG. 5 is a rear view of the lawn mower of FIG. 1.
FIG. 6 is a top view of the lawn mower of FIG. 1; and,
FIG. 7 is a bottom view of the lawn mower of FIG. 1.
Portions of the lawn mower shown in broken lines form no
part of the claimed design.

(56) **References Cited**
U.S. PATENT DOCUMENTS

D311,742 S 10/1990 Splittstoesser
D359,740 S 6/1995 Crosby et al.
D428,023 S 7/2000 Surridge et al.
D450,330 S * 11/2001 Katoh D15/15
D495,718 S * 9/2004 Higashikawa D15/15

1 Claim, 7 Drawing Sheets



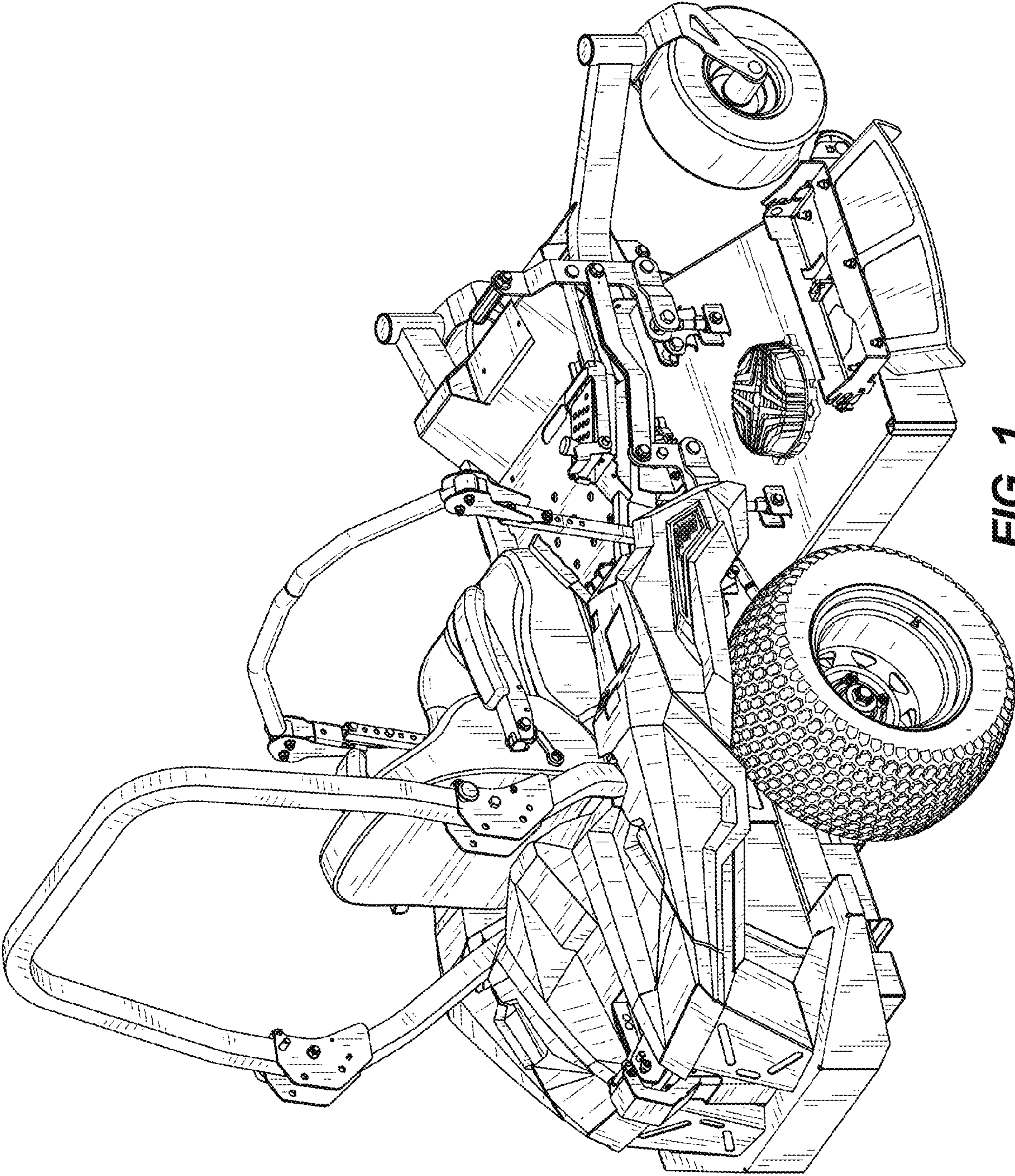


FIG. 1

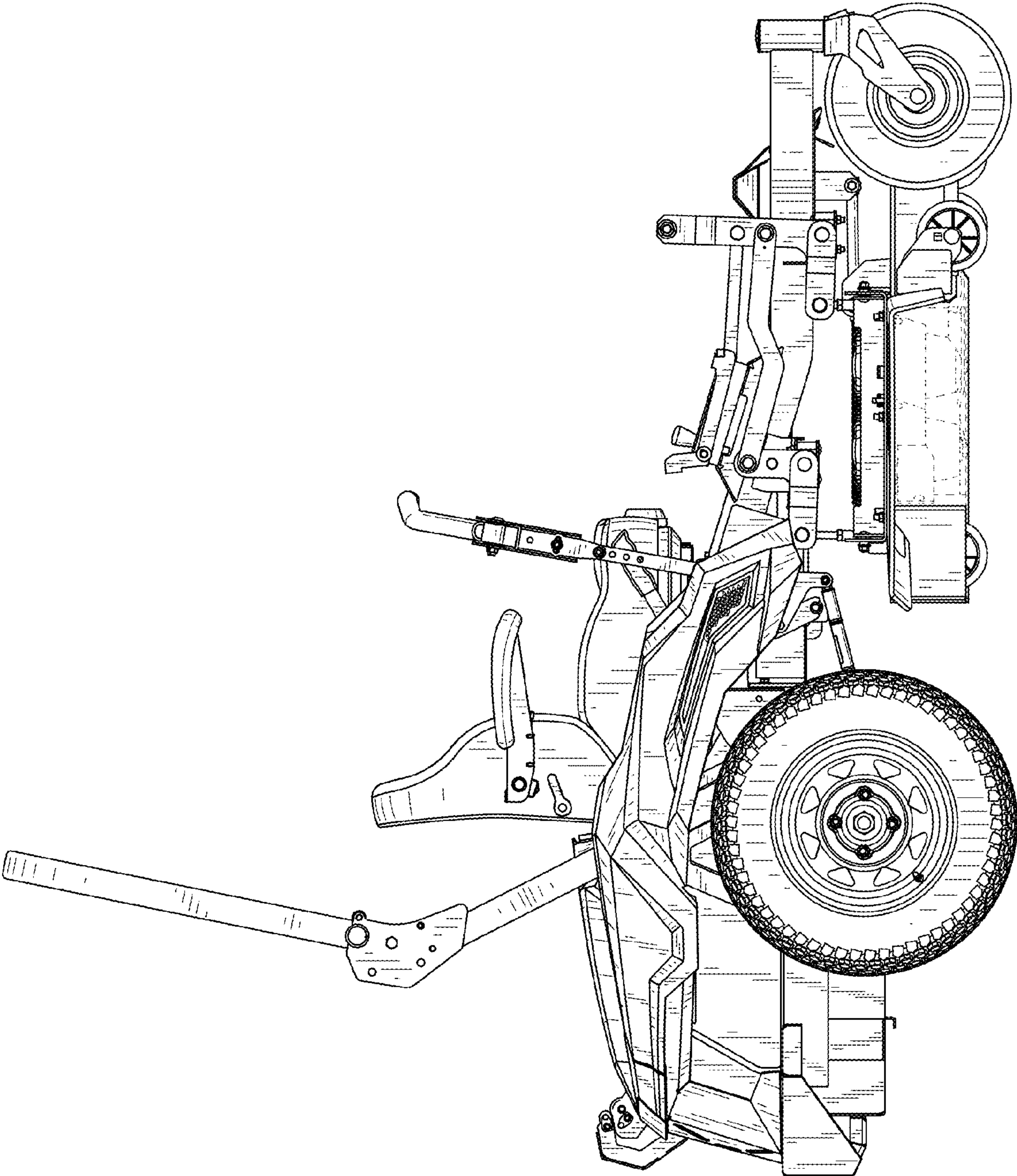


FIG. 2

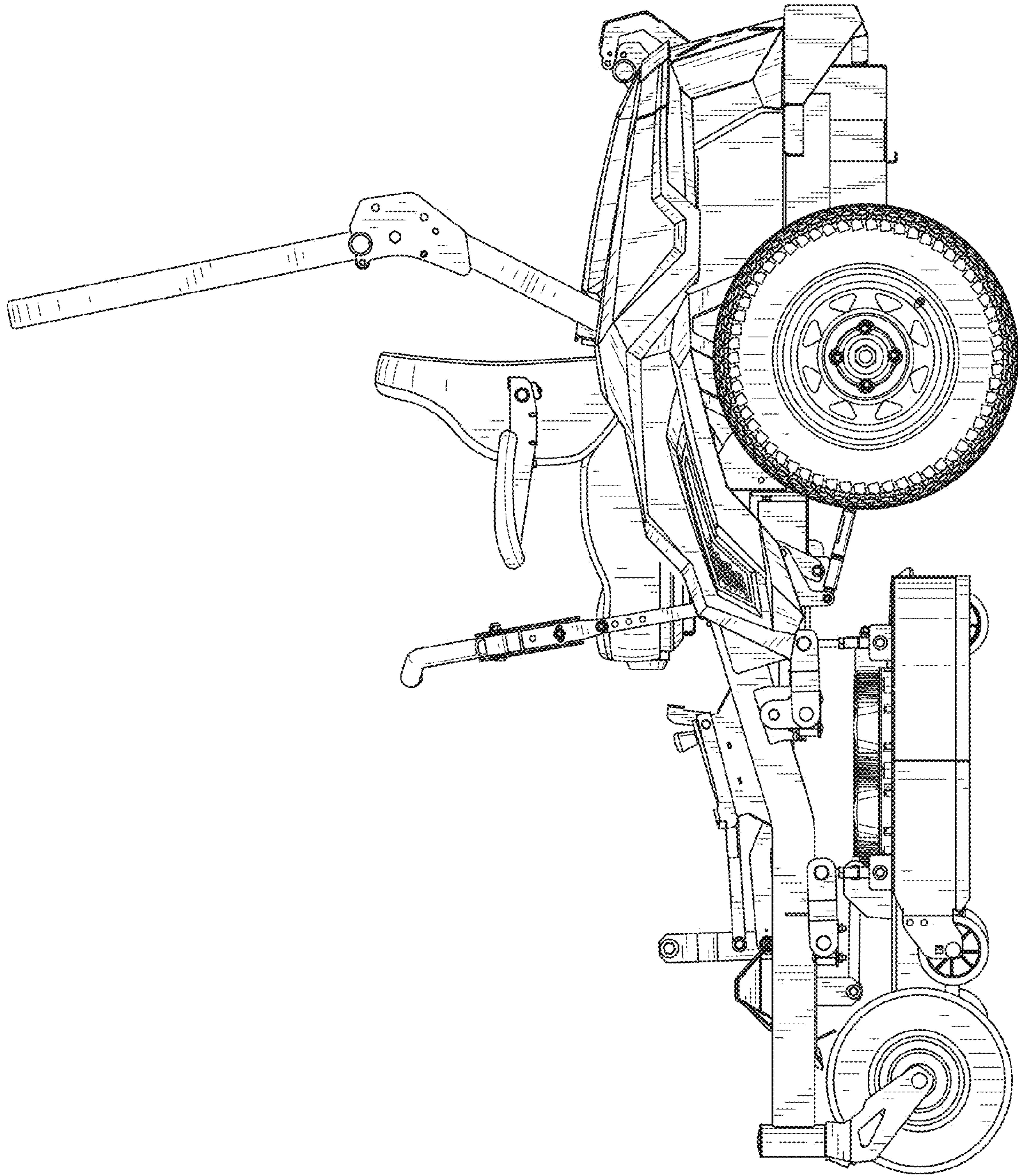


FIG. 3

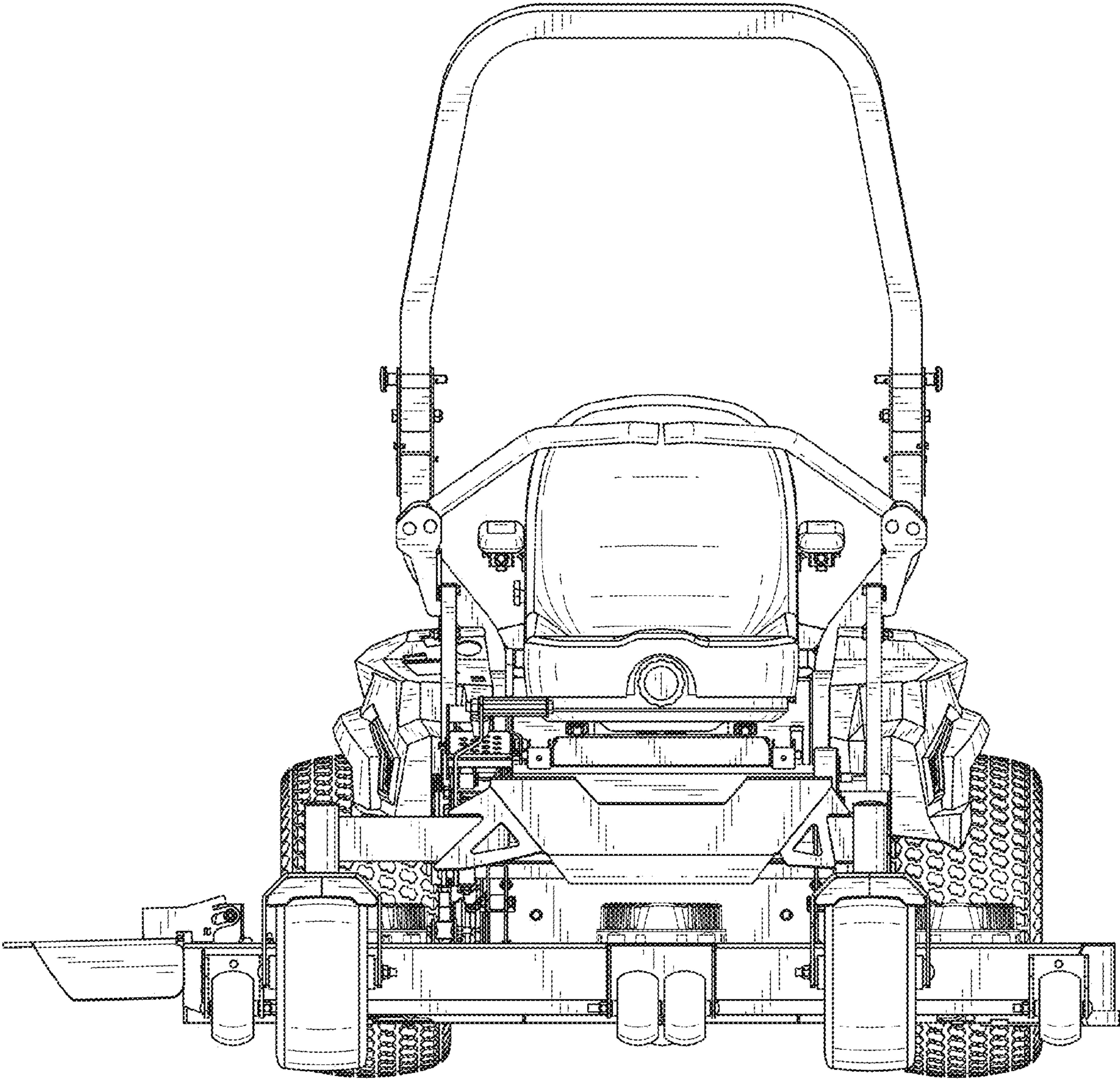


FIG. 4

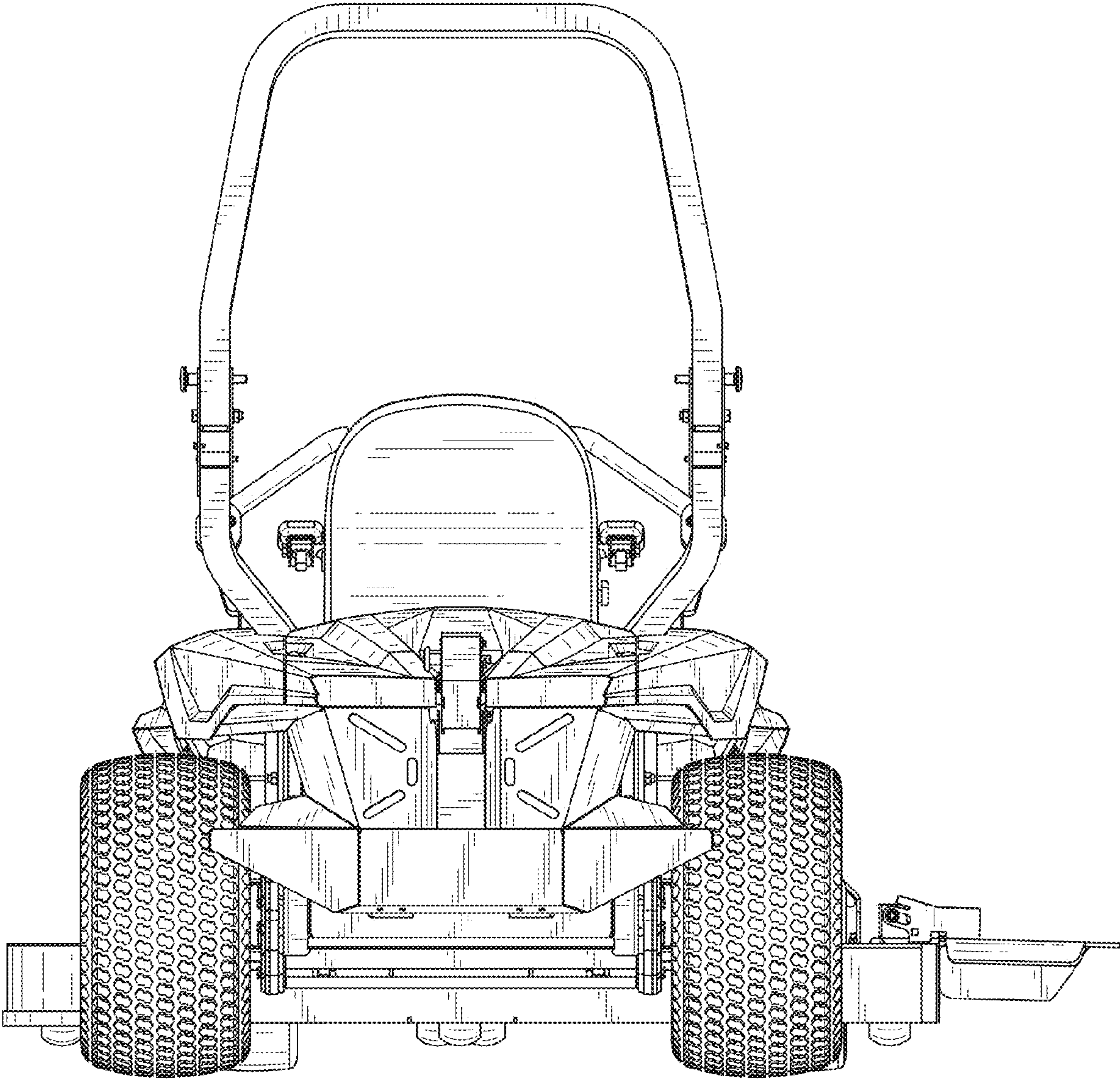


FIG. 5

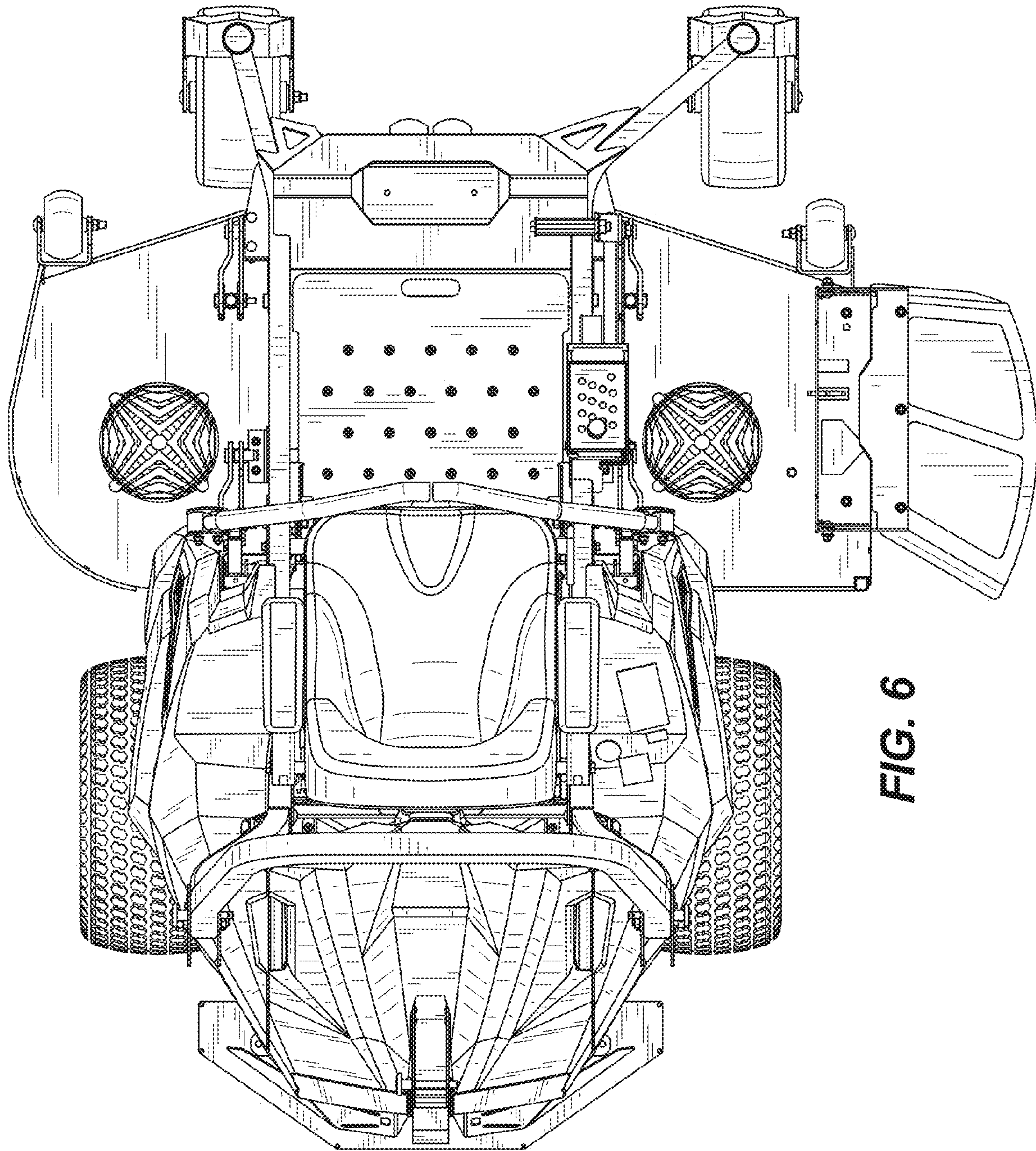


FIG. 6

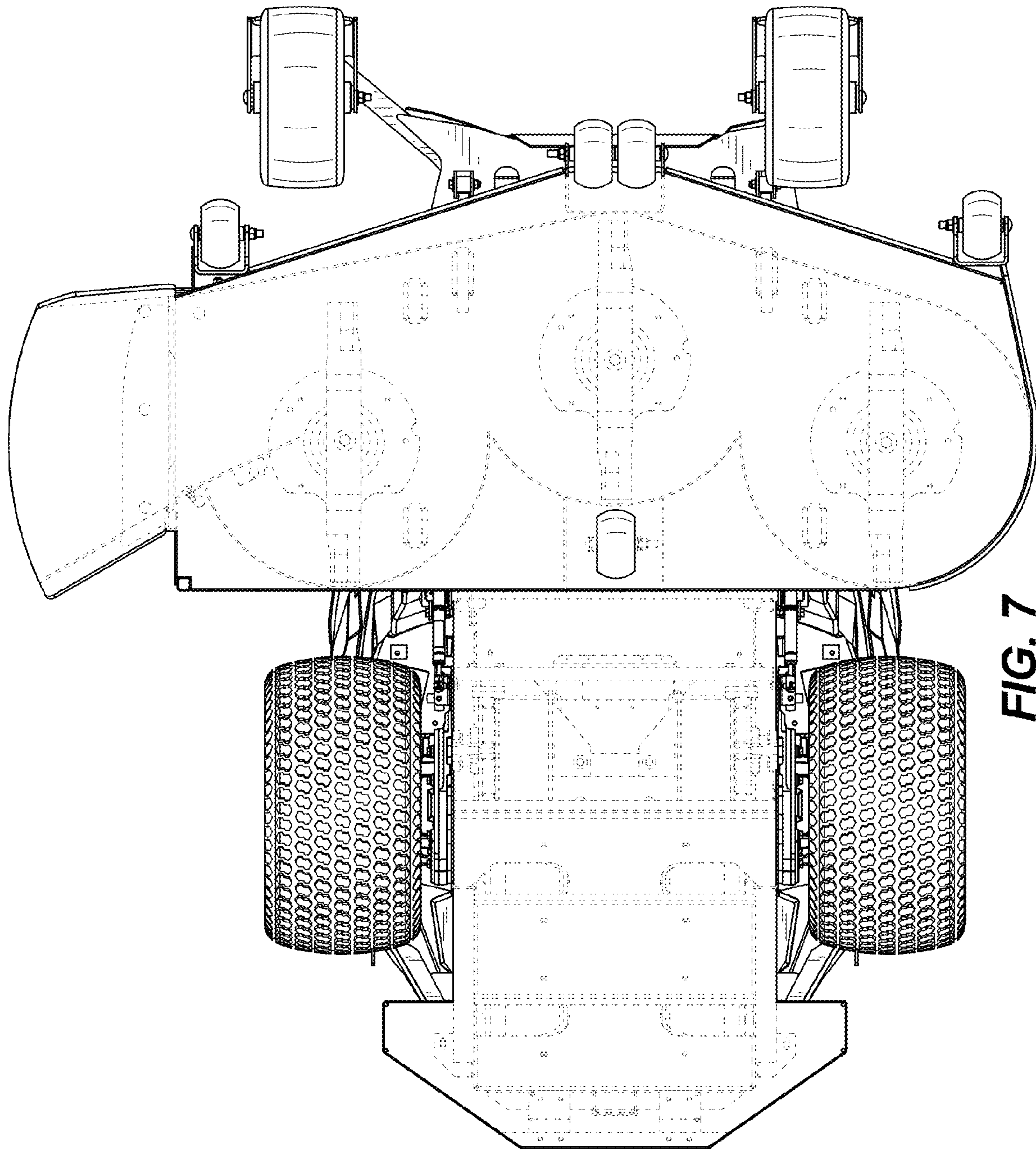


FIG. 7