



US00D919668S

(12) **United States Design Patent** (10) **Patent No.:** **US D919,668 S**
Saich (45) **Date of Patent:** **** May 18, 2021**

(54) **PUMP PART**

(71) Applicant: **Aspen Pumps Limited**, Hailsham (GB)

(72) Inventor: **Claire Saich**, Hailsham (GB)

(73) Assignee: **ASPEN PUMPS LIMITED**, Hailsham (GB)

(**) Term: **15 Years**

(21) Appl. No.: **29/645,968**

(22) Filed: **Apr. 30, 2018**

(30) **Foreign Application Priority Data**

Nov. 10, 2017 (EM) 004501872-0001

(51) **LOC (13) Cl.** **15-02**

(52) **U.S. Cl.**
USPC **D15/7**

(58) **Field of Classification Search**
USPC D15/5-9
CPC F25B 41/062; F25B 2600/22513; F25B
2341/065; F24F 13/222
See application file for complete search history.

(56) **References Cited**

U.S. PATENT DOCUMENTS

D487,277 S * 3/2004 Leach D15/7
6,817,194 B1 * 11/2004 Leach F24F 13/222
62/150
D771,718 S * 11/2016 Liao D15/7
D842,905 S * 3/2019 Lin D15/7

D844,671 S * 4/2019 Walmsley D15/7
2011/0272043 A1 * 11/2011 Hollingsworth F24F 13/222
137/386
2019/0337027 A1 * 11/2019 Raynes, II B08B 9/0321

* cited by examiner

Primary Examiner — Ania Aman

(74) *Attorney, Agent, or Firm* — Workman Nydegger

(57) **CLAIM**

The ornamental design for a pump part, as shown and described.

DESCRIPTION

FIG. 1 is a top, right front perspective view of a pump part showing my new design;

FIG. 2 is an elevated front view thereof;

FIG. 3 is an elevated rear view thereof

FIG. 4 is a bottom plan view thereof;

FIG. 5 is a top plan view thereof

FIG. 6 is an elevated left side view thereof;

FIG. 7 is an elevated right side view thereof;

FIG. 8 is a close-up, top, right front perspective view of a pump part showing my new design;

FIG. 9 is a top plan view thereof;

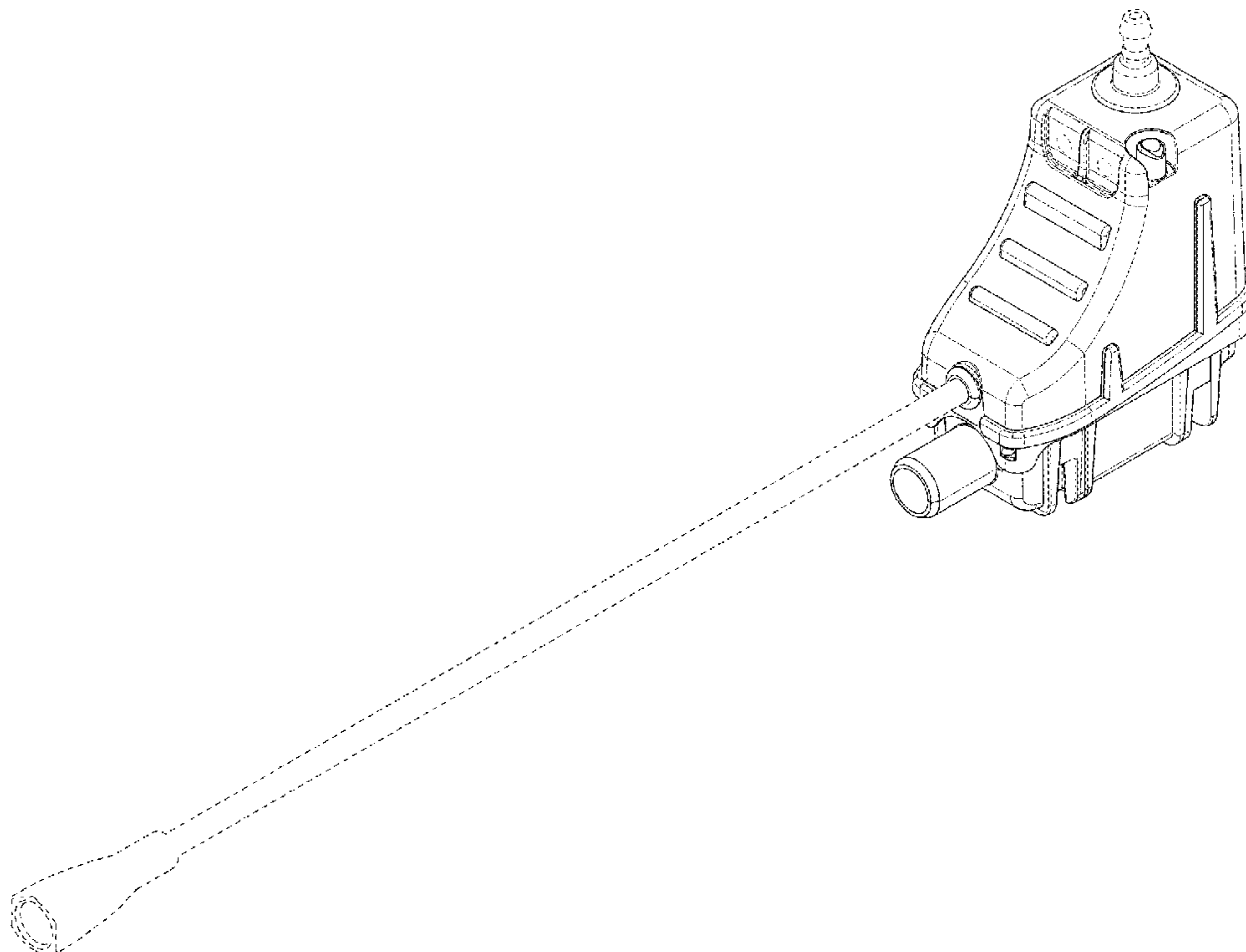
FIG. 10 is a bottom plan view thereof;

FIG. 11 is an elevated left side view thereof; and,

FIG. 12 is an elevated right side view thereof.

The dotted lines illustrate environmental subject matter only and form no part of the claimed design. Break lines in environmental subject matter are provided to enable close up views, and form no part of the claimed design. The space between break lines is unclaimed.

1 Claim, 12 Drawing Sheets



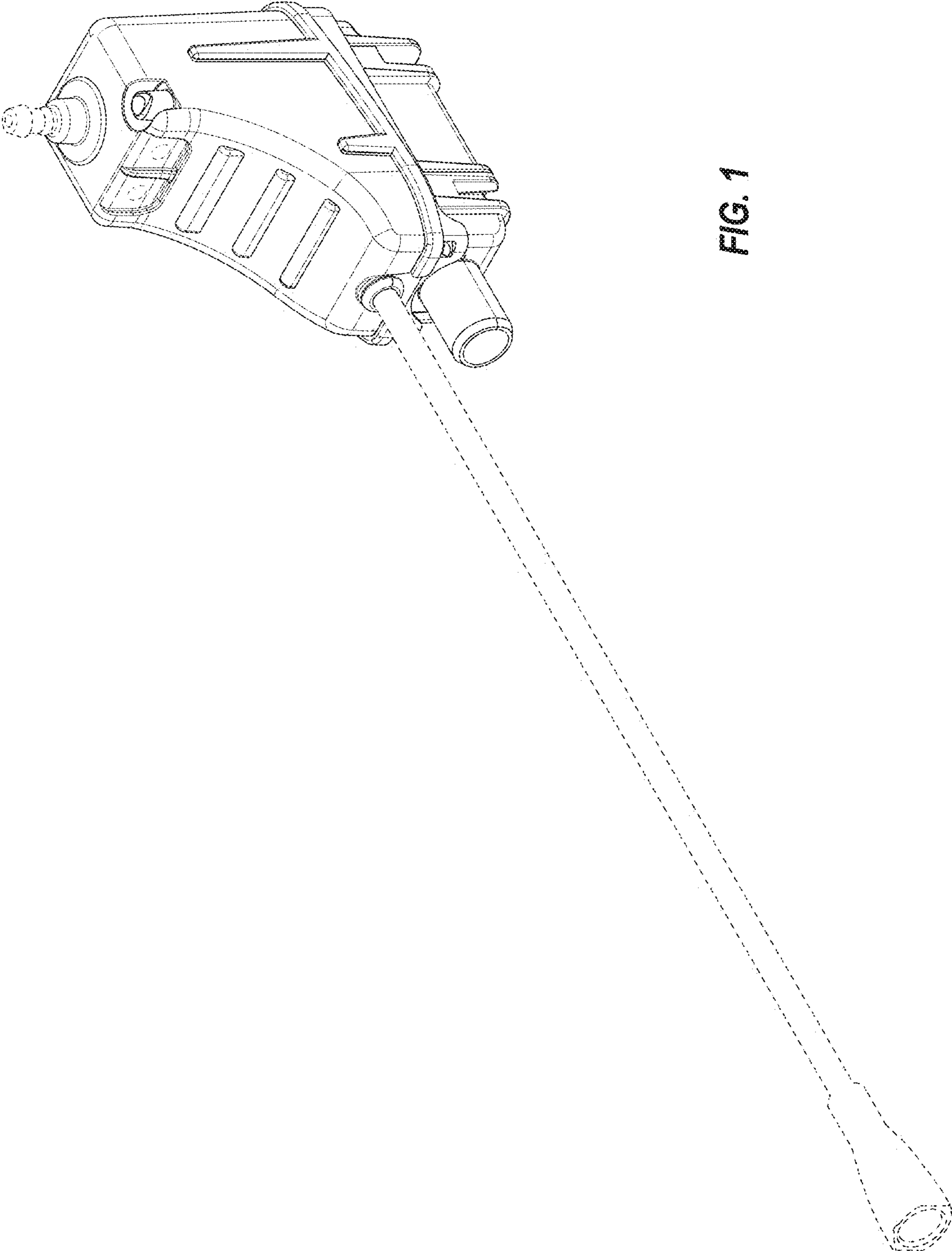


FIG. 1

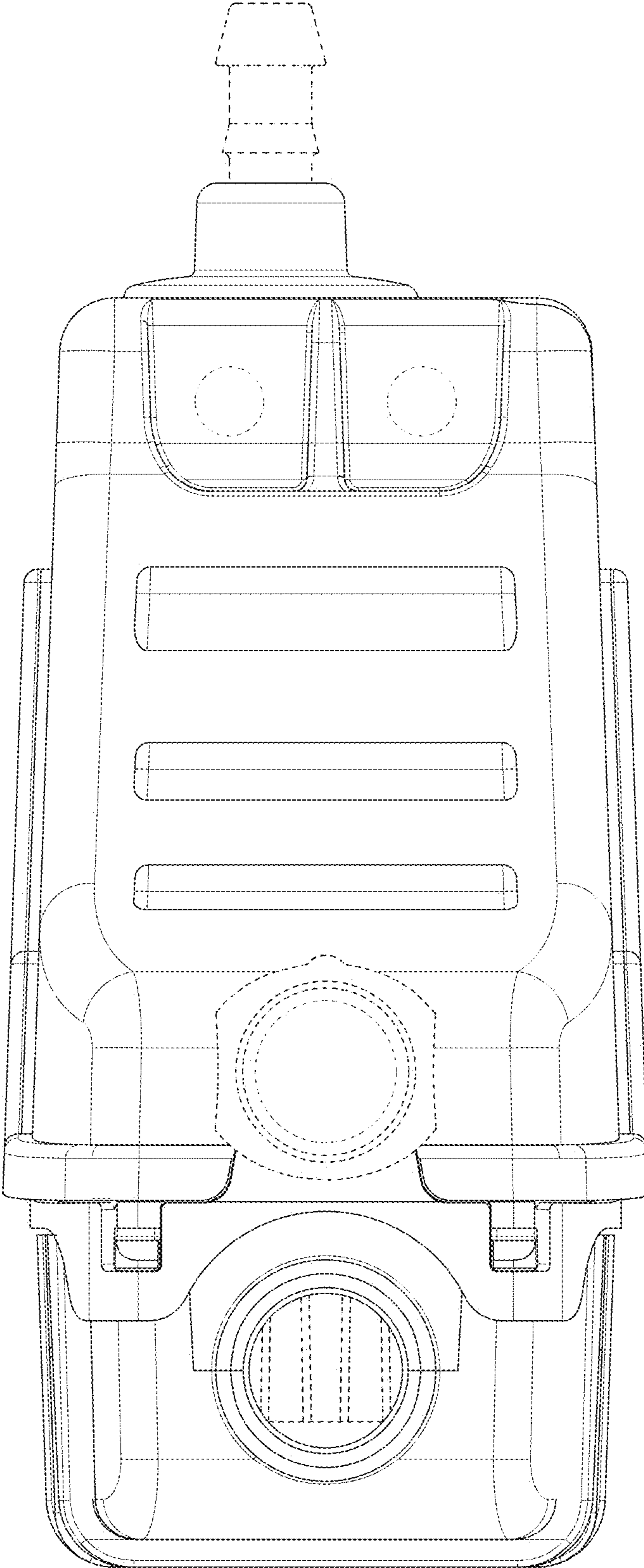


FIG. 2

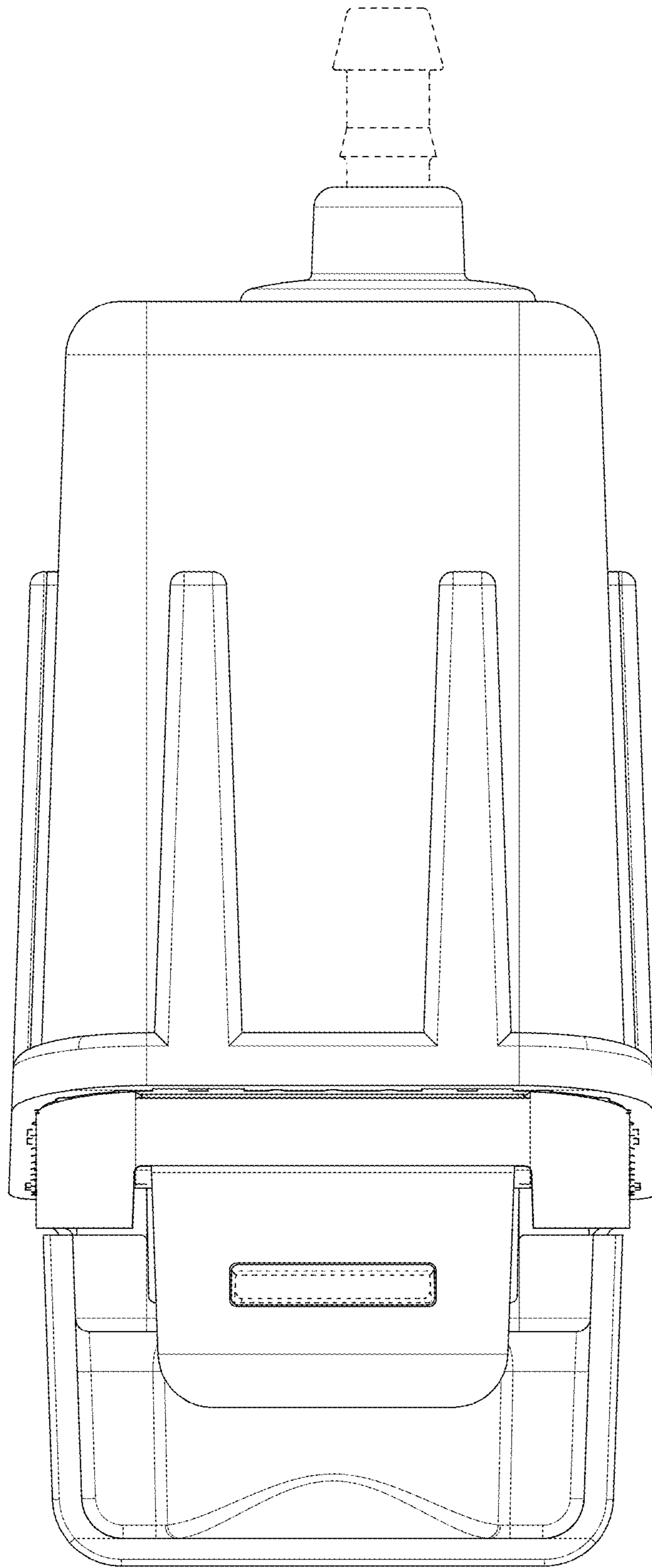


FIG. 3

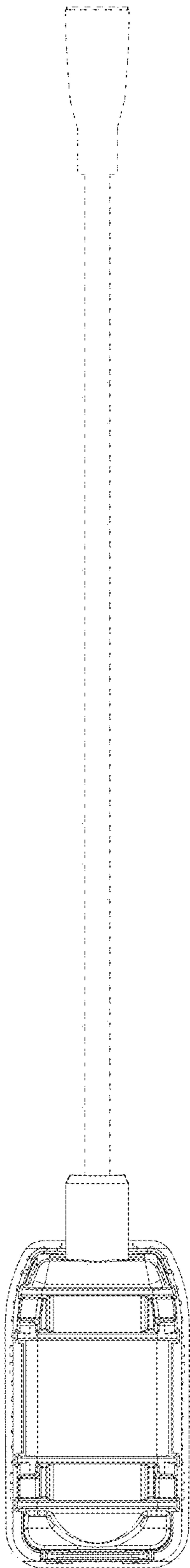


FIG. 4

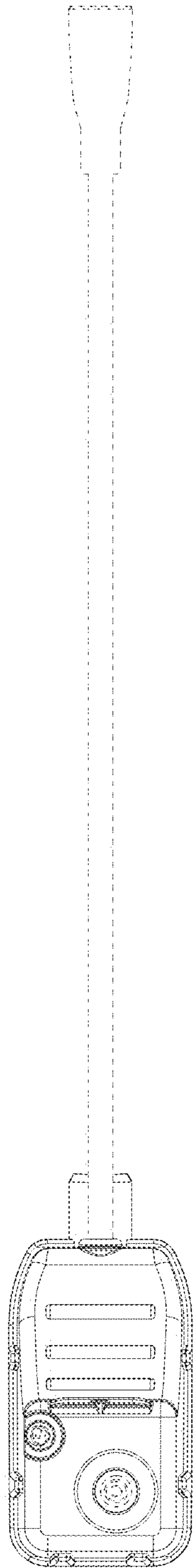


FIG. 5

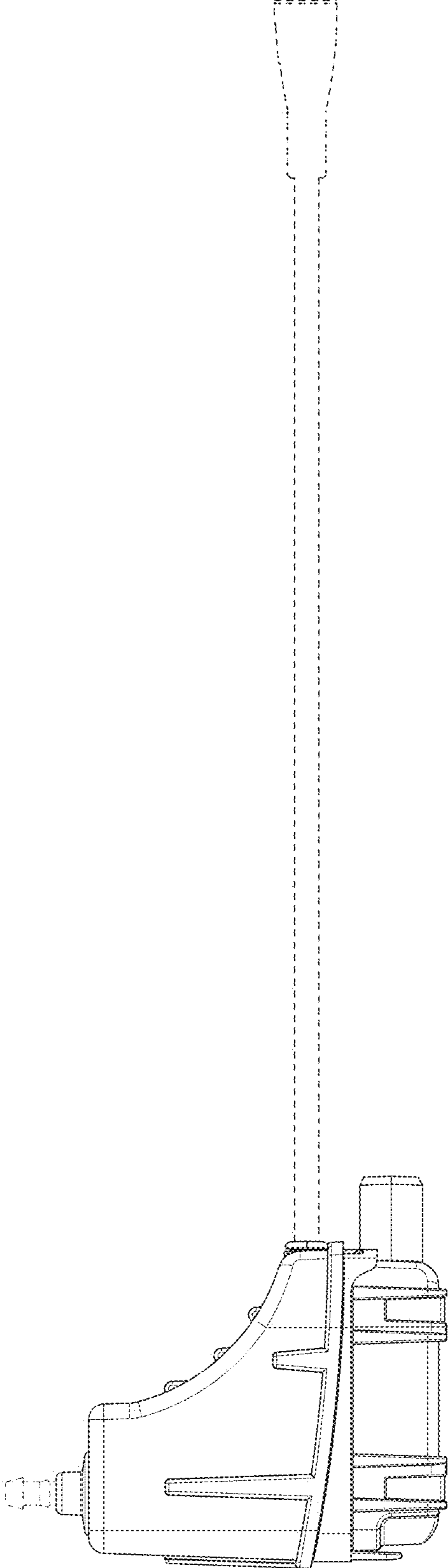


FIG. 6

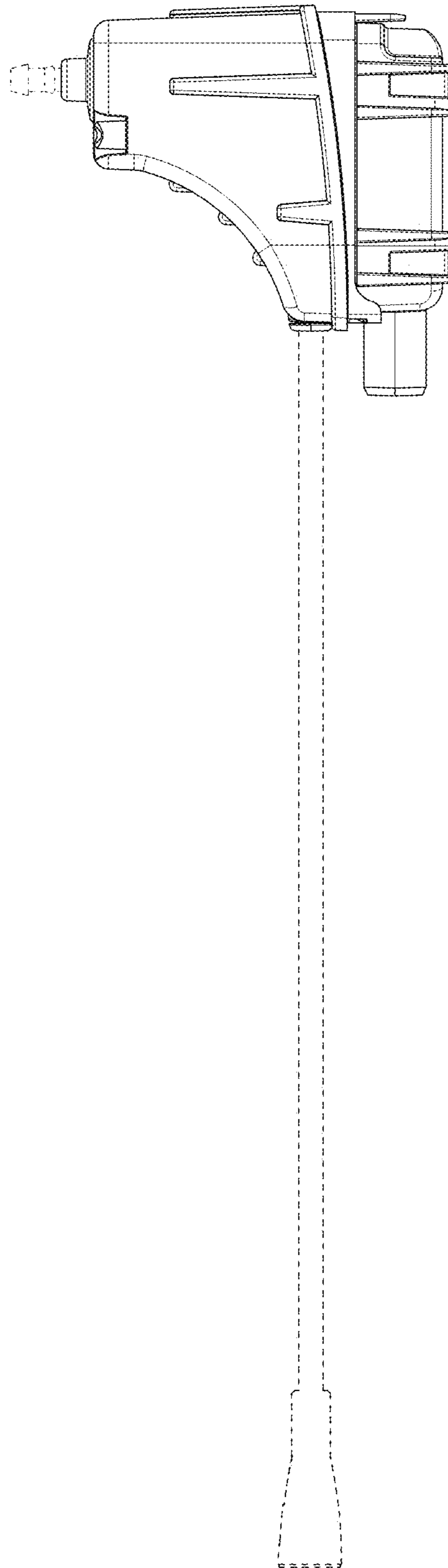


FIG. 7

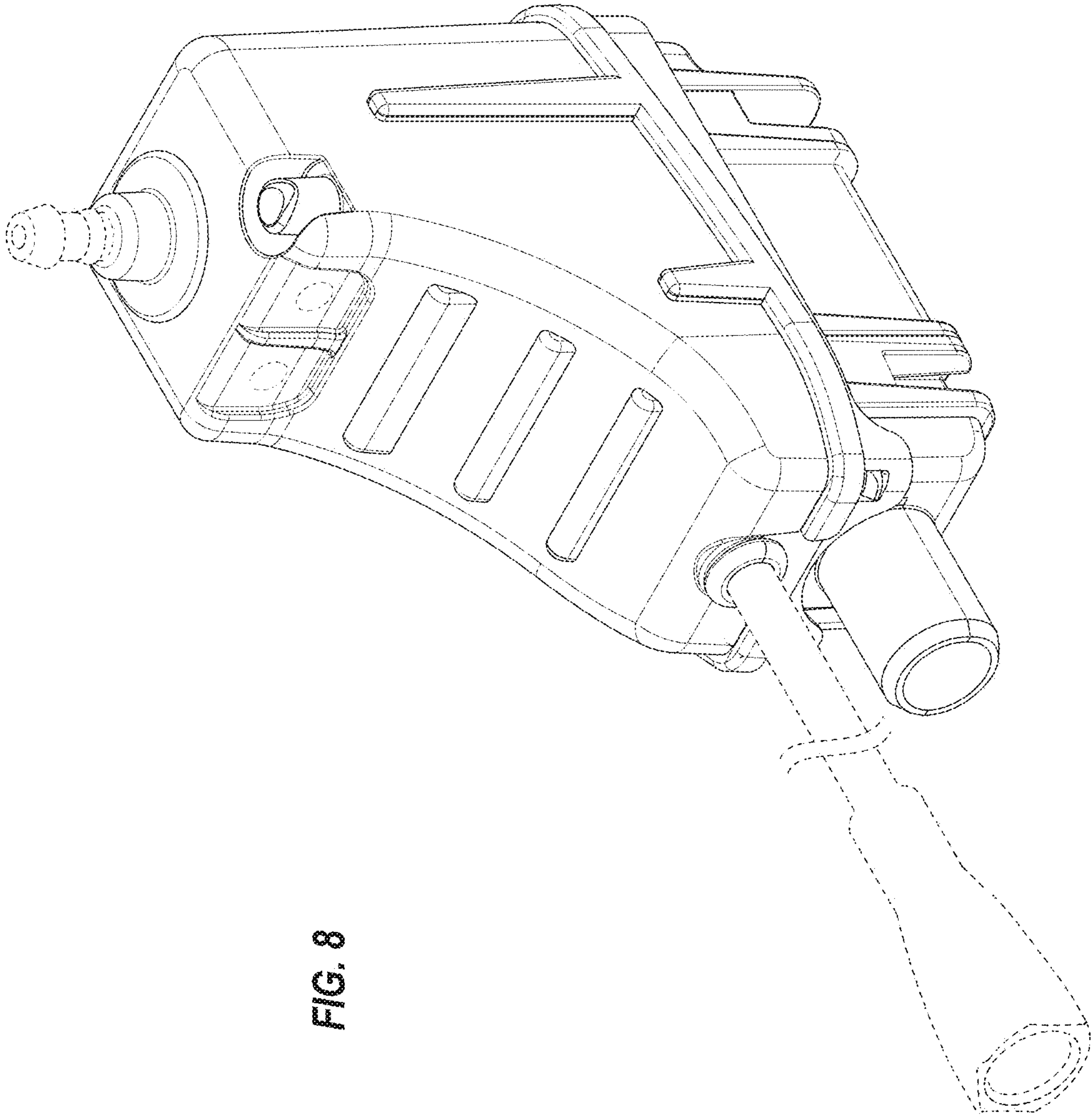


FIG. 8

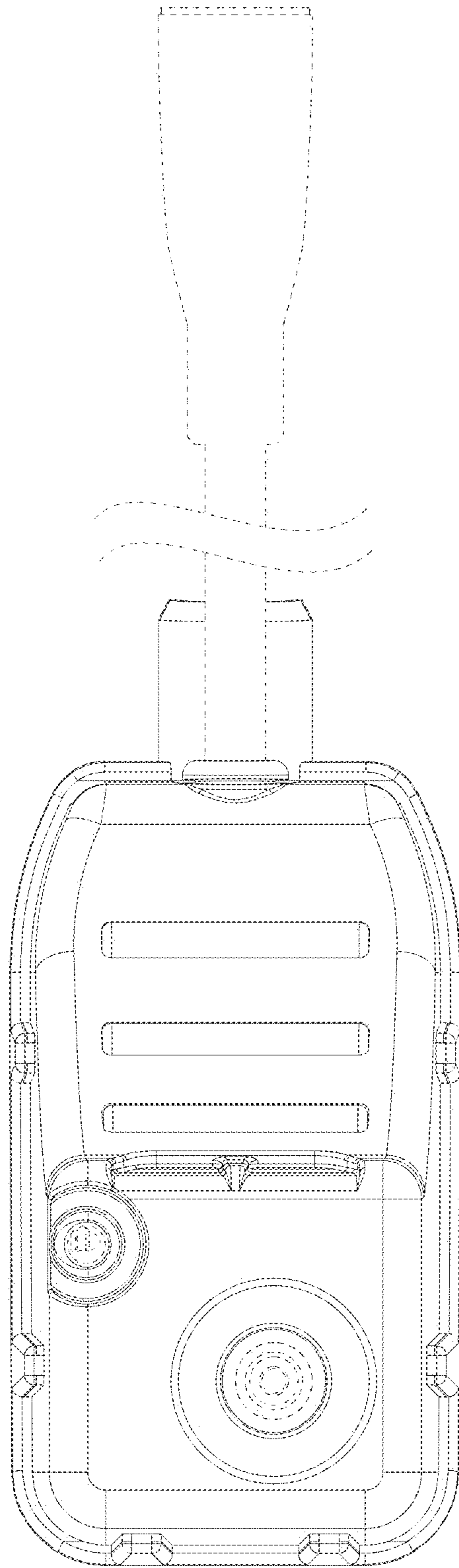


FIG. 9

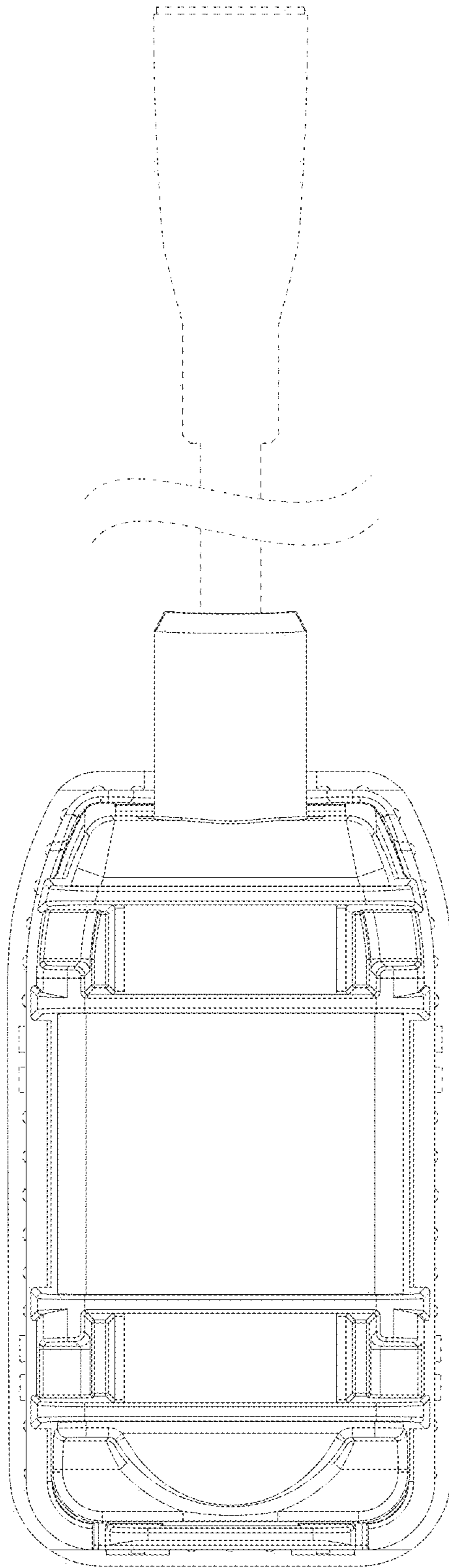


FIG. 10

