



US00D919666S

(12) **United States Design Patent**
Vaidyanathan et al.

(10) **Patent No.:** **US D919,666 S**

(45) **Date of Patent:** **** May 18, 2021**

(54) **PRESSURE REGULATOR BLOCK**

(71) Applicant: **Transportation IP Holdings, LLC,**
Norwalk, CT (US)

(72) Inventors: **Krishnamurthy Vaidyanathan,**
Bangalore (IN); **Bharath**
Chandrashekar, Bangalore (IN);
Ramprasad Shetti, Bangalore (IN);
Radhish Balan Sulochana, Bangalore
(IN); **Mahantesh Hosur,** Bangalore
(IN)

(73) Assignee: **TRANSPORTATION IP HOLDINGS,**
LLC, Norwalk, CT (US)

(**) Term: **15 Years**

(21) Appl. No.: **29/759,528**

(22) Filed: **Nov. 23, 2020**

Related U.S. Application Data

(62) Division of application No. 29/653,083, filed on Jun.
12, 2018, now Pat. No. Des. 906,371.

(51) **LOC (13) Cl.** **15-01**

(52) **U.S. Cl.**
USPC **D15/5**

(58) **Field of Classification Search**
USPC D15/5; D23/233, 237, 245, 259, 269;
D10/121; D12/218
CPC ... B29C 44/1271; B29C 44/086; B60T 17/04;
F16H 61/30; F16H 61/0267
See application file for complete search history.

(56) **References Cited**

U.S. PATENT DOCUMENTS

D297,256 S * 8/1988 Schwarz D23/233
5,709,247 A * 1/1998 Hutton F15B 13/0814
137/597

D398,375 S * 9/1998 Lynch D23/245
D406,320 S * 3/1999 Lynch D23/245
D414,844 S * 10/1999 Lynch D23/245
D427,664 S * 7/2000 Yano D23/233
D433,481 S * 11/2000 Kaneko D23/233
D440,632 S * 4/2001 Fukuda D23/233
6,264,113 B1 * 7/2001 Dingler B05B 7/0815
239/11
6,866,065 B2 * 3/2005 Camozzi F15B 13/0402
137/625.69
D518,147 S * 3/2006 Fukushima D23/233
D520,520 S * 5/2006 Nimberger D15/5
D521,596 S * 5/2006 Nimberger D15/5
D521,597 S * 5/2006 Nimberger D23/233
D536,422 S * 2/2007 Nimberger D15/5
D544,499 S * 6/2007 Nimberger D15/5
D578,548 S * 10/2008 Bohlen D15/5
D578,549 S * 10/2008 Nimberger D15/5

(Continued)

Primary Examiner — Sheryl Lane

Assistant Examiner — Mark T. Philipps

(74) *Attorney, Agent, or Firm* — McCoy Russell LLP

(57) **CLAIM**

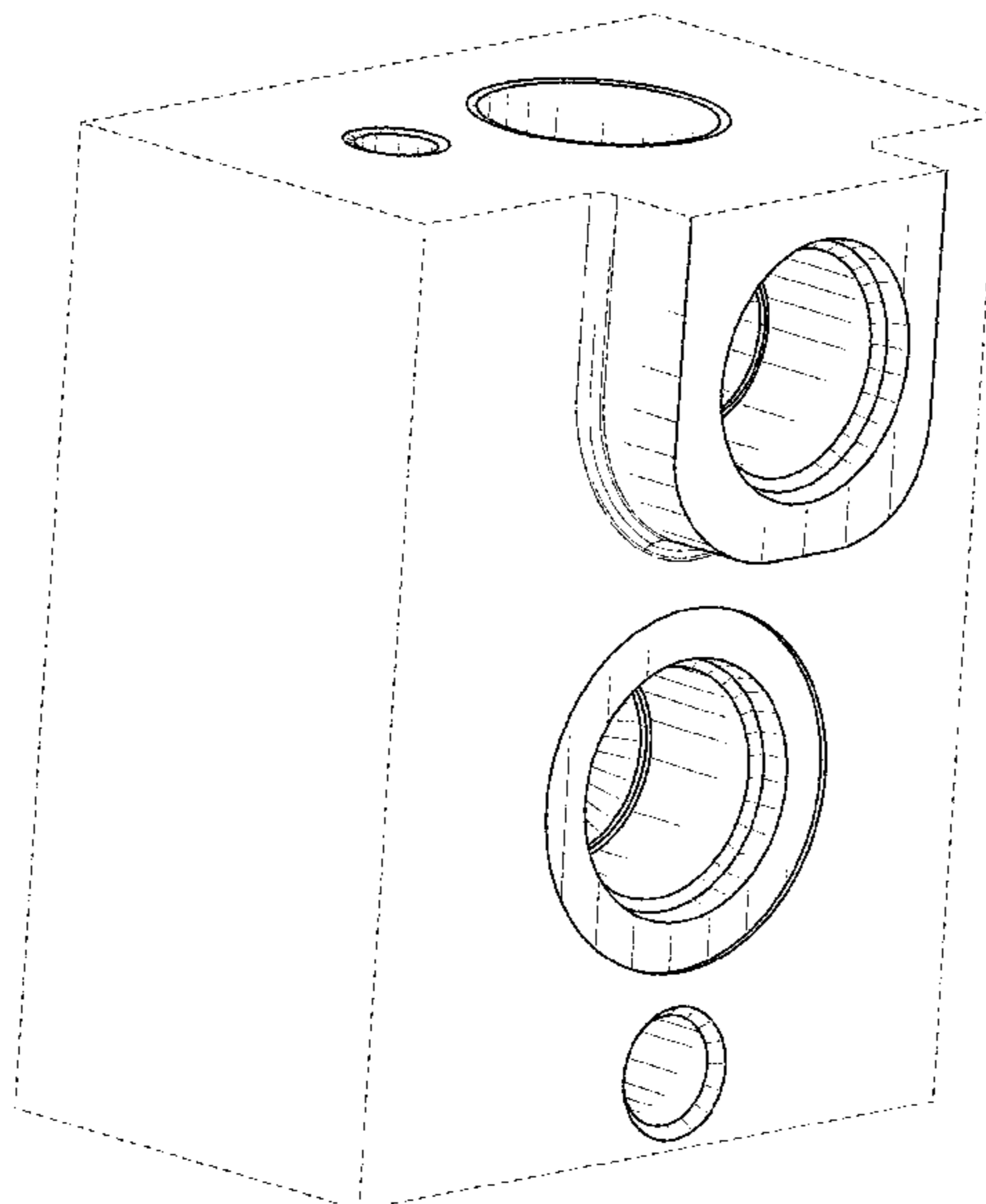
The ornamental design for a pressure regulator block, as shown and described.

DESCRIPTION

FIG. 1 is a perspective view of a pressure regulator block according to a first embodiment of the invention; FIG. 2 is a second perspective view thereof; FIG. 3 is a front view thereof; FIG. 4 is a rear view thereof; FIG. 5 is a left view thereof; FIG. 6 is a right view thereof; FIG. 7 is a top view thereof; and, FIG. 8 is a bottom view thereof.

The broken line portion of the figures is included to show unclaimed subject matter only and forms no part of the claimed design.

1 Claim, 5 Drawing Sheets



(56)

References Cited

U.S. PATENT DOCUMENTS

D583,832 S * 12/2008 Nimberger D15/5
D584,319 S * 1/2009 Nimberger D15/5
D615,619 S * 5/2010 Roys D23/233
D619,219 S * 7/2010 Waymire D23/237
D731,620 S * 6/2015 Galle D23/233
D868,218 S * 11/2019 Sonerud D23/259
2003/0145886 A1 * 8/2003 Paul G05D 16/2026
137/98
2019/0322264 A1 * 10/2019 Weh F15B 13/0814

* cited by examiner

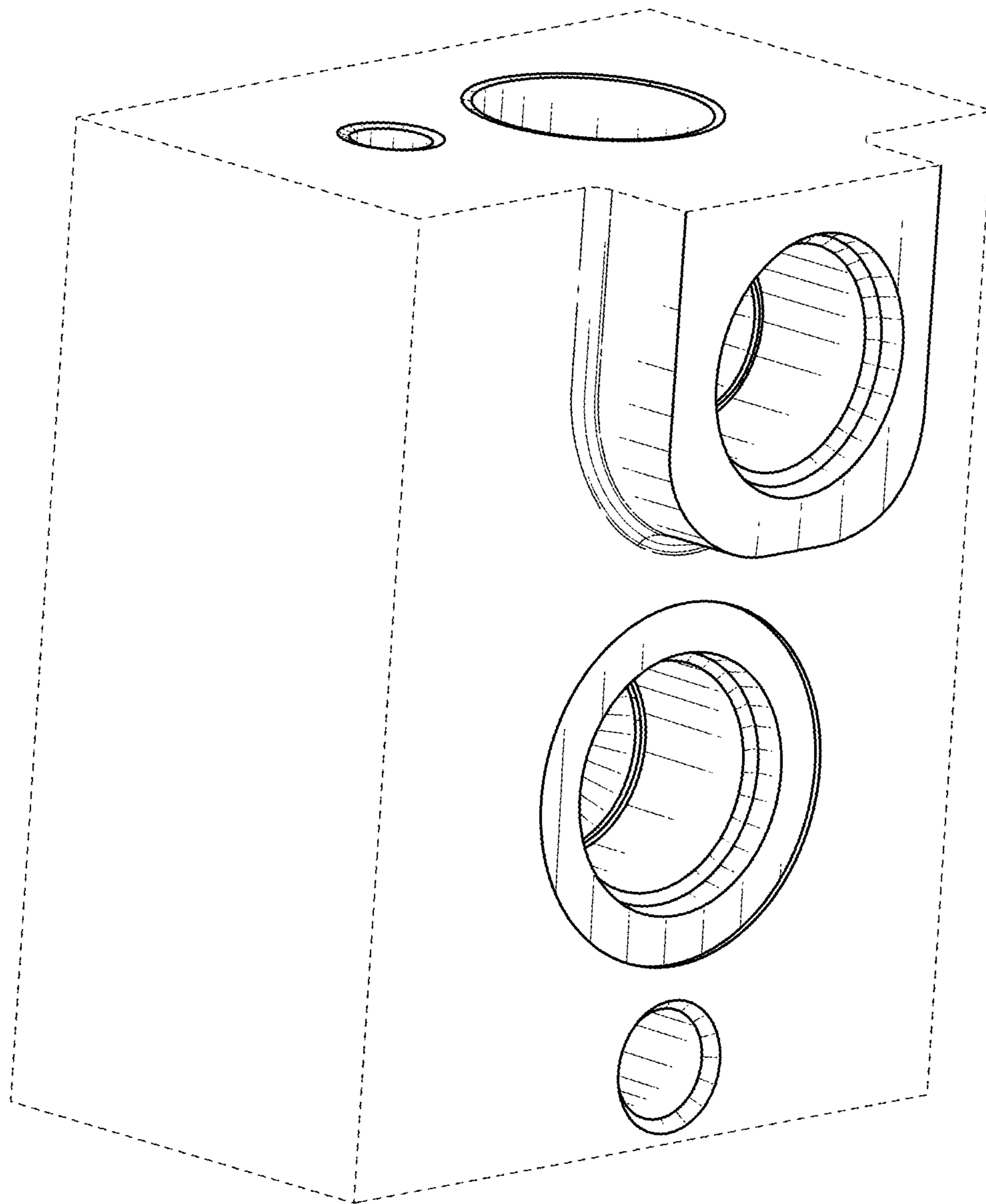


FIG. 1

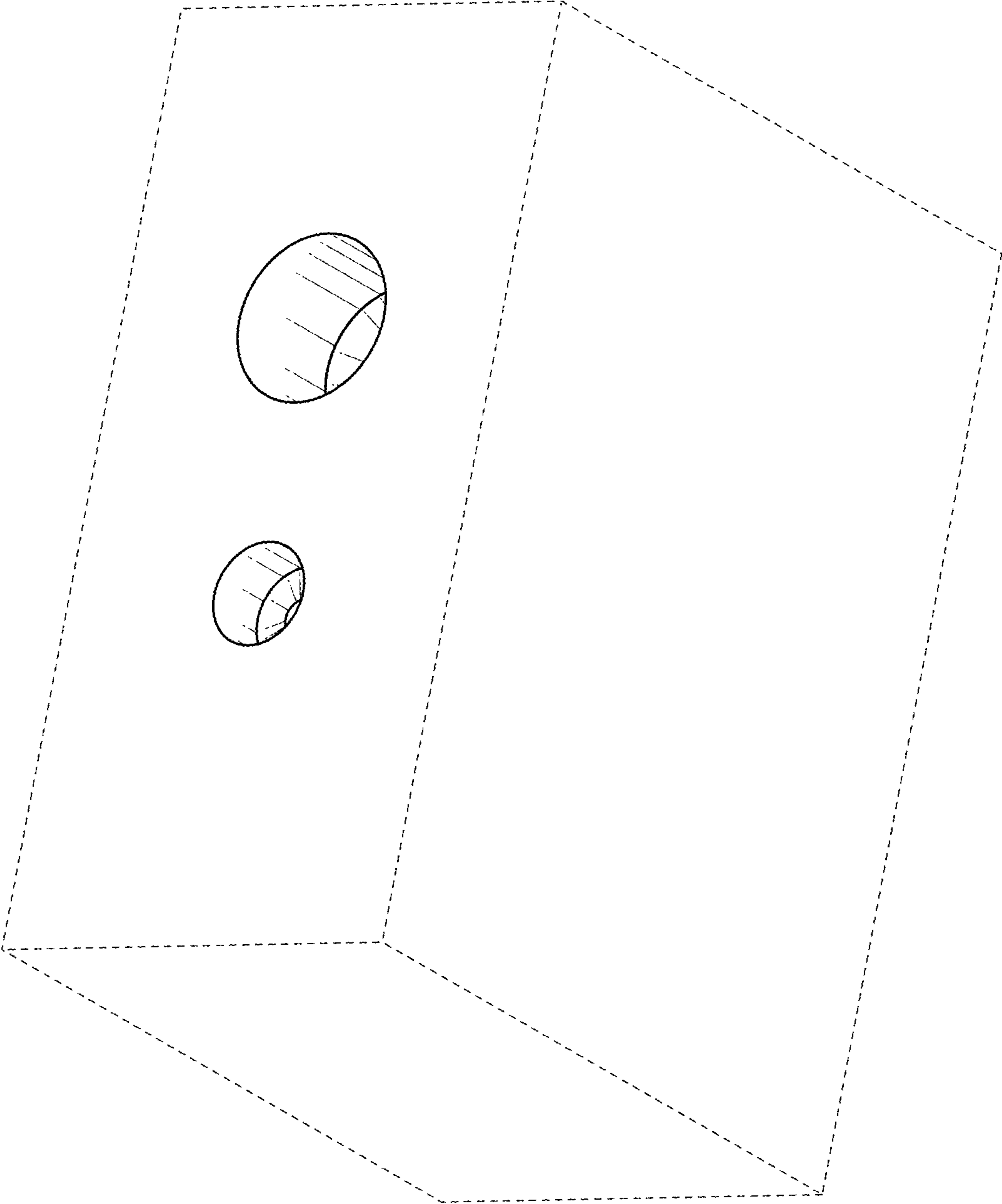


FIG. 2



FIG. 4

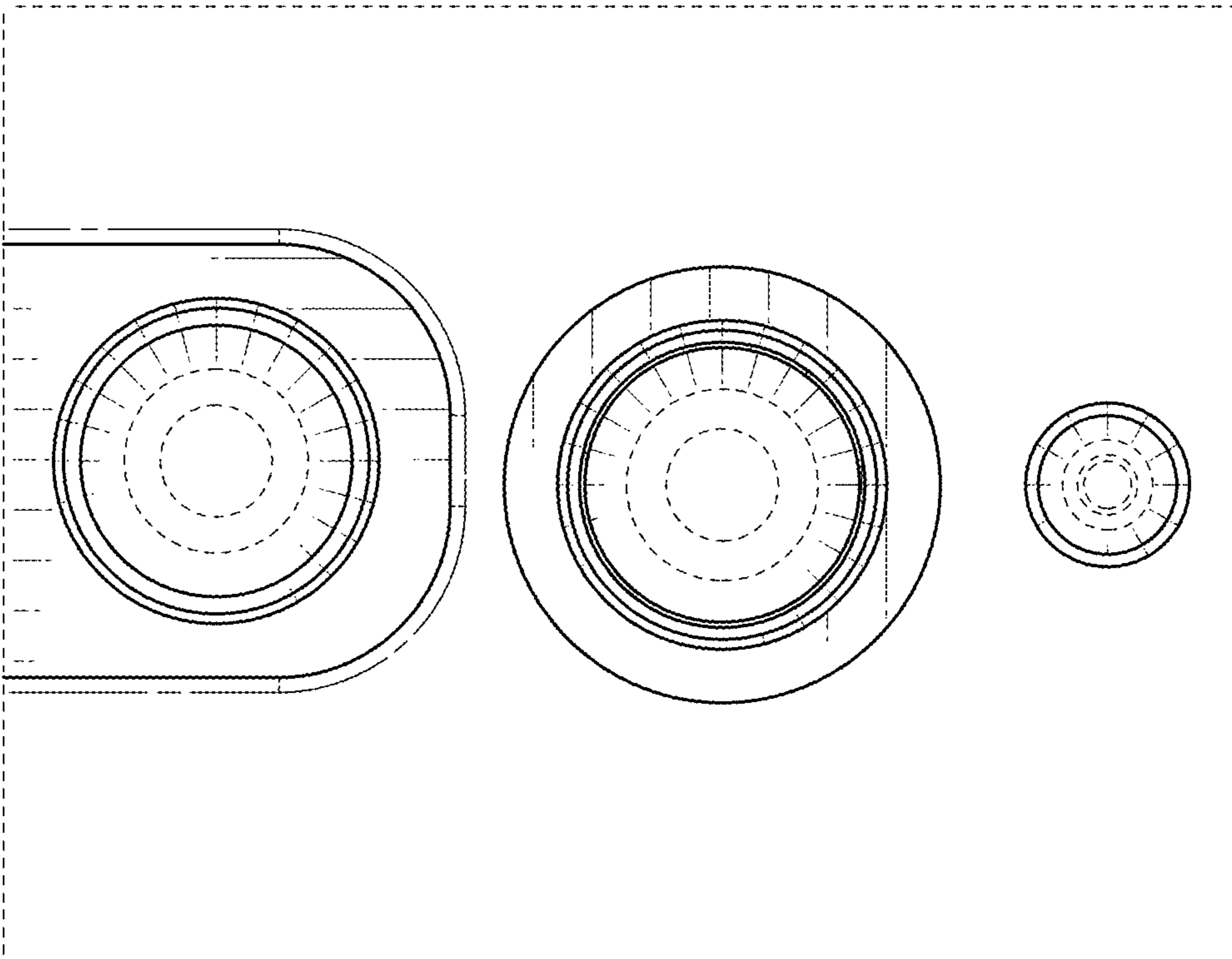


FIG. 3

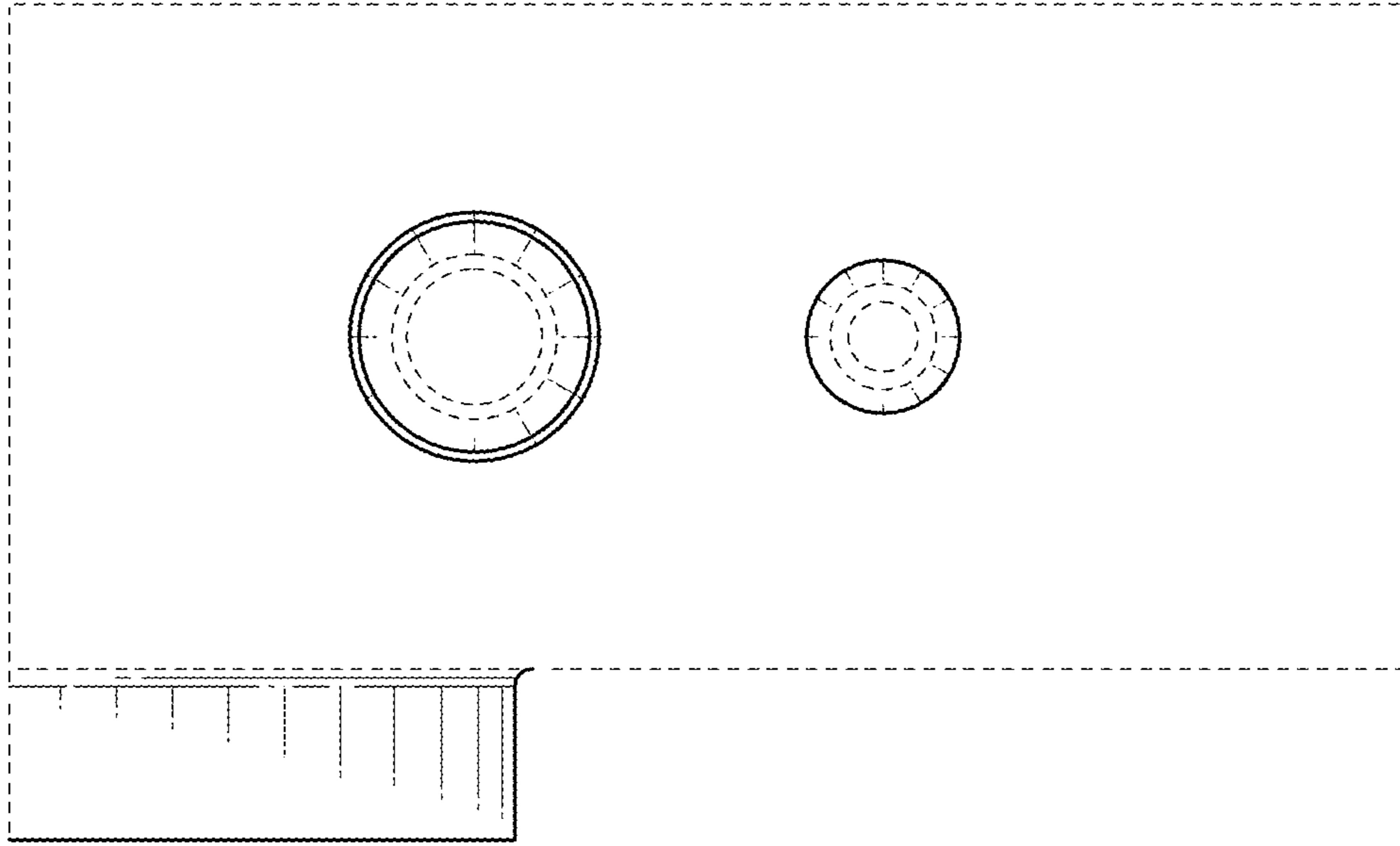


FIG. 5

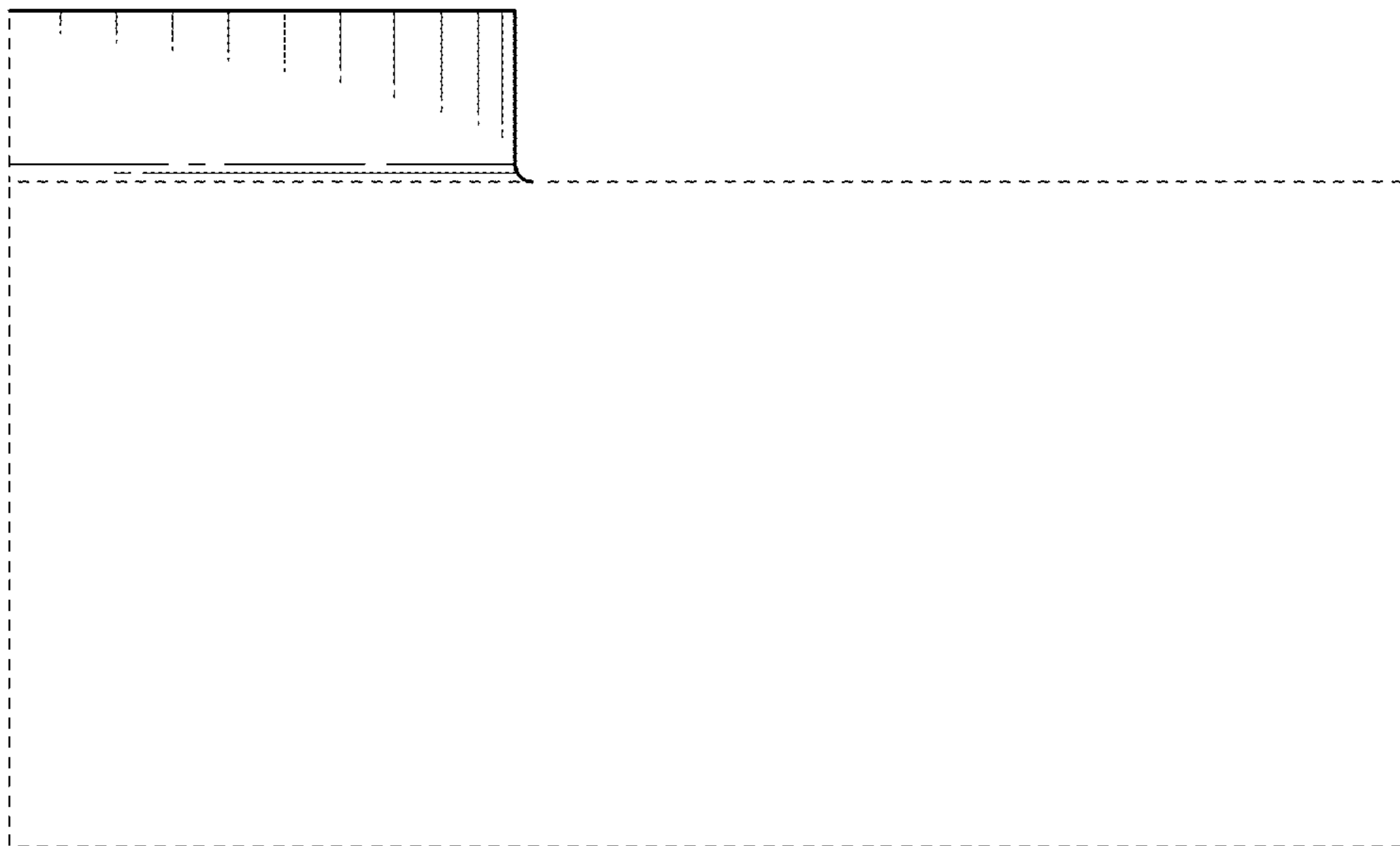


FIG. 6

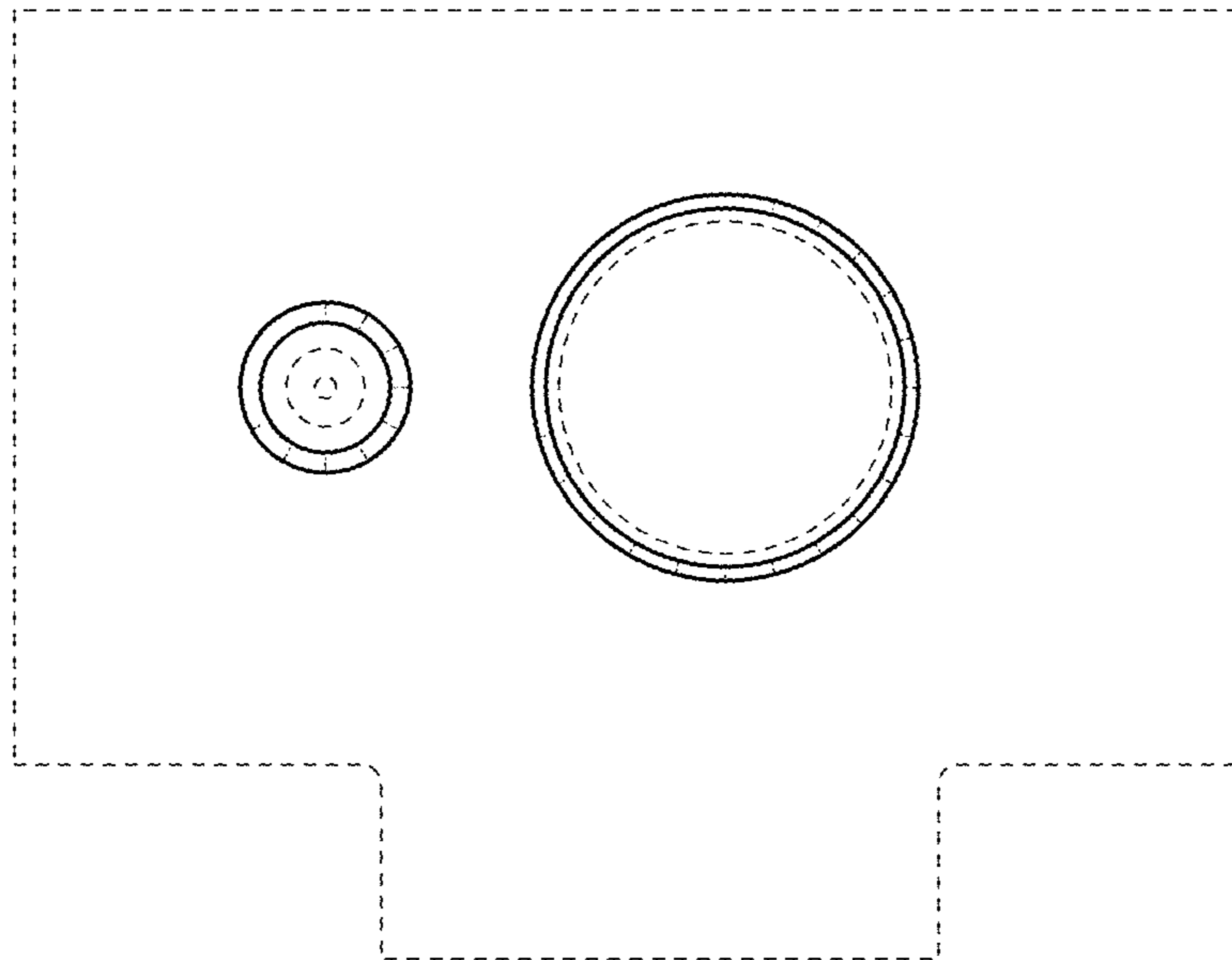


FIG. 7

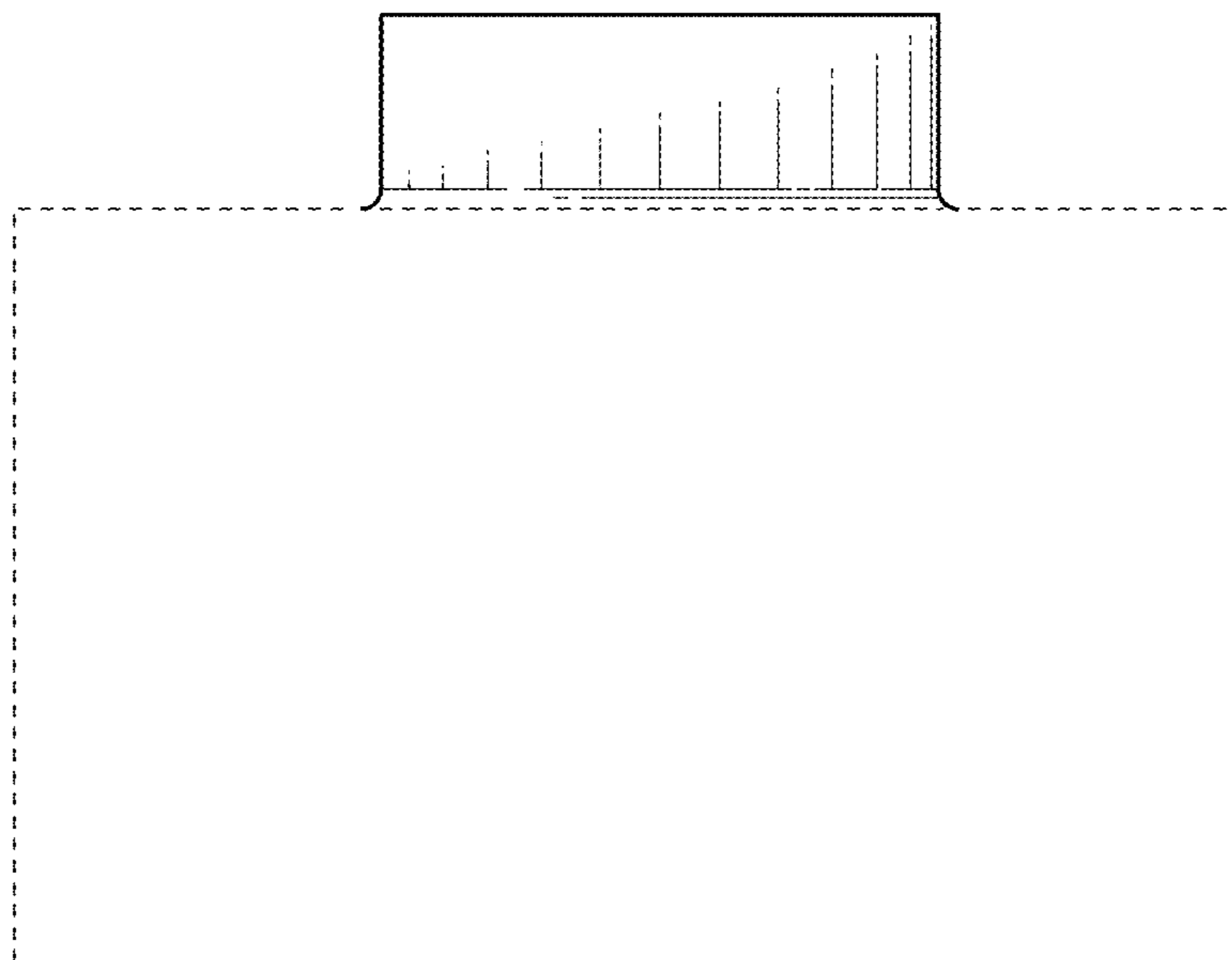


FIG. 8