



US00D919663S

(12) **United States Design Patent**  
**Deng et al.**

(10) **Patent No.:** **US D919,663 S**  
(45) **Date of Patent:** **\*\* May 18, 2021**

(54) **SOUND MODULE**

(71) Applicant: **Guangzhou Rantion Technology Co., Ltd**, Guangzhou (CN)

(72) Inventors: **Linghua Deng**, Guangzhou (CN); **Junjie Li**, Guangzhou (CN); **Zhonghua Chen**, Guangzhou (CN); **Shuocun Li**, Guangzhou (CN); **Guowei Fang**, Guangzhou (CN)

(\*\*) Term: **15 Years**

(21) Appl. No.: **29/717,157**

(22) Filed: **Dec. 16, 2019**

(30) **Foreign Application Priority Data**

Nov. 29, 2019 (CN) ..... 201930663379.8

(51) **LOC (13) Cl.** ..... **14-03**

(52) **U.S. Cl.**  
USPC ..... **D14/496**

(58) **Field of Classification Search**  
USPC ..... D14/155–159, 160–173, 187–188,  
D14/203.1–203.8, 204–216, 217–222,  
D14/223, 225–229, 496  
CPC ..... H04R 1/02; H04R 1/021; H04R 1/023;  
H04R 5/00; H04R 9/06; H04R 2420/07  
See application file for complete search history.

(56) **References Cited**

U.S. PATENT DOCUMENTS

D439,243 S *	3/2001	Miyazaki	.....	D14/137
D611,930 S *	3/2010	Cho	.....	D14/209.1
D873,239 S *	1/2020	Zeng	.....	D14/207
D891,391 S *	7/2020	Haberlah	.....	D14/188
D906,274 S *	12/2020	Nakamura	.....	D14/155

\* cited by examiner

*Primary Examiner* — Barbara Fox

*Assistant Examiner* — Aram Kwon

(74) *Attorney, Agent, or Firm* — Rumi Ranjit Kanakia

(57) **CLAIM**

We claim the ornamental design for a sound module, as shown and described.

**DESCRIPTION**

FIG. 1 is a Perspective view of a sound module showing our new design;

FIG. 2 is a Front view thereof;

FIG. 3 is a Back view thereof;

FIG. 4 is a Left-side view thereof;

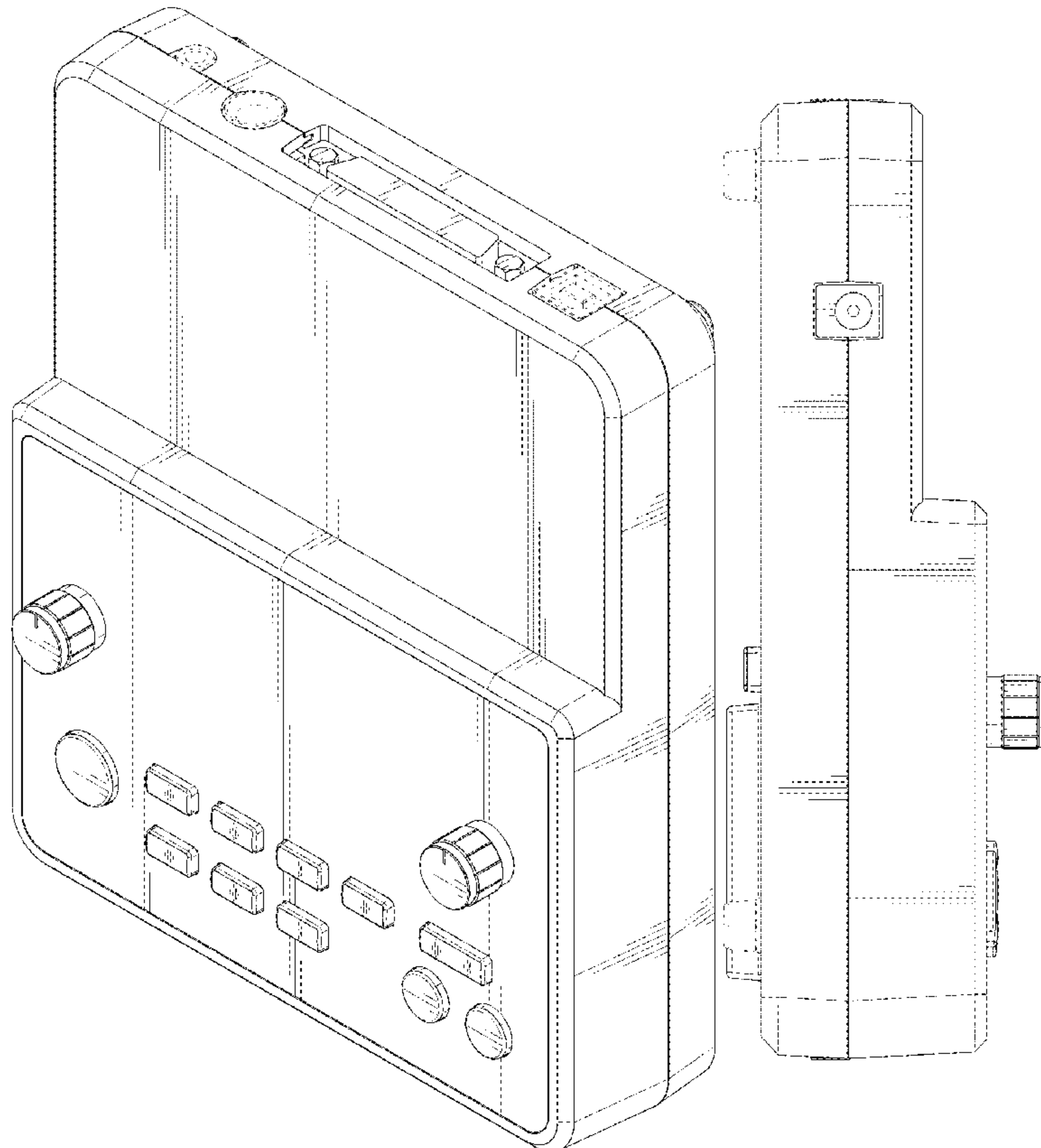
FIG. 5 is a Right-side view thereof;

FIG. 6 is a Top view thereof; and,

FIG. 7 is a Bottom view thereof.

The broken lines depict portions of the sound module that form no part of the claimed design.

**1 Claim, 6 Drawing Sheets**



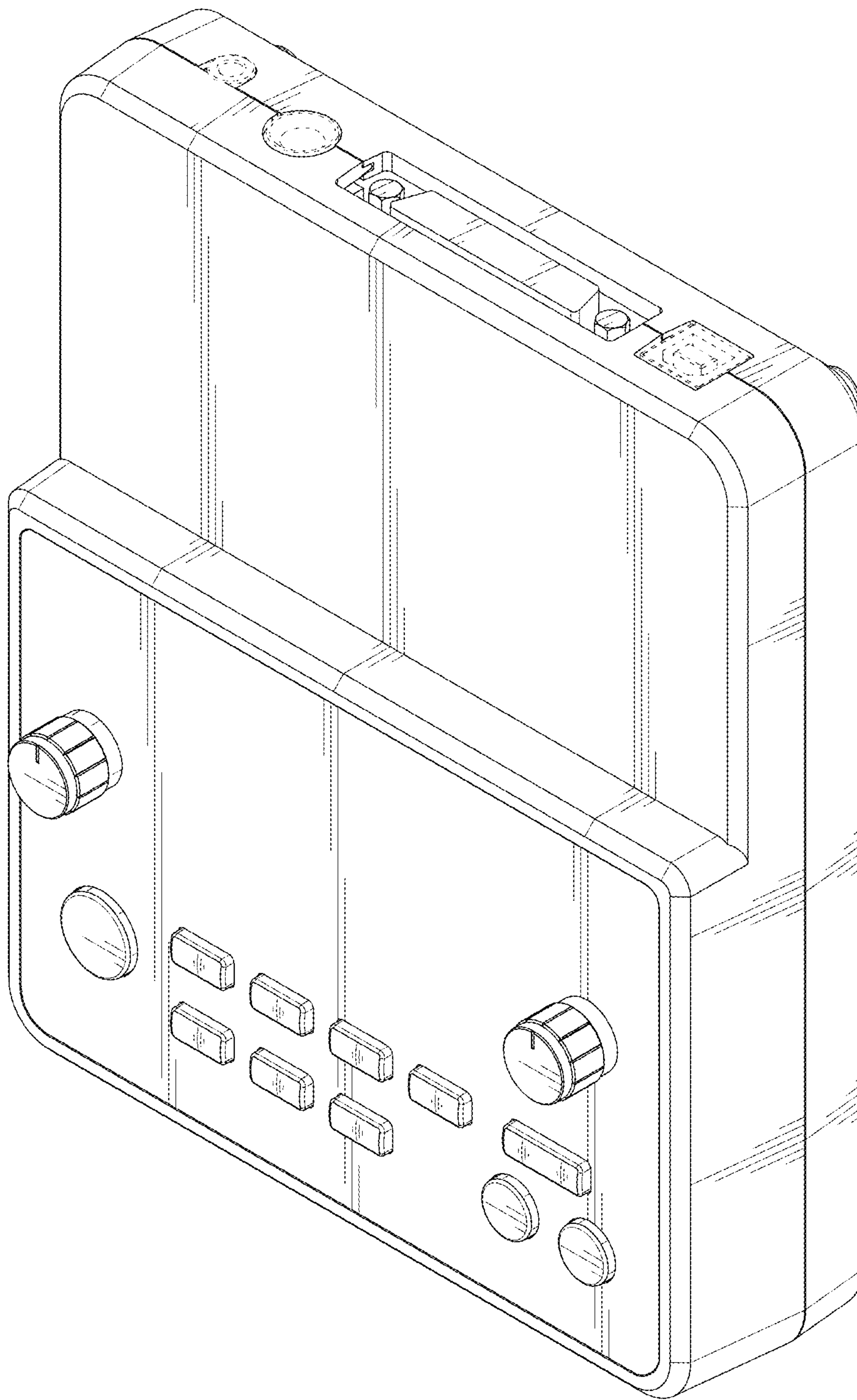


FIG. 1

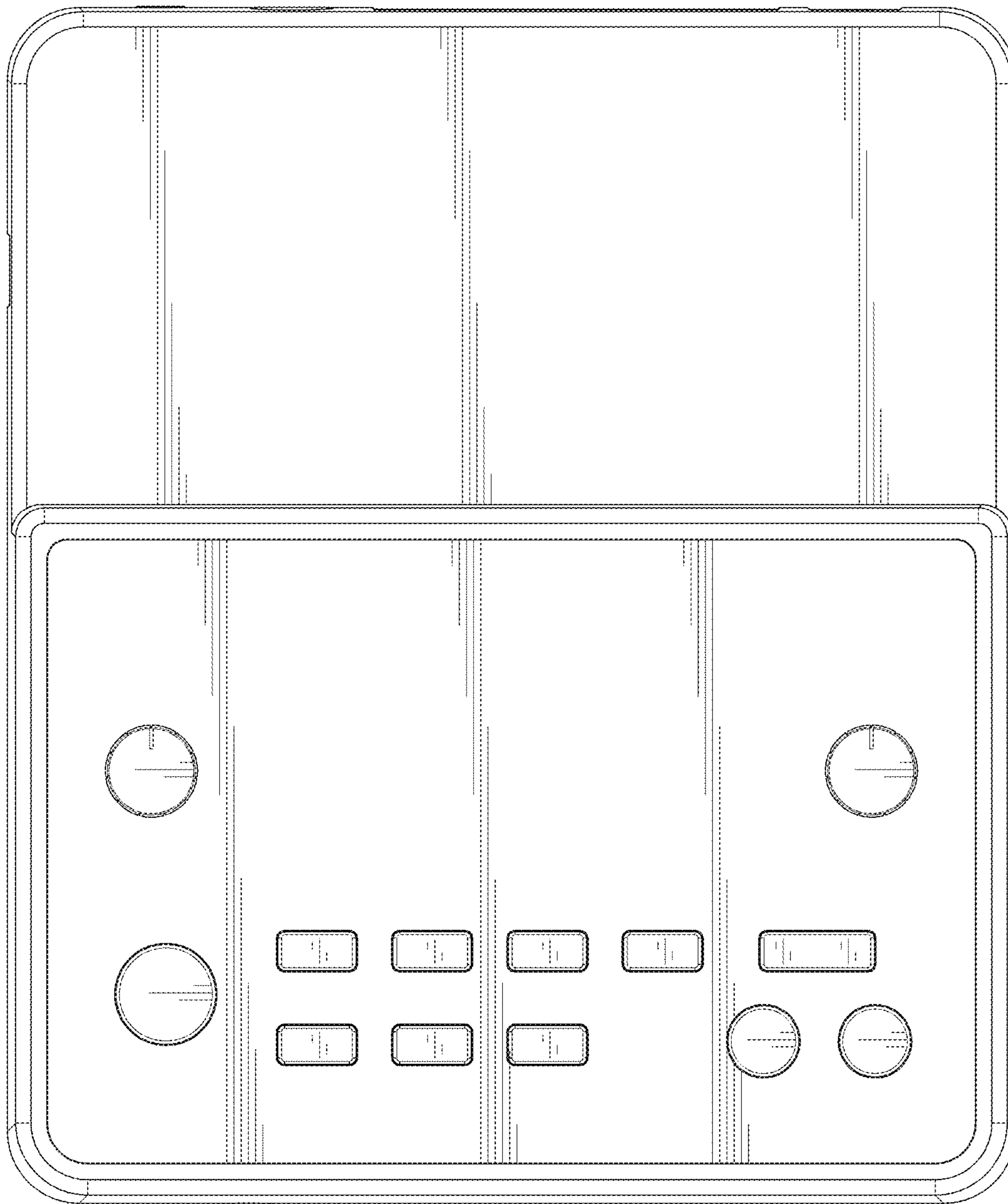


FIG. 2

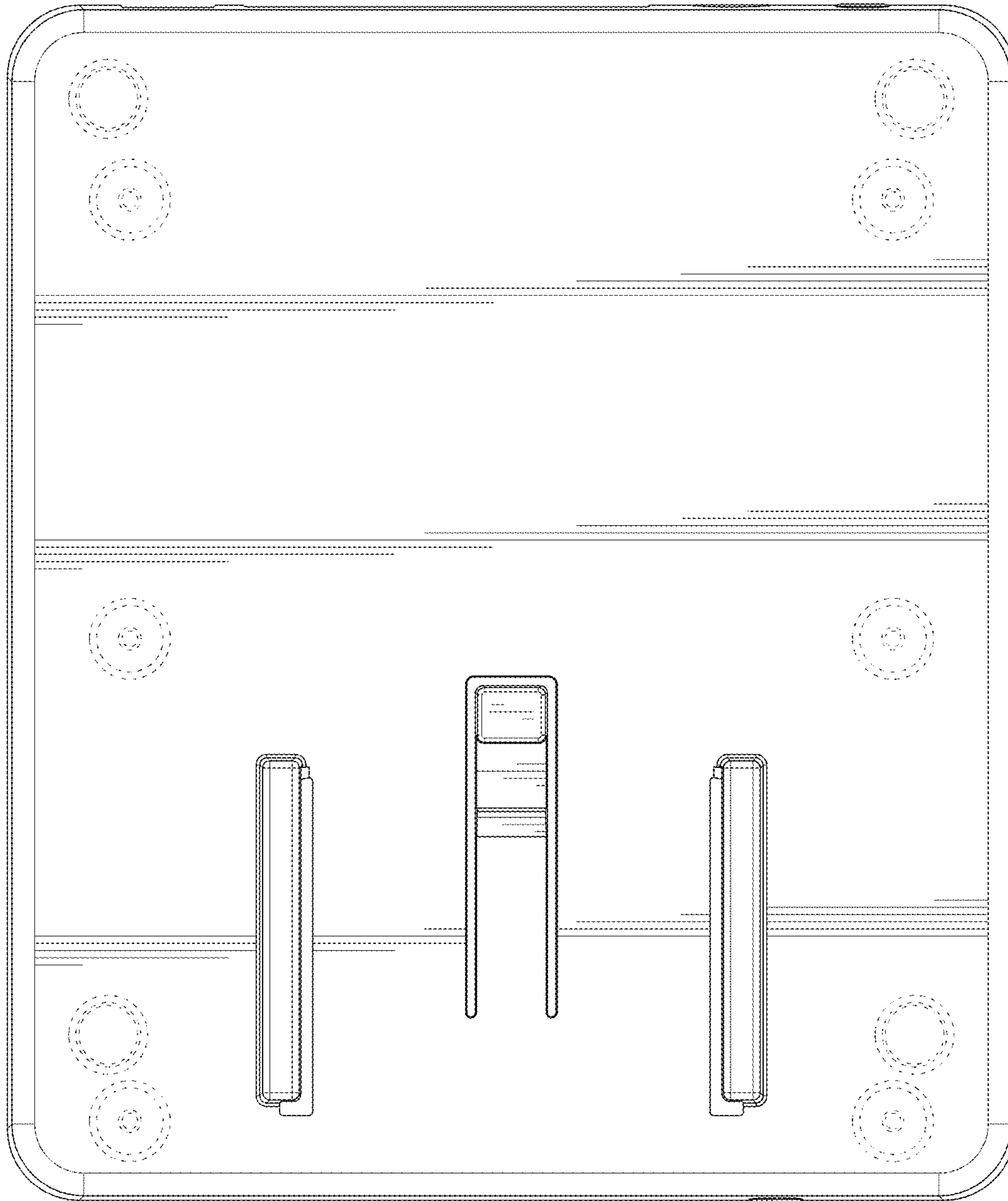


FIG. 3



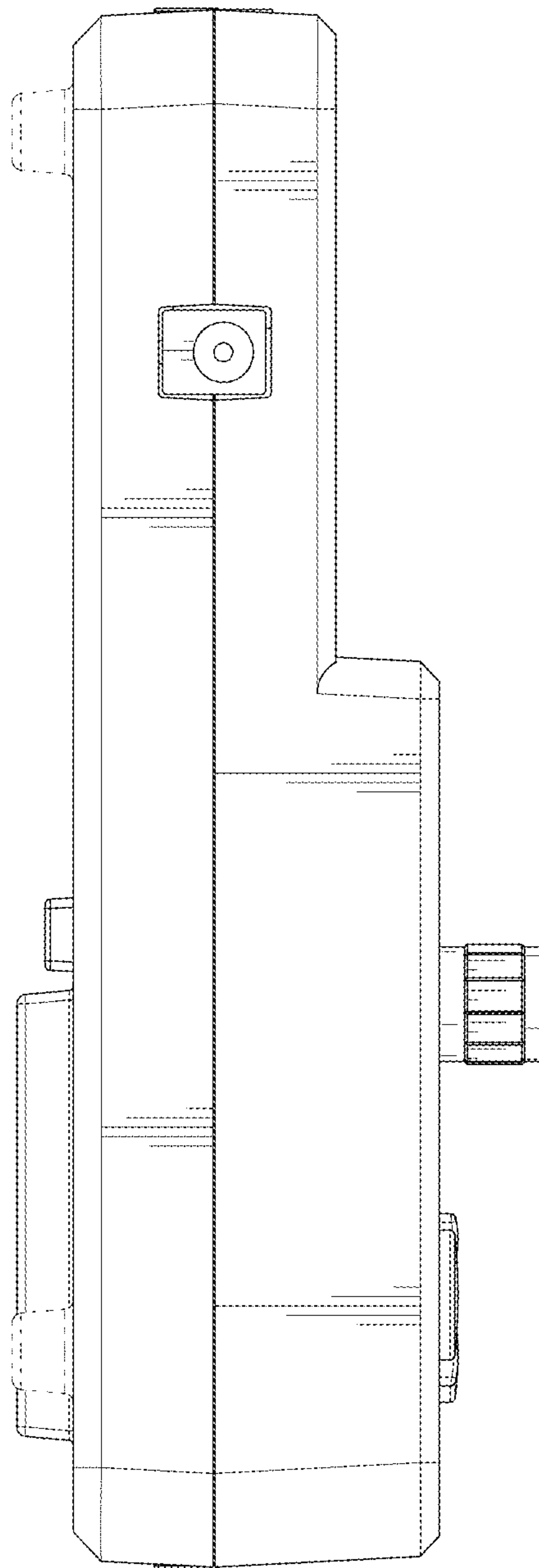


FIG. 4

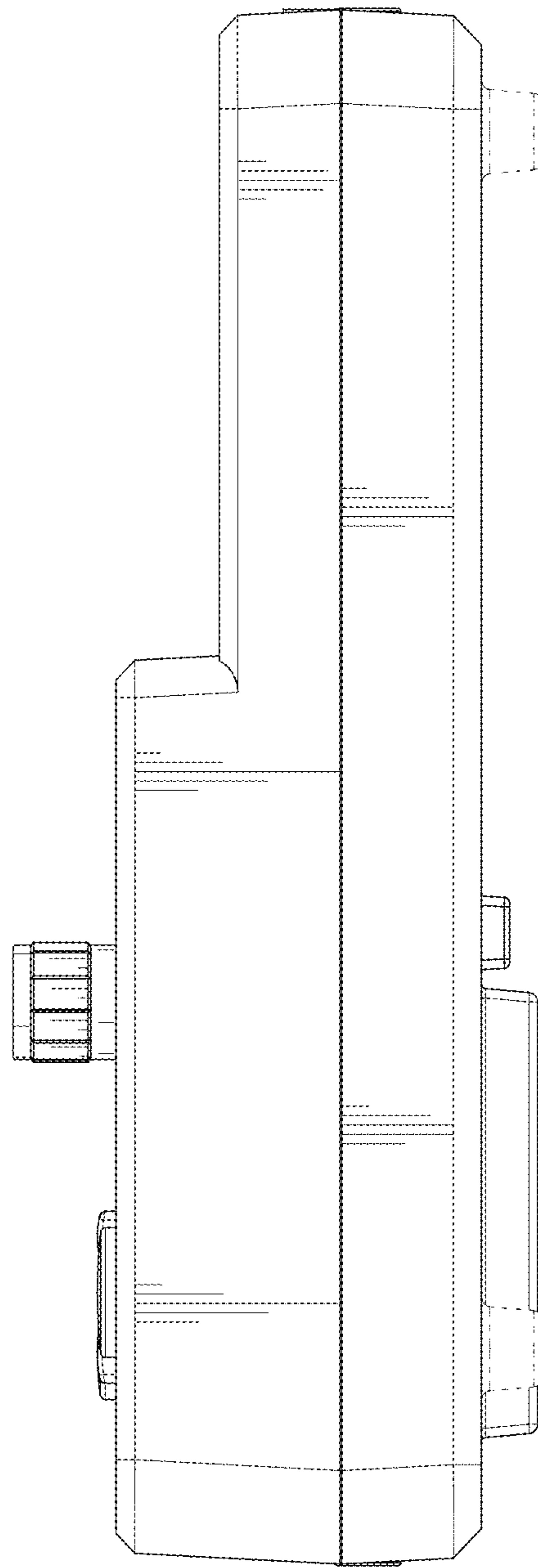


FIG. 5

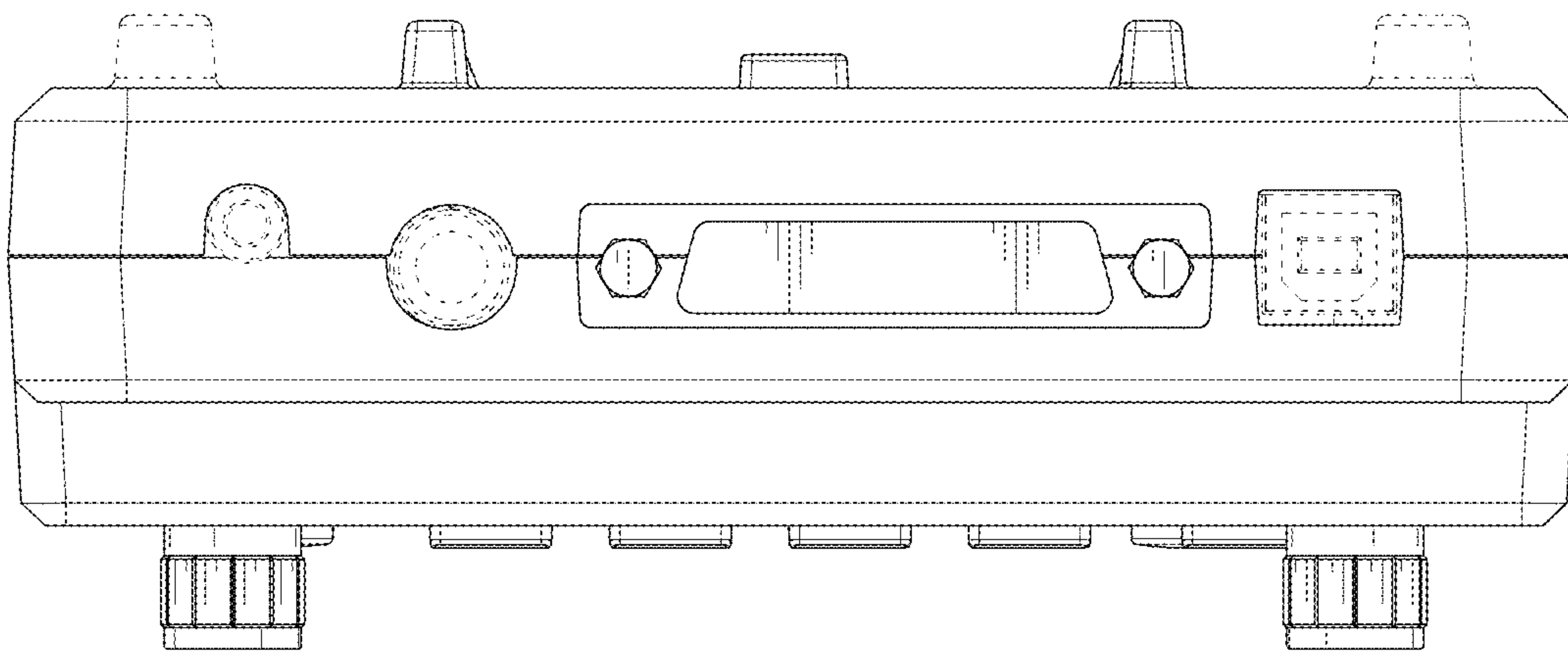


FIG. 6

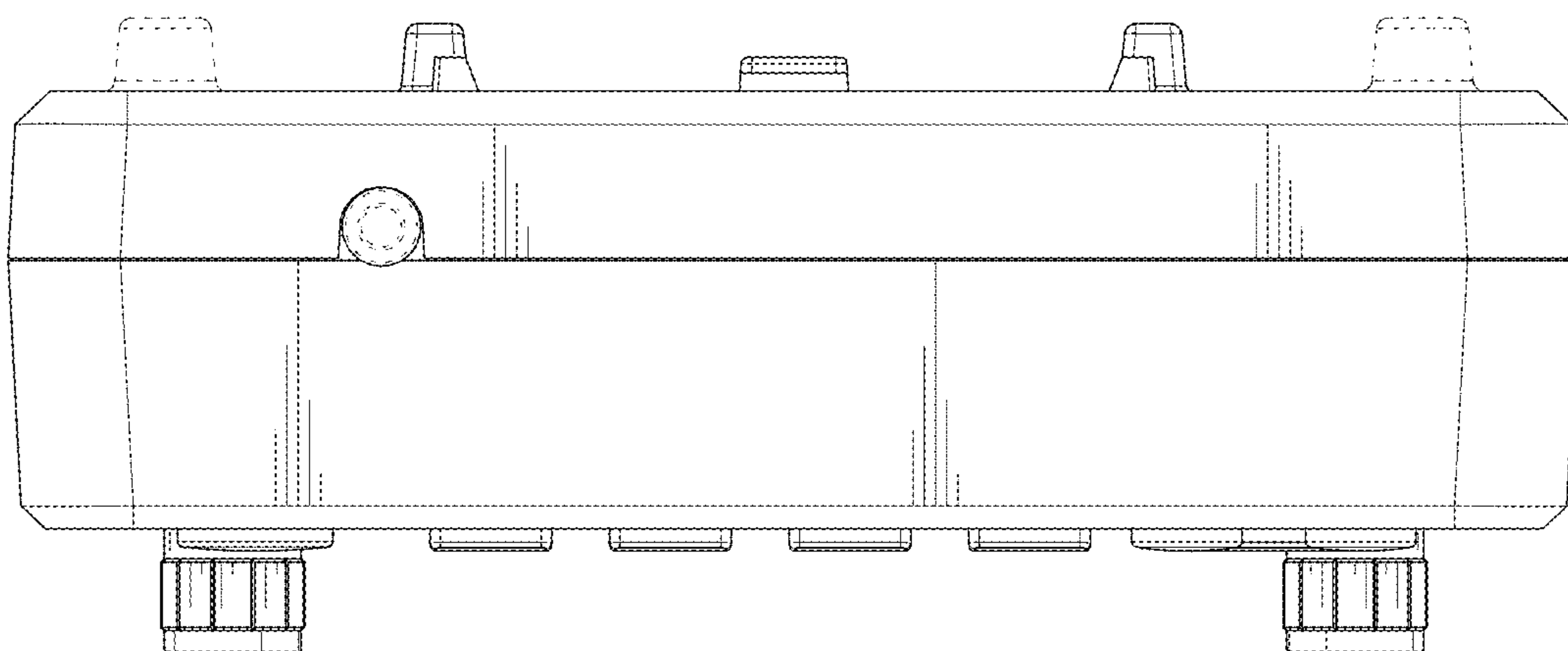


FIG. 7