

US00D919656S

(12) **United States Design Patent** (10) **Patent No.:** **US D919,656 S**  
**Shin et al.** (45) **Date of Patent:** **\*\* May 18, 2021**

(54) **DISPLAY PANEL OR PORTION THEREOF WITH GRAPHICAL USER INTERFACE**  
(71) Applicant: **Butterfly Network, Inc.**, Guilford, CT (US)  
(72) Inventors: **Cristina Shin**, San Francisco, CA (US); **Kirthi Bellamkonda**, New Haven, CT (US); **David Elgena**, Jersey City, NJ (US); **Brandon Lane**, Brooklyn, NY (US)

9,426,627 B1 \* 8/2016 Logan ..... H04W 4/80  
D766,321 S \* 9/2016 Han ..... D14/489  
D778,949 S \* 2/2017 Han ..... D14/489  
D784,395 S 4/2017 Laing et al.  
D789,416 S 6/2017 Baluja et al.  
D797,799 S \* 9/2017 Bunyard ..... D14/491  
D802,014 S 11/2017 Dragoi et al.  
D811,428 S 2/2018 LeVell et al.  
10,025,815 B2 \* 7/2018 Jurowicz ..... G06F 16/219  
D831,068 S \* 10/2018 Khandelwal ..... D14/489  
D834,063 S \* 11/2018 Stray ..... D14/491  
D875,783 S \* 2/2020 Pazmino ..... D14/491

(Continued)

(73) Assignee: **Butterfly Network, Inc.**, Guilford, CT (US)

(\*\*) Term: **15 Years**

(21) Appl. No.: **29/708,311**

(22) Filed: **Oct. 4, 2019**

(51) **LOC (13) Cl.** ..... **14-04**

(52) **U.S. Cl.**  
USPC ..... **D14/491**

(58) **Field of Classification Search**  
USPC ..... D14/485-95  
CPC .. G06F 3/0481; G06F 3/0482; G06F 3/04812; G06F 3/04817; G06F 3/0484; G06F 3/0485; G06F 3/048; G06F 3/0487; G06F 3/0488; G06F 3/04883; G06F 3/04886; G06F 3/0489; G06F 3/0486; G06F 3/04842; G06F 3/04845; G06F 3/04847  
See application file for complete search history.

(56) **References Cited**

**U.S. PATENT DOCUMENTS**

D395,291 S 6/1998 Mason et al.  
D705,258 S \* 5/2014 Gerssen ..... D14/491  
D720,366 S 12/2014 Hiltunen et al.  
D743,977 S 11/2015 dela Cruz et al.  
D760,747 S 7/2016 Gehiere et al.

**OTHER PUBLICATIONS**

[https://www.iconfinder.com/icons/3654923/arrow\\_brackets\\_download\\_internet\\_server\\_up\\_upload\\_icon](https://www.iconfinder.com/icons/3654923/arrow_brackets_download_internet_server_up_upload_icon) (Year: 2018).\*

(Continued)

*Primary Examiner* — Melanie H Tung  
(74) *Attorney, Agent, or Firm* — Wolf, Greenfield & Sacks, P.C.

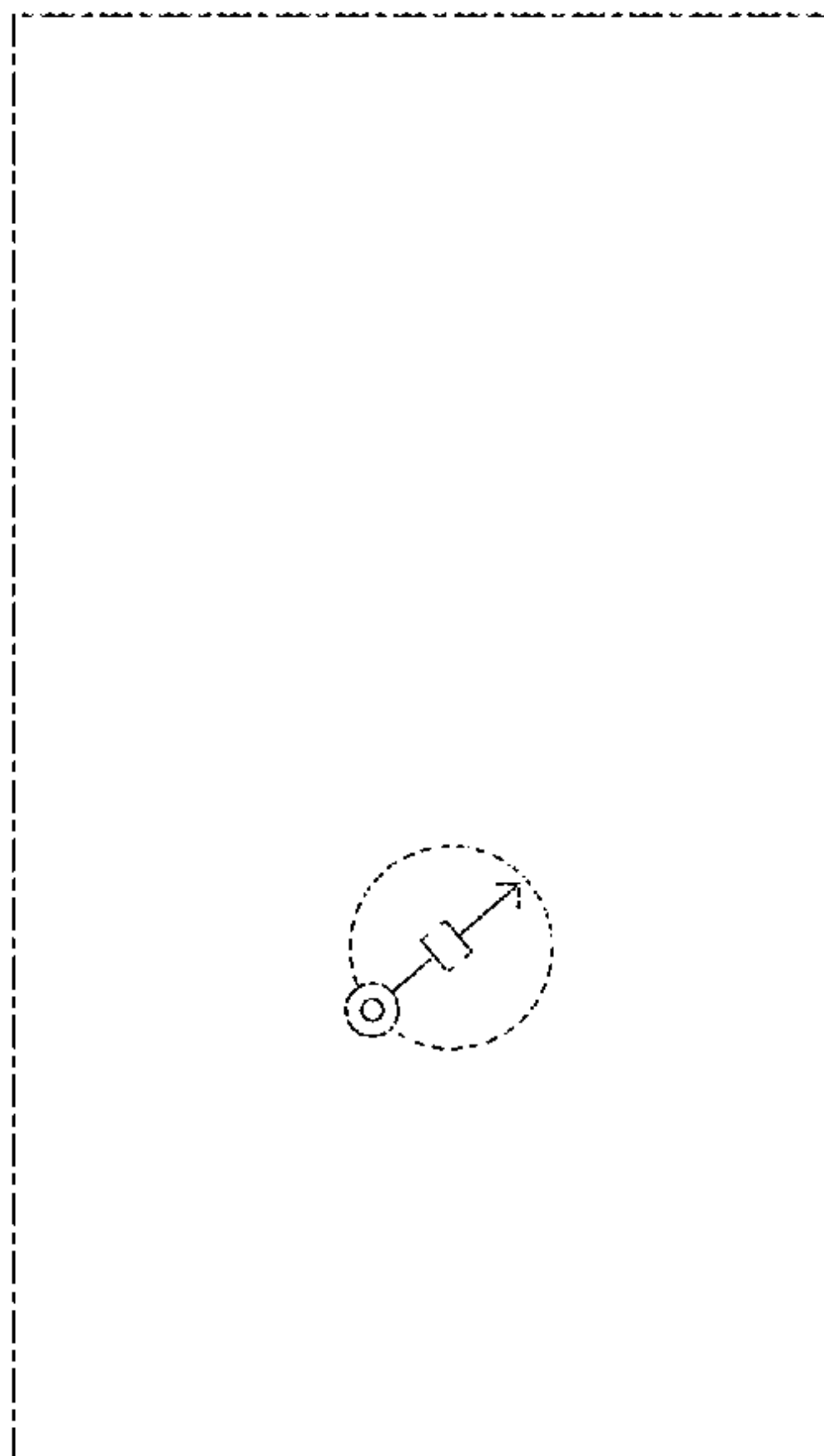
(57) **CLAIM**

The ornamental design for a display panel or portion thereof with graphical user interface, as shown and described.

**DESCRIPTION**

FIG. 1 is a front view of the a display panel or portion thereof with graphical user interface showing our new design; and,  
FIG. 2 is a front view thereof, shown on a display device. The dot-dash broken lines forming a rectangle in FIG. 1 illustrate a display panel or portion thereof and form no part of the claimed design. The dash-dash broken lines that show a circle forms part of the claimed design. The dot-dash broken lines in FIG. 2 showing a display device illustrate a display device that forms no part of the claimed design. The display panel may be used with an ultrasound probe.

**1 Claim, 2 Drawing Sheets**



(56)

**References Cited**

## U.S. PATENT DOCUMENTS

D877,774 S 3/2020 Baluja et al.  
D898,060 S \* 10/2020 Bequet ..... D14/486  
2009/0153527 A1\* 6/2009 Paczkowski ..... G06F 3/04847  
345/184  
2014/0282132 A1\* 9/2014 Daly, IV ..... G06F 3/0484  
715/763  
2015/0278680 A1\* 10/2015 Annapureddy ..... G06N 3/049  
706/25  
2016/0034152 A1\* 2/2016 Wilson ..... G06F 1/163  
715/835  
2016/0155049 A1\* 6/2016 Choi ..... G06N 3/082  
706/16  
2016/0378785 A1\* 12/2016 Liu ..... G06F 16/27  
707/610  
2017/0139477 A1\* 5/2017 Nakayama ..... G06F 3/04842  
2017/0154260 A1\* 6/2017 Hamada ..... G06N 3/086  
2018/0053328 A1\* 2/2018 Simonovic ..... G06F 8/433  
2018/0307969 A1\* 10/2018 Shibahara ..... G06F 17/16  
2019/0114302 A1\* 4/2019 Bequet ..... H04L 67/10

## OTHER PUBLICATIONS

[https://www.iconfinder.com/icons/3666839/code\\_component\\_language\\_programming\\_stroke\\_icon\\_development\\_script\\_icon](https://www.iconfinder.com/icons/3666839/code_component_language_programming_stroke_icon_development_script_icon) (Year: 2018).\*  
[No Author Listed], Using Pulsed-Wave Doppler. Clarius Support.  
<https://support.clarius.com/hc/en-us/articles/360019549512-Using-Pulsed-Wave-Doppler>. Site visited Nov. 15, 2019.

\* cited by examiner

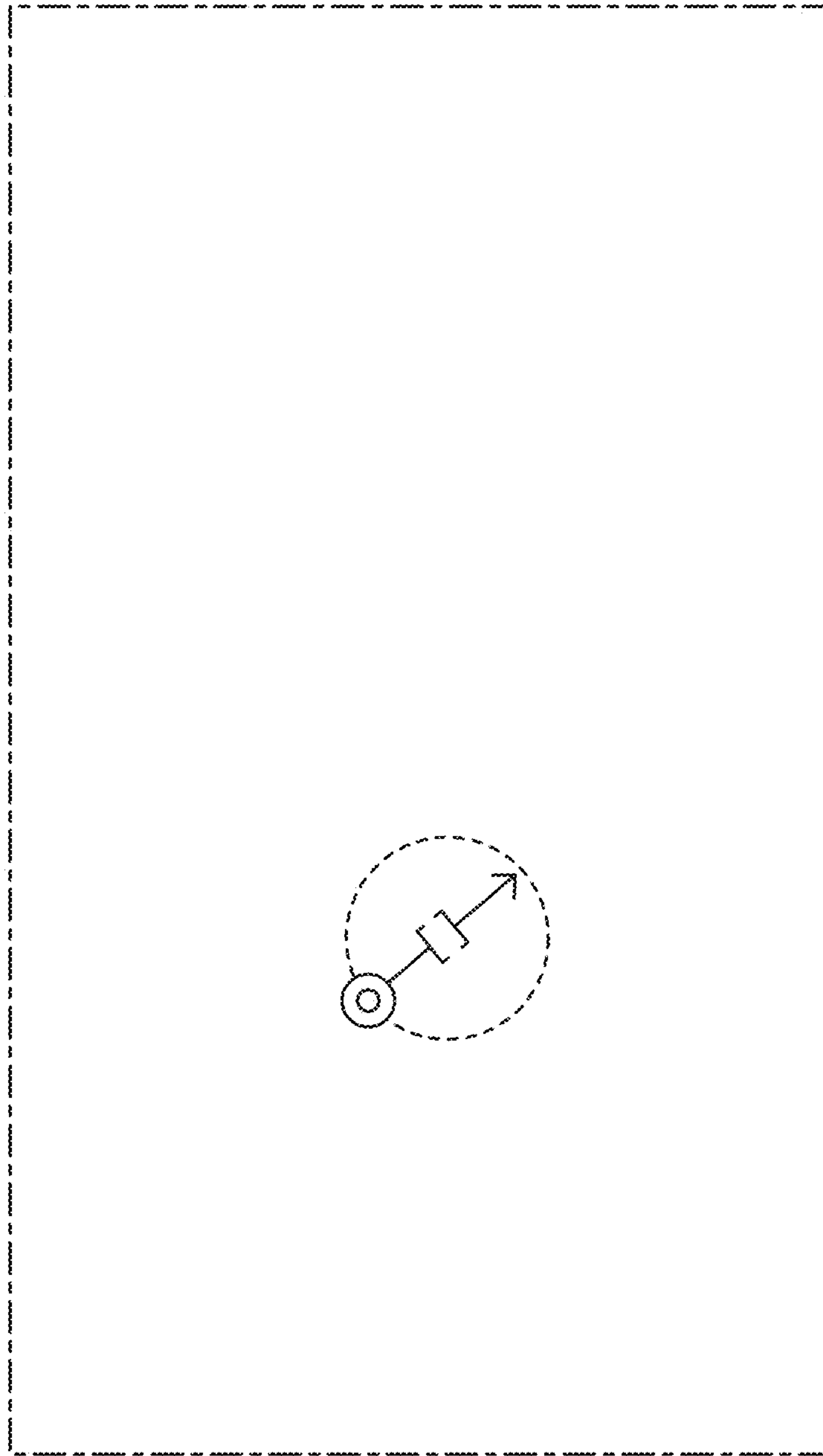


FIG. 1

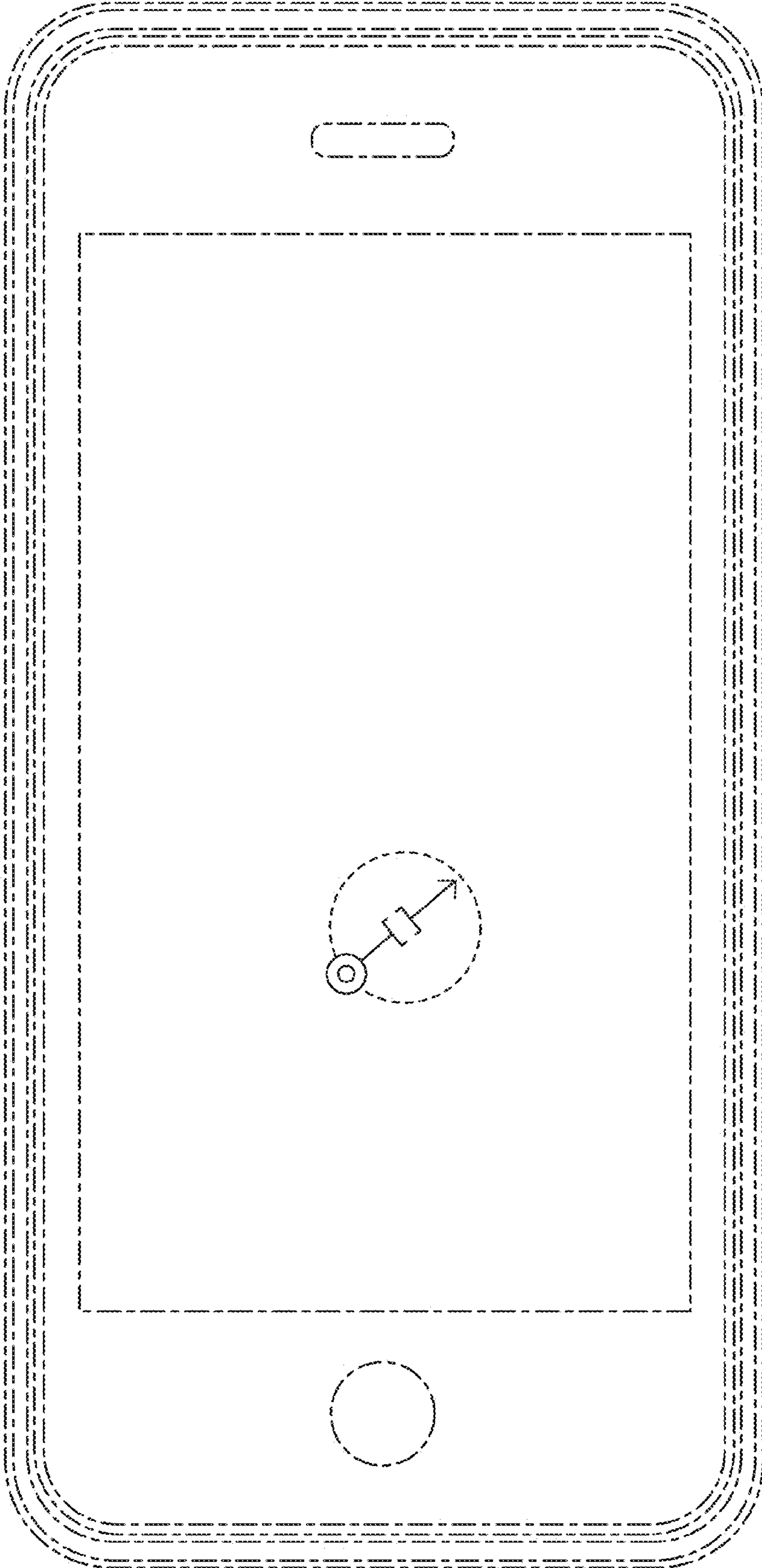


FIG. 2