



US00D919640S

(12) **United States Design Patent** (10) **Patent No.:** **US D919,640 S**
Miklosi et al. (45) **Date of Patent:** **** May 18, 2021**

(54) **DISPLAY SCREEN WITH GRAPHICAL USER INTERFACE**

(71) Applicant: **CATERPILLAR INC.**, Peoria, IL (US)

(72) Inventors: **Mitchell Miklosi**, Peoria, IL (US);
Kristen Ann Gerstner, Peoria, IL (US); **Sarah E. Schonert**, Dunlap, IL (US); **Joshua S. Whitmore**, Dunlap, IL (US)

(73) Assignee: **Caterpillar Inc.**, Peoria, IL (US)

(**) Term: **15 Years**

(21) Appl. No.: **29/721,930**

(22) Filed: **Jan. 24, 2020**

(51) **LOC (13) Cl.** **14-04**

(52) **U.S. Cl.**
USPC **D14/485**

(58) **Field of Classification Search**
USPC D14/485-495; D20/11; D21/324, 325
CPC G06F 3/048; G06F 3/0481; G06F 3/04817;
G06F 3/0482; G06F 3/0483; G06F 3/04842; G06F 3/0485; G06F 3/04855;
G06F 3/0486; G06F 3/0488; G06F 3/04886; G06F 9/4443; G06F 17/211;
G06F 17/212

See application file for complete search history.

(56) **References Cited**

U.S. PATENT DOCUMENTS

D486,499 S * 2/2004 Hayashi D14/486
6,850,256 B2 * 2/2005 Crow G06F 3/048
715/798
7,219,308 B2 * 5/2007 Novak G11B 27/11
715/768
D550,691 S * 9/2007 Hally D14/486
D552,119 S * 10/2007 Wang D14/486
D582,930 S * 12/2008 Blankenship D14/485
D582,931 S * 12/2008 Blankenship D14/485

D597,551 S * 8/2009 Stone D14/486
D655,300 S * 3/2012 Jones D14/486
D663,728 S * 7/2012 Chen D14/374
8,494,723 B2 7/2013 Strohmaier et al.
D689,511 S * 9/2013 Conway D14/486
D714,817 S * 10/2014 Lee D14/486
D735,736 S * 8/2015 Lee D14/486
9,098,180 B1 8/2015 Craig et al.
9,200,915 B2 12/2015 Vulcano et al.
D747,338 S * 1/2016 Lee D14/487
D756,390 S * 5/2016 Kim D14/486

(Continued)

FOREIGN PATENT DOCUMENTS

CN 102945010 A 5/2016
JP 2006-318587 A 7/2009

OTHER PUBLICATIONS

“Cat® Monitor Simulator” Nov. 4, 2019, posted at apkpure.com, [site visited Jan. 12, 2021]. <https://apkpure.com/cat%C2%AE-monitor-simulator/com.cat.gci.mobile.nghmonitorsimulator> (Year: 2019).*

Primary Examiner — John M Otte

(74) *Attorney, Agent, or Firm* — Finnegan, Henderson, Farabow, Garrett & Dunner, LLP

(57) **CLAIM**

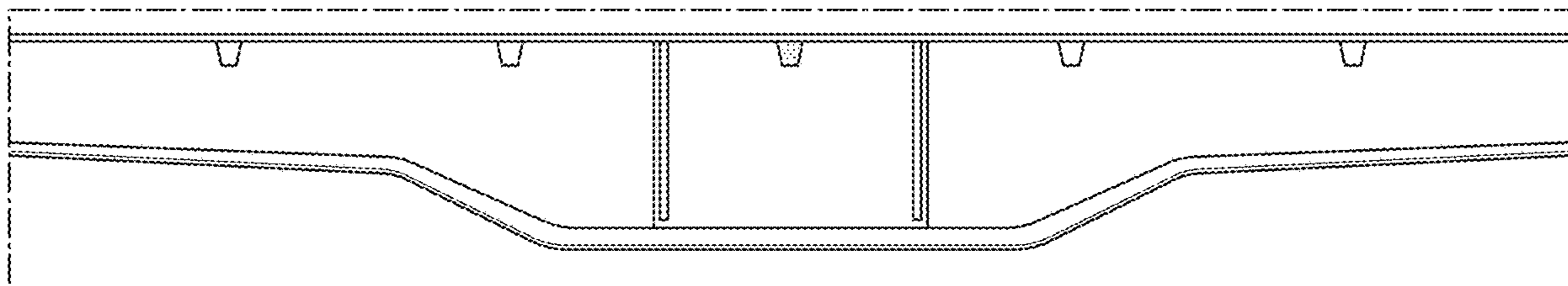
The ornamental design for a display screen with graphical user interface, as shown and described.

DESCRIPTION

FIG. 1 is a front view of a first embodiment of a display screen with a graphical user interface showing the new design in a landscape orientation; and, FIG. 2 is a front view of a second embodiment thereof in a portrait orientation.

The broken lines of uneven length shown in the drawings illustrate boundaries of a display screen and form no part of the claimed design.

1 Claim, 2 Drawing Sheets



(56)

References Cited

U.S. PATENT DOCUMENTS

D757,768 S * 5/2016 Pulfer D14/486
D792,431 S * 7/2017 Grassle G16H 40/67
D14/486
9,781,496 B2 10/2017 Conrad et al.
D810,119 S * 2/2018 Lee D14/487
D849,020 S 5/2019 Whitmore
D895,730 S * 9/2020 Nagelin D20/11
D901,497 S * 11/2020 Johnson D14/371
2004/0046796 A1 * 3/2004 Fujita G06F 3/0481
715/767
2009/0265657 A1 10/2009 Bamford et al.
2013/0179833 A1 * 7/2013 Stallings G06F 3/0482
715/810
2018/0321843 A1 11/2018 Giannotti et al.

* cited by examiner

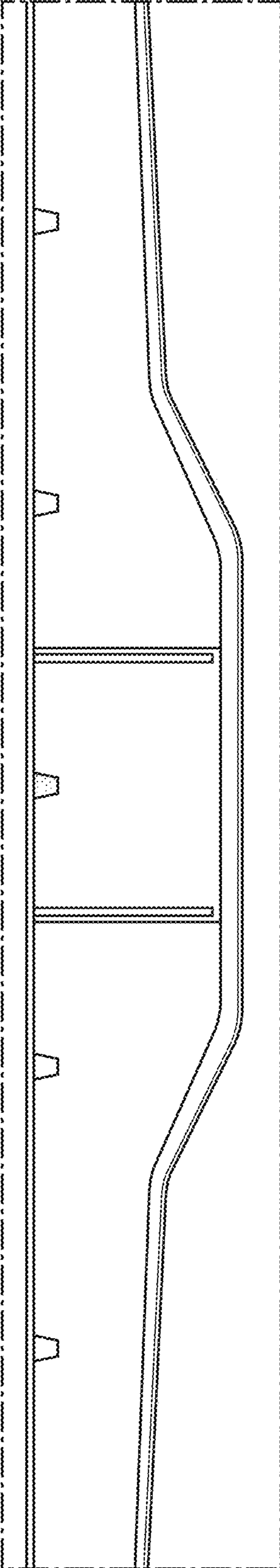


FIG. 1

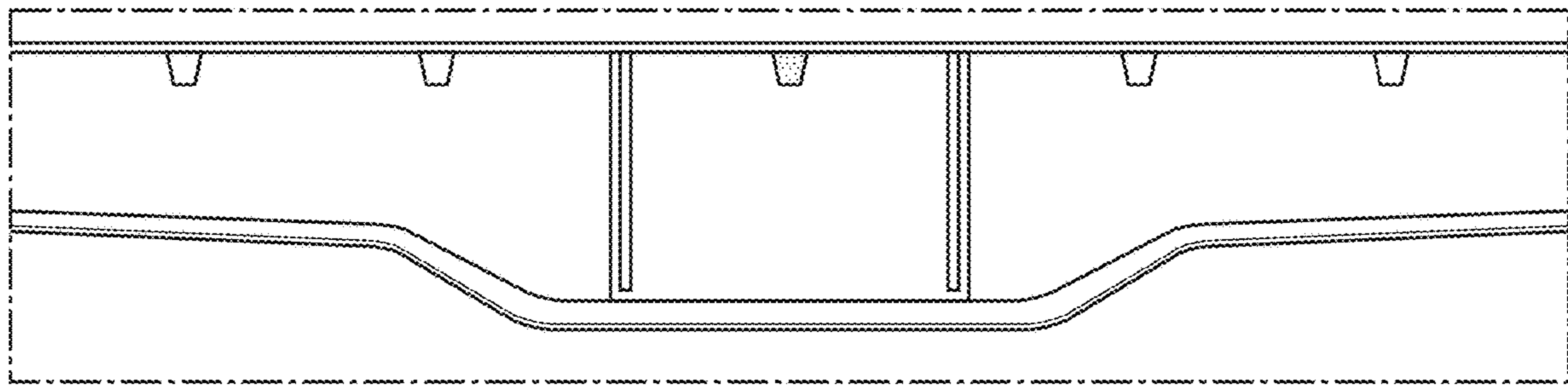


FIG. 2