



US00D919631S

(12) **United States Design Patent**
Shu

(10) **Patent No.:** **US D919,631 S**
(45) **Date of Patent:** **** May 18, 2021**

(54) **DUAL ARM MONITOR STAND**

FOREIGN PATENT DOCUMENTS

(71) Applicant: **Hua Shu**, Shenzen (CN)

EM 004693018-0014 * 3/2018

(72) Inventor: **Hua Shu**, Shenzen (CN)

OTHER PUBLICATIONS

(**) Term: **15 Years**

Amazon. Link: https://www.amazon.com/dp/B085Y4HW8S/ref=cm_sw_em_r_mt_dp_uYc0FbR1D5CGM?_encoding=UTF8&psc=1 1/10. Apr. 1, 2020. ErGear 17"-32" Dual Monitor Desk Mount Stand Kit. (Year: 2020).*

(21) Appl. No.: **29/734,965**

(22) Filed: **May 17, 2020**

(Continued)

(51) **LOC (13) Cl.** **14-02**

(52) **U.S. Cl.**
USPC **D14/452**

(58) **Field of Classification Search**

USPC D14/447-452, 239, 371, 372, 373, 374,
D14/125, 127, 128, 129, 335-337, 375,
D14/377, 341, 126; D8/355, 363, 373;
D6/672, 682

CPC F16M 11/2085; F16M 11/2092; F16M
11/2007; F16M 11/2014; F16M 11/2021;
F16M 11/105; F16M 11/10; F16M
11/048; F16M 11/12; F16M 13/022

See application file for complete search history.

Primary Examiner — Lauren D McVey

(57) **CLAIM**

The ornamental design for a dual arm monitor stand, as shown and described.

DESCRIPTION

FIG. 1 is a perspective view of a dual arm monitor stand showing my new design in a first configuration; FIG. 2 is a front view of the dual arm monitor stand in a second configuration; FIG. 3 is a side view of the dual arm monitor stand in a third configuration; FIG. 4 is a front elevational view of the dual arm monitor stand shown in FIG. 1; FIG. 5 is a rear elevational view thereof; FIG. 6 is a left side elevational view thereof; FIG. 7 is a right side elevational view thereof; FIG. 8 is a top plan view thereof; and, FIG. 9 is a bottom plan view thereof.

The broken lines immediately adjacent to the claim depict the bounds of the claimed design, while all other broken lines are directed to environment. The broken lines form no part of the claimed design. The wire frame lines shown throughout the views indicate surface contour.

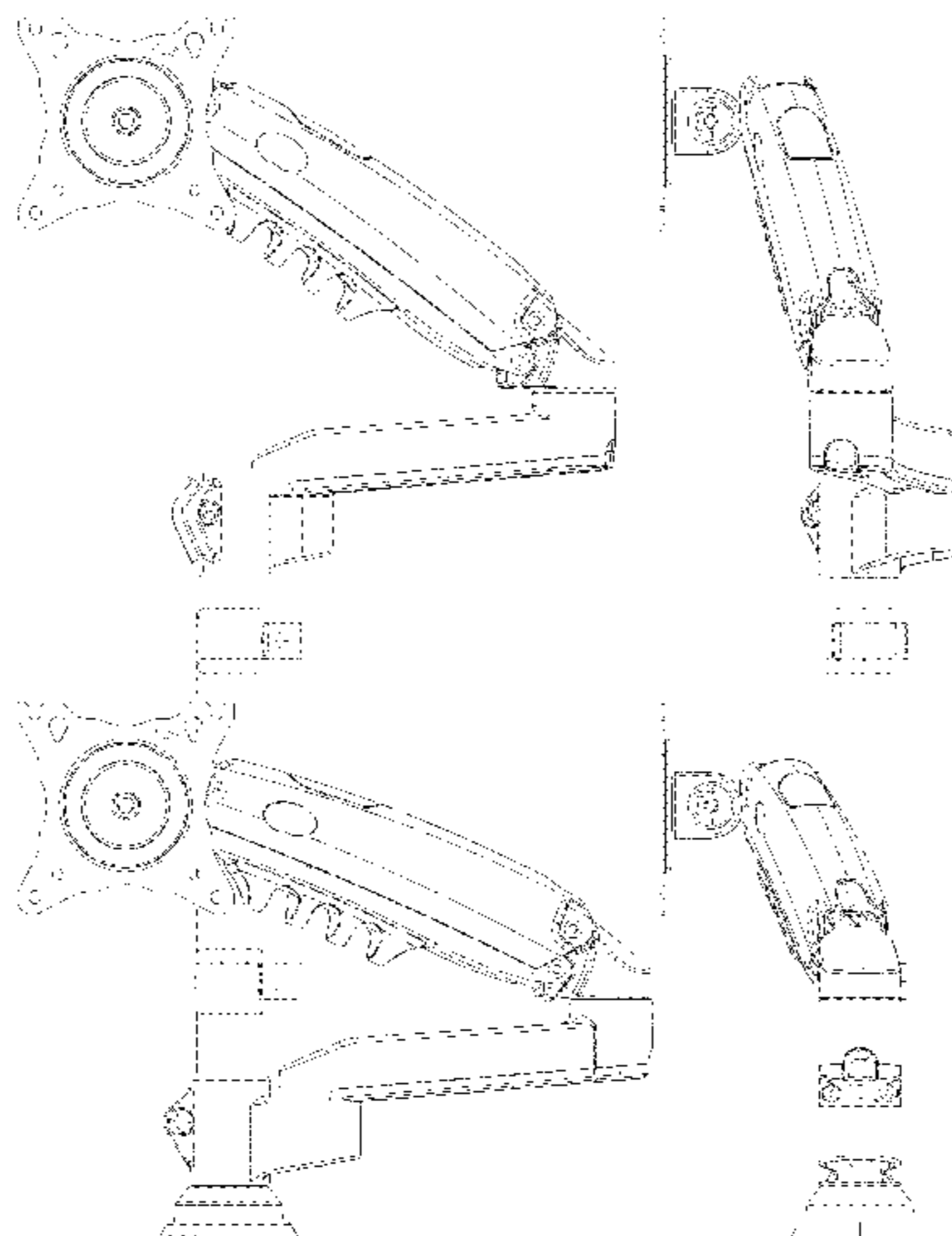
(56) **References Cited**

U.S. PATENT DOCUMENTS

D621,842 S	8/2010	Sapper	
D640,709 S	6/2011	Stoelinga	
8,070,114 B2 *	12/2011	Chen	F16M 11/14 248/121
RE43,921 E *	1/2013	Smed	F16M 11/10 248/274.1
D679,282 S *	4/2013	Liu	D14/452
9,033,292 B2 *	5/2015	Lu	F16M 11/2014 248/123.11
9,746,128 B2 *	8/2017	Huang	F16M 11/22
9,797,544 B1 *	10/2017	Smed	F16M 11/2085
10,349,739 B2 *	7/2019	Corbo	A47B 21/04
10,520,131 B2 *	12/2019	Burke	F16M 11/045
D872,067 S *	1/2020	Knapp	D14/239
D872,719 S *	1/2020	Knapp	D14/239
2011/0079692 A1 *	4/2011	Li	F16M 13/022 248/220.21

(Continued)

1 Claim, 9 Drawing Sheets



(56)

References Cited

U.S. PATENT DOCUMENTS

2012/0025037 A1* 2/2012 Chang F16M 11/2014
248/124.1
2016/0352054 A1* 12/2016 Xiang F16M 11/2007

OTHER PUBLICATIONS

Amazon. Link: https://www.amazon.com/dp/B0855ZBPXD/ref=cm_sw_em_r_mt_dp_zqr3FbQAA2591. Apr. 22, 2020. HUANUO Dual Monitor Stand—Height Adjustable Gas Spring Double Arm Monitor Mount. (Year: 2020).*

* cited by examiner

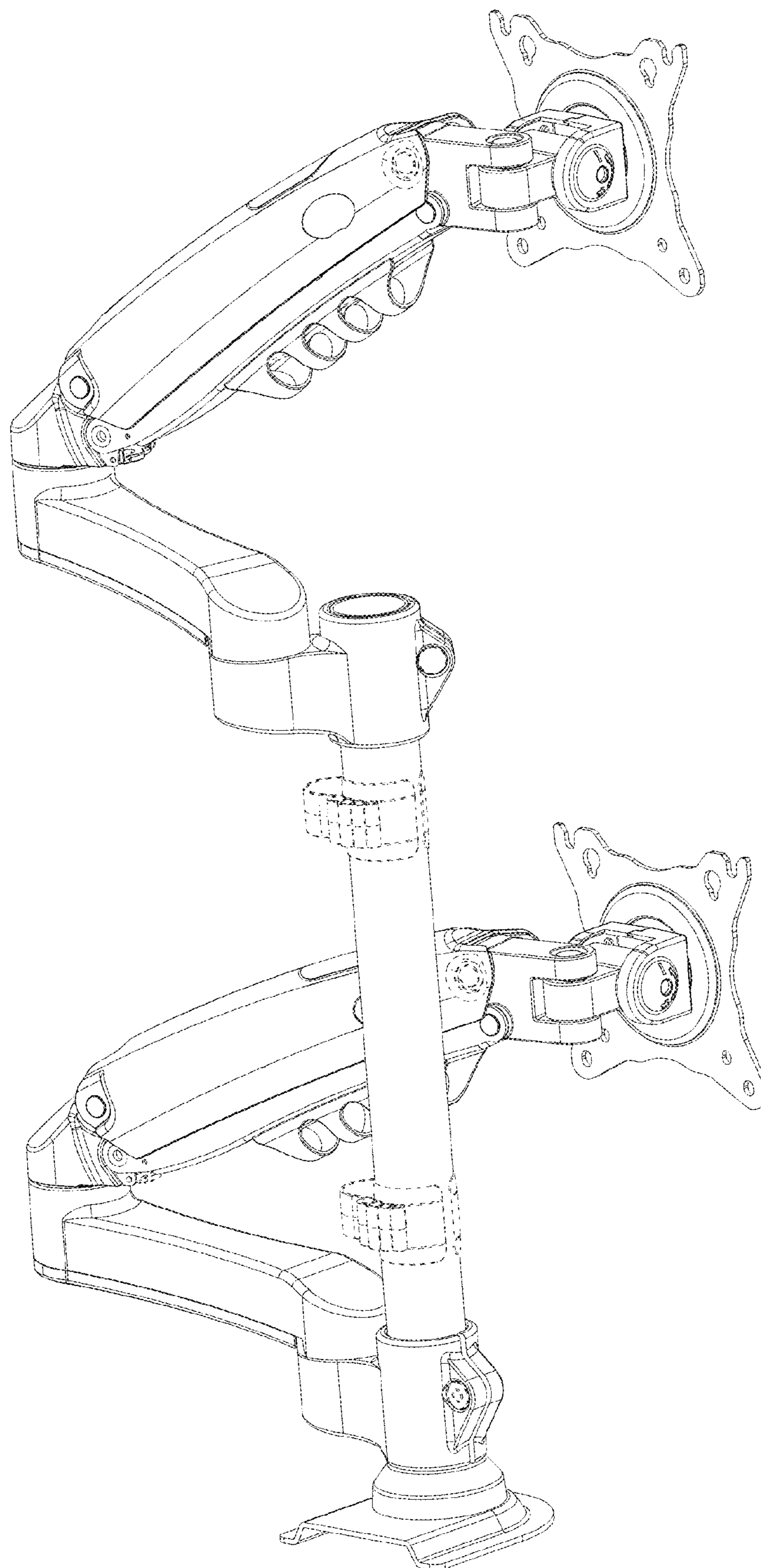


FIG. 1

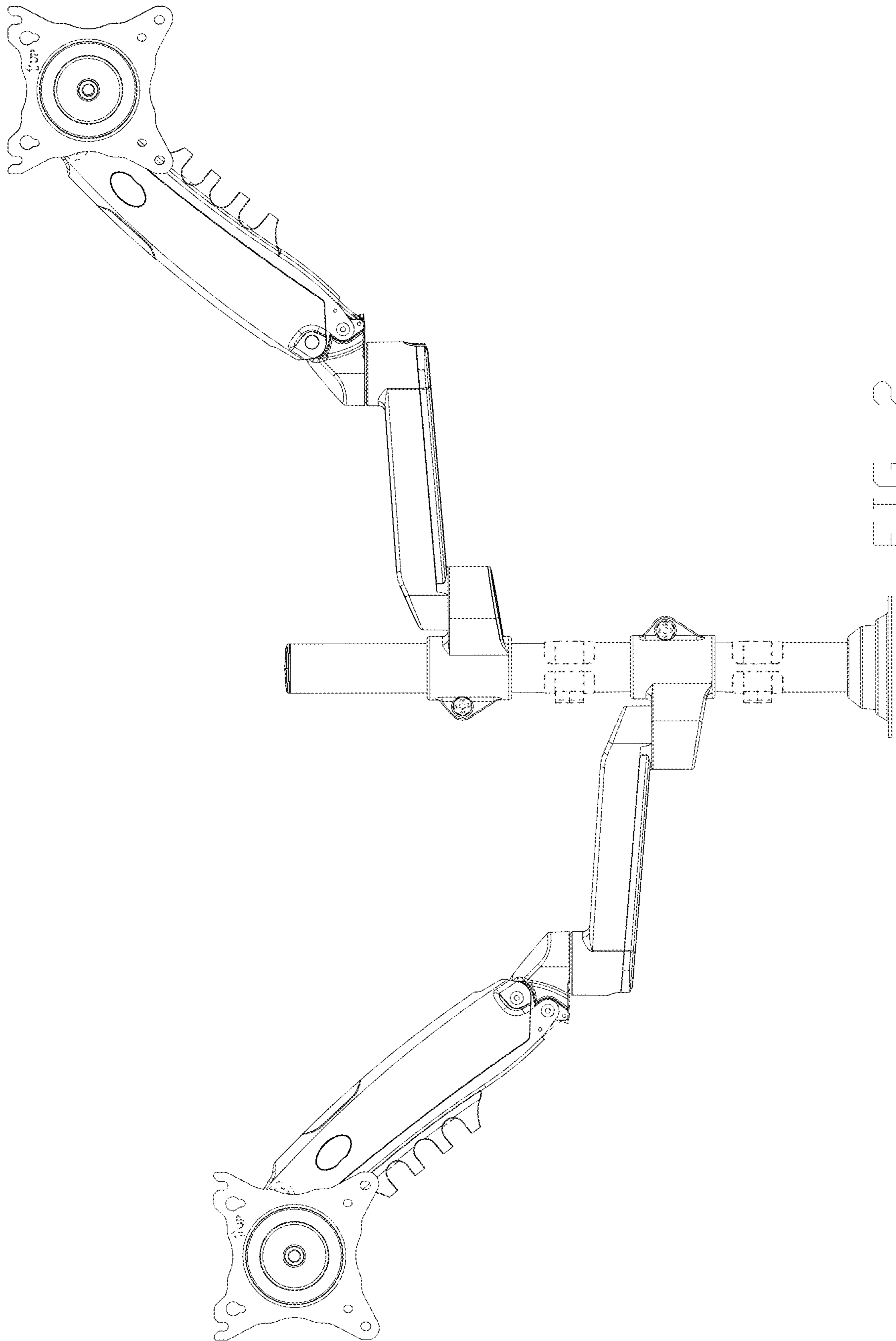


FIG. 2

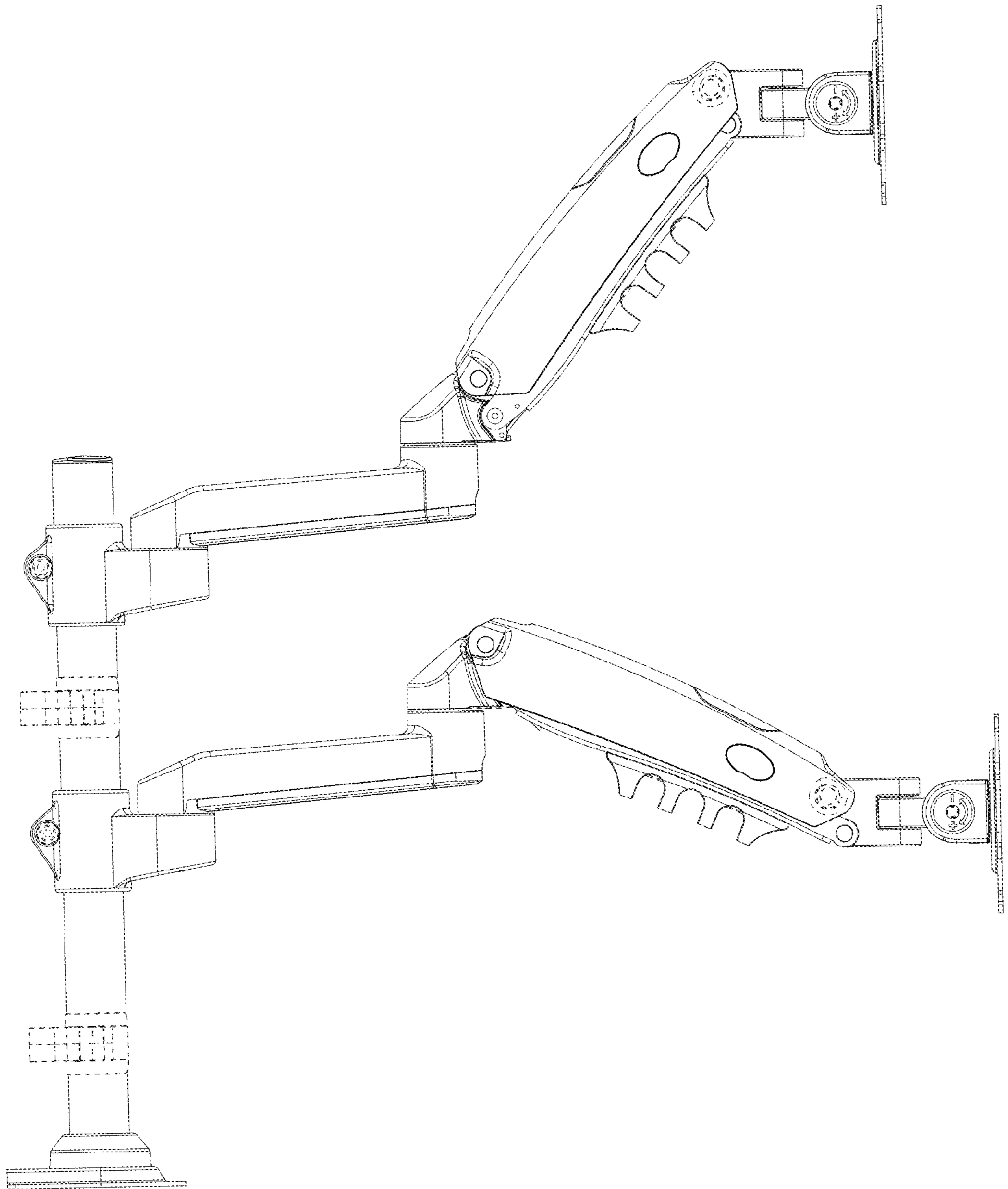


FIG. 3

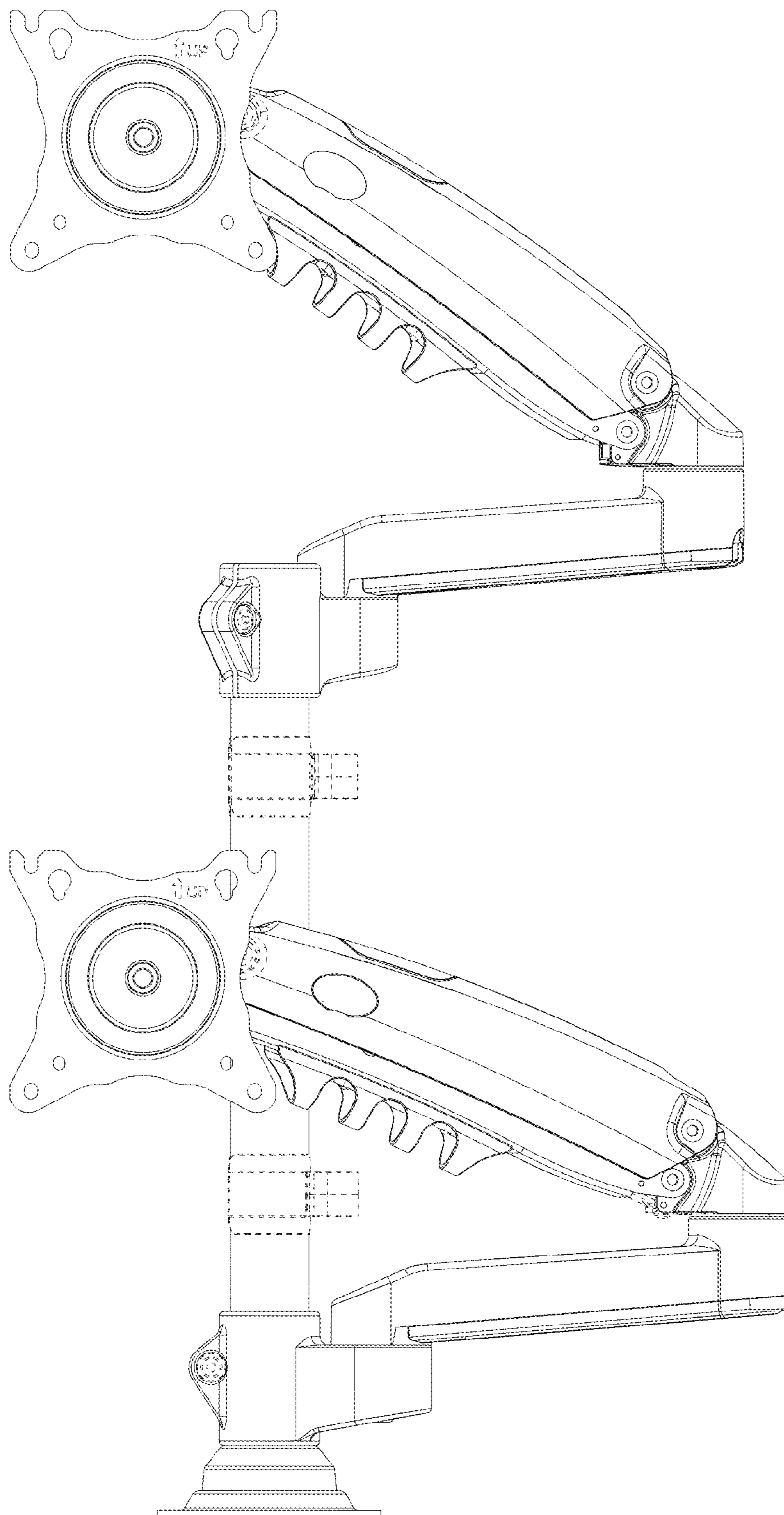


FIG. 4

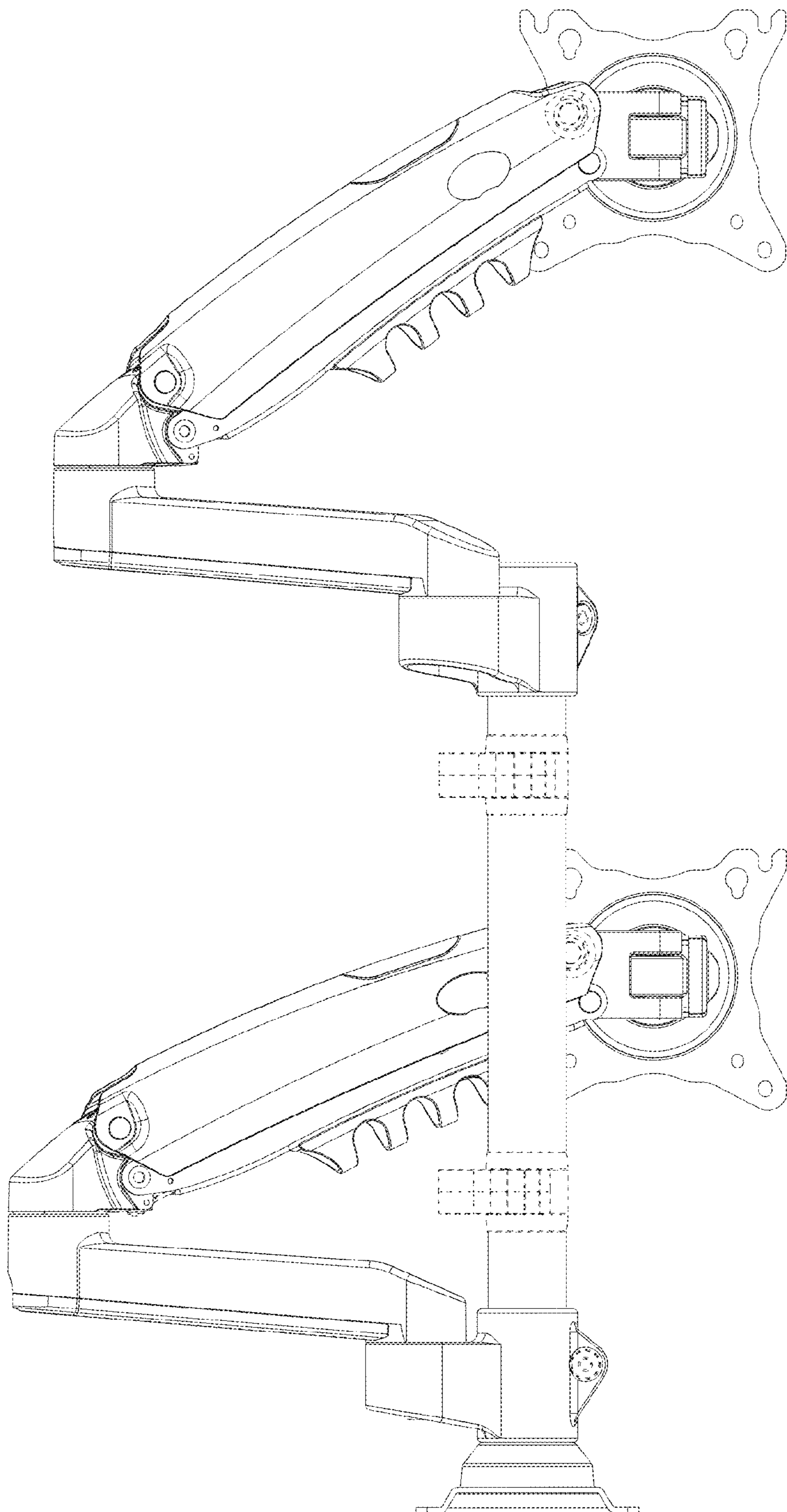


FIG. 5

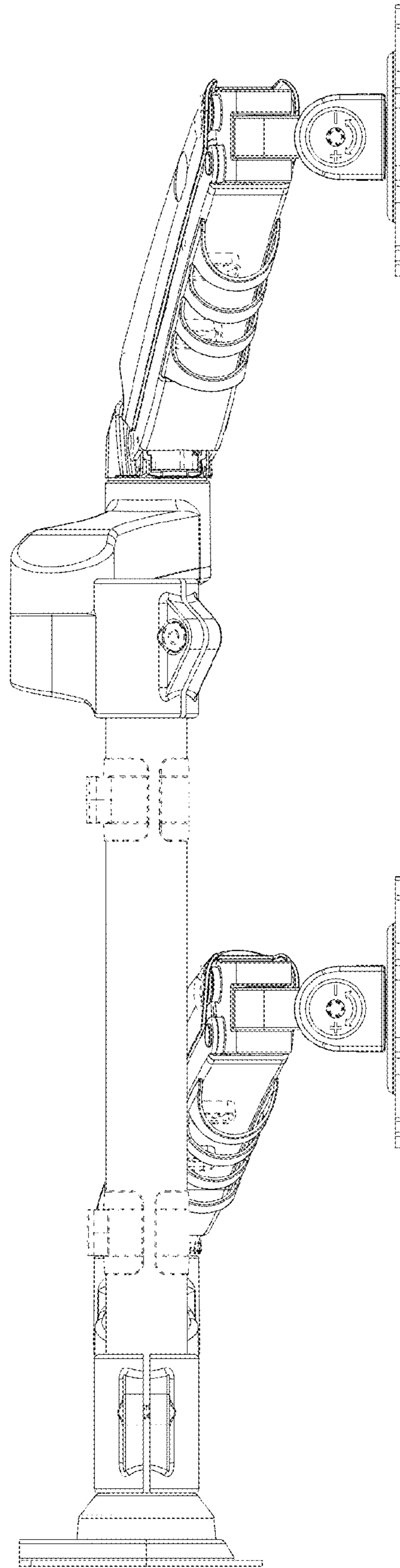


FIG. 6

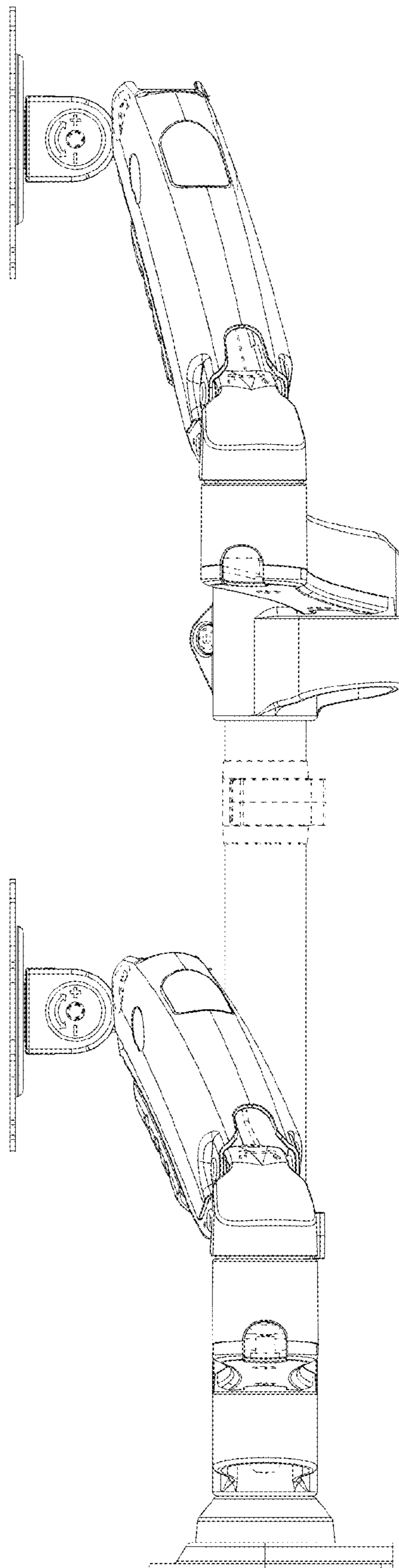


FIG 7

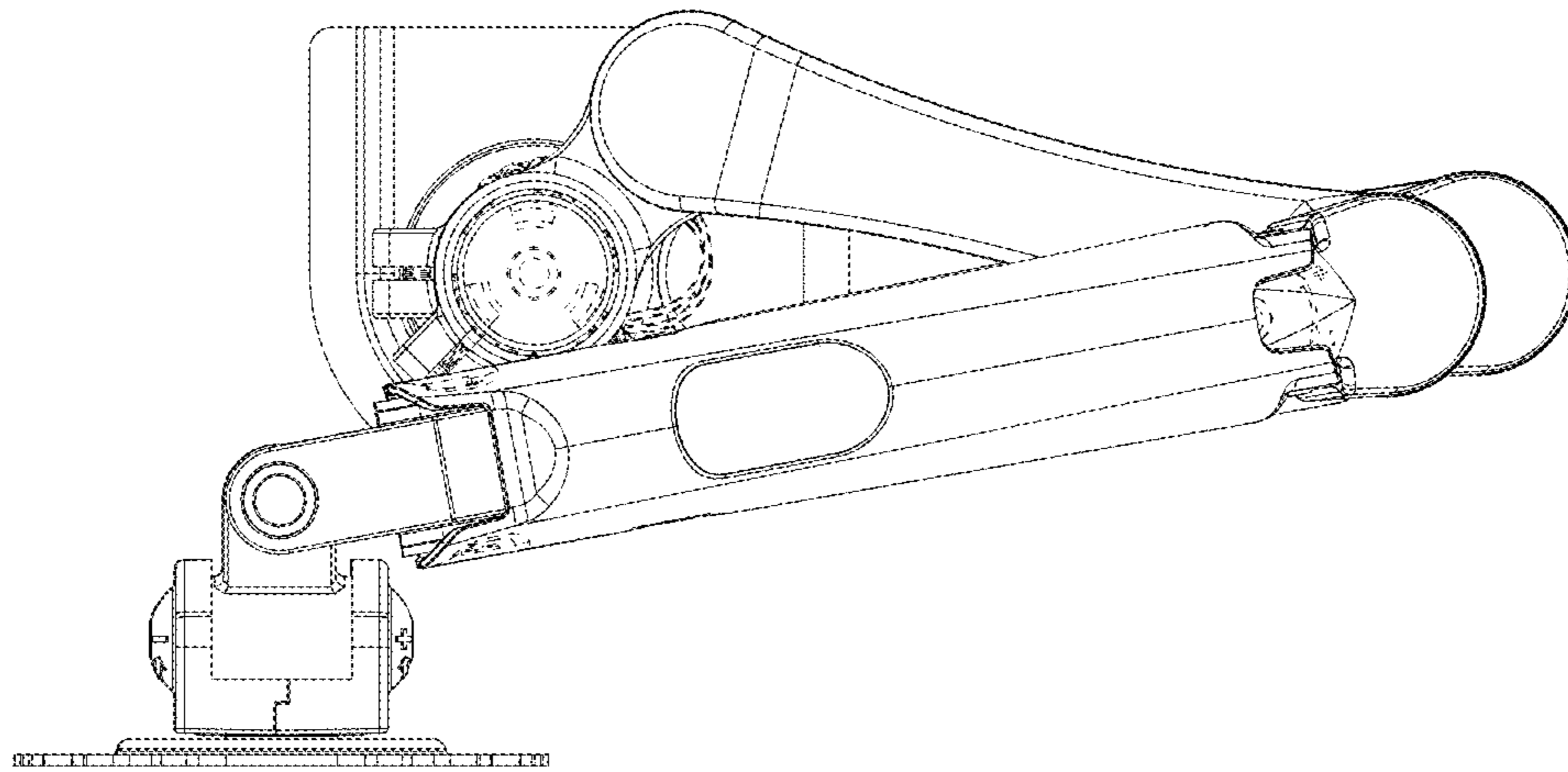


FIG. 8

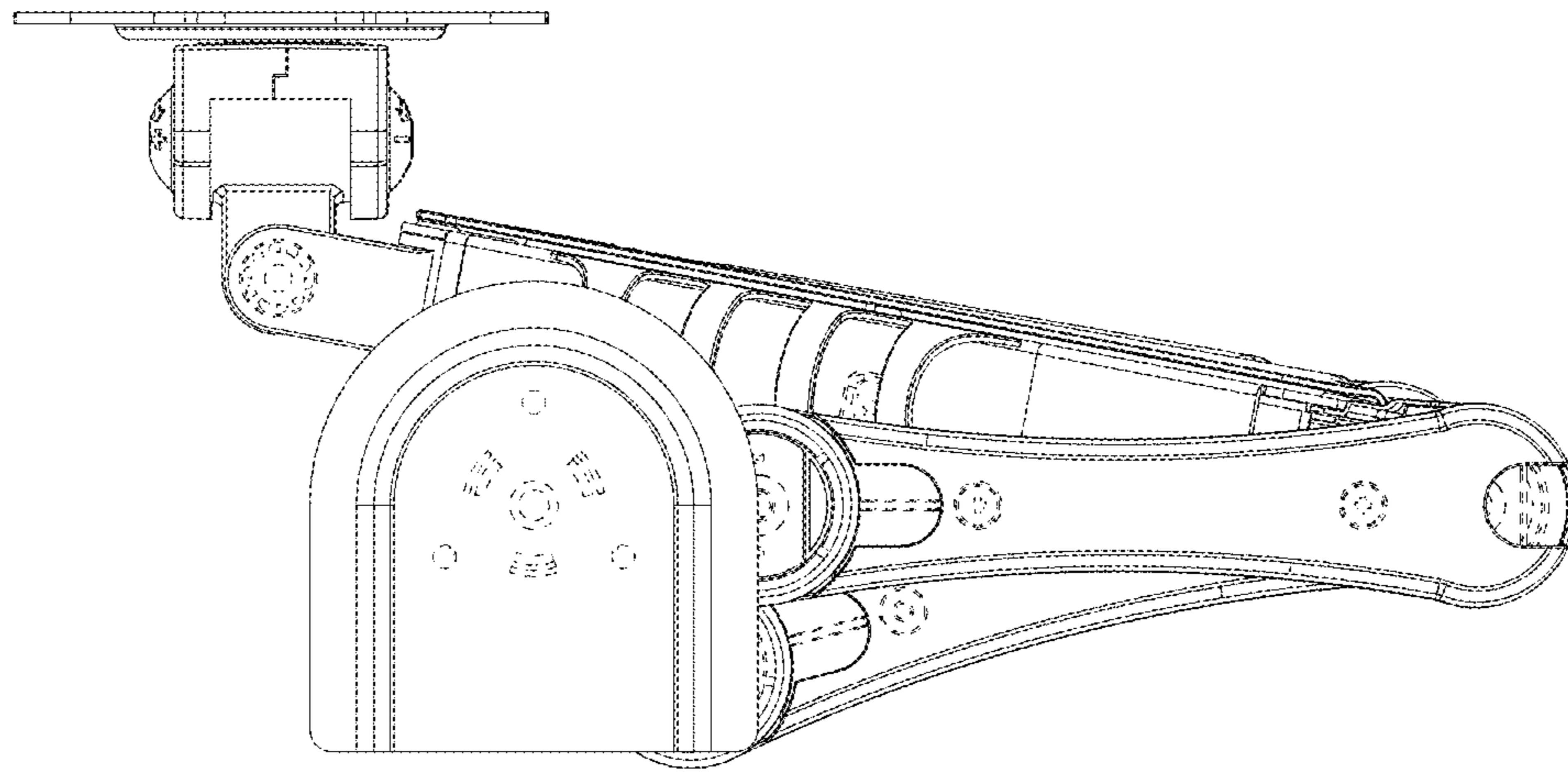


FIG. 9