



US00D919630S

(12) **United States Design Patent** (10) **Patent No.:** **US D919,630 S**
Lyu (45) **Date of Patent:** **** May 18, 2021**

(54) **MONITOR STAND**

(71) Applicant: **Yaqi Lyu**, Shenzen (CN)
(72) Inventor: **Yaqi Lyu**, Shenzen (CN)
(**) Term: **15 Years**
(21) Appl. No.: **29/730,885**
(22) Filed: **Apr. 9, 2020**
(51) **LOC (13) Cl.** **14-02**
(52) **U.S. Cl.**
USPC **D14/451**
(58) **Field of Classification Search**
USPC D14/371-382, 125-129, 336, 337,
D14/447-452, 492, 335, 376-382, 239,
D14/457, 439-441, 432, 251-253;
D8/349, 354, 363, 373, 376, 380;
D21/333; D12/415; D3/218; 348/180,
348/184, 325, 739, 825
CPC G06F 3/0412; G06F 3/016; G06F 3/0488;
G06F 3/011; G06F 3/038; G06F 3/03543;
G06F 3/0338; G06F 3/0202; G06F
3/0219; G06F 3/0213; G06F 1/1616;
G06F 3/023; G06F 3/04883; G02F
1/13338; G02F 1/1313; G02F 1/1333;
G02F 1/135; G02F 1/132; G02F
1/133308; G02F 1/134309; G02F
1/13718; G09G 3/3648; G06K 15/1252;
G03F 7/70291; F16M 13/02; F16M
13/00; F16M 11/10; F16M 11/04; F16M
2200/08; F16M 11/2021; A47B 21/0314;
A47B 88/044; A47B 2021/0335; H02G
3/126; A47G 1/17; F16B 47/004; F16B
47/006; A47K 2201/00; B41J 2/465;
G02B 27/0172; G02B 5/30; G02B
2027/0118; G02B 27/0101

See application file for complete search history.

(56) **References Cited**

U.S. PATENT DOCUMENTS

D528,901	S	*	9/2006	David	D8/373
7,195,214	B2	*	3/2007	Lee	F16M 11/08 248/125.8
7,891,622	B1	*	2/2011	O'Keene	F16M 11/18 248/292.13
D836,091	S	*	12/2018	Shu	D14/239
D837,225	S	*	1/2019	Russell	D14/452
D842,283	S	*	3/2019	Pei	D14/239
D848,989	S	*	5/2019	Pei	D14/239
D853,403	S	*	7/2019	Lyu	D14/451
D853,404	S	*	7/2019	Bowman	D14/452
D877,743	S	*	3/2020	Pei	D14/451
D877,745	S	*	3/2020	Knapp	D14/452
D895,635	S	*	9/2020	Sitoh	D14/452
D901,514	S	*	11/2020	Knapp	D14/452

* cited by examiner

Primary Examiner — Katie Jane Stofko

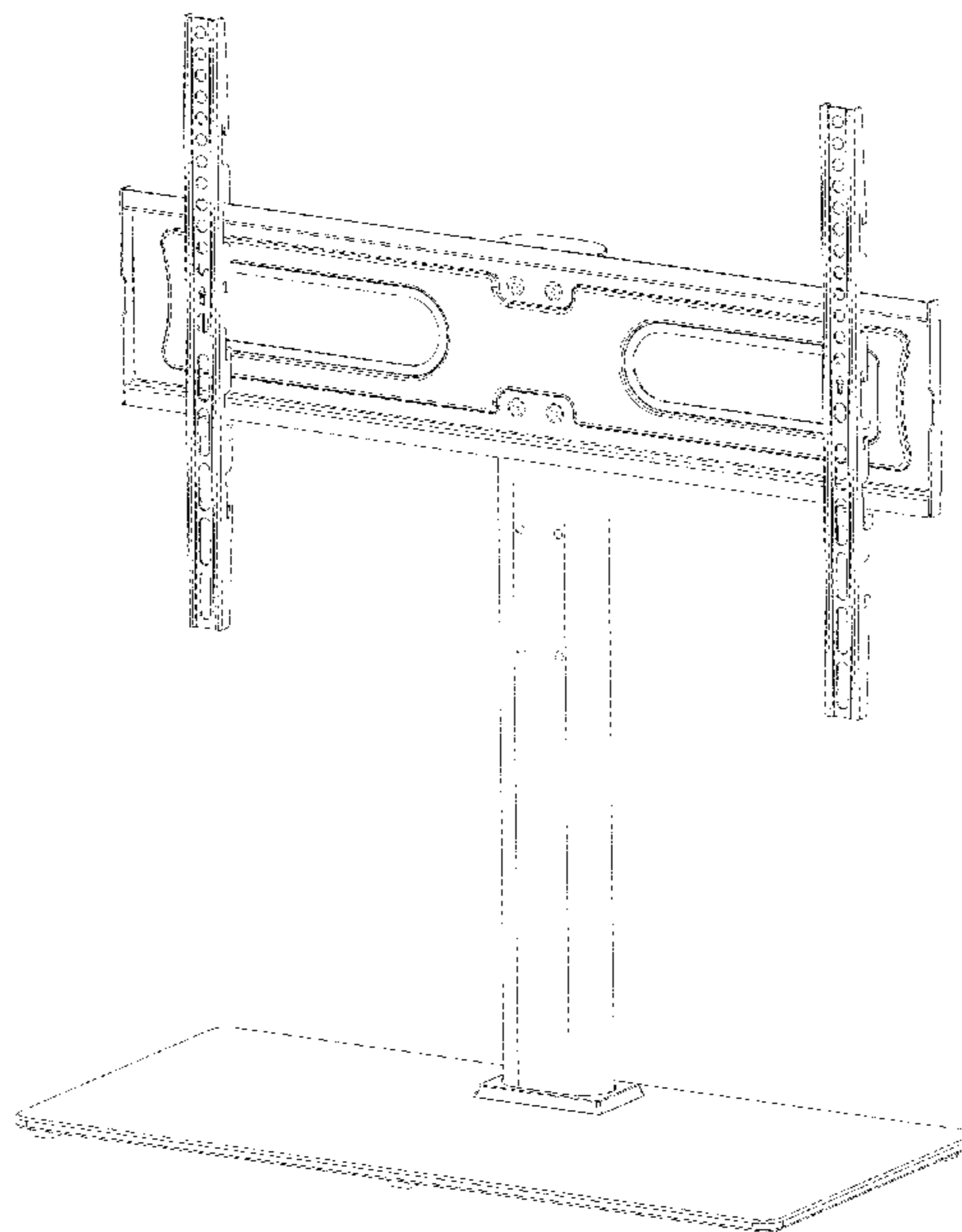
(57) **CLAIM**

The ornamental design for a monitor stand, as shown and described.

DESCRIPTION

FIG. 1 is a perspective view of a monitor stand showing my new design;
FIG. 2 is a front elevation view of FIG. 1;
FIG. 3 is a rear elevation view thereof;
FIG. 4 is a left side elevation view thereof;
FIG. 5 is a right side elevation view thereof;
FIG. 6 is a top plan view thereof; and,
FIG. 7 is a bottom plan view thereof.
The broken lines in the drawings illustrate portions of the monitor stand that form no part of the claimed design.

1 Claim, 7 Drawing Sheets



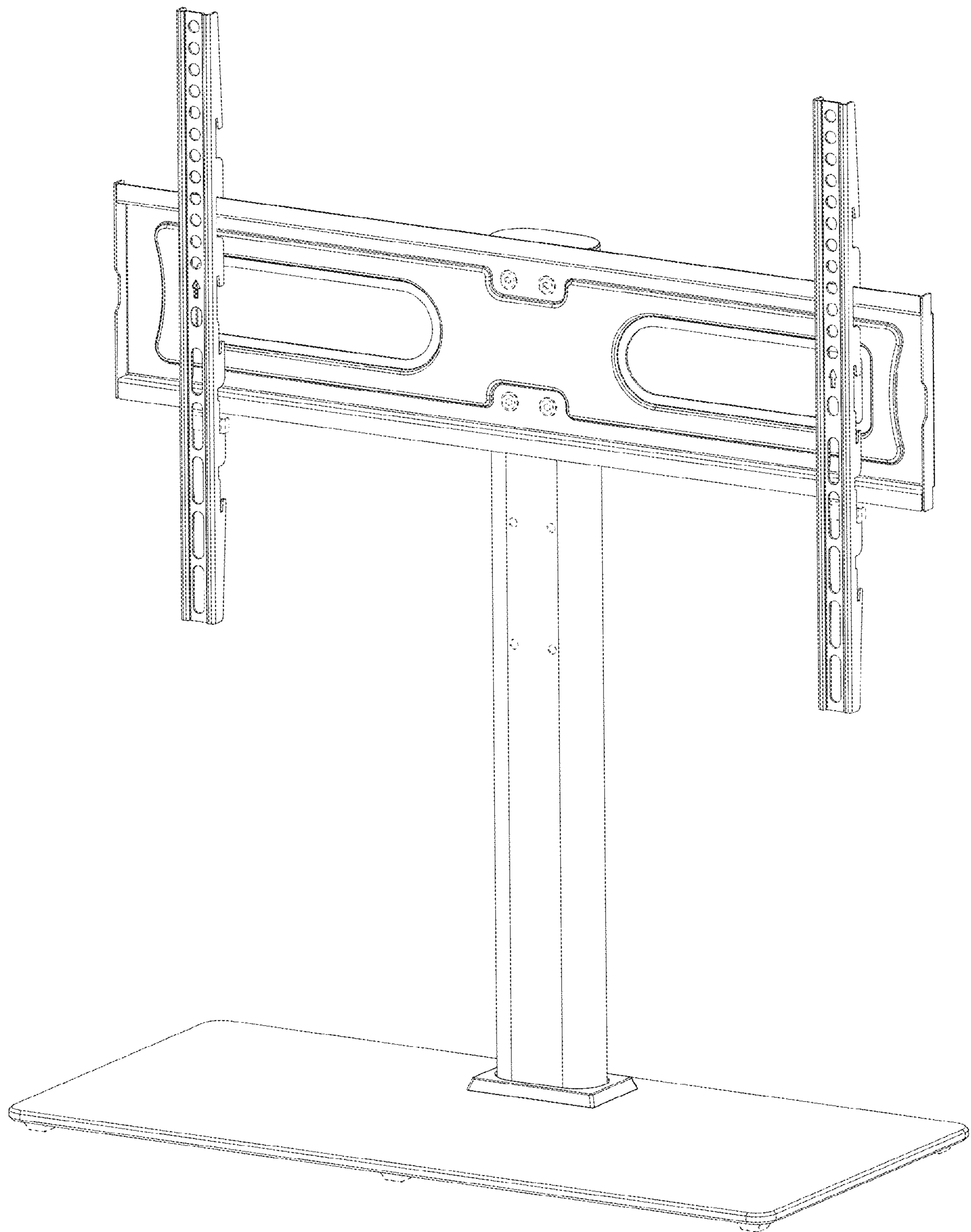


FIG. 1

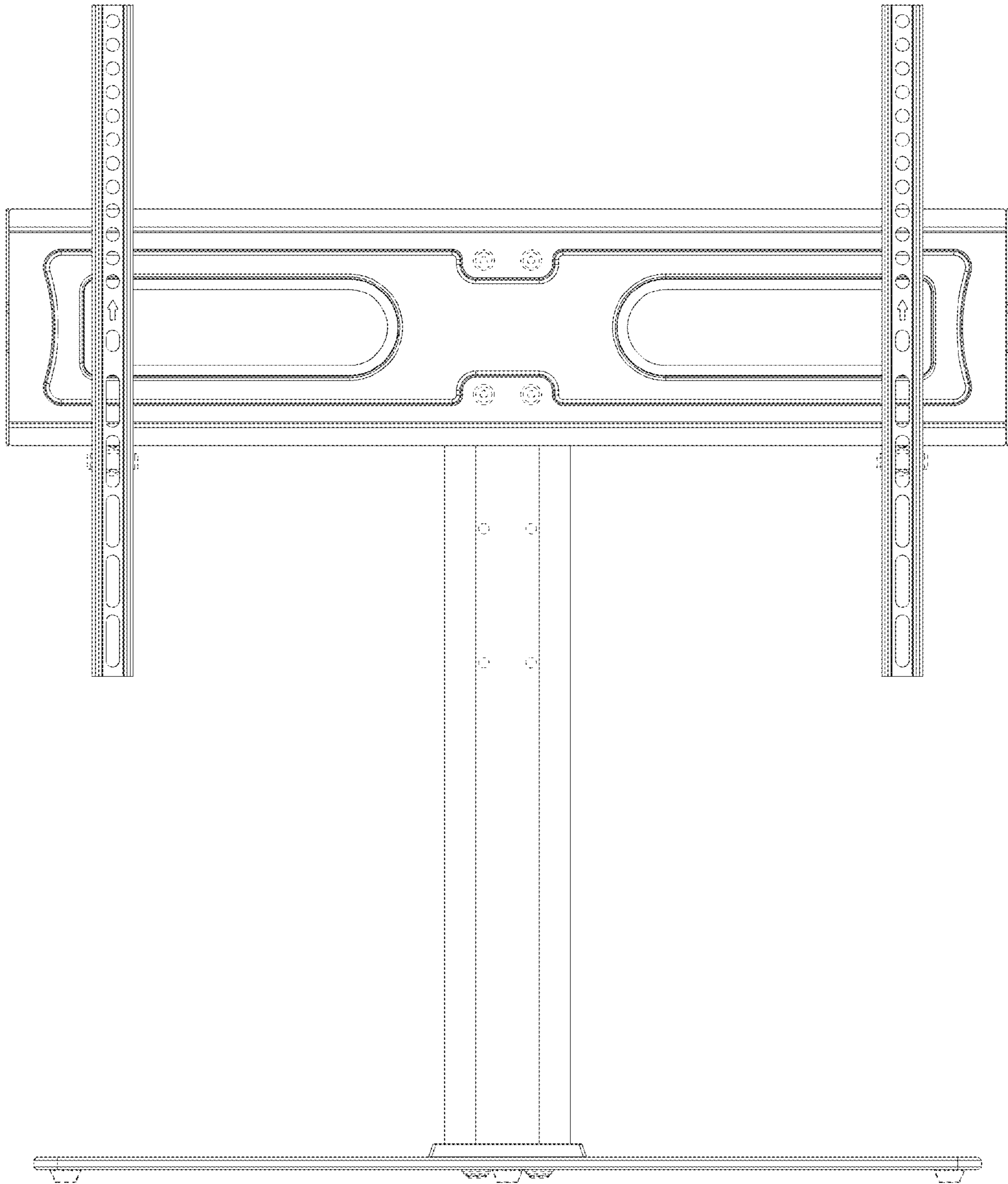


FIG. 2

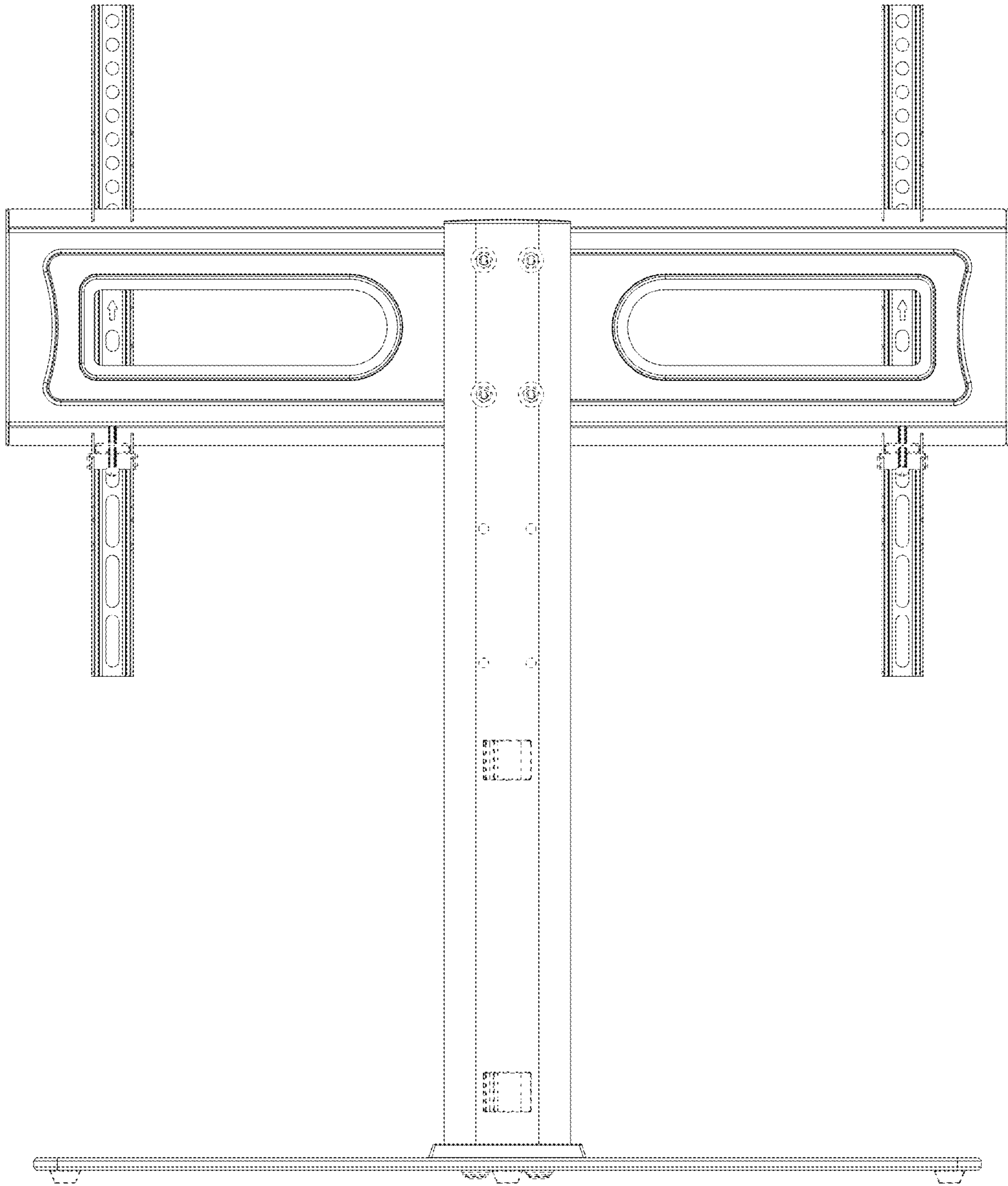


FIG. 3

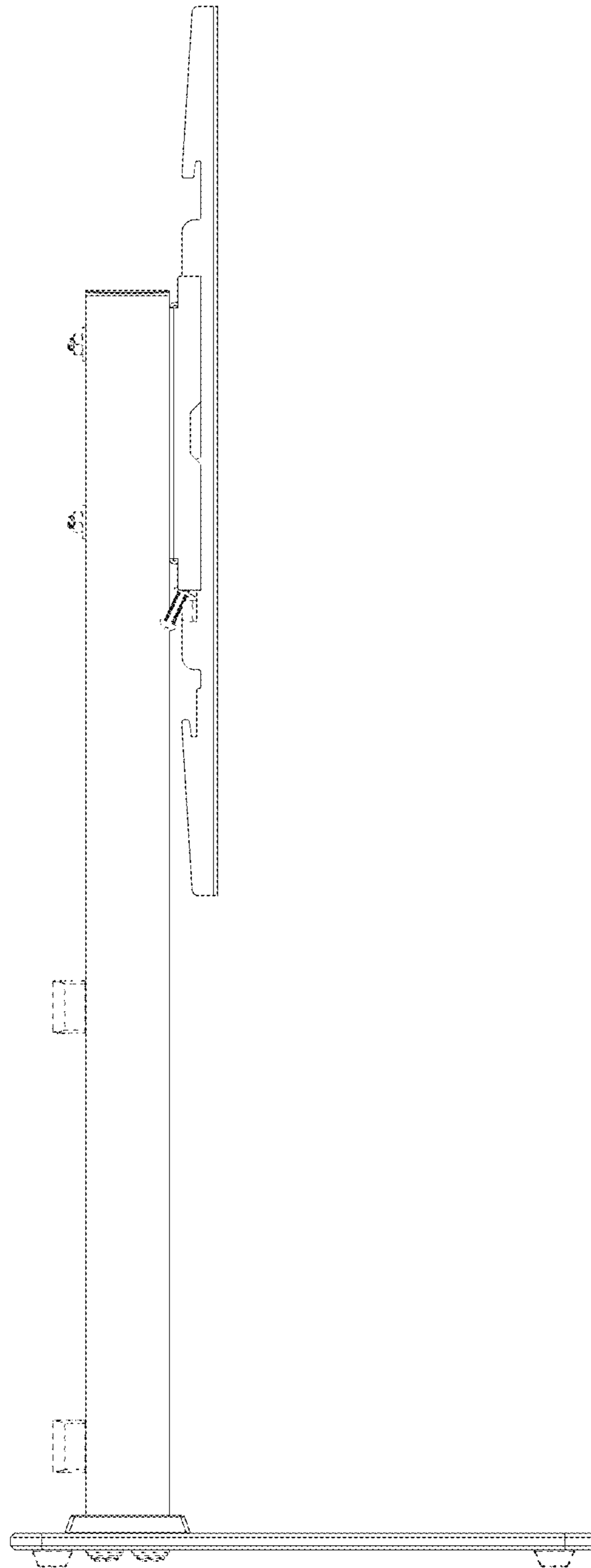


FIG. 4

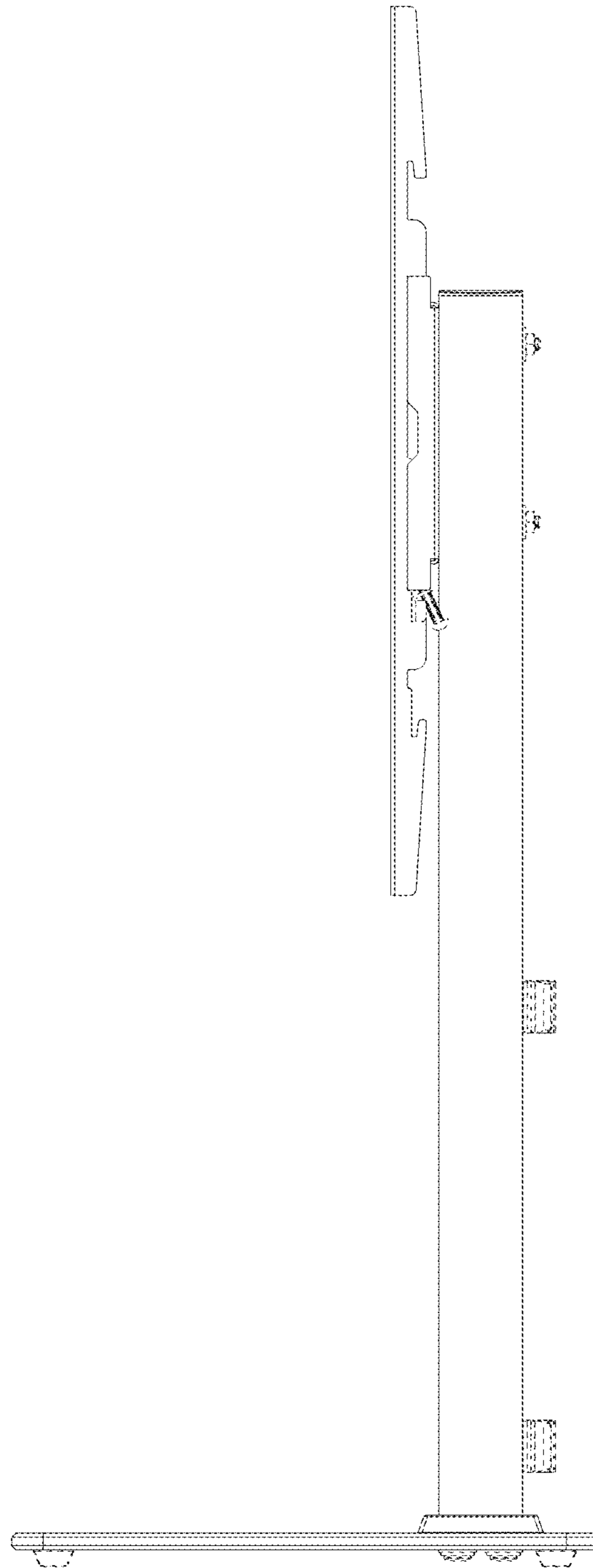


FIG. 5

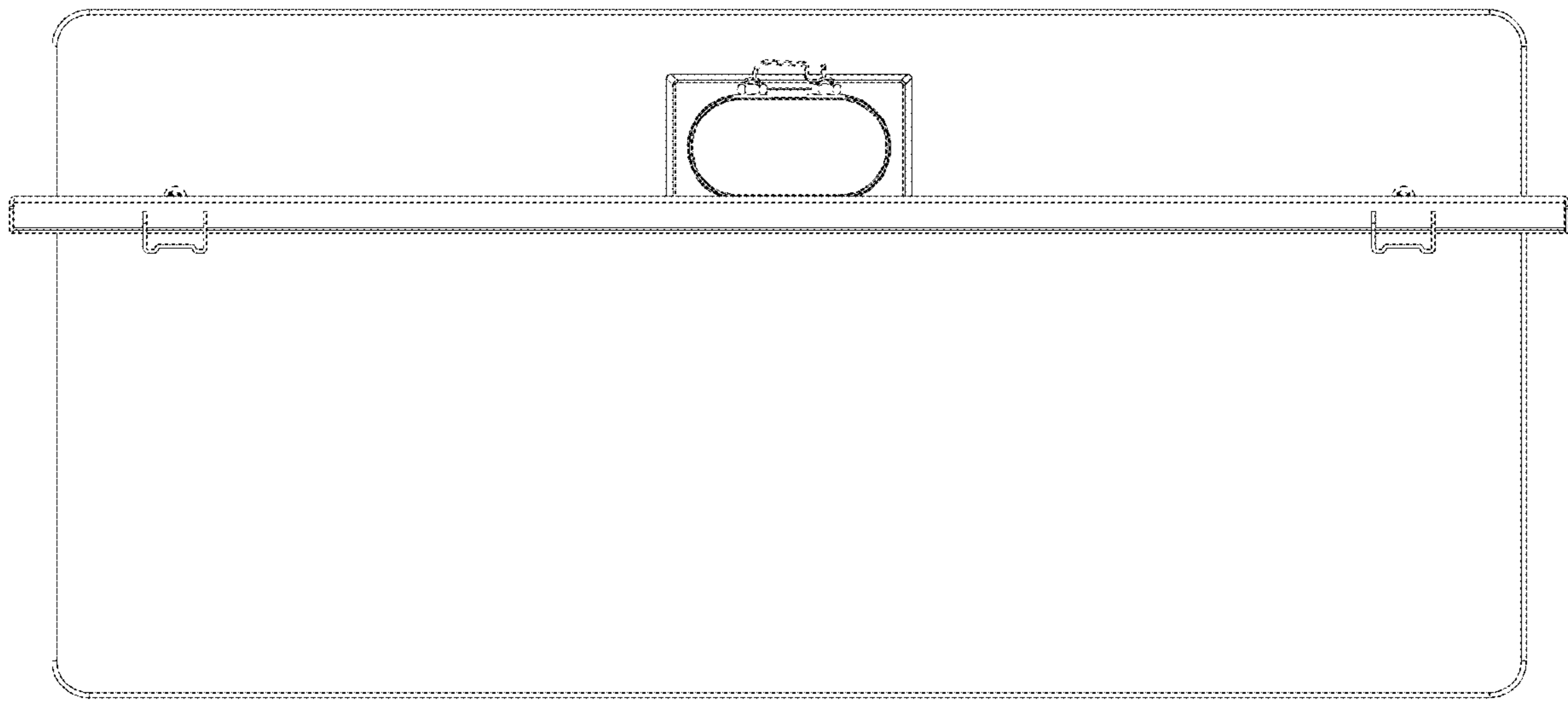


FIG. 6

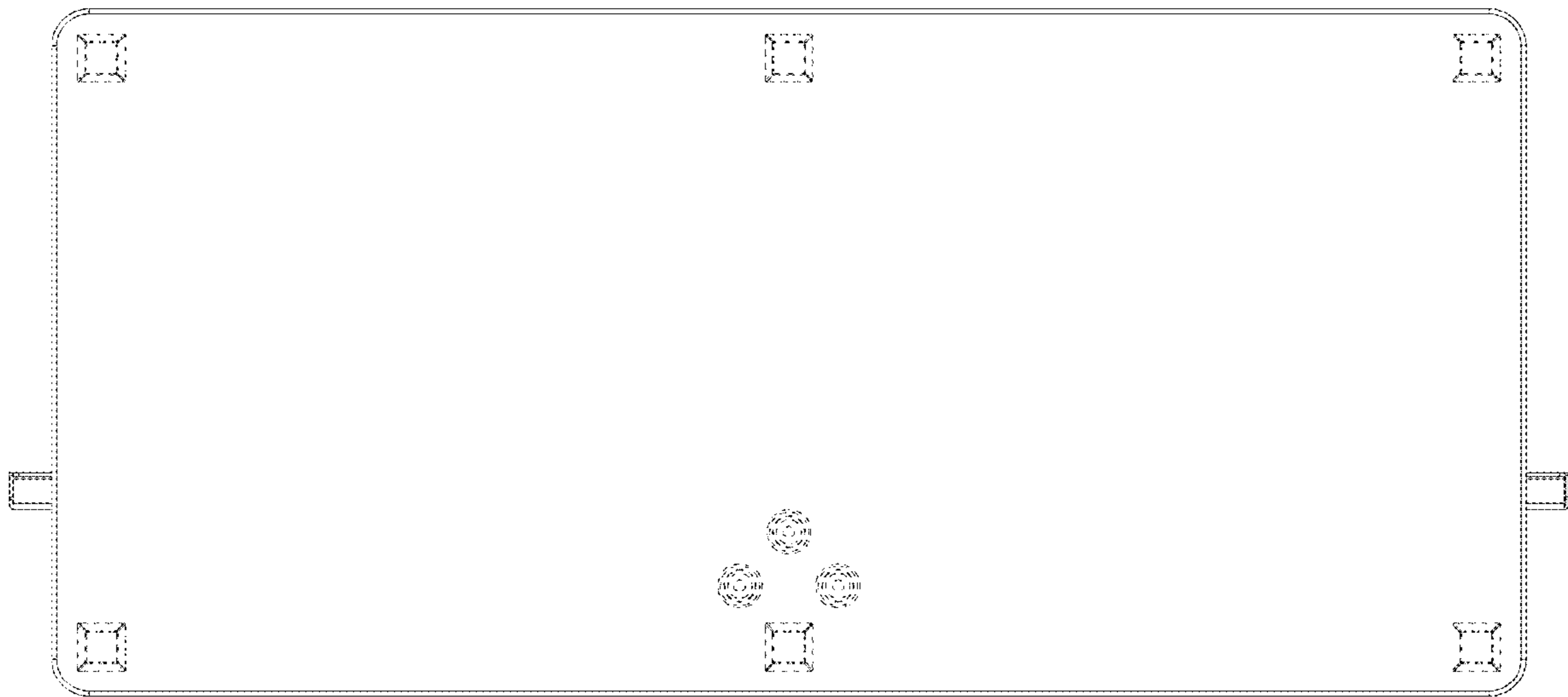


FIG. 7