



US00D919629S

(12) **United States Design Patent**
Liu et al.

(10) **Patent No.:** **US D919,629 S**
(45) **Date of Patent:** **** May 18, 2021**

- (54) **CONTROL ENCLOSURE**
- (71) Applicant: **Honeywell International Inc.**, Morris Plains, NJ (US)
- (72) Inventors: **Tom Liu**, Shanghai (CN); **Yu Yan**, Shanghai (CN); **Jasen Cao**, Shanghai (CN)
- (73) Assignee: **Honeywell International Inc.**, Charlotte, NC (US)
- (**) Term: **15 Years**
- (21) Appl. No.: **29/741,625**
- (22) Filed: **Jul. 14, 2020**

- D437,591 S 2/2001 Sato
- D455,746 S * 4/2002 Ronzani D14/344
- D524,046 S * 7/2006 Pangerc D3/273
- D589,486 S * 3/2009 He D14/138 AB
- D598,440 S 8/2009 Alfonso et al.
- D598,448 S 8/2009 Lauffer et al.
- 7,594,576 B2 * 9/2009 Chen G06F 1/1628
206/305
- D606,305 S * 12/2009 Lee D3/269
- D613,054 S * 4/2010 Morszeck D3/205
- D641,879 S 7/2011 Ishihara
- D648,332 S * 11/2011 Kim D14/248
- D653,449 S * 2/2012 Aigle D3/295
- D669,269 S * 10/2012 Fair D3/301
- D683,340 S * 5/2013 Chang D14/250
- 8,542,495 B1 * 9/2013 Gorman G06F 1/1656
361/752
- D690,694 S 10/2013 Utsuki et al.
- D717,304 S * 11/2014 Yturralde D14/420
- D733,134 S 6/2015 Utsuki et al.
- D765,073 S 8/2016 Niizawa

Related U.S. Application Data

- (62) Division of application No. 29/642,591, filed on Mar. 30, 2018, now Pat. No. Des. 890,169.
- (51) **LOC (13) Cl.** **14-02**
- (52) **U.S. Cl.**
USPC **D14/440**; D14/388
- (58) **Field of Classification Search**
USPC D14/440, 447, 250, 439; 206/45.23, 320,
206/45.2; 361/679.55; 294/25; 224/218;
455/575.8
CPC ... G06F 1/1628; G06F 1/1626; A47B 23/044;
H04B 1/3888; A45C 11/00
See application file for complete search history.

Primary Examiner — Cynthia R Underwood
(74) *Attorney, Agent, or Firm* — Brooks, Cameron & Huebsch, PLLC

(57) **CLAIM**

The ornamental design for a control enclosure, as shown and described.

DESCRIPTION

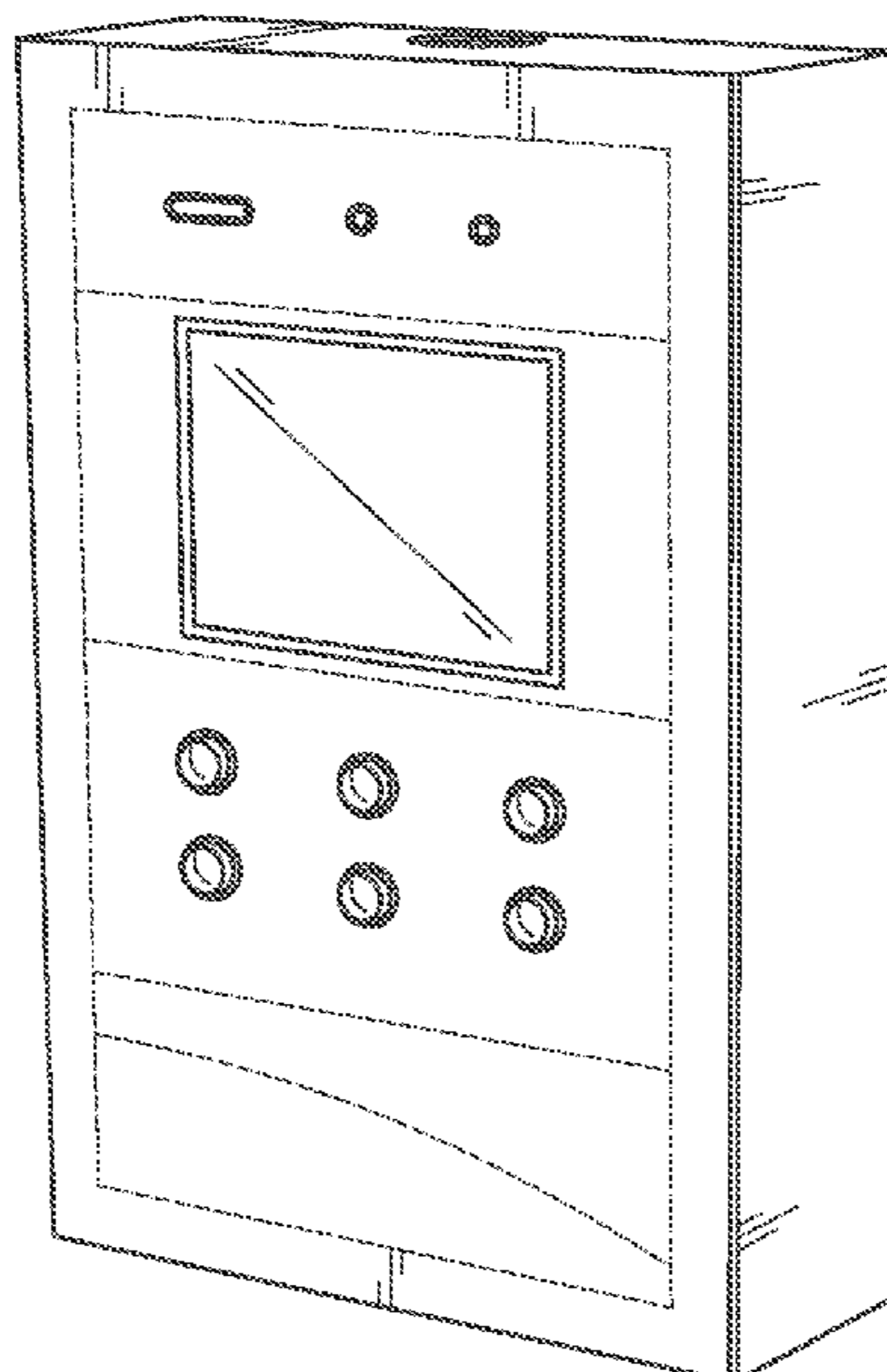
FIG. 1 is a perspective view of the control enclosure; FIG. 2 is a front elevation view thereof; the rear forming no part of the claim; FIG. 3 is a left side elevation view thereof, the right side elevation view being a mirror image thereof. FIG. 4 is a top plan view thereof; and, FIG. 5 is a bottom plan view thereof. The broken lines in the drawings depict subject matter of the control enclosure that forms no part of the claimed design.

1 Claim, 3 Drawing Sheets

(56) **References Cited**

U.S. PATENT DOCUMENTS

- D243,861 S * 3/1977 Akazawa D14/137
- 5,080,155 A * 1/1992 Crozier B65D 33/00
150/154
- D379,809 S * 6/1997 Lindeman D14/137
- D391,224 S * 2/1998 Schumacher D13/103



(56)

References Cited

U.S. PATENT DOCUMENTS

D783,595	S	4/2017	Lin	
D801,965	S	11/2017	Jasinski et al.	
D813,234	S *	3/2018	Nadler	D14/388
D813,866	S	3/2018	Elmieh et al.	
D822,020	S	7/2018	Latto et al.	
D823,398	S	7/2018	Zekelman et al.	
D829,209	S *	9/2018	Zheng	D14/388
D850,413	S *	6/2019	Tu	D14/218
10,411,750	B2	9/2019	Li et al.	
10,417,163	B2	9/2019	Kuriyama	
D873,267	S	1/2020	Du et al.	
10,700,727	B2 *	6/2020	Haug	G06F 1/1626
10,845,843	B1 *	11/2020	Manzano	G06F 1/1656
10,848,194	B2 *	11/2020	Fathollahi	H04B 1/3888
D905,066	S *	12/2020	Lee	D14/440
2005/0135075	A1	6/2005	Deng	
2009/0107661	A1 *	4/2009	Andersson	F28D 9/005 165/168

* cited by examiner

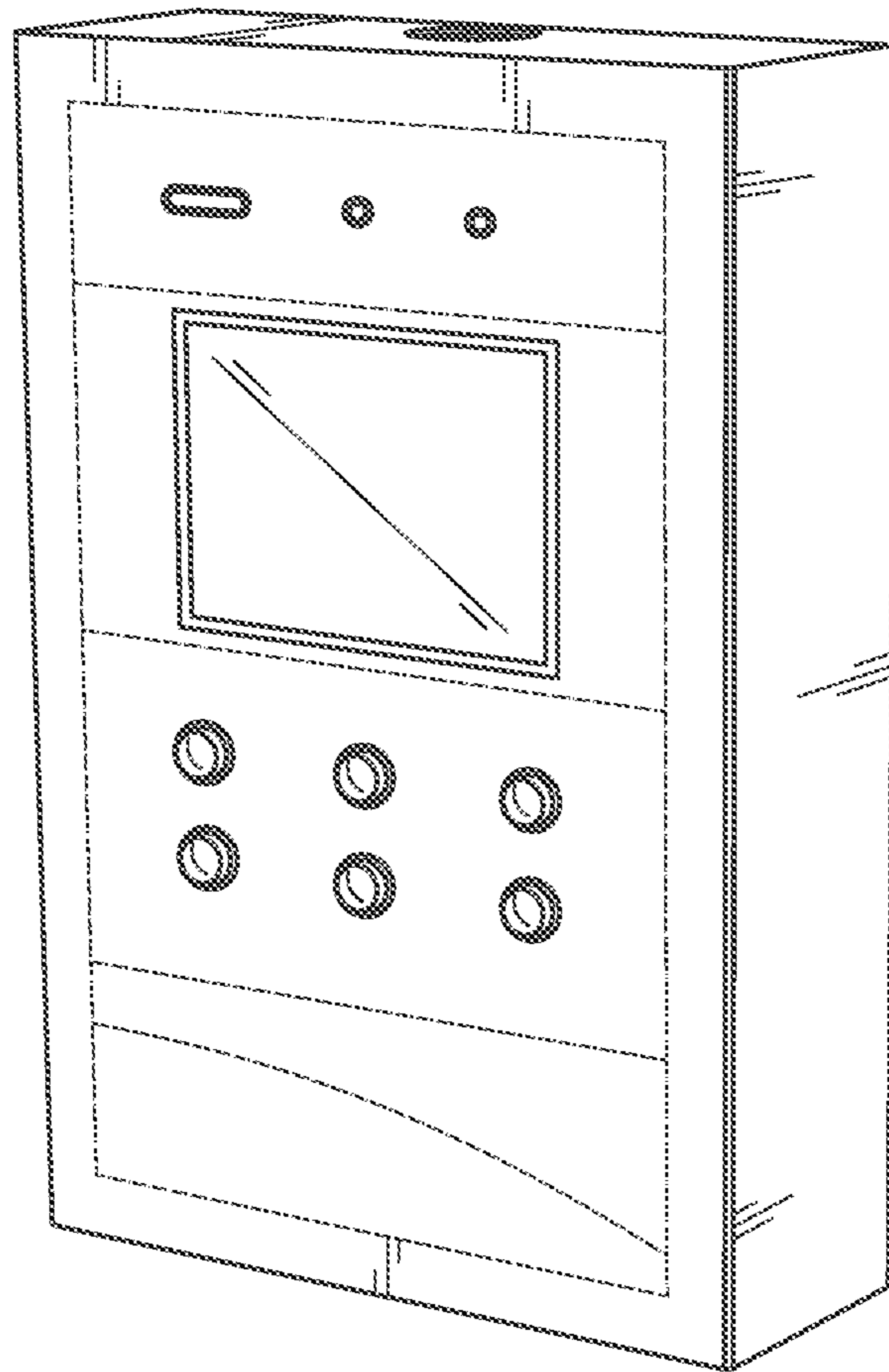


FIG. 1

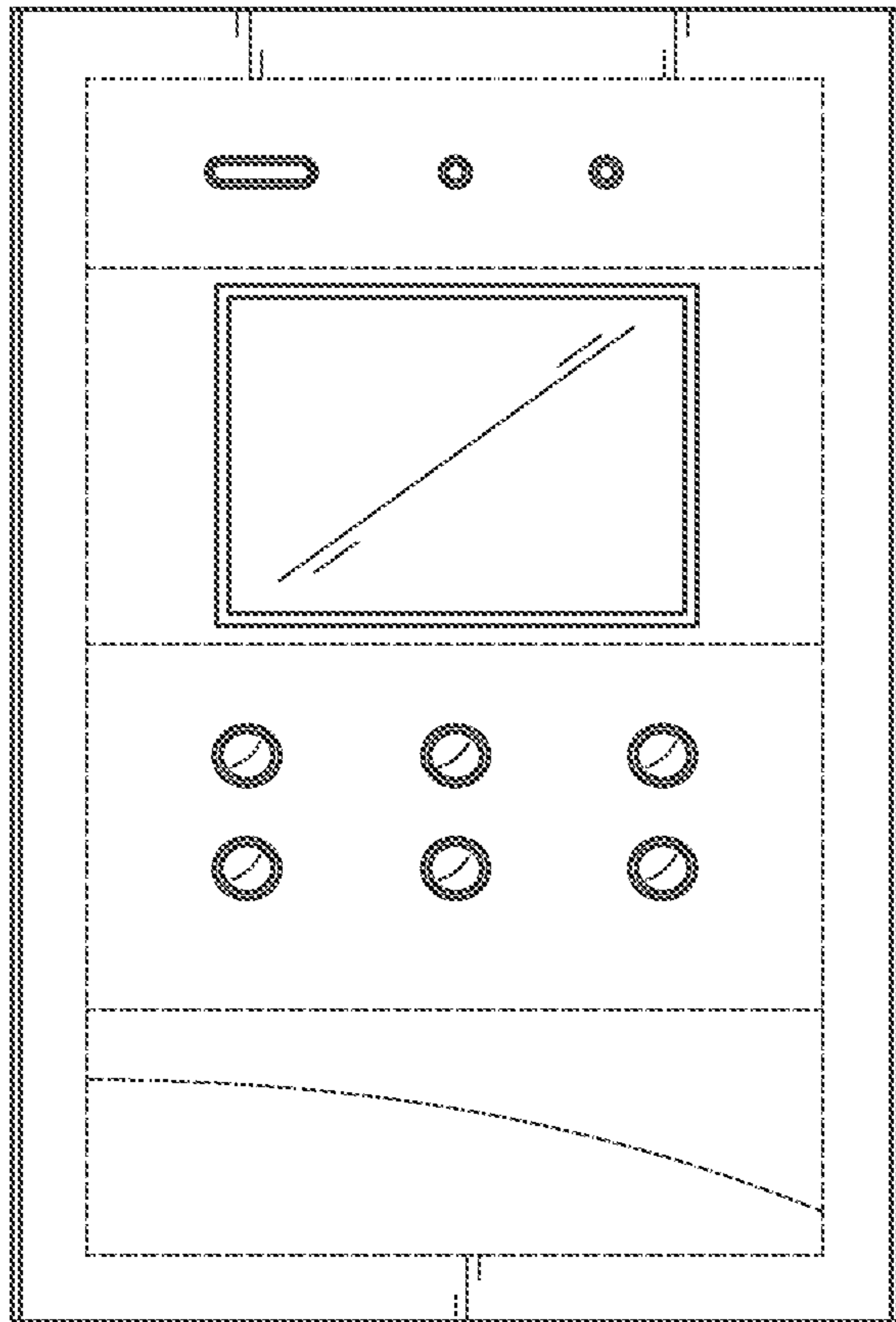


FIG. 2

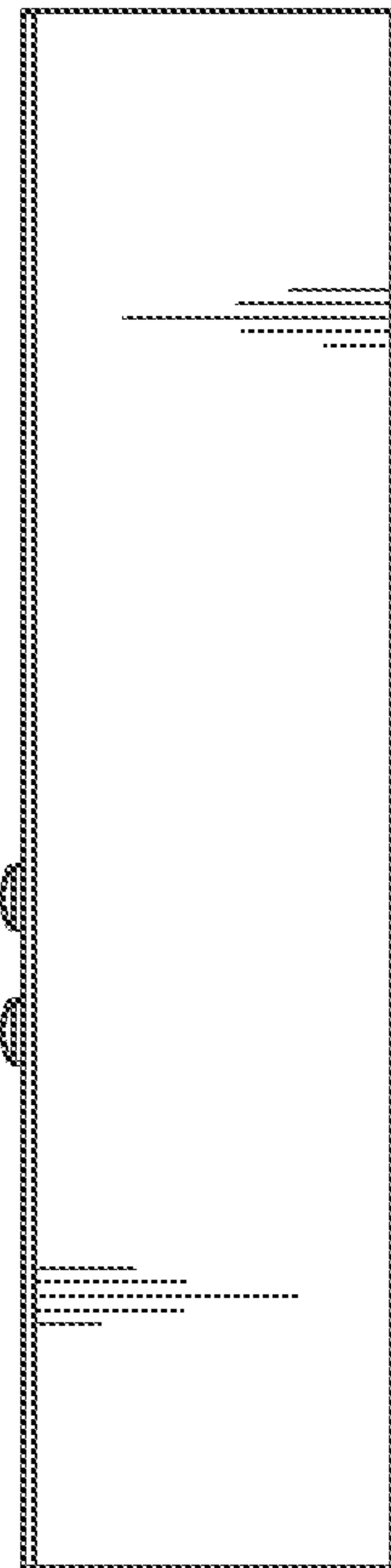


FIG. 3

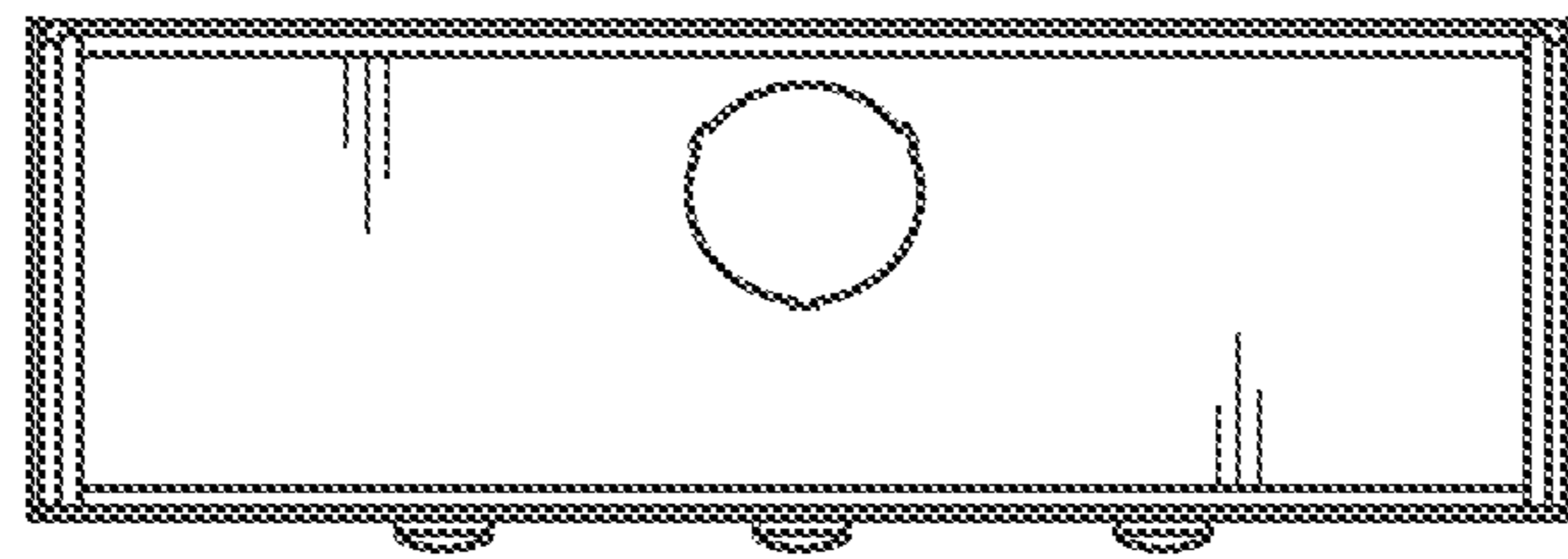


FIG. 4

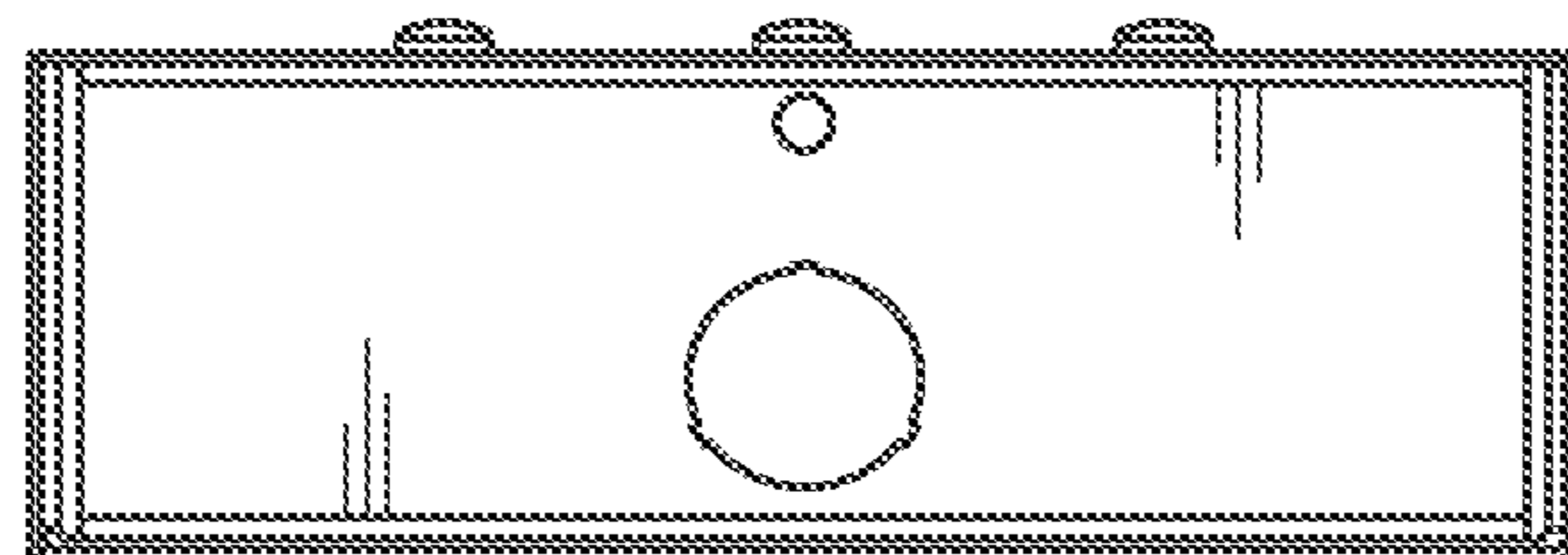


FIG. 5