



US00D919628S

(12) **United States Design Patent** (10) **Patent No.:** **US D919,628 S**  
**Ma** (45) **Date of Patent:** **\*\* May 18, 2021**

(54) **ADAPTER**  
(71) Applicant: **Xiaopei Ma**, Guangdong (CN)  
(72) Inventor: **Xiaopei Ma**, Guangdong (CN)  
(73) Assignee: **Matrixx Technology Co., Ltd.**,  
Guangdong (CN)  
(\*\*) Term: **15 Years**

D854,019 S \* 7/2019 Liao ..... D14/434  
D854,544 S \* 7/2019 Liao ..... D14/434  
D855,054 S \* 7/2019 Turksu ..... D14/433  
D855,616 S \* 8/2019 Chin ..... D14/433  
D856,278 S \* 8/2019 Turksu ..... D13/108  
D864,205 S \* 10/2019 Wang ..... D14/433  
D864,208 S \* 10/2019 Duan ..... D14/433  
D864,964 S \* 10/2019 Lyu ..... D14/433  
D864,966 S \* 10/2019 Sang ..... D14/434  
D864,967 S \* 10/2019 Liu ..... D14/434  
D866,557 S \* 11/2019 Xiong ..... D14/433  
D869,467 S \* 12/2019 Lin ..... D14/434

(21) Appl. No.: **29/676,601**  
(22) Filed: **Jan. 11, 2019**

(30) **Foreign Application Priority Data**

Oct. 25, 2018 (CN) ..... 201830596116.5

(51) **LOC (13) Cl.** ..... **14-02**

(52) **U.S. Cl.**  
USPC ..... **D14/433**; D14/357; D14/434

(58) **Field of Classification Search**  
USPC ..... D13/101, 107, 108, 110, 118, 120, 123,  
D13/133, 146, 147, 154, 184, 199;  
D14/155, 188, 217, 223, 240, 242, 357,  
D14/385, 432-438, 435.1, 496  
CPC .... H01R 25/006; H01R 27/02; H01R 31/005;  
G06F 13/4022; G06F 13/382; G06F  
1/1632; G06F 1/1684; G06F 1/20; G06F  
1/1607

See application file for complete search history.

(56) **References Cited**

**U.S. PATENT DOCUMENTS**

D507,261 S \* 7/2005 Griffin ..... D14/226  
D586,295 S \* 2/2009 Zhao ..... D13/133  
D619,570 S \* 7/2010 Tong ..... D13/133  
D750,083 S \* 2/2016 Chow ..... D14/434  
D800,730 S \* 10/2017 Liao ..... D14/433  
D807,290 S \* 1/2018 Liao ..... D13/110  
D830,366 S \* 10/2018 Turksu ..... D14/433  
D844,560 S \* 4/2019 Miller ..... D13/108

**OTHER PUBLICATIONS**

Amazon. Flujo iMac HUB USB C Adapter, Aluminum Clamp USB HUB with 4K HDMI, USB-C Data Port, 2 USB 3.0, Micro/SD Card Reader, 3.5mm Audio Adapter—Compatible with iMac Pro and iMac 2017 & Later (Space Gray). Nov. 20, 2019. <https://www.amazon.com/Flujo-Adapter-Aluminum-Adapter-Compatible/dp/B081SR51V6> (Year: 2019).\*

\* cited by examiner

*Primary Examiner* — Darcey E Gottschalk

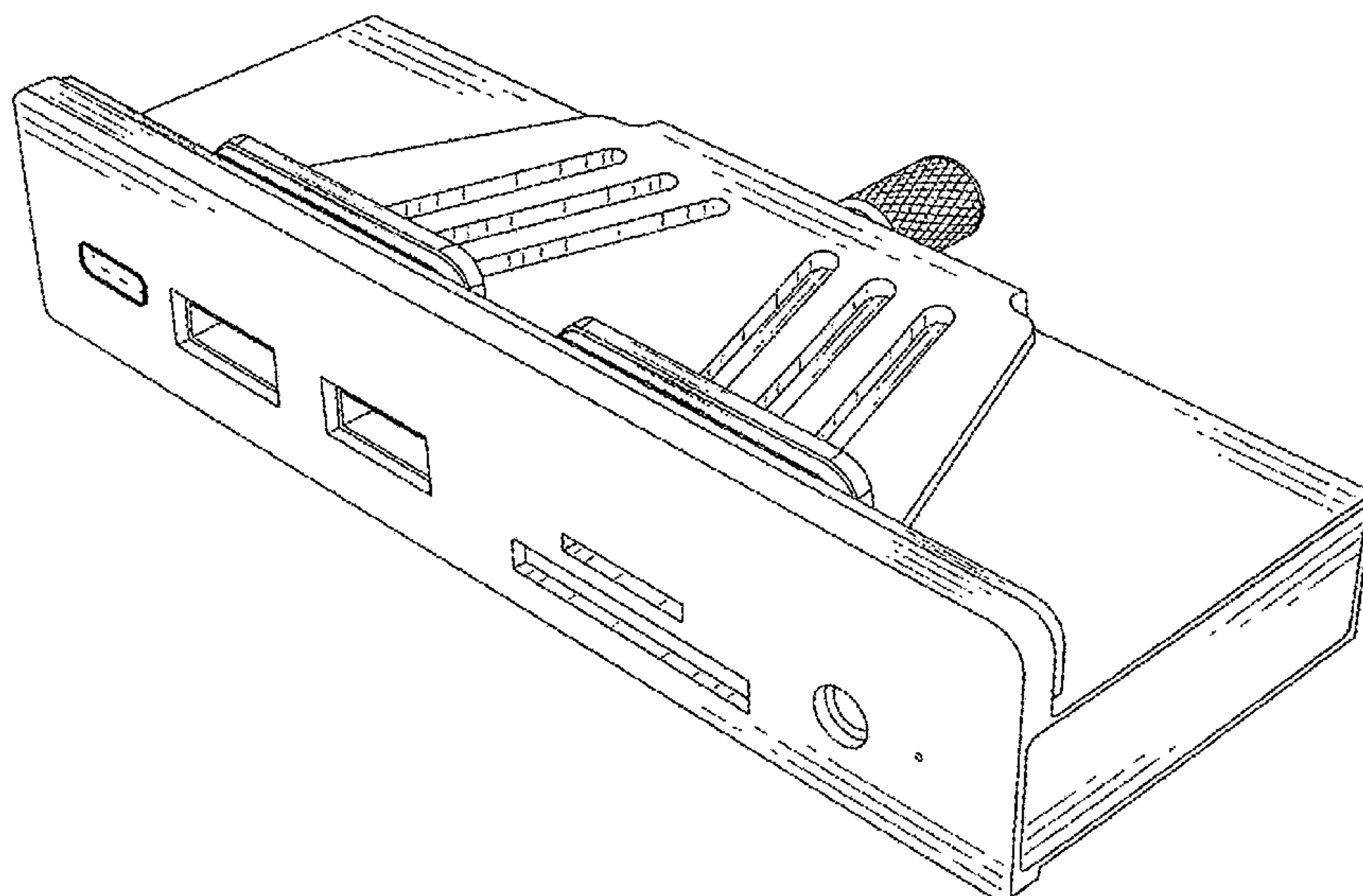
(57) **CLAIM**

The ornamental design for an adapter, as shown and described.

**DESCRIPTION**

FIG. 1 is a perspective view of an adapter showing my new design;  
FIG. 2 is a front elevation view thereof;  
FIG. 3 is a rear elevation view thereof;  
FIG. 4 is a left side elevation view thereof;  
FIG. 5 is a right side elevation view thereof;  
FIG. 6 is a top plan view thereof; and,  
FIG. 7 is a bottom plan view thereof.  
The broken lines depict portions of the adapter that form no part of the claimed design.

**1 Claim, 7 Drawing Sheets**



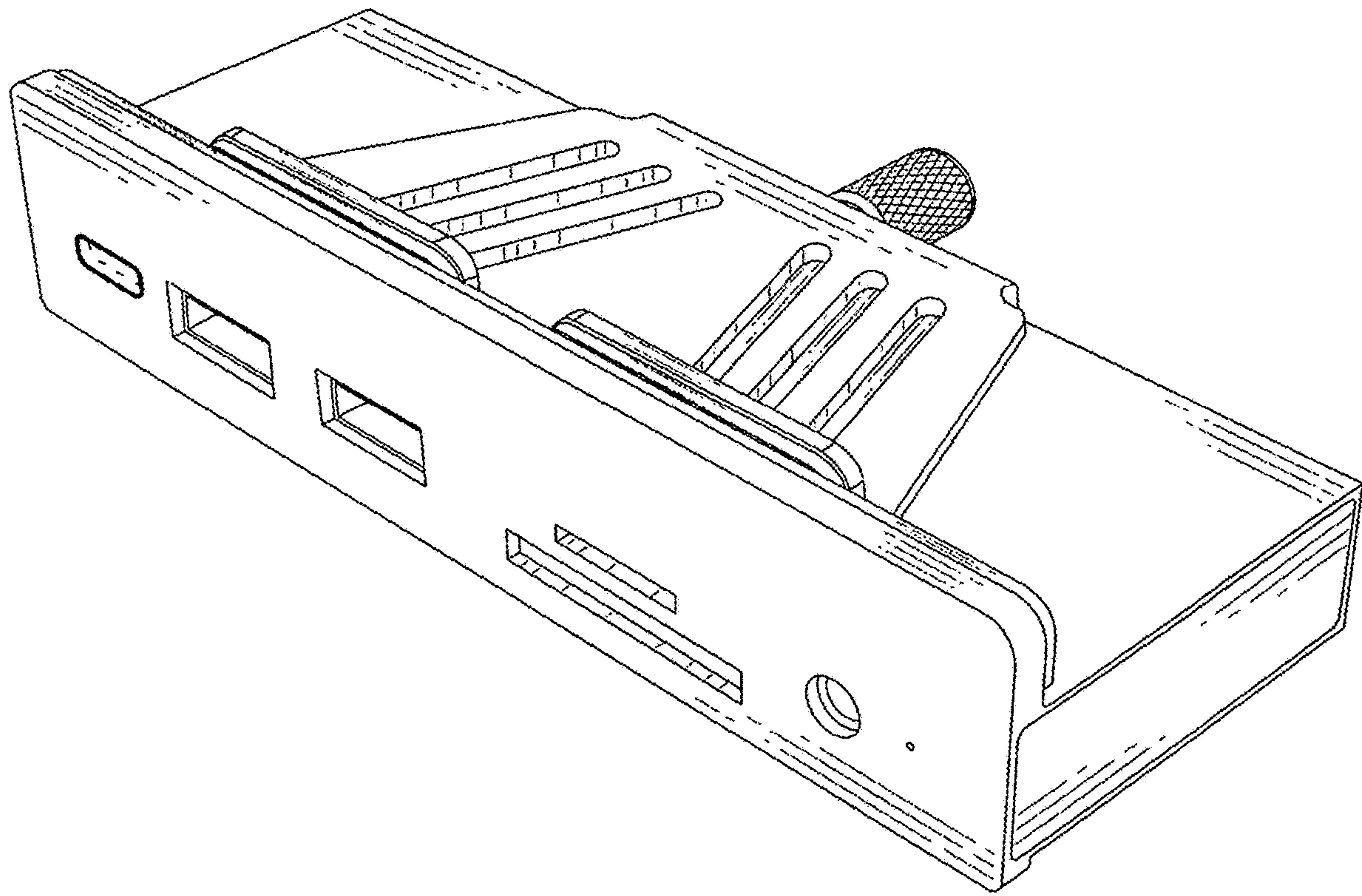


FIG.1

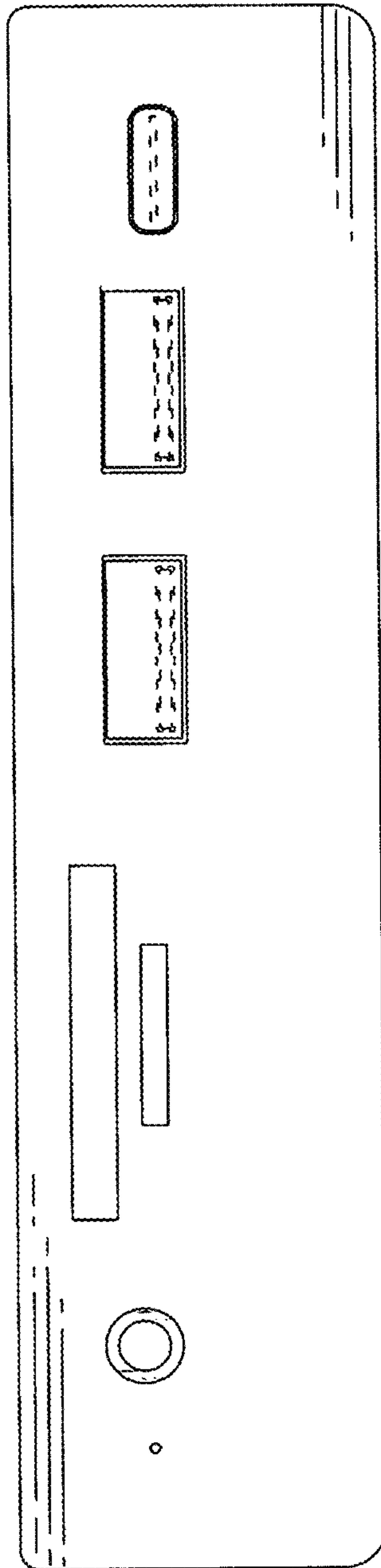


FIG. 2

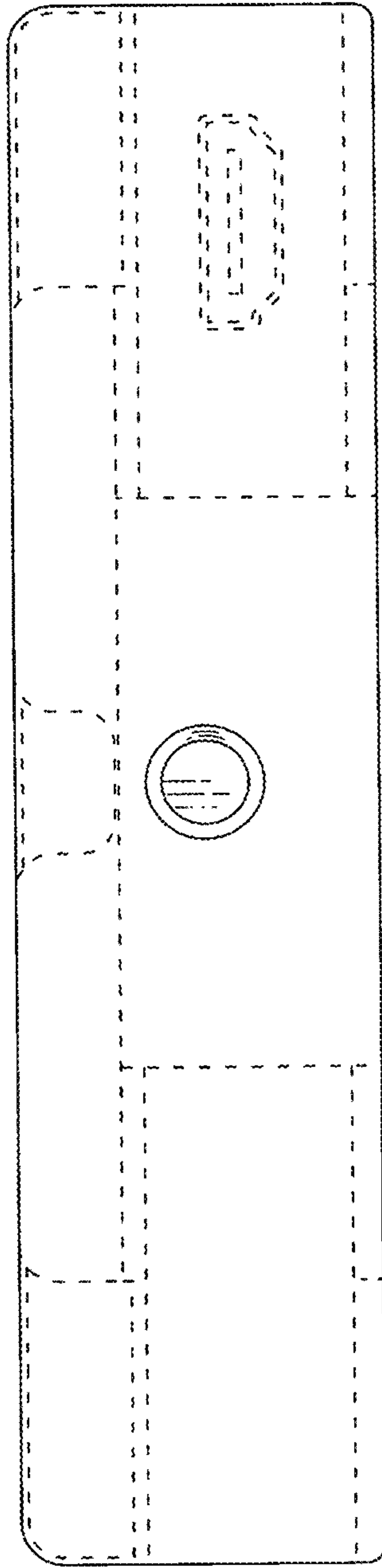


FIG.3

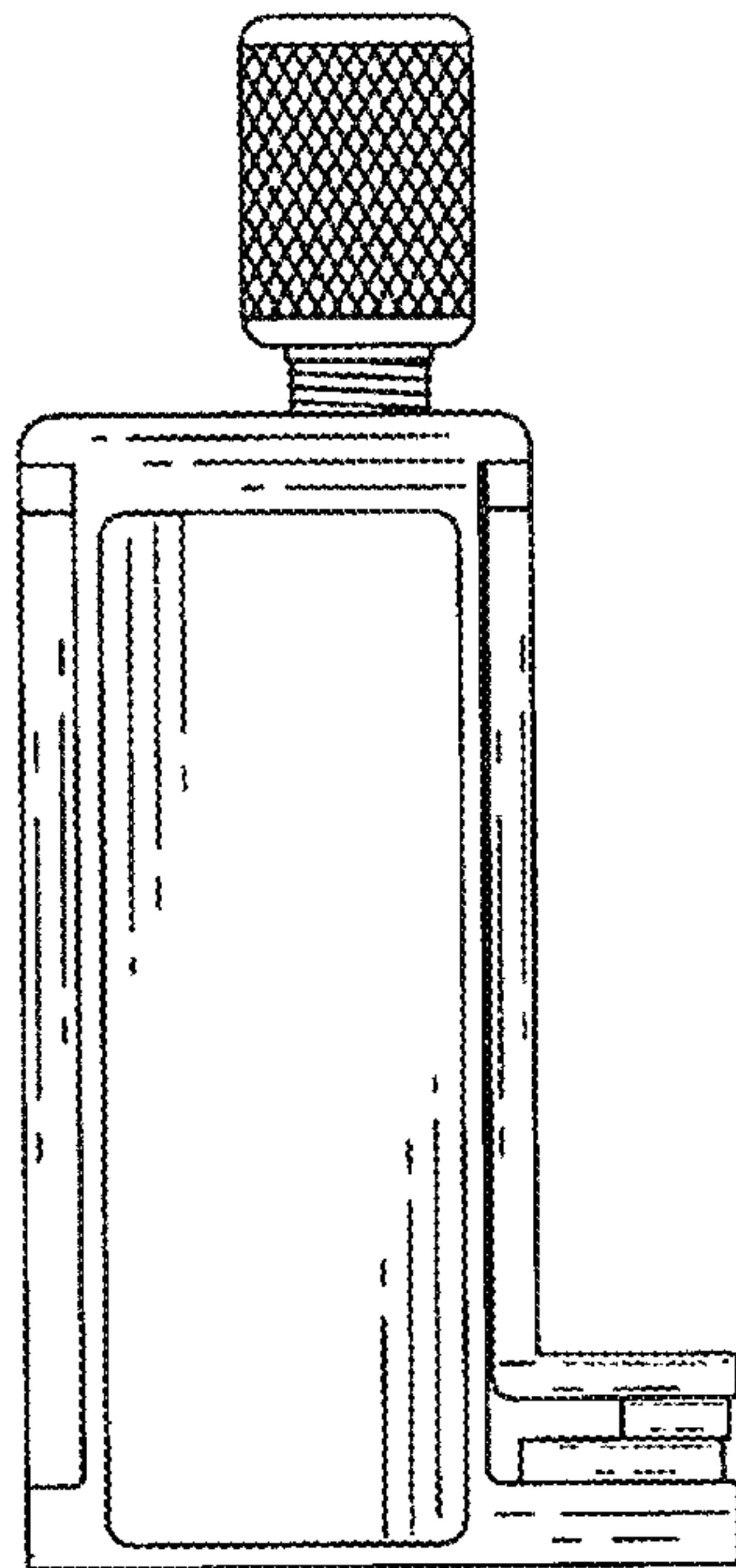


FIG. 4

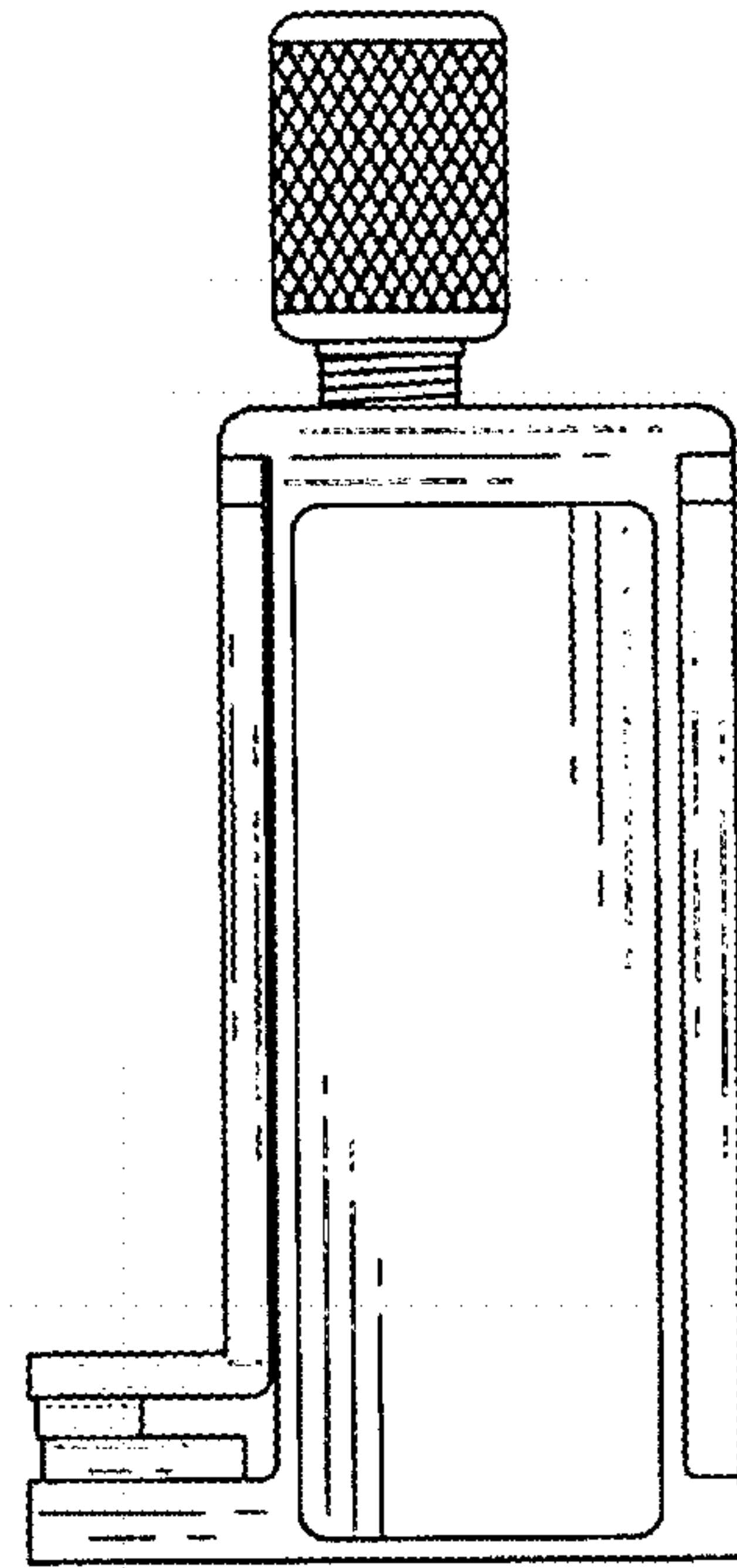


FIG. 5



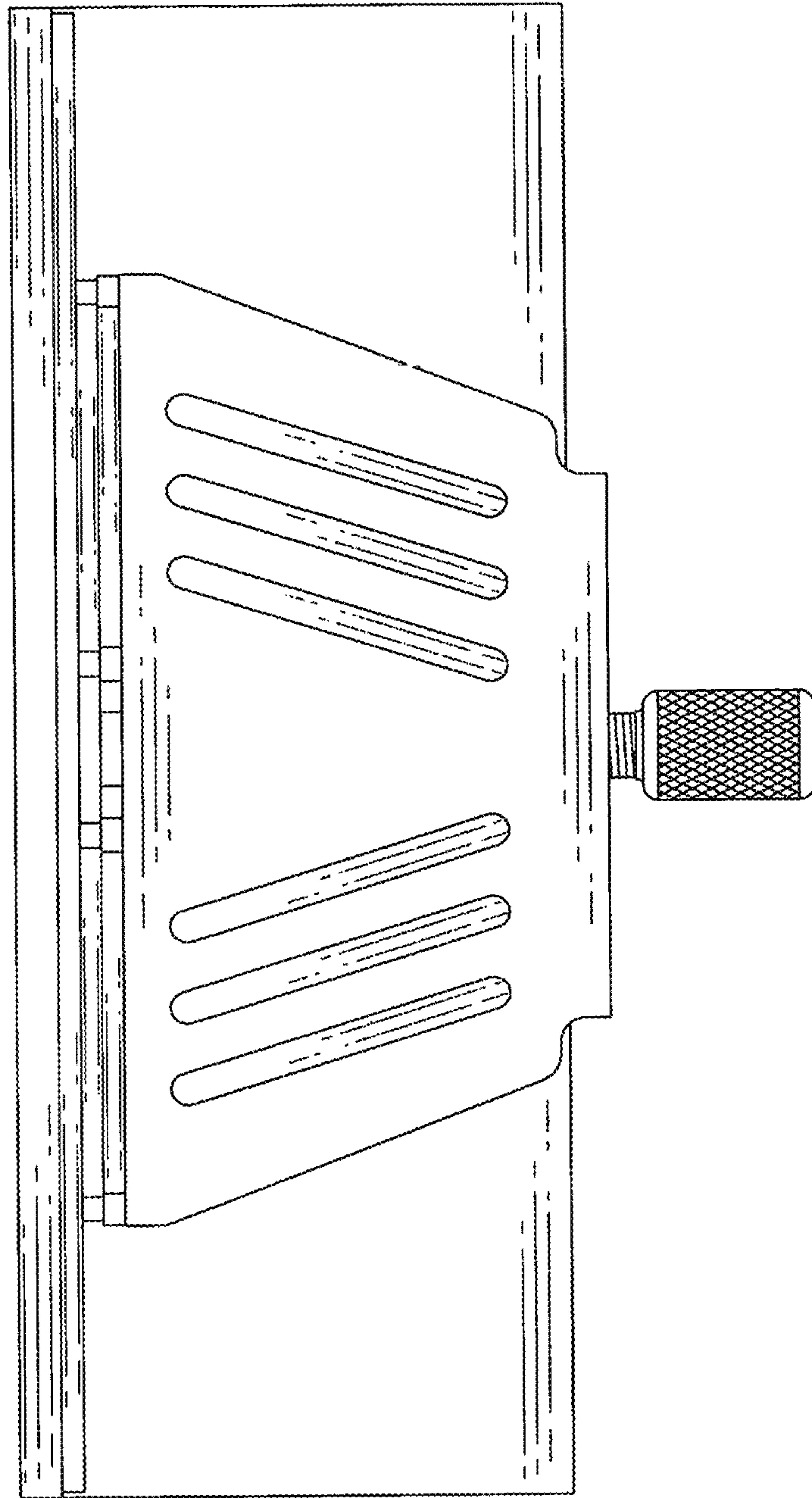


FIG.6

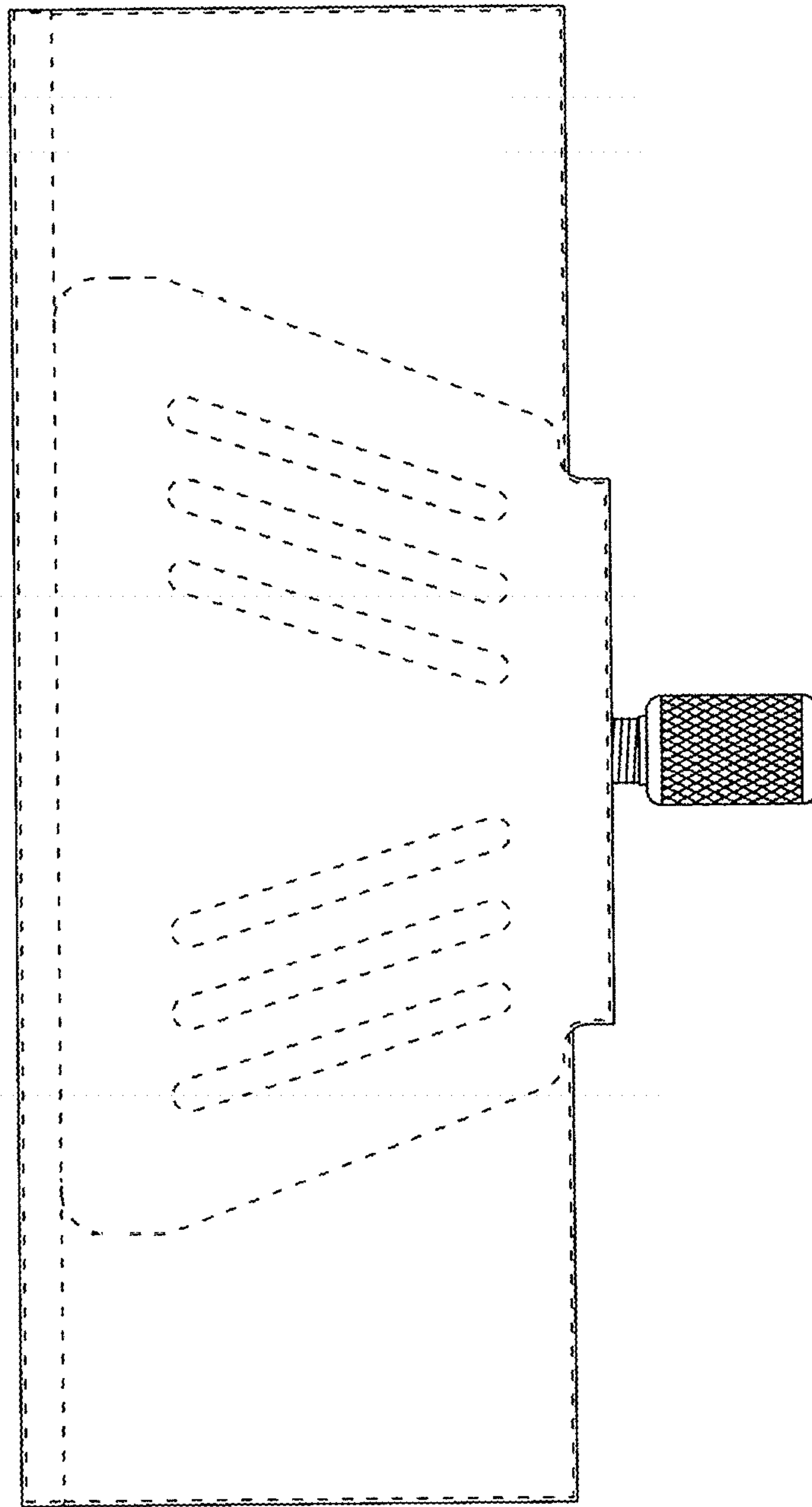


FIG. 7