



US00D919626S

(12) **United States Design Patent**  
**Pille et al.**

(10) **Patent No.:** **US D919,626 S**

(45) **Date of Patent:** **\*\* May 18, 2021**

(54) **FRAME FOR A SHIELDING ASSEMBLY**

6,181,573 B1 1/2001 Riet  
D522,517 S \* 6/2006 Latawiec ..... D14/432  
7,429,192 B2 9/2008 Liao et al.

(Continued)

(71) Applicant: **Laird Technologies, Inc.**, Chesterfield,  
MO (US)

(72) Inventors: **James D. Pille**, Ashley, IL (US);  
**Gerald R. English**, Glen Ellyn, IL  
(US); **Timothy M. Wrona**,  
Schaumburg, IL (US)

**OTHER PUBLICATIONS**

Innovative Board-Level Shielding, Gore Snapshot EMI Shields,  
gore.com/emi, Copyright 2015, 2 pages.

(Continued)

(73) Assignee: **Laird Technologies, Inc.**, Chesterfield,  
MO (US)

*Primary Examiner* — Austin Murphy

(\*\*) Term: **15 Years**

(74) *Attorney, Agent, or Firm* — Harness, Dickey &  
Pierce, P.L.C.; Anthony G. Fussner

(21) Appl. No.: **29/745,216**

(57) **CLAIM**

(22) Filed: **Aug. 4, 2020**

The ornamental design for a frame for a shielding assembly,  
as shown and described.

**Related U.S. Application Data**

**DESCRIPTION**

(62) Division of application No. 29/665,695, filed on Oct.  
5, 2018, now Pat. No. Des. 895,623.

(51) **LOC (13) Cl.** ..... **14-02**

(52) **U.S. Cl.**  
USPC ..... **D14/432**

(58) **Field of Classification Search**  
USPC ..... D14/300-302, 308-313, 314, 348,  
D14/353-355, 432, 439-446, 240;  
361/679.02, 679.31, 679.5, 690, 694,  
361/679.23, 801, 802; 312/332.1, 334.1;  
D13/162; D10/50

CPC .... B65H 1/00; B65H 1/266; B65H 2402/441;  
B65H 2405/311; B65H 2405/313

See application file for complete search history.

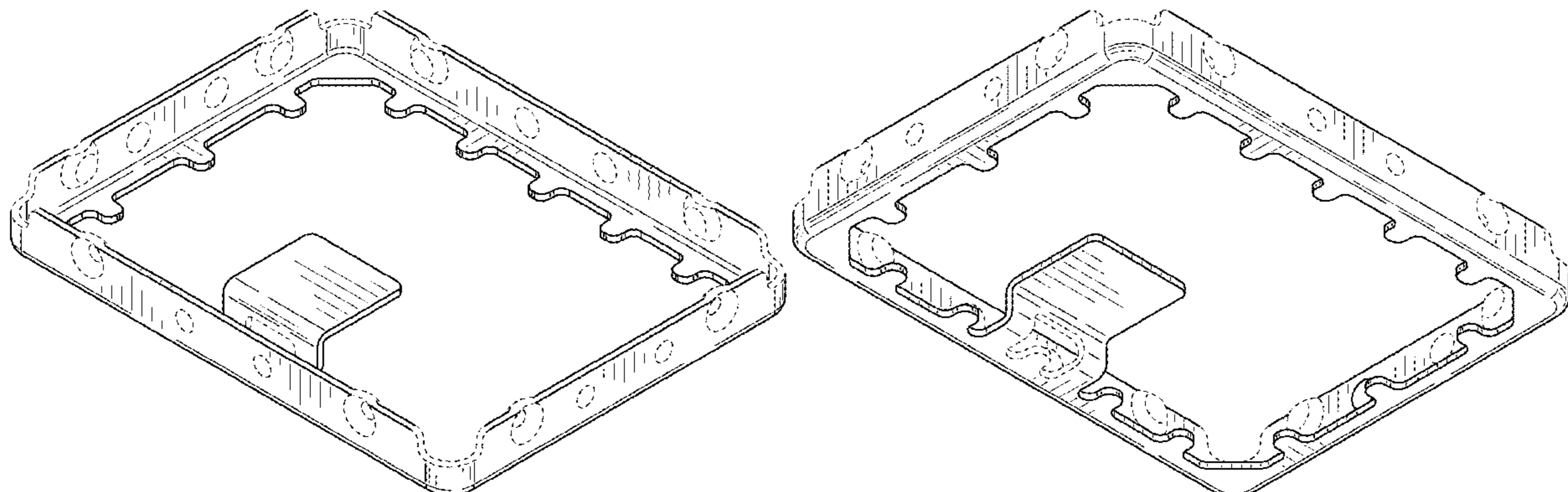
FIG. 1 is an upper perspective view of a frame for a  
shielding assembly showing our new design;  
FIG. 2 is a lower perspective view of the frame for a  
shielding assembly shown in FIG. 1;  
FIG. 3 is a top plan view of the frame for a shielding  
assembly shown in FIG. 1;  
FIG. 4 is a bottom plan view of the frame for a shielding  
assembly shown in FIG. 1;  
FIG. 5 is a front elevation view of the frame for a shielding  
assembly shown in FIG. 1;  
FIG. 6 is a back elevation of the frame for a shielding  
assembly shown in FIG. 1;  
FIG. 7 is a left side elevation view of the frame for a  
shielding assembly shown in FIG. 1; and,  
FIG. 8 is a right side elevation view of the frame for a  
shielding assembly shown in FIG. 1.  
In the drawings, the details shown in broken lines depict  
environmental subject matter only and form no part of the  
claimed design.

(56) **References Cited**

**U.S. PATENT DOCUMENTS**

5,095,177 A 3/1992 Johnson  
5,353,201 A 10/1994 Maeda  
6,169,665 B1 \* 1/2001 Lepping ..... H05K 9/0032  
174/350

**1 Claim, 6 Drawing Sheets**



(56)

**References Cited**

U.S. PATENT DOCUMENTS

7,488,902 B2 \* 2/2009 English ..... H05K 9/0032  
174/377  
7,916,500 B2 3/2011 Shi et al.  
7,926,166 B2 \* 4/2011 Zuehlisdorf ..... H05K 9/0032  
29/602.1  
8,059,416 B2 \* 11/2011 Li ..... H05K 9/0032  
361/752  
D692,894 S \* 11/2013 Chen ..... D14/432  
9,247,682 B2 1/2016 Watanabe  
D846,547 S \* 4/2019 Bunnell ..... D14/432  
D882,576 S 4/2020 Crisp  
D895,623 S \* 9/2020 Pille ..... D14/432  
2016/0113161 A1 \* 4/2016 Ball ..... H05K 9/0094  
174/381  
2016/0227679 A1 \* 8/2016 English ..... H05K 9/0024  
2017/0135200 A1 \* 5/2017 Chang ..... H05K 1/0216  
2017/0171961 A1 6/2017 Ball et al.  
2017/0231123 A1 \* 8/2017 Ball ..... H05K 9/0037  
2018/0007783 A1 \* 1/2018 Crotty, Jr. .... H05K 9/0032

OTHER PUBLICATIONS

Nonfinal Office Action for U.S. Appl. No. 16/591,029 which names the same inventors and Assignee/Applicant as the instant application but is not related through a priority claim; dated Feb. 24, 2020, 8 pages.

\* cited by examiner

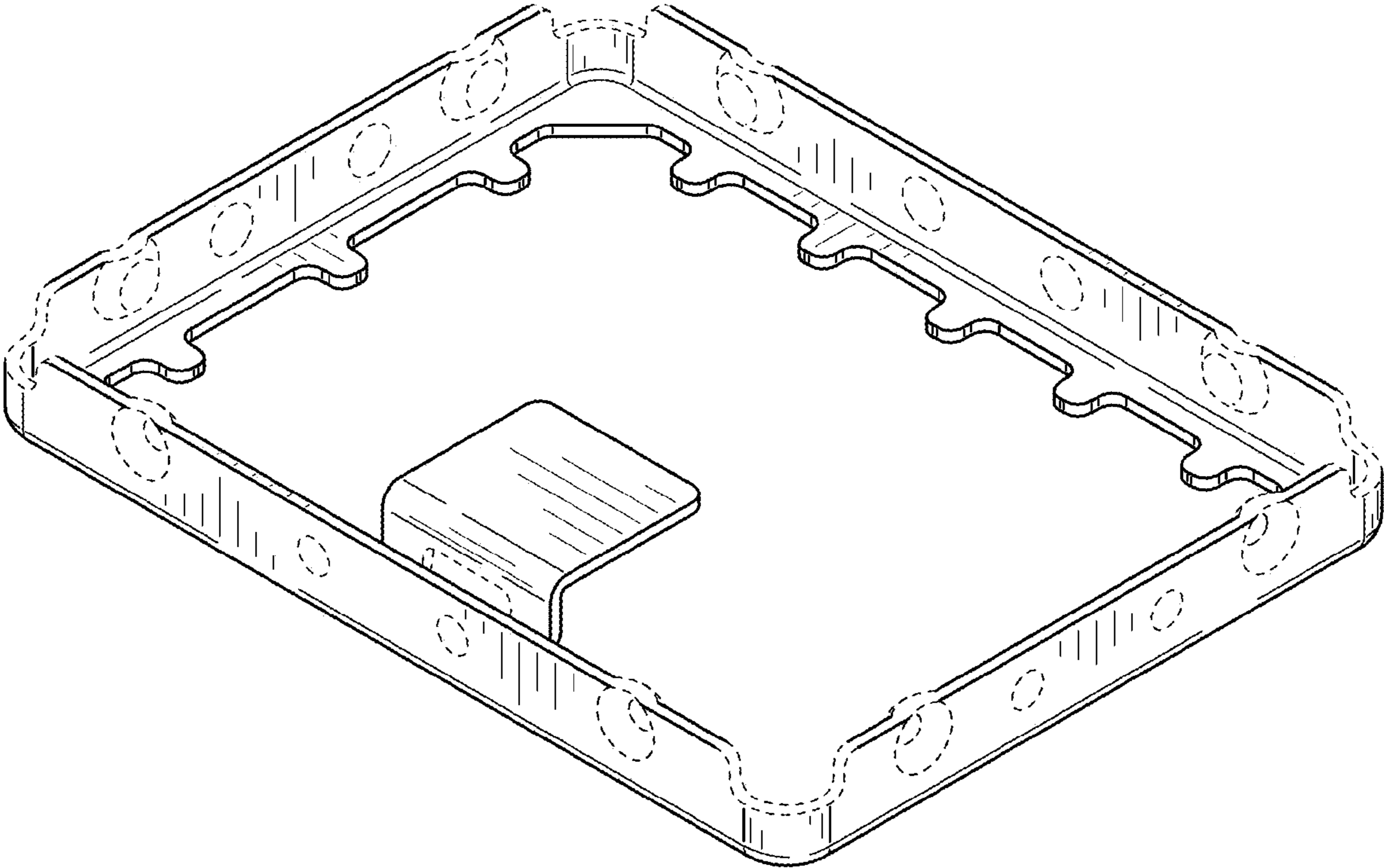


FIG. 1

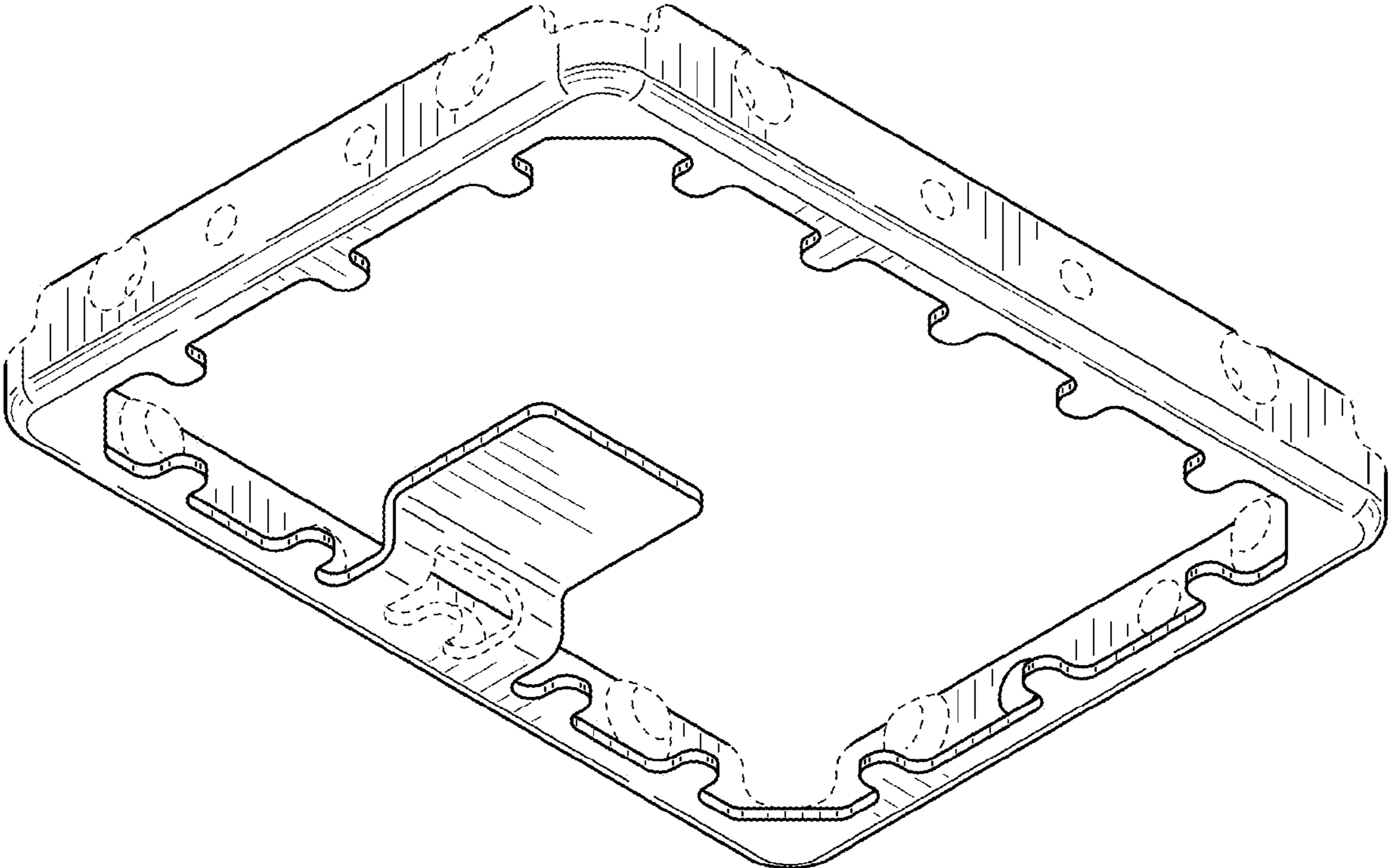


FIG. 2

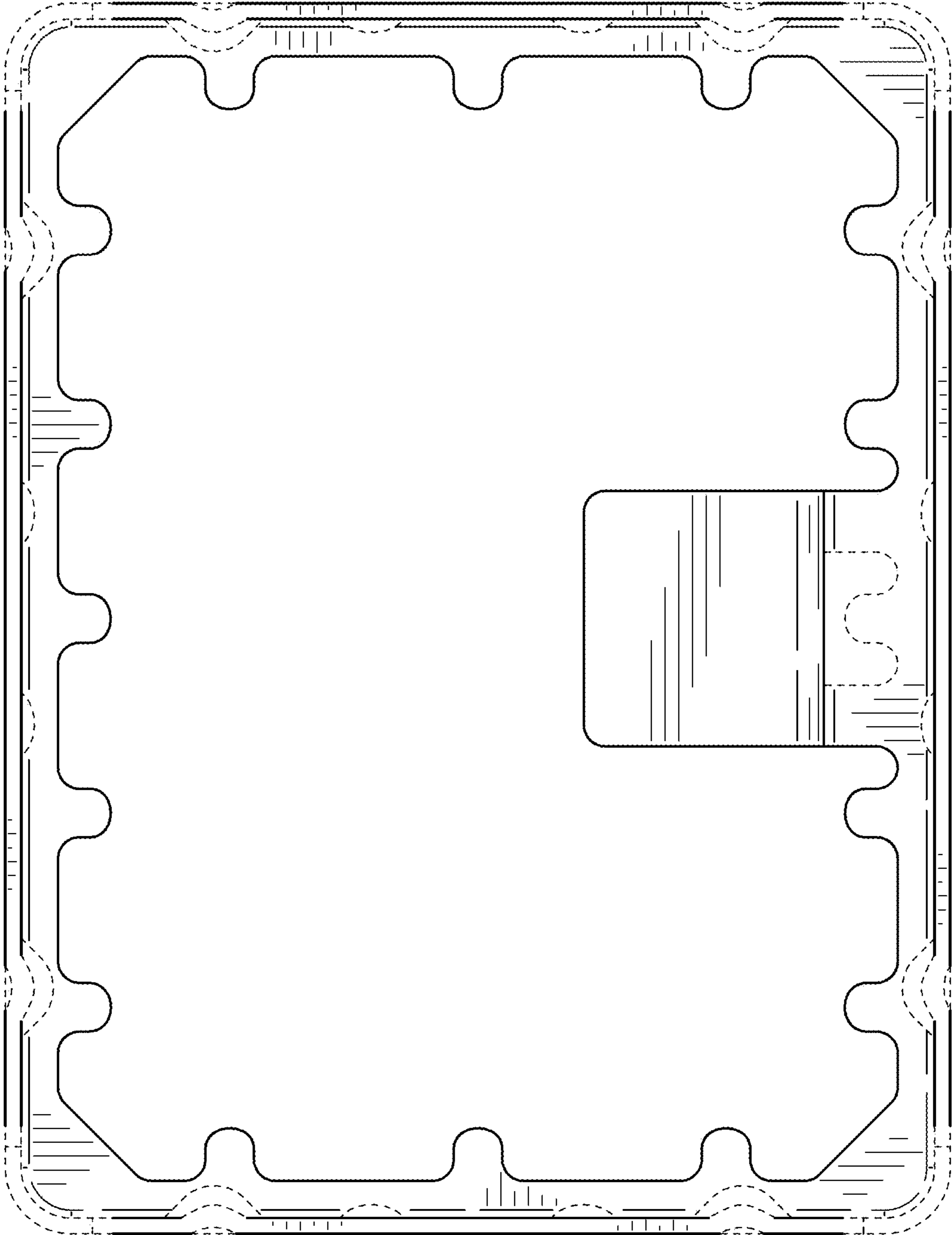


FIG. 3

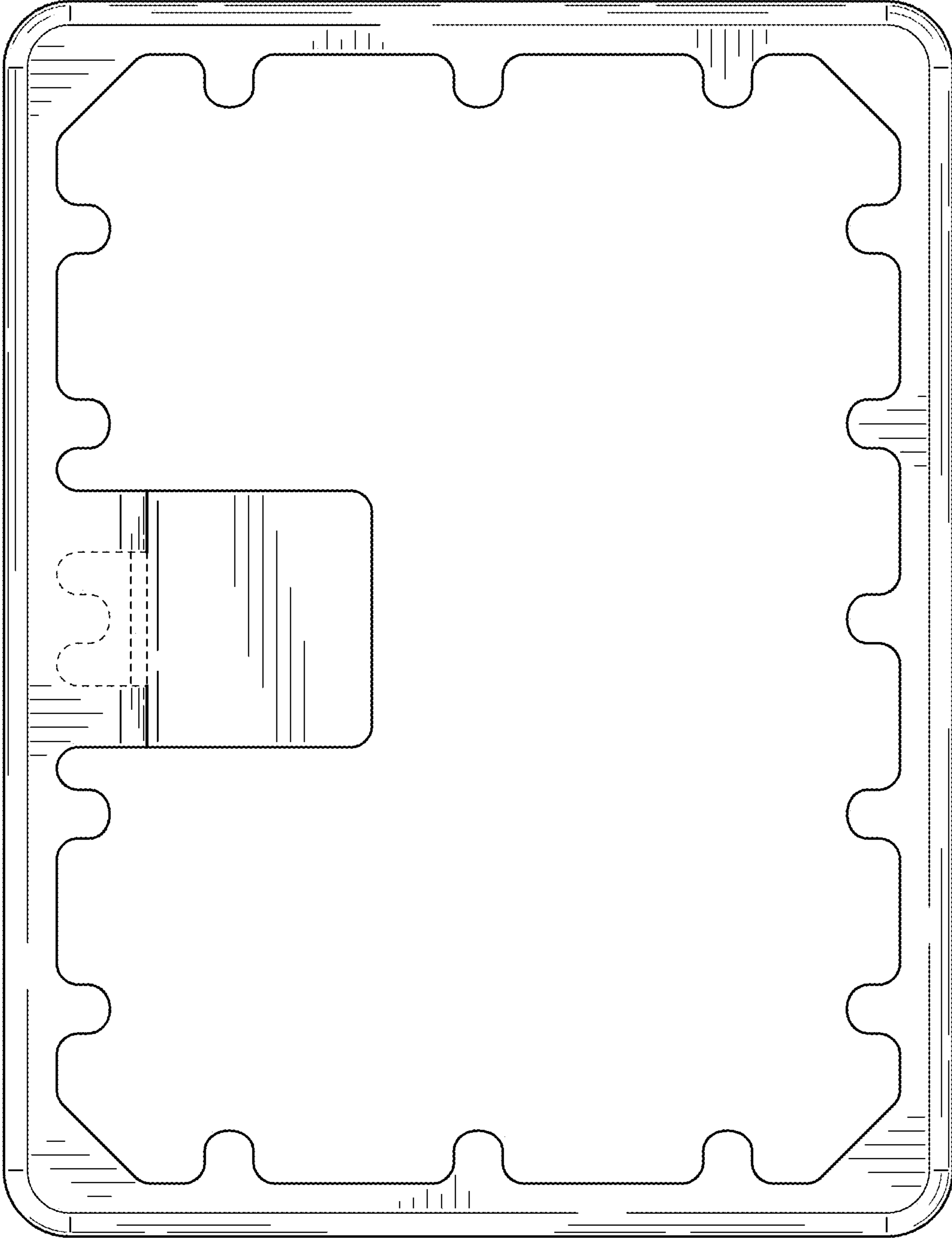


FIG. 4

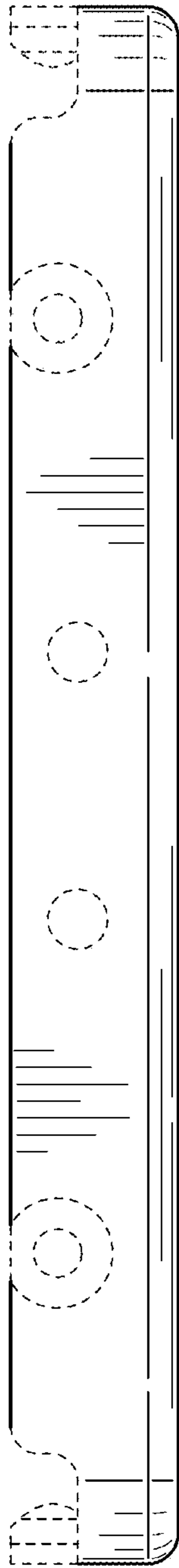


FIG. 5

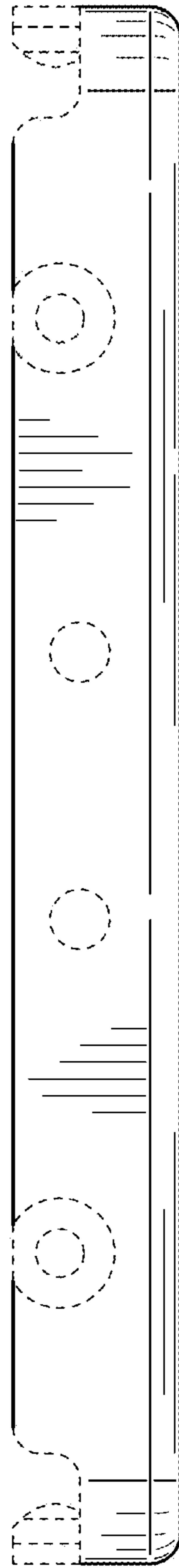


FIG. 6

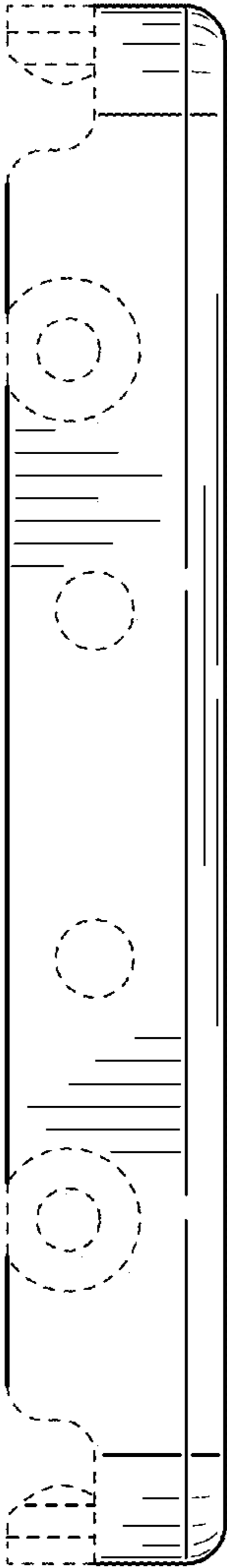


FIG. 7

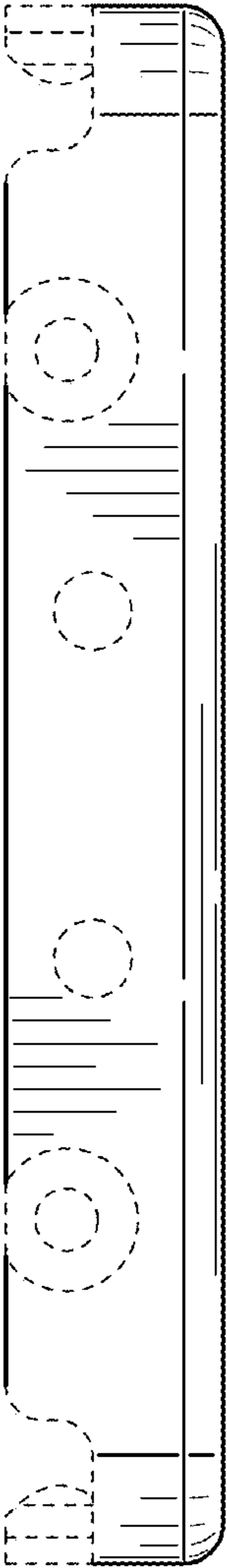


FIG. 8