



US00D919619S

(12) **United States Design Patent** (10) **Patent No.:** **US D919,619 S**
Kozlovskaya et al. (45) **Date of Patent:** **** *May 18, 2021**

(54) **REMOVABLE BAND FOR A WATCH BODY**

(71) Applicant: **Fitbit, Inc.**, San Francisco, CA (US)

(72) Inventors: **Irina Igorevna Kozlovskaya**, San Francisco, CA (US); **Benjamin Patrick Robert Jean Riot**, San Francisco, CA (US); **Anthony Gerald Kern**, Pleasant Hill, CA (US); **Derek Jenchia Loh**, San Carlos, CA (US); **Bernhard Wildner**, San Francisco, CA (US); **Junyong Park**, San Francisco, CA (US); **Jeffrey Andrew Fisher**, Mountain View, CA (US); **Patrick James Markan**, San Francisco, CA (US); **Yu Chuan Kang**, Taipei (TW); **Stephen Ronald Smilovitz**, Belmont, CA (US)

(73) Assignee: **Fitbit, Inc.**, San Francisco, CA (US)

(*) Notice: This patent is subject to a terminal disclaimer.

(**) Term: **15 Years**

(21) Appl. No.: **29/727,222**

(22) Filed: **Mar. 9, 2020**

Related U.S. Application Data

(62) Division of application No. 29/645,397, filed on Apr. 25, 2018.

(51) **LOC (13) Cl.** **14-02**

(52) **U.S. Cl.**
USPC **D14/344**

(58) **Field of Classification Search**
USPC ... D14/138 R, 144, 341, 344, 358, 388, 218,
D14/485-495; D10/30-39, 70, 98;
D11/3, 4, 26, 93-94, 78.1, 79, 86;
D24/167, 169, 186-187, 164
CPC A41D 1/002; A41D 19/0034; G06F 1/04;
G06F 1/08; G06F 1/10; G06F 1/14; G06F
1/1626; G06F 1/1628; G06F 1/163; G06F

1/1635; G06F 1/3203; G06Q 20/10;
G06Q 20/12; G06Q 20/108; G06Q
20/145; H04B 1/3833; H04B 1/385;
H04B 1/3888; H04M 1/02; H04M 1/03;
H04M 1/04; H04M 1/05; H04M 1/667;
H04M 1/6058; Y02B 60/1217

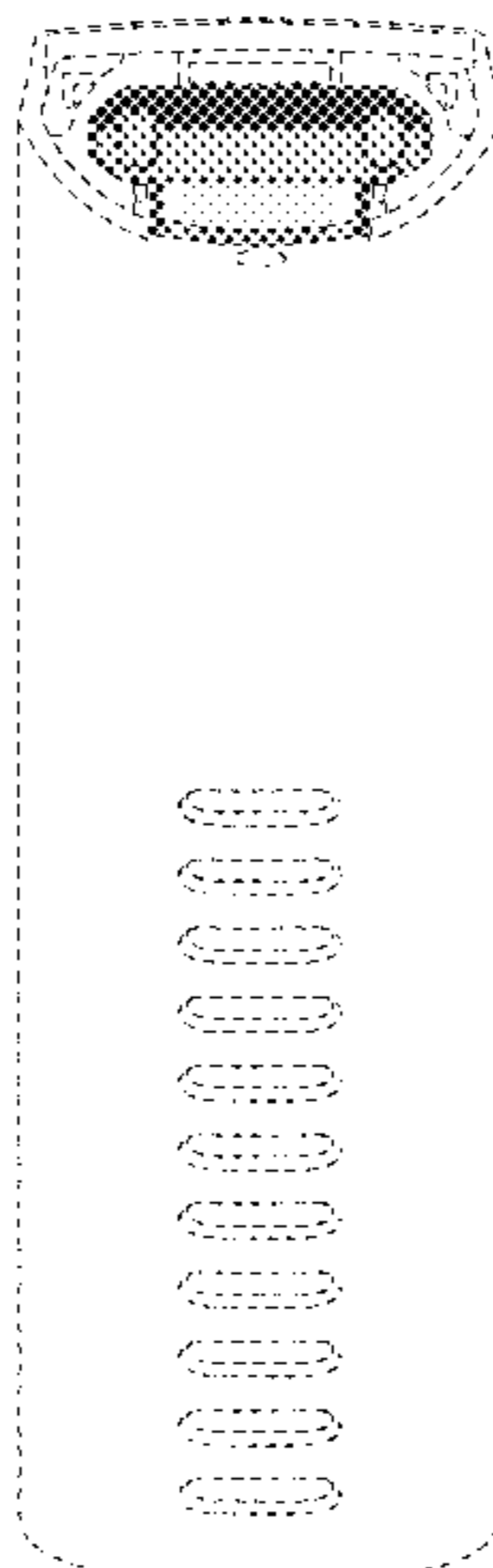
See application file for complete search history.

(56)

References Cited

U.S. PATENT DOCUMENTS

134,735 A	1/1873	Cornell	
D141,753 S	7/1945	Du Bois	
D221,295 S	7/1971	Poon	
D221,296 S	7/1971	Poon	
4,417,821 A	11/1983	Herchenbach	
4,579,112 A	4/1986	Scott	
D285,422 S	9/1986	Grimes	
D314,527 S	2/1991	Kaneko	
D324,340 S	3/1992	Houlihan	
D324,341 S	3/1992	Houlihan	
D327,440 S	6/1992	Galli	
D345,926 S	4/1994	Houlihan	
D556,194 S	11/2007	Rambosek et al.	
D559,723 S	1/2008	Kraus et al.	
D580,277 S	11/2008	Brady et al.	
7,509,712 B2	3/2009	Sima	
7,575,368 B2	8/2009	Guillaume	
D602,386 S	10/2009	Ueda et al.	
D621,808 S	8/2010	Kim	
D637,094 S	5/2011	Cobbett et al.	
D638,736 S	5/2011	Cobbett et al.	
D643,428 S	8/2011	Janky et al.	
8,296,983 B2	10/2012	Padgett et al.	
8,370,549 B2	2/2013	Burton et al.	
D680,651 S	4/2013	Lumme et al.	
D715,668 S	10/2014	Roush et al.	
D717,956 S *	11/2014	Alexander	D24/167
D718,647 S	12/2014	Roush et al.	
D720,074 S	12/2014	Suvilaakso et al.	
8,954,135 B2	2/2015	Yuen et al.	
D724,468 S	3/2015	Tan et al.	
D724,479 S	3/2015	Cerrato	
D725,533 S	3/2015	Riddiford et al.	
8,967,437 B2	3/2015	Wilson	
D726,052 S	4/2015	Henning	
D726,056 S	4/2015	Riddiford et al.	
D727,183 S	4/2015	Park et al.	
D727,759 S	4/2015	Martinez et al.	
D729,646 S	5/2015	Phillips et al.	
D729,648 S	5/2015	Phillips et al.	



JP	3173930 U	3/2012
JP	2017205260 A	11/2017
WO	2016188106 A1	12/2016
WO	2017121662 A1	7/2017
WO	2018059386 A1	4/2018

OTHER PUBLICATIONS

Shangpule Bling Bands Compatible with Fitbit Charge 4 / Charge 3 / Charge 3 SE Bands, posted Nov. 20, 2018, [retrieved Jun. 14, 2020]. Retrieved from Internet, <URL: <https://www.amazon.com/Shangpule-Compatible-Replacement-Rhinestone-Accessories/dp/B07KQ578KM>>.*

POY Compatible Bands Replacement for Fitbit Alta, Fitbit Alta HR sold on Amazon. Website accessed Mar. 1, 2019.

Monster Fitness Multicolor Replacement Bands for Fitbit Flex sold on Amazon. Website accessed Mar. 1, 2019.

GK Fitbit Alta Bands—replacement sport strap bands for Fitbit Alta for sale at Walmart (www.walmart.com). Website accessed Nov. 7, 2018.

ISuunto Core watchband on Instagram. Accessed Feb. 7, 2017.

Suppa G-Shock Strap Adapters, online at least as early as Dec. 13, 2013. Accessed Feb. 7, 2017.

Monserat de Lucca Measuring Tape Bracelet for sale at Shopbop (www.shopbop.com). Website accessed Nov. 11, 2018.

Marc by Marc Jacobs Engraved Turlock Leather Bangle Bracelet for sale at Shopbop (www.shopbop.com). Website accessed Nov. 11, 2018.

Acbee Replacement watch band with buckle for Fitbit Alta for sale at www.amazon.com, Website accessed Nov. 7, 2018.

Perfit rubber watch band with double prong buckle and spring bars for sale at www.amazon.com. Website accessed Nov. 7, 2018.

Waterproof diving silicone rubber strap with clasp for sale at www.aliexpress.com (Alibaba Group). Website accessed Feb. 7, 2018.

Damusy Fitness Tracker Smart Band for sale at www.activityandfitnesstrackers.com. Website accessed Nov. 10, 2018.

Volemer F09HR Smart Band Fitness Tracker for sale at www.epaky.com. Website accessed Nov. 10, 2018.

“First Look: Fitbit announces new Fitbit Alta activity tracker”, published Feb. 3, 2016 on DC Rainmaker (www.dcrainmaker.com). Website accessed Nov. 10, 2018.

Fitbit Alta—for sale by Fitbit (<https://www.fitbit.com/alta>). Website accessed Mar. 27, 2017.

Fitbit Alta review published Mar. 25, 2016 on C|Net (www.cnet.com). Website accessed Nov. 10, 2018.

Fitbit Charge 2 Heart Rate and Fitness Wristband for sale at www.amazon.co.uk. Website accessed Feb. 7, 2018.

Fitbit Flex Wireless Activity and Sleep Wristband for sale at www.amazon.com. Listed at least as early as Apr. 16, 2013.

Fitbit Ionic Accessory Band for sale at Nordstrom (<https://shop.nordstrom.com>). Website accessed Nov. 7, 2018.

Fitbit Alta HR Bands for sale at The Fitness Equipment Shop (www.thefitnessequipmentshop.com). Website accessed Nov. 17, 2018.

Luminox Replacement Rubber Watch Band Strap for sale at Walmart (www.walmart.com). Website accessed Nov. 7, 2018.

“MPOW DS-D6 Fitness Band Review” published Jan. 13, 2018 on ZeroAir (www.zeroair.wordpress.com). Website accessed Nov. 10, 2018.

“Fitbit Product Teardown” on Pinterest, pinned from www.ifixit.com. Website accessed Feb. 27, 2017.

Pro Elite Medicine Ball by Power Systems (www.power-systems.com). Website accessed Feb. 7, 2018.

Replacement metal watch band Connector for Fitbit Alta/Fitbit Alta HR for sale at Banggood (www.banggood.com). Website accessed Nov. 10, 2018.

Citrine by the Stones Sol Forearm Band for sale at Shopbop (www.shopbop.com). Website accessed Nov. 11, 2018.

Gorjana Mia Wrap Cuff for sale at Shopbop (www.shopbop.com). Website accessed Nov. 11, 2018.

Fintie for Gear S2 Watch Band Stainless Steel Metal Replacement Strap, for sale at www.amazon.com. Website accessed Apr. 24, 2019.

Fitbit Inspire HR review: One size, many styles, fit all, posted May 24, 2019, [retrieved Jun. 5, 2019]. Retrieved from Internet, <URL: <https://www.macworld.com/article/3397320/fitbit-inspire-hr-review.html>>.

The New Fitbit Inspire HR Is Finally Available to the Public!, posted Mar. 6, 2019, [retrieved Jun. 5, 2019]. Retrieved from Internet, <URL: <https://amyeverafter.com/new-fitbit-inspire-hr-smartwatch/>>.

Samsung’s 6th smartwatch has a 3G modern and a massive curved display, posted Aug. 28, 2014, [retrieved Jun. 5, 2019]. Retrieved from Internet, <URL: <https://arstechnica.com/gadgets/2014/08/samsungs-6th-smartwatch-has-a-3g-modern-and-a-massive-curved-display/>>.

Microsoft Band 2 Fitness Tracker with Curved Screen Announced, posted Oct. 7, 2015, [retrieved Jun. 5, 2019]. Retrieved from Internet, <URL: <https://gadgetsin.com/microsoft-band-2-fitness-tracker-with-curved-screen-announced.html>>.

Samsung Introduces Three New Wearables for Balanced and Connected Living, Samsung Newsroom, posted Feb. 20, 2019, accessed Feb. 25, 2019. <URL: <https://news.samsung.com/us/samsung-wearable-galaxy-watch-active-galaxy-fit-galaxy-buds-unpacked-2019/>>.

Wang et al., “Integrity Protection for Code-On-Demand Mobile Agents,” Journal of Systems and Software, vol. 60, Issue 3, pp. 211-221, downloaded from: <https://www.researchgate.net/researcher/9579357TianhanWang>, Feb. 15, 2002.

Seifert, “Making Time: how Pebble built its next smartwatch,” downloaded from: <http://www.theverge.com/2015/2/24/8091175/pebble-time-watchwearable-platform-eric-migicovsky-interview>, The Verge, Feb. 24, 2015.

Fitbit Charge 3 leak hints at massive changes, posted Aug. 14, 2018, [retrieved Jan. 29, 2019]. Retrieved from Internet, <URL: <https://www.slashgear.com/fitbit-charge-3-leak-hints-at-massive-changes-14541228/>>.

New Fitbit is a waterproof smartwatch in disguise, posted Aug. 28, 2018, [retrieved Jan. 29, 2019]. Retrieved from Internet, <URL: https://www.fox5vegas.com/archives/new-fitbit-is-a-waterproof-smartwatch-in-disguise/article_277bf36f-2e79-5b48-b490-1abce7603fae.html>.

Silicone Rubber Waterproof Watch Strap Band FORTE Spring Bars, for sale at eBay (<https://www.ebay.com.au/itm/Silicone-Rubber-Waterproof-Watch-Strap-Band-FORTE-Spring-Bars-20mm-22mm-24mm-/272077865335>). Website accessed Dec. 6, 2019.

Kartice Compatible with Fitbit Inspire Bands/Fitbit Inspire HR Bands, for sale at www.amazon.com. Website accessed Jun. 10, 2019.

Tuscom Replacement Bands Compatible with Fitbit Inspire and Fitbit Inspire HR, for sale at www.amazon.com. Website accessed Jun. 10, 2019.

Acbee Fitbit alta Band, Watch Buckle Design, for sale on amazon.com (https://www.amazon.com/ACBEE-Perfect-Replacement-Original-Band-Neve/dp/B01G2IECXO/ref=as_li_ss_tlie=UTF8&linkCode=sll1&tag=mbyte-20&linkId=d7045d83d76ae70cec2212,2019.55ad2f282088&linkCode=w61&imprToken=n-LMJ6kaAeLbRPMusOUq7A&slotNum=14). Website accessed Jun. 12, 2019.

Gold premium NATO strap Le Mans, for sale at cheapestnatostraps.com (<https://www.cheapestnatostraps.com/products/gold-premium-nato-strap-le-mans>). Website accessed Dec. 6, 2019.

Alfawise H19 RFID Sports Smartwatch Fitness Tracker for sale at gearbest.com (https://www.gearbest.com/smart-watches/pp_009207049039.html?wid=1433363). Website accessed Dec. 6, 2019.

Fitbit Versa Smartwatch and Activity Tracker with Classic Band for sale at HSN (<https://www.hsn.com/products/fitbit-versa-smartwatch-and-activity-tracker-with-class/8688605>). Website accessed Dec. 6, 2019.

Fitbit Versa Smartwatch for sale at kohls.com (<https://www.kohls.com/product/prd-3296179/fitbit-versa-smart-fitness-watch-non-nfc.jsp>). Website accessed Dec. 6, 2019.

Princeton University 18mm NATO Watch Strap with Silver Fittings for sale at Smart Turnout (<https://smarturnout.com/university-watchstrap-princeton-university/>). Website accessed Dec. 6, 2019.

Fitbit Ace 2 activity tracker for kids 6+, for sale at fitbit.com (<https://www.fitbit.com/us/products/trackers/ace2?sku=414BKBU>). Website accessed Jan. 2020.

Samsung Galaxy Fit, Black, available from Samsung (<https://www.samsung.com/us/mobile/wearables/smart-fitness-bands/samsung-galaxy-fit-sm-r370nzkaxar/>). Website accessed Mar. 16, 2020.

“Colorful TPE Strap Replacement Sport Wrist Watch Band for Xiaomi Miband 3 Miband 4—No. 2” available from Banggood (https://www.banggood.in/Colorful-TPE-Strap-Replacement-Sport-Wrist-Watch-Band-for-Xiaomi-Miband-3-Miband-4-p-1307559.html?ID=529070&cur_warehouse=CN). Website accessed Mar. 16, 2020.

U.S. Appl. No. 29/706,974, filed Sep. 25, 2019, applicant Fitbit, Inc.

U.S. Appl. No. 29/712,115, filed Nov. 5, 2019, applicant Fitbit, Inc.

U.S. Appl. No. 29/710,723, filed Oct. 25, 2019, applicant Fitbit, Inc.

U.S. Appl. No. 29/635,224, filed Jan. 29, 2018, applicant Fitbit, Inc.

U.S. Appl. No. 29/721,845, filed Jan. 23, 2020, applicant Fitbit, Inc.

U.S. Appl. No. 29/721,870, filed Jan. 23, 2020, applicant Fitbit, Inc.

U.S. Appl. No. 29/722,312, filed Jan. 28, 2020, applicant Fitbit, Inc.

U.S. Appl. No. 29/722,314, filed Jan. 28, 2020, applicant Fitbit, Inc.

U.S. Appl. No. 29/725,314, filed Feb. 24, 2020, applicant Fitbit, Inc.

U.S. Appl. No. 29/645,397, filed Apr. 25, 2018, applicant Fitbit, Inc.

U.S. Appl. No. 29/708,648, filed Oct. 8, 2019, applicant Fitbit, Inc.

U.S. Appl. No. 29/707,456, filed Sep. 27, 2019, applicant Fitbit, Inc.

U.S. Appl. No. 29/656,638, filed Jul. 13, 2018, applicant Fitbit, Inc.

U.S. Appl. No. 29/671,144, filed Nov. 24, 2018, applicant Fitbit, Inc.

U.S. Appl. No. 29/669,190, filed Nov. 6, 2018, applicant Fitbit, Inc.

U.S. Appl. No. 29/702,572, filed Aug. 20, 2019, applicant Fitbit, Inc.

U.S. Appl. No. 29/702,946, filed Aug. 22, 2019, applicant Fitbit, Inc.

U.S. Appl. No. 29/702,703, filed Aug. 21, 2019, applicant Fitbit, Inc.

U.S. Appl. No. 29/688,946, filed Apr. 25, 2019, applicant Fitbit, Inc.

U.S. Appl. No. 29/702,397, filed Aug. 19, 2019, applicant Fitbit, Inc.

U.S. Appl. No. 29/705,182, filed Sep. 10, 2019, applicant Fitbit, Inc.

U.S. Appl. No. 29/711,032, filed Oct. 28, 2019, applicant Fitbit, Inc.

U.S. Appl. No. 29/725,309, filed Feb. 24, 2020, applicant Fitbit, Inc.

U.S. Appl. No. 29/725,313, filed Feb. 24, 2020, applicant Fitbit, Inc.

“New Fitbit Versa on the way with built-in Amazon Alexa?” Source: androidauthority.com (<https://www.androidauthority.com/fitbit-versa-2-amazon-alexa-1014860/>). Website accessed Mar. 30, 2020.

Connect by Timex Active Smartwatch with Heart Rate, Notifications and Activity Tracking, available at Amazon.com (<https://www.amazon.com/iConnect-Timex-TW5M34400-Active-Smartwatch/dp/B07XZRQBGV>). Website accessed Mar. 30, 2020.

Alfawise H19 RFID Sports Smartwatch Fitness Tracker—Black, available at gearbest.com (https://www.gearbest.com/smart-watches/pp_009207049039.html?wid=1433363). Website accessed Mar. 30, 2020.

Ergofinity™ Bluetooth Smart Watch available at ergofinity.com (<https://ergofinity.com/products/bluetooth-smart-watch-os-android>). Website accessed Mar. 30, 2020.

Amazfit BIP Lite 3ATM Smart Watch (Blue) available at amazon.in (https://www.amazon.in/Amazfit-Lite-3ATM-Smart-Watch/dp/B07WOWDYJ7/ref=asc_df_B07WQWDYJ7/?tag=googleshopdes-21&linkCode=df0&hvadid=397082878775&hvpos=&hvnetw=g&hvrand=13400080515884943460&hvpone=&hvptwo=&hvqmt=&hvdev=c&hvdvcmdl=&hvlocint=&hvlocphy=1007765&hvtargid=pla-819594895182&pvc=1&ext_vmc=hi). Website accessed Mar. 30, 2020.

Silicone Sport wristband Watch band For Samsung Gear Fit 2 SM-R360 smart watch For Samsung Gear Fit 2 watchbands Accessories, available at Ali Express (<https://www.aliexpress.com/item/32971838973.html>).

Watch Repair Tool Stainless Connector Watch Accessory for Samsung Gear Fit 2 Pro Replace Tools Connect Device For Gear Fit 2, available at Ali Express (https://www.aliexpress.com/item/32953625569.html?aff_platform=dynamic-window&sk=AMnm2vF&aff_trace_

key=fb0d3327f41349d3b416c0af3d374d93-1584617558441-08967-AMnm2vF&terminal_id=830dca5b7b89422b94f85b0le7764&aff_request_id=fb0d3327f41349d3b416c0af3d374d93-1584617558441-08967-AMnm2vF). Website accessed Mar. 30, 2020.

U.S. Appl. No. 29/712,571, filed Nov. 8, 2019, applicant Fitbit, Inc.

U.S. Appl. No. 29/716,025, filed Dec. 5, 2019, applicant Fitbit, Inc.

U.S. Appl. No. 29/728,323, filed Mar. 17, 2020, applicant Fitbit, Inc.

U.S. Appl. No. 29/728,402, filed Mar. 18, 2020, applicant Fitbit, Inc.

U.S. Appl. No. 29/728,447, filed Mar. 18, 2020, applicant Fitbit, Inc.

U.S. Appl. No. 29/705,460, filed Sep. 12, 2019, applicant Fitbit, Inc.

* cited by examiner

Primary Examiner — Sheryl Lane

Assistant Examiner — Calvin E Vansant

(74) *Attorney, Agent, or Firm* — Polson Intellectual Property Law, PC; Margaret Polson

(57)

CLAIM

The ornamental design for a removable band for a watch body, as shown and described.

DESCRIPTION

This application is related to application Ser. No. 29/635,224 filed Jan. 29, 2018, which is incorporated entirely by reference herein for all purposes.

FIG. 1 is a top, plan view of a first embodiment of a removable band for a watch body showing our new design

FIG. 2 is a bottom plan view of FIG. 1.

FIG. 3 is a right side elevation view of FIG. 1.

FIG. 4 is a left side elevation view of FIG. 1.

FIG. 5 is a back side elevation view of FIG. 1.

FIG. 6 is a front side elevation view of FIG. 1.

FIG. 7 is a close-up side elevation view of the attachment surface of FIG. 6.

FIG. 8 is an isometric view of FIG. 7.

FIG. 9 is a cross sectional view taken along line 9-9 of FIG. 12 directionally upward.

FIG. 10 is a cross sectional view taken along line 10-10 of FIG. 12 directionally downward.

FIG. 11 is a cross sectional view taken along line 11-11 of FIG. 12.

FIG. 12 is a close up side elevation view with lines showing the location of the cross sectional views.

FIG. 13 is a top, plan view of a second embodiment of a removable band for a watch body showing our new design

FIG. 14 is a bottom plan view of FIG. 13.

FIG. 15 is a right side elevation view of FIG. 13.

FIG. 16 is a left side elevation view of FIG. 13.

FIG. 17 is a back side elevation view of FIG. 13.

FIG. 18 is a front side elevation view of FIG. 13.

FIG. 19 is a close-up side elevation view of the attachment surface of FIG. 18.

FIG. 20 is an isometric view of FIG. 19.

FIG. 21 is a cross sectional view taken along line 21-21 of FIG. 24 directionally upward.

FIG. 22 is a cross sectional view taken along line 22-22 of FIG. 24 directionally downward.

FIG. 23 is a cross sectional view taken along line 23-24 of FIG. 24.

FIG. 24 is a close up side elevation view with lines showing the location of the cross sectional views.

FIG. 25 is a top, plan view of a third embodiment of a removable band for a watch body showing our new design

FIG. 26 is a bottom plan view of FIG. 25.

FIG. 27 is a right side elevation view of FIG. 25.
FIG. 28 is a left side elevation view of FIG. 25.
FIG. 29 is a back side elevation view of FIG. 25.
FIG. 30 is a front side elevation view of FIG. 25.
FIG. 31 is a close-up side elevation view of the attachment surface of FIG. 30.
FIG. 32 is an isometric view of FIG. 31.
FIG. 33 is a cross sectional view taken along line 33-33 of FIG. 36 directionally upward.
FIG. 34 is a cross sectional view taken along line 34-34 of FIG. 36 directionally downward.
FIG. 35 is a cross sectional view taken along line 35-35 of FIG. 36; and,
FIG. 36 is a close up side elevation view with lines showing the location of the cross sectional views.
The features shown in broken lines in the drawing depict portion of the removable band for a watch body that form no part of the claimed design. The dash dot dash lines represent unclaimed borders.

1 Claim, 24 Drawing Sheets

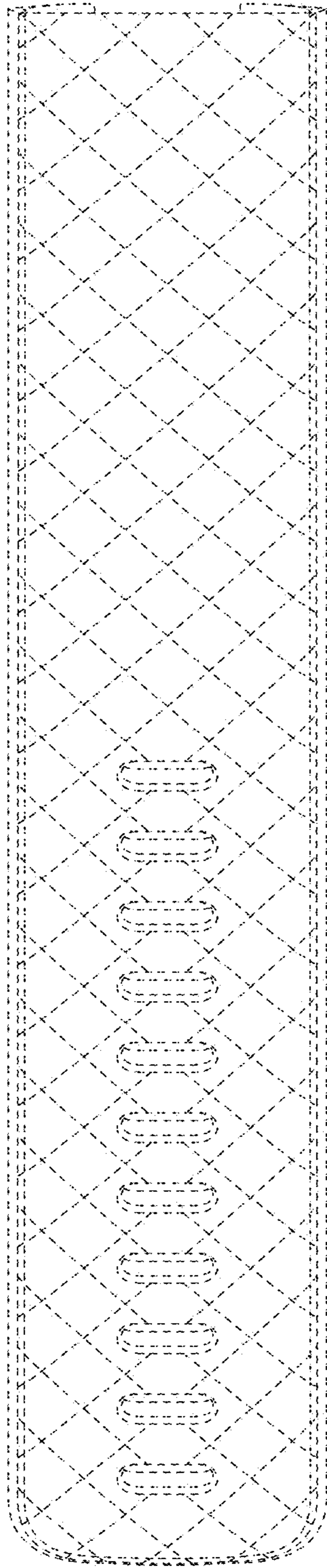


FIG. 1

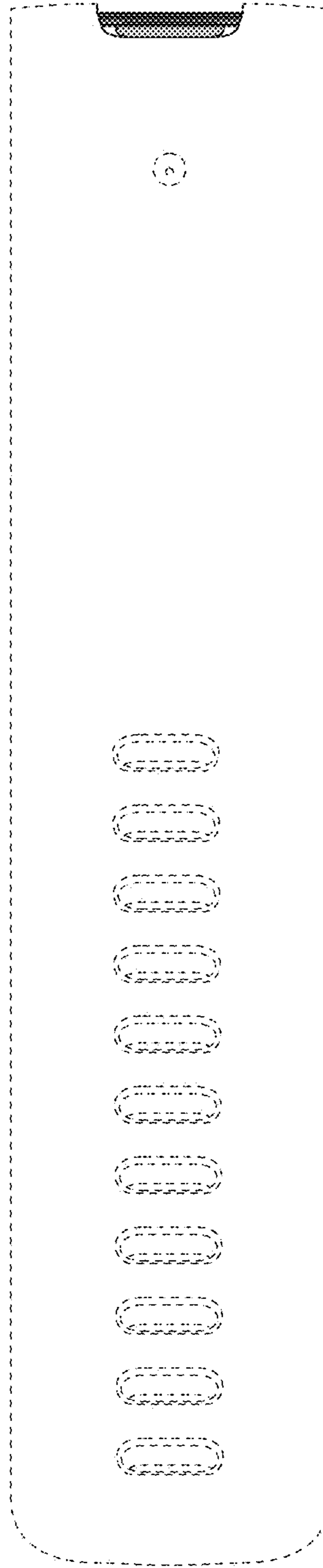


FIG. 2

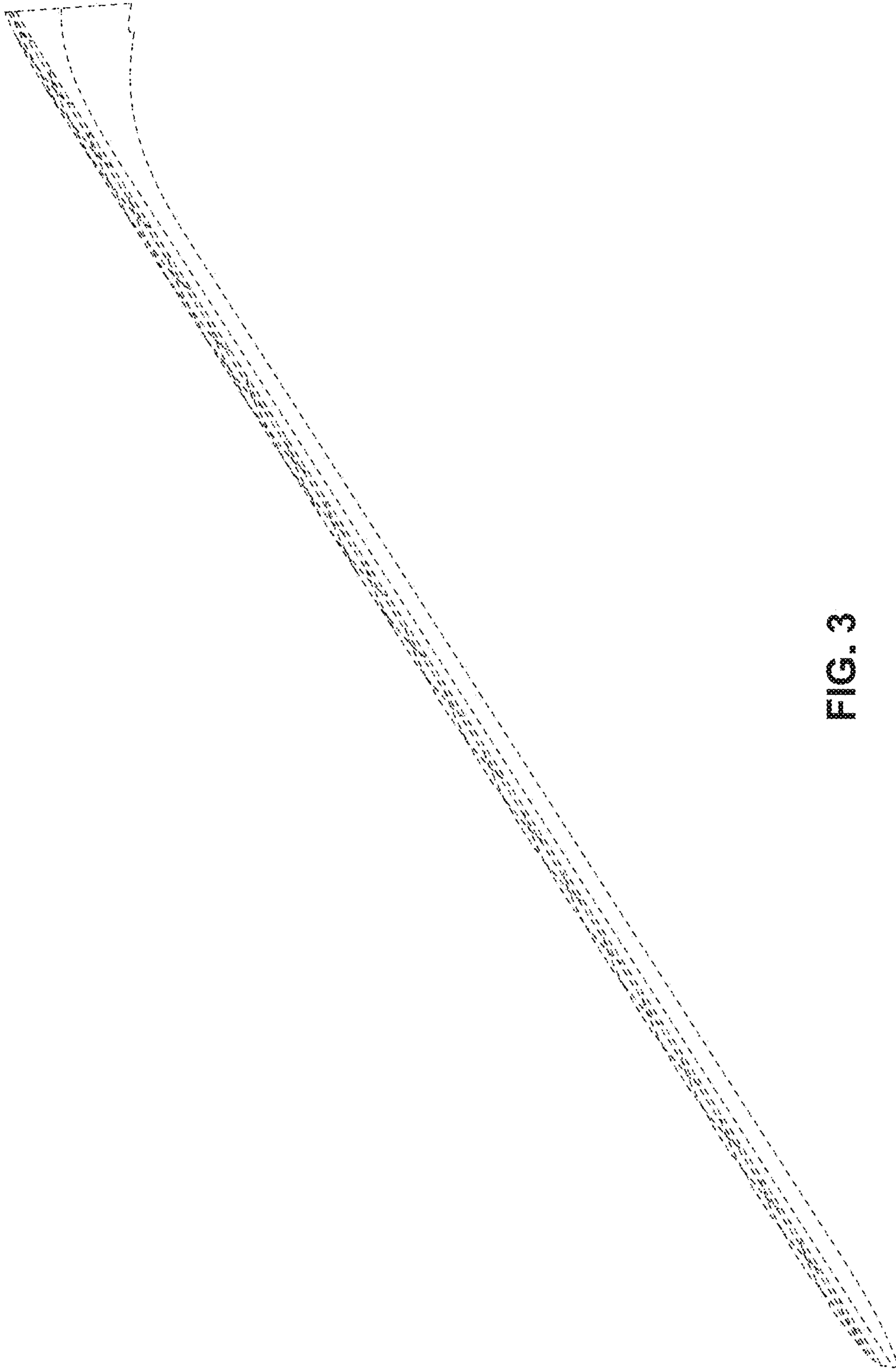


FIG. 3

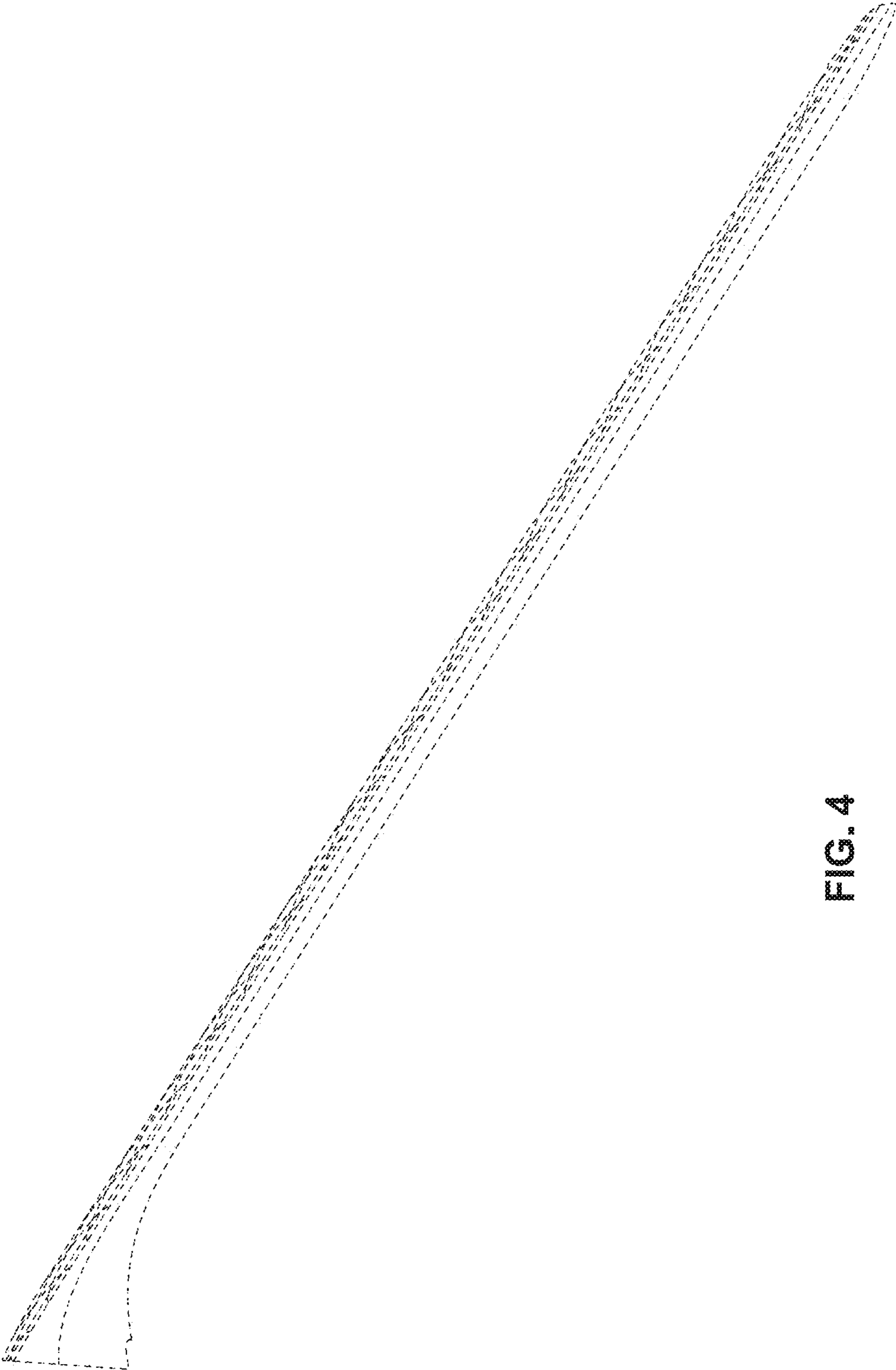


FIG. 4

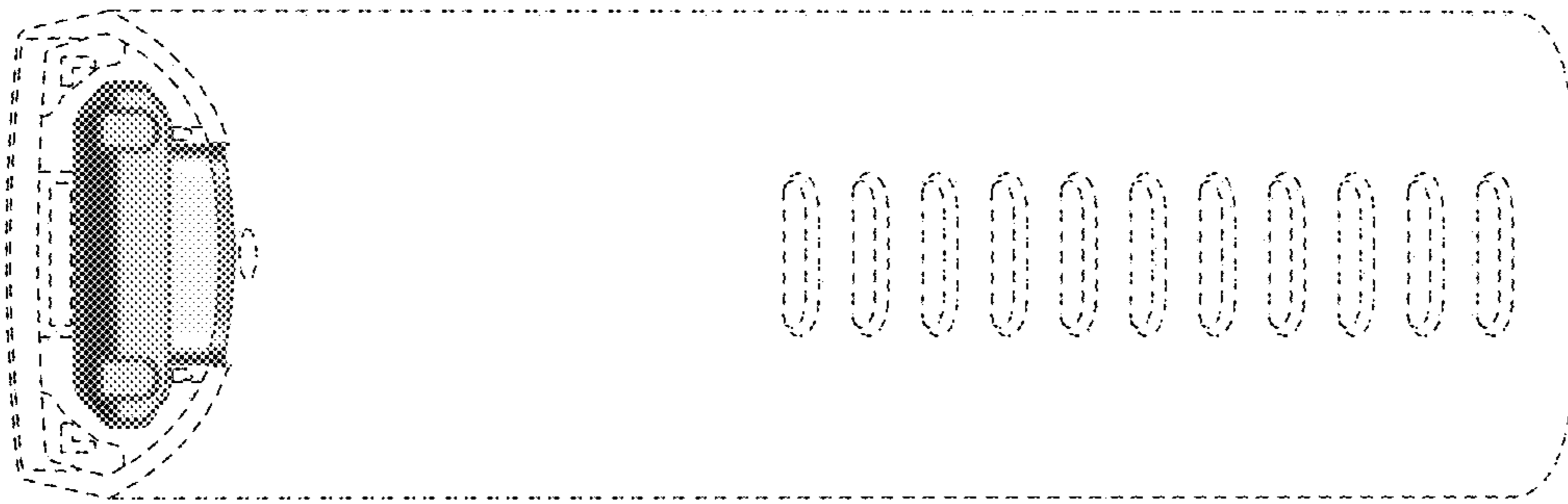


FIG. 6

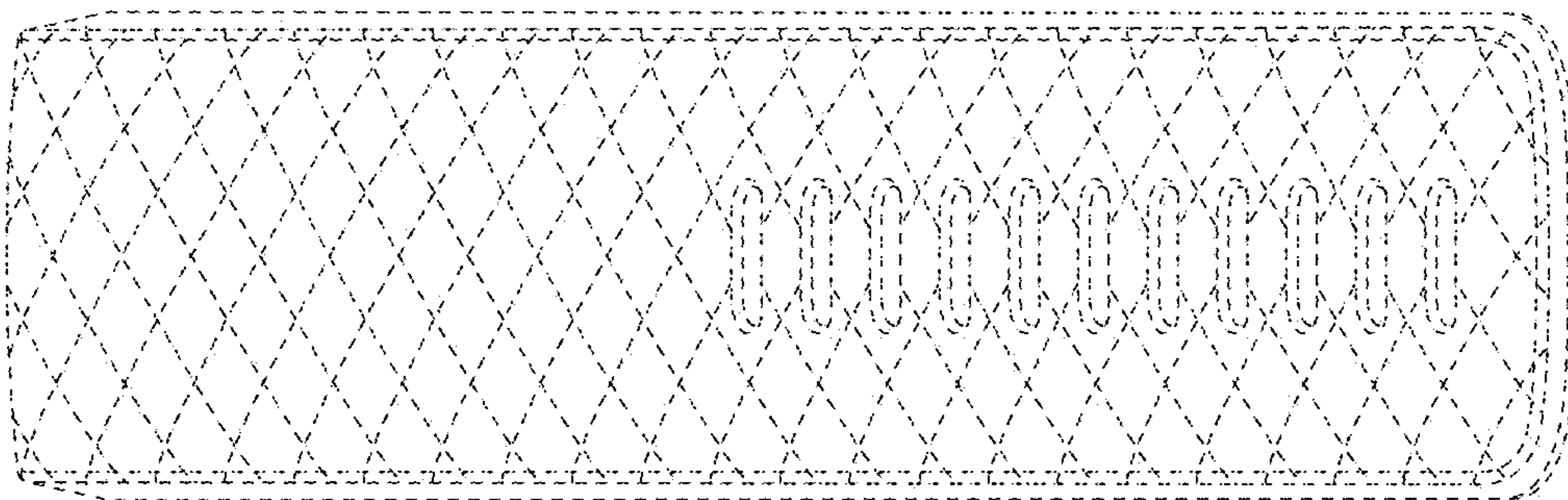


FIG. 5

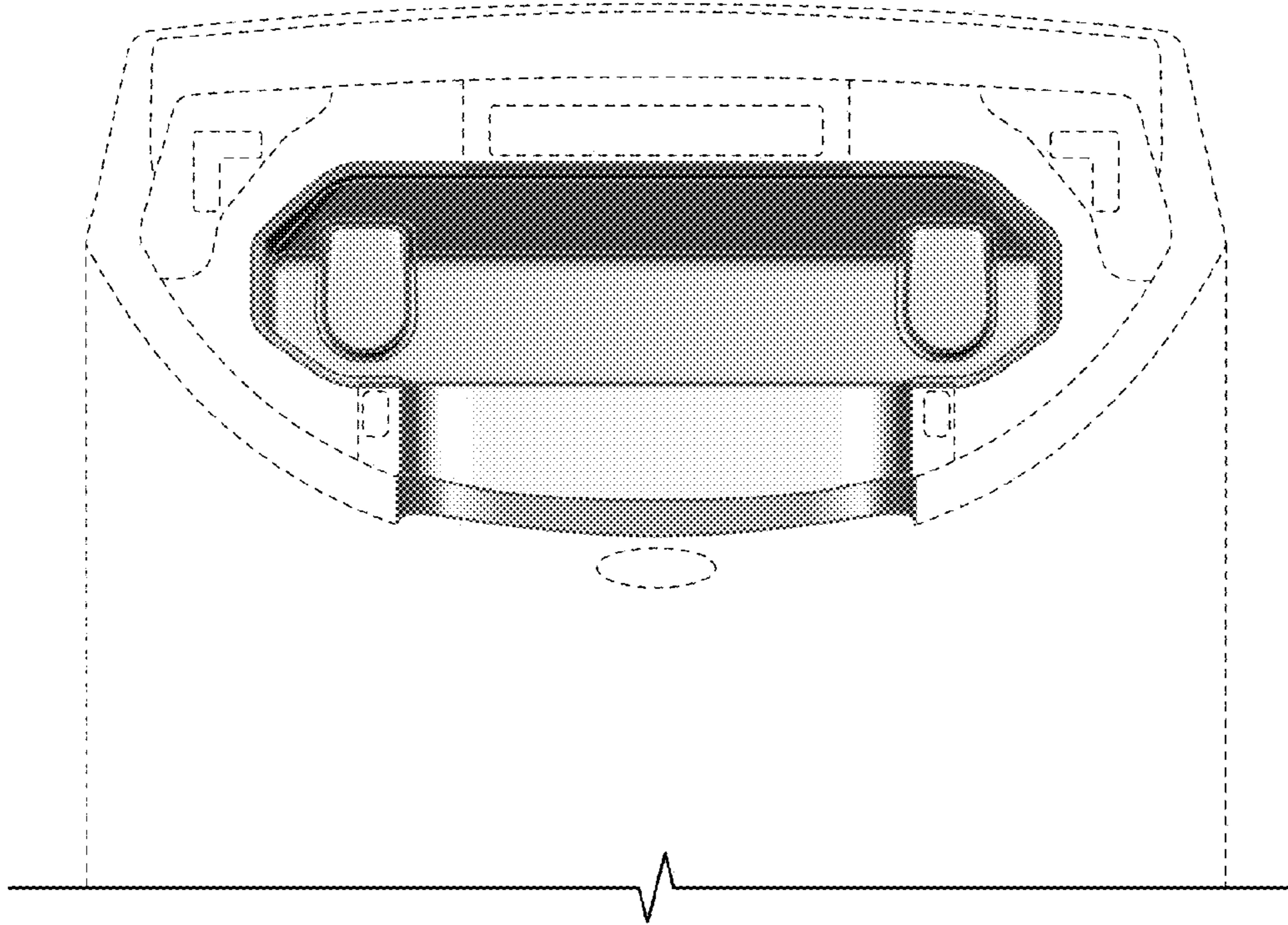


FIG. 7

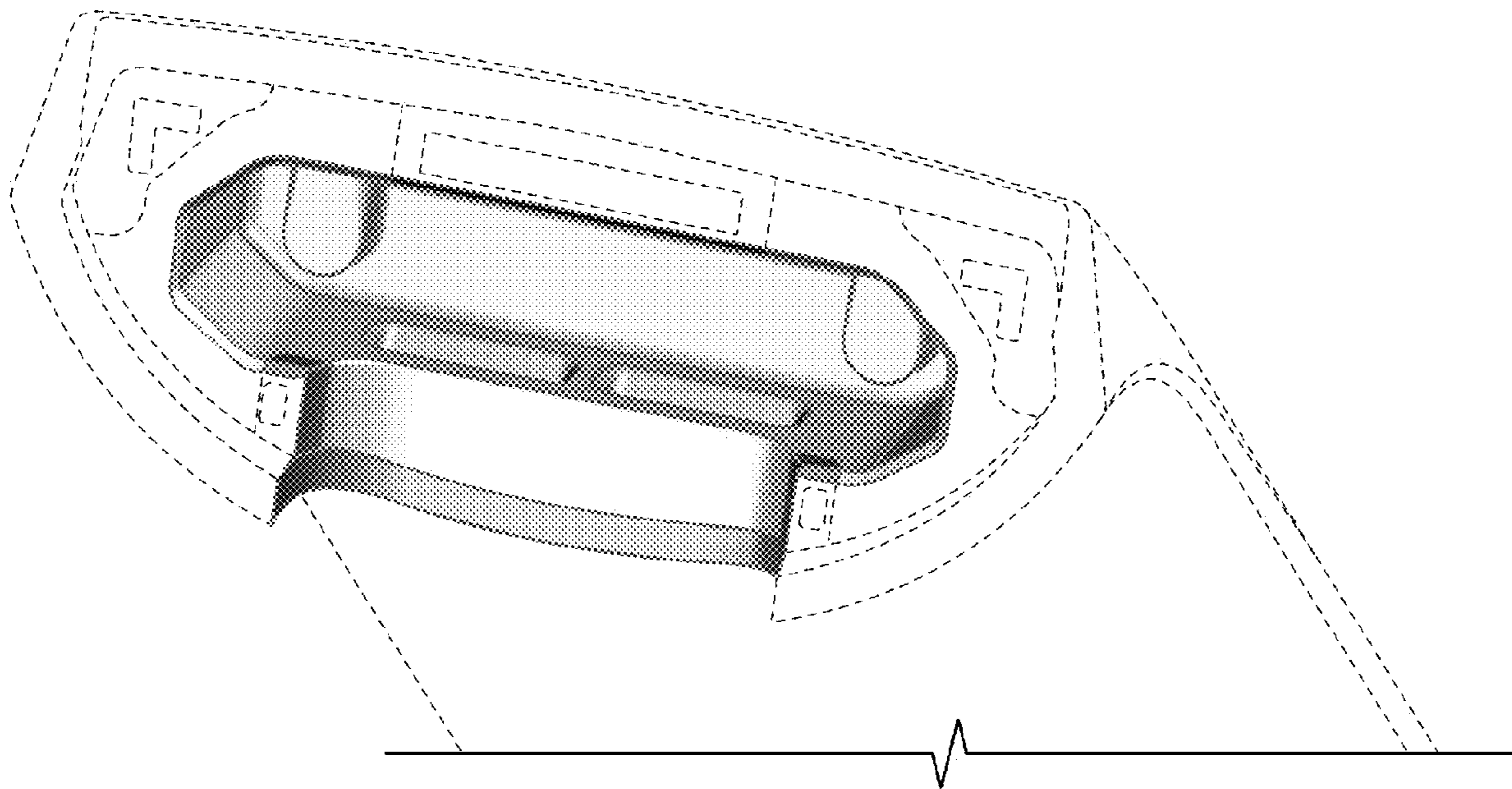


FIG. 8

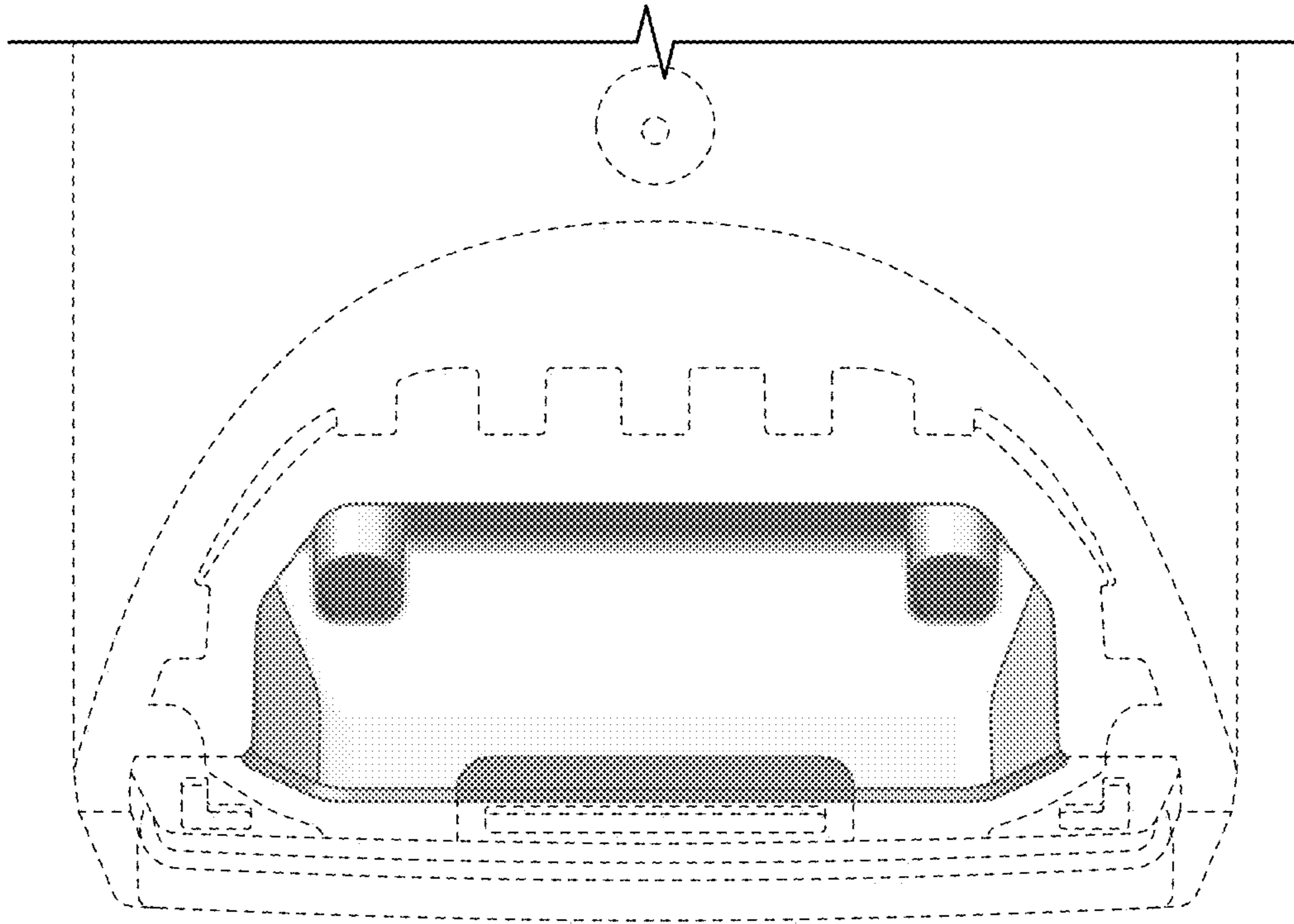


FIG. 9

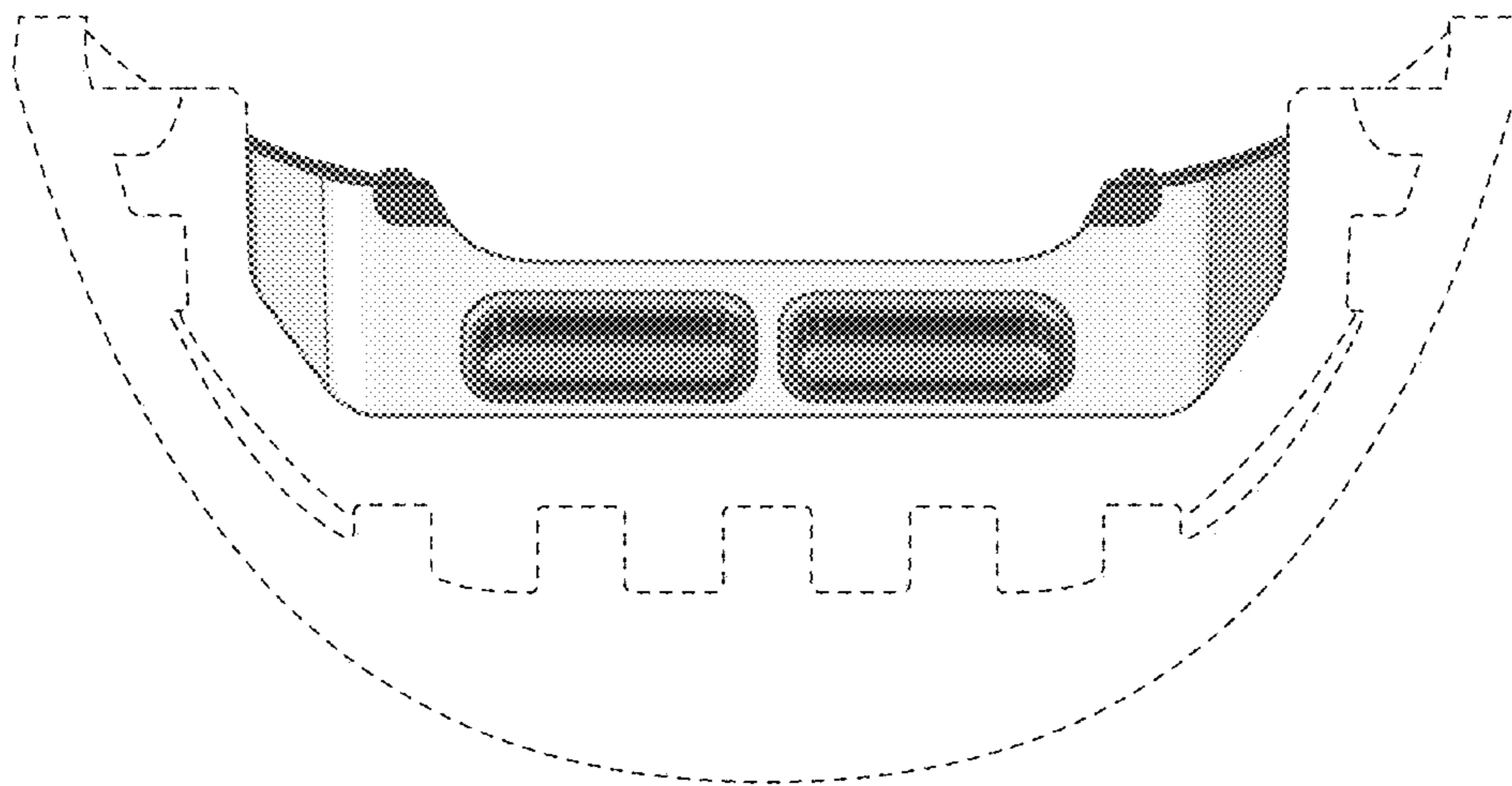


FIG. 10

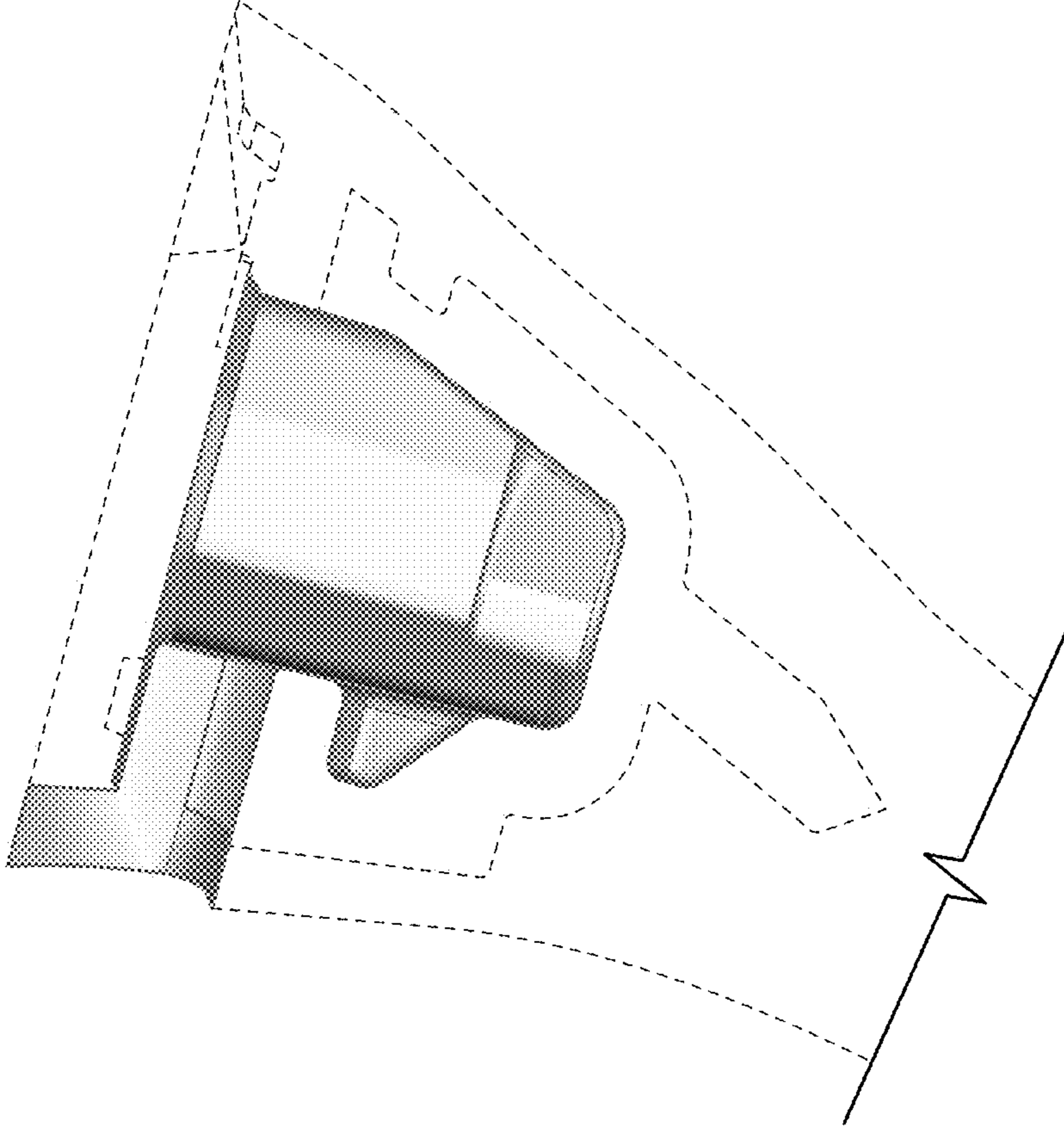


FIG. 11

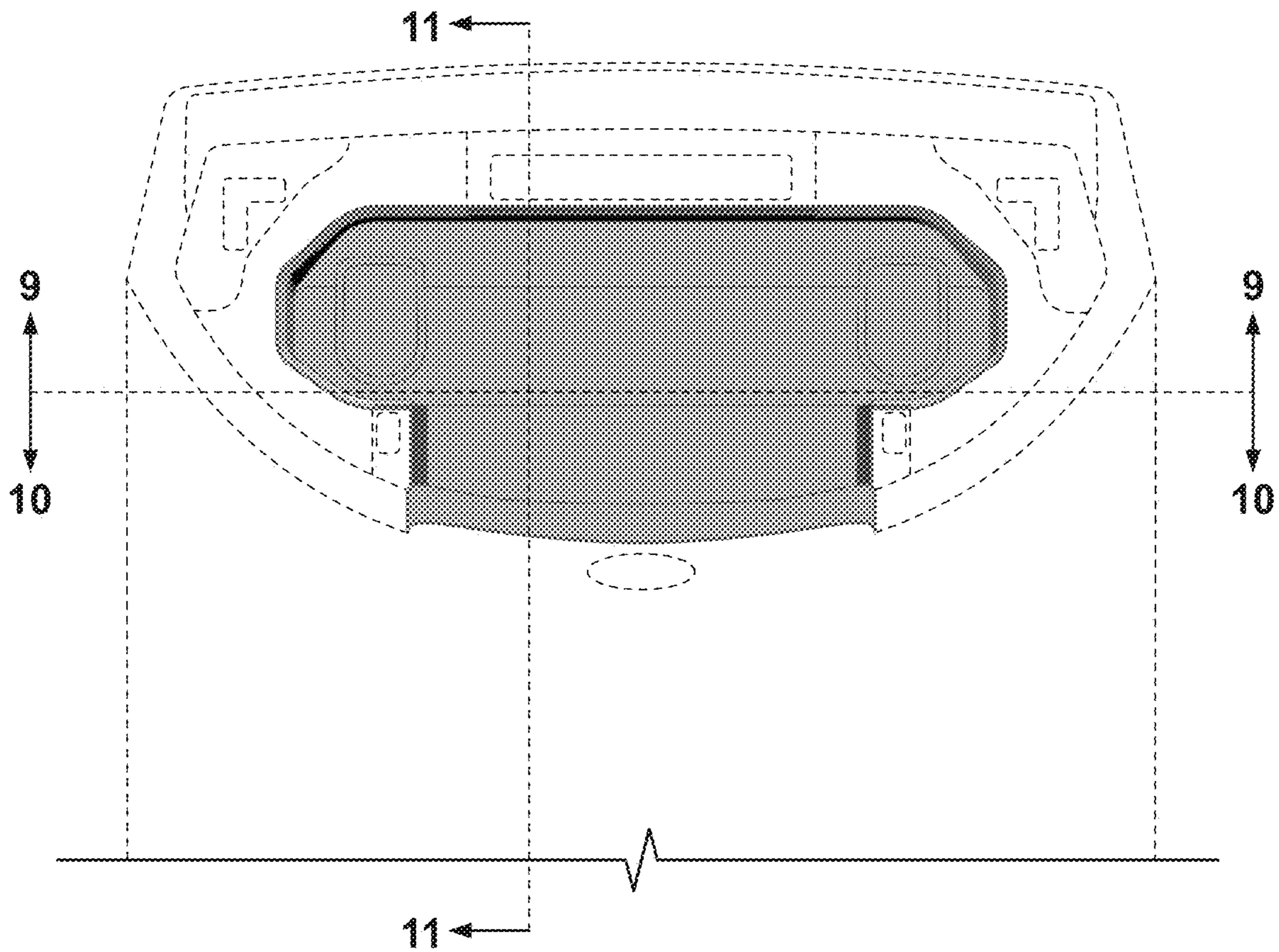


FIG. 12

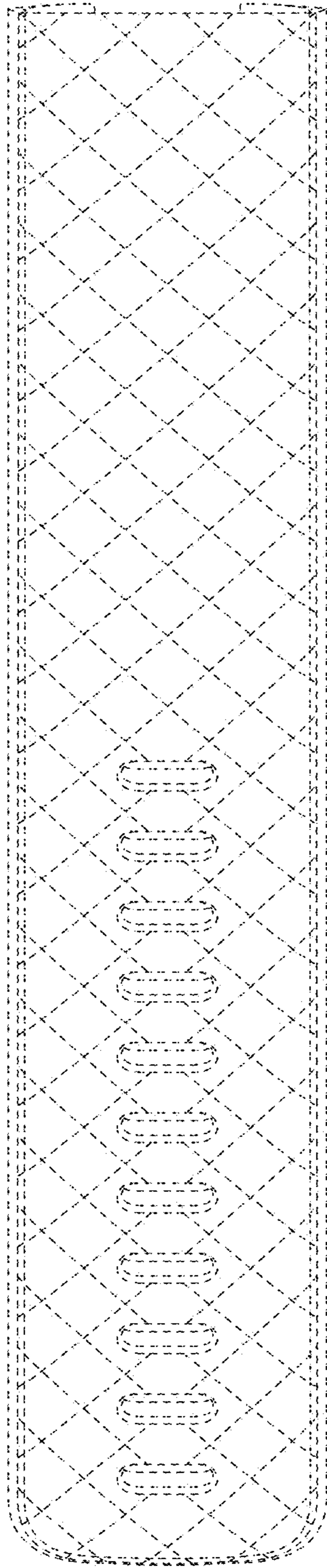


FIG. 13

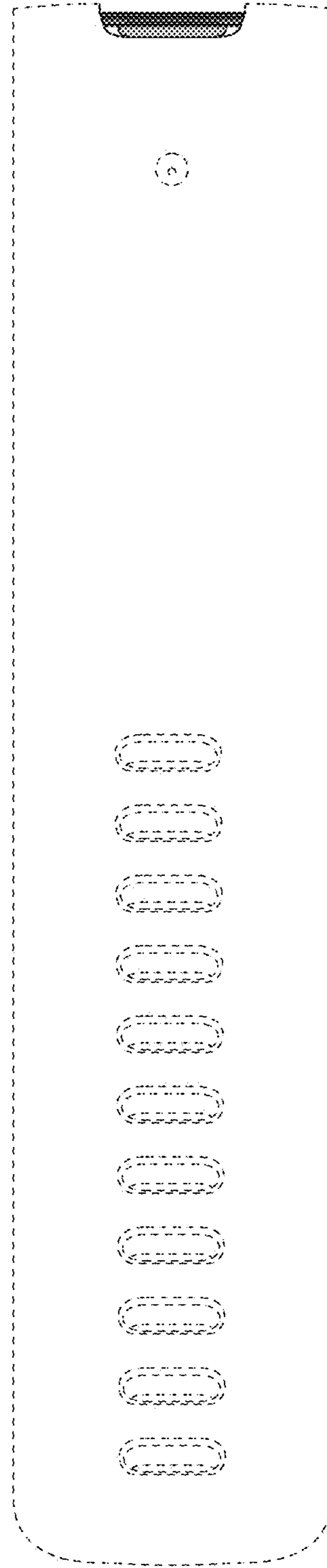


FIG. 14

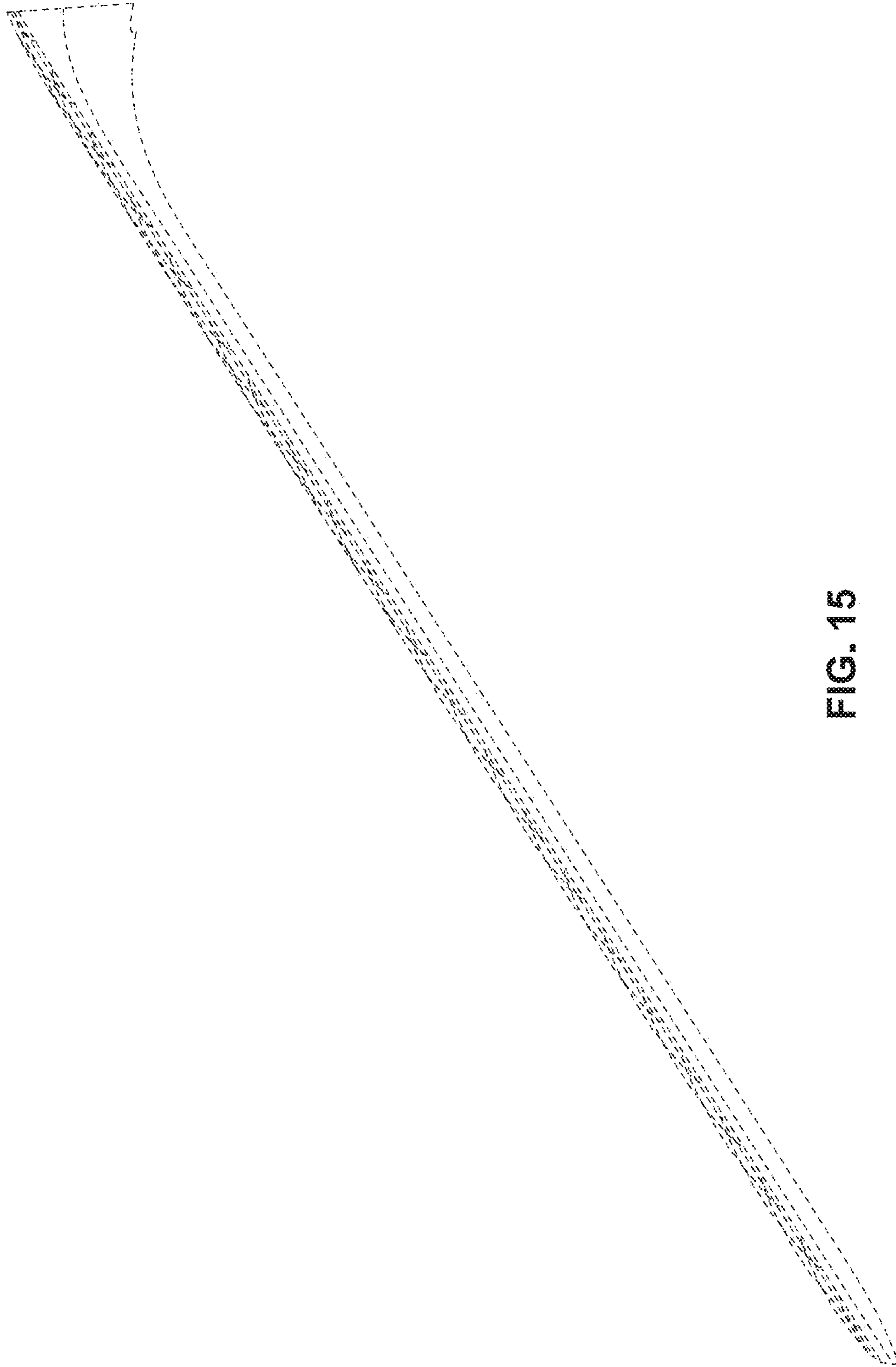


FIG. 15

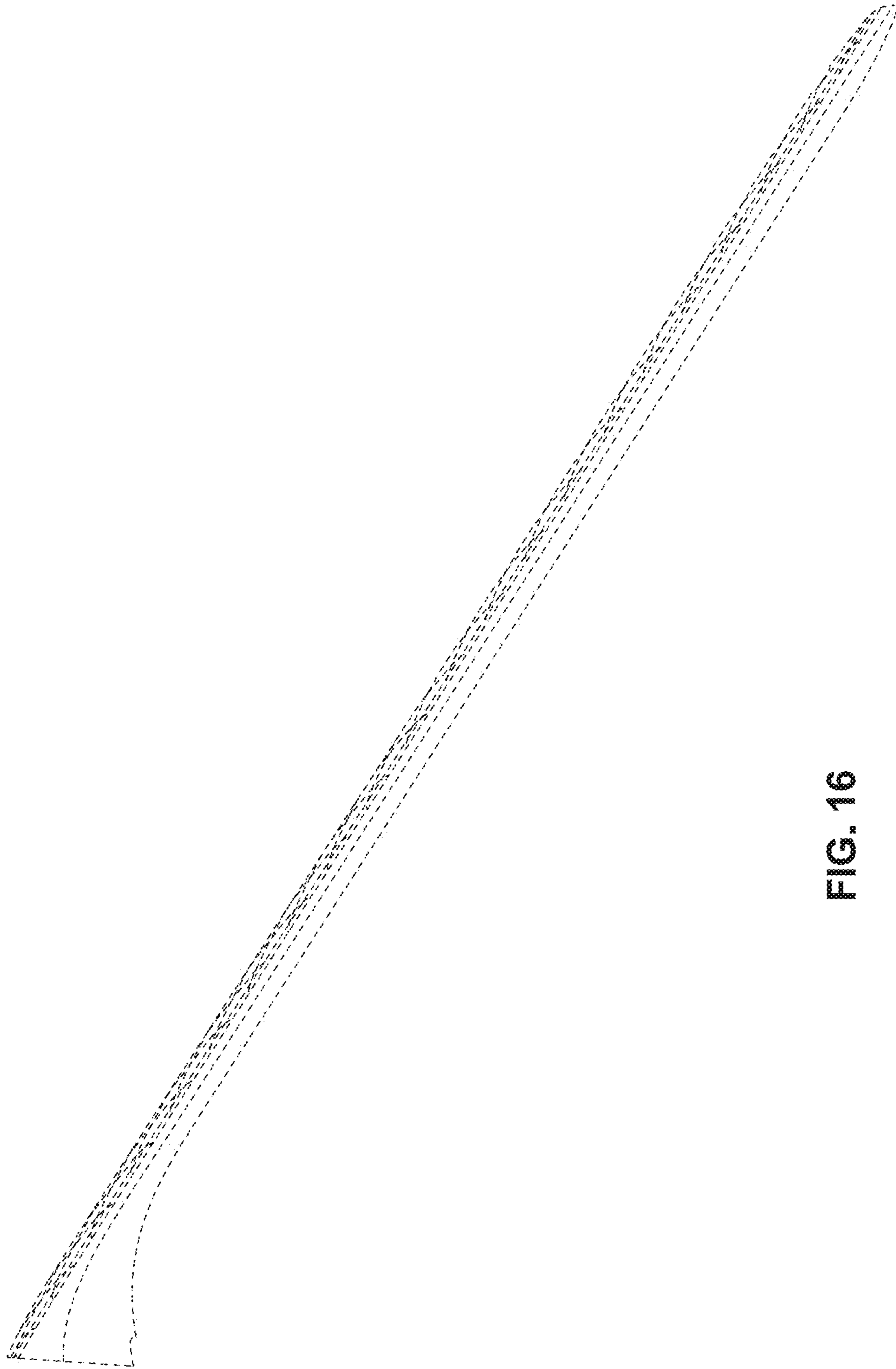


FIG. 16

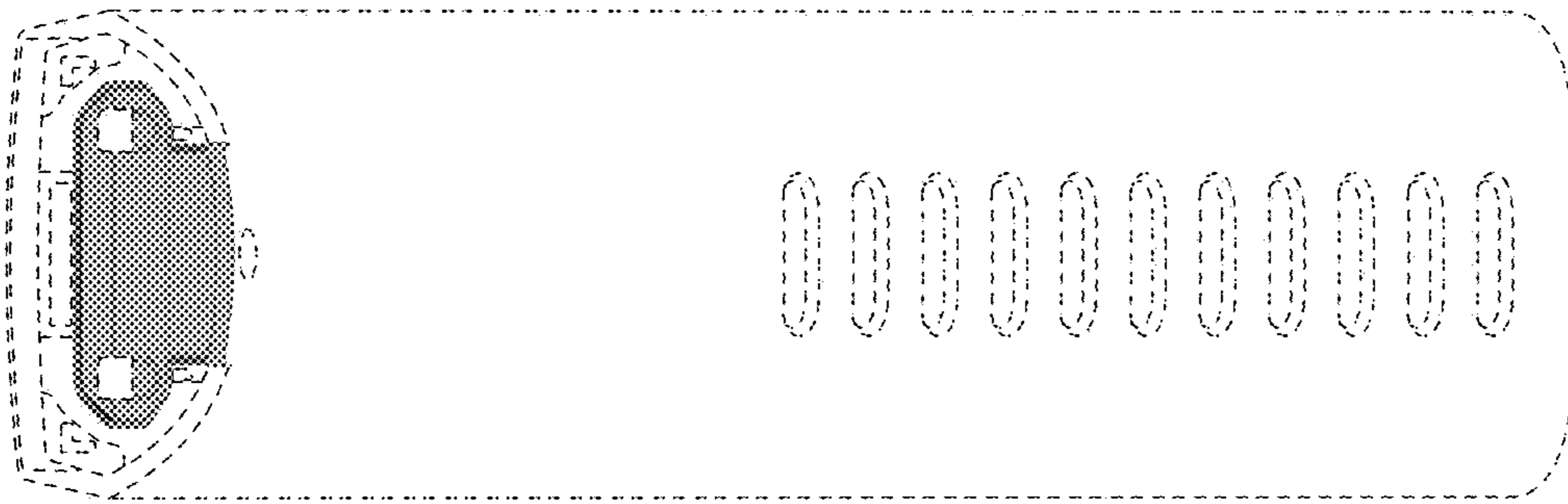


FIG. 18

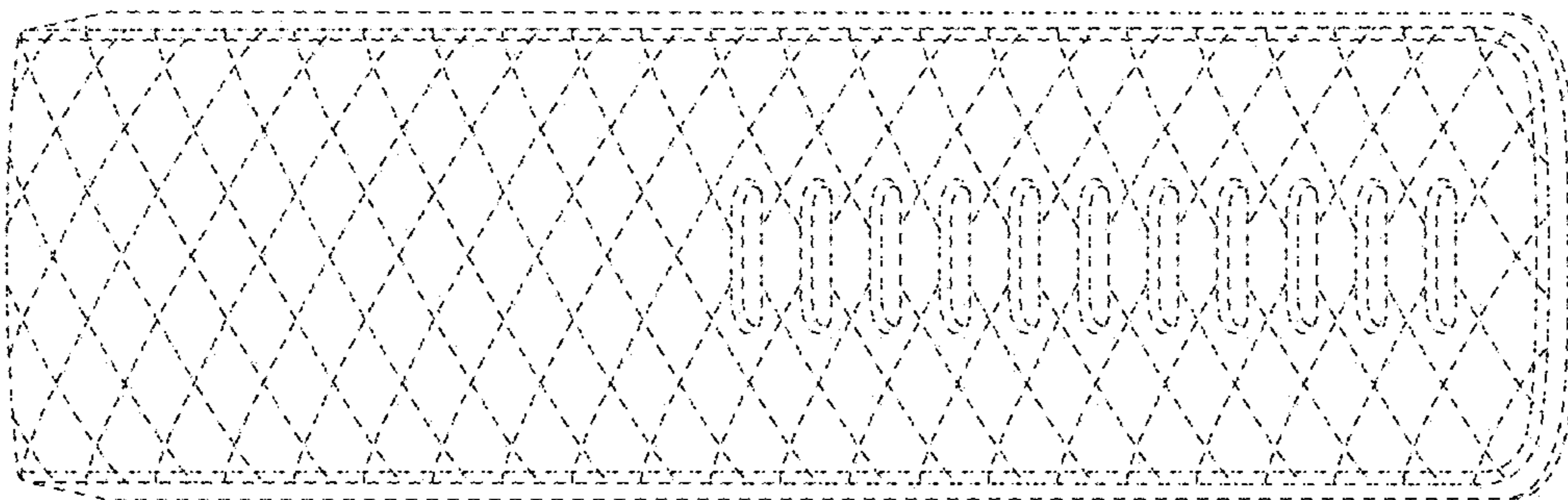


FIG. 17

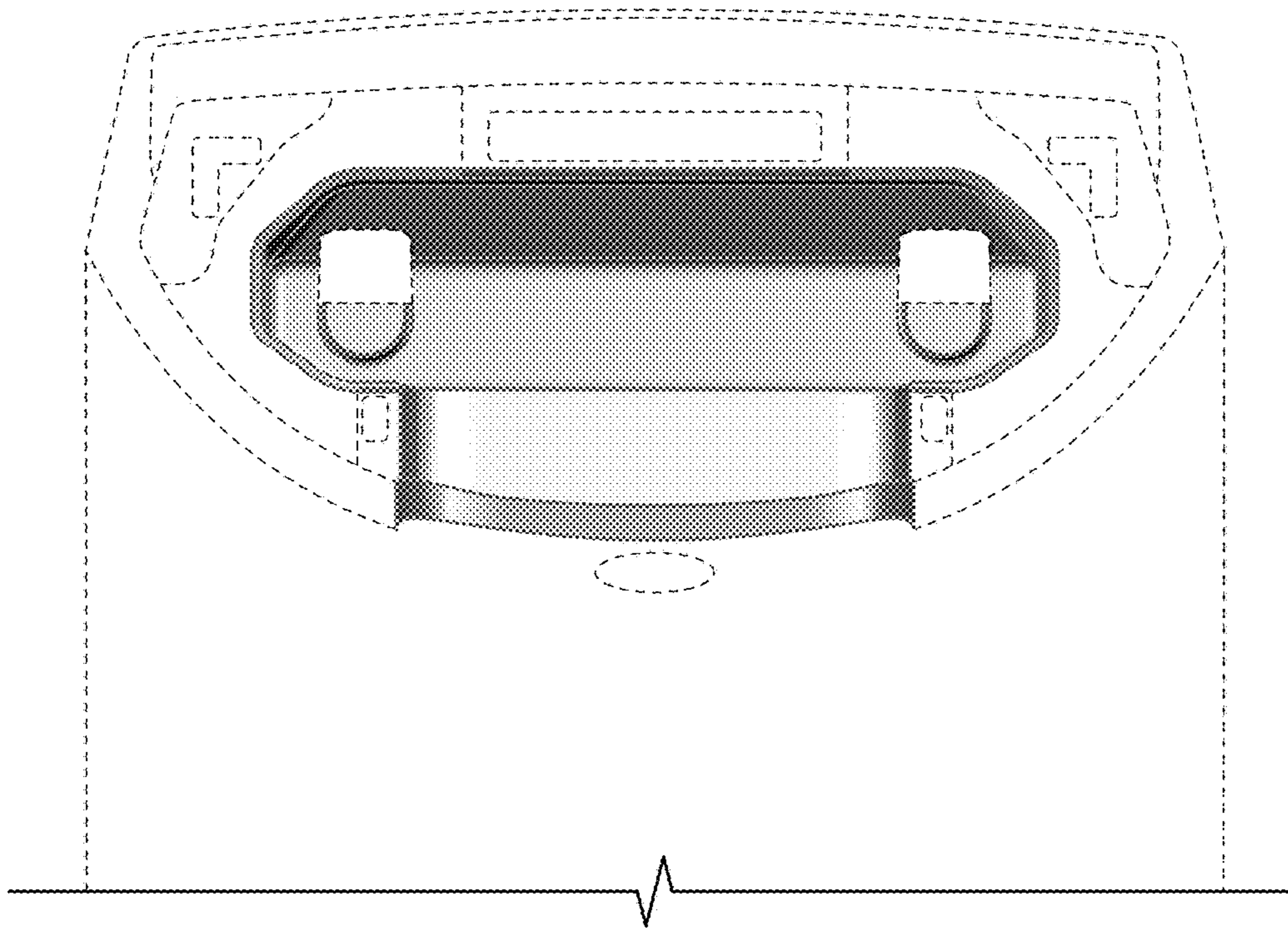


FIG. 19

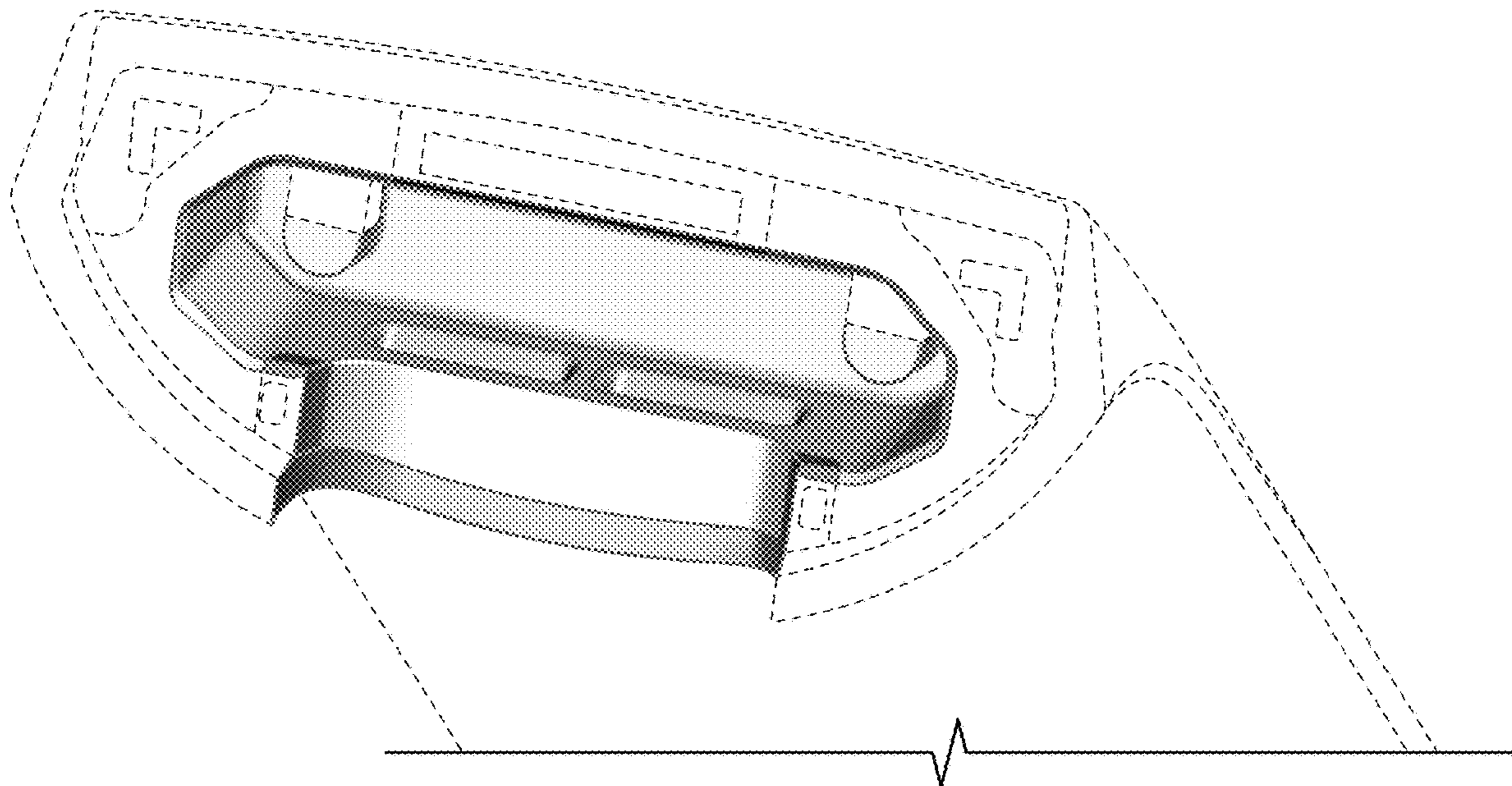


FIG. 20

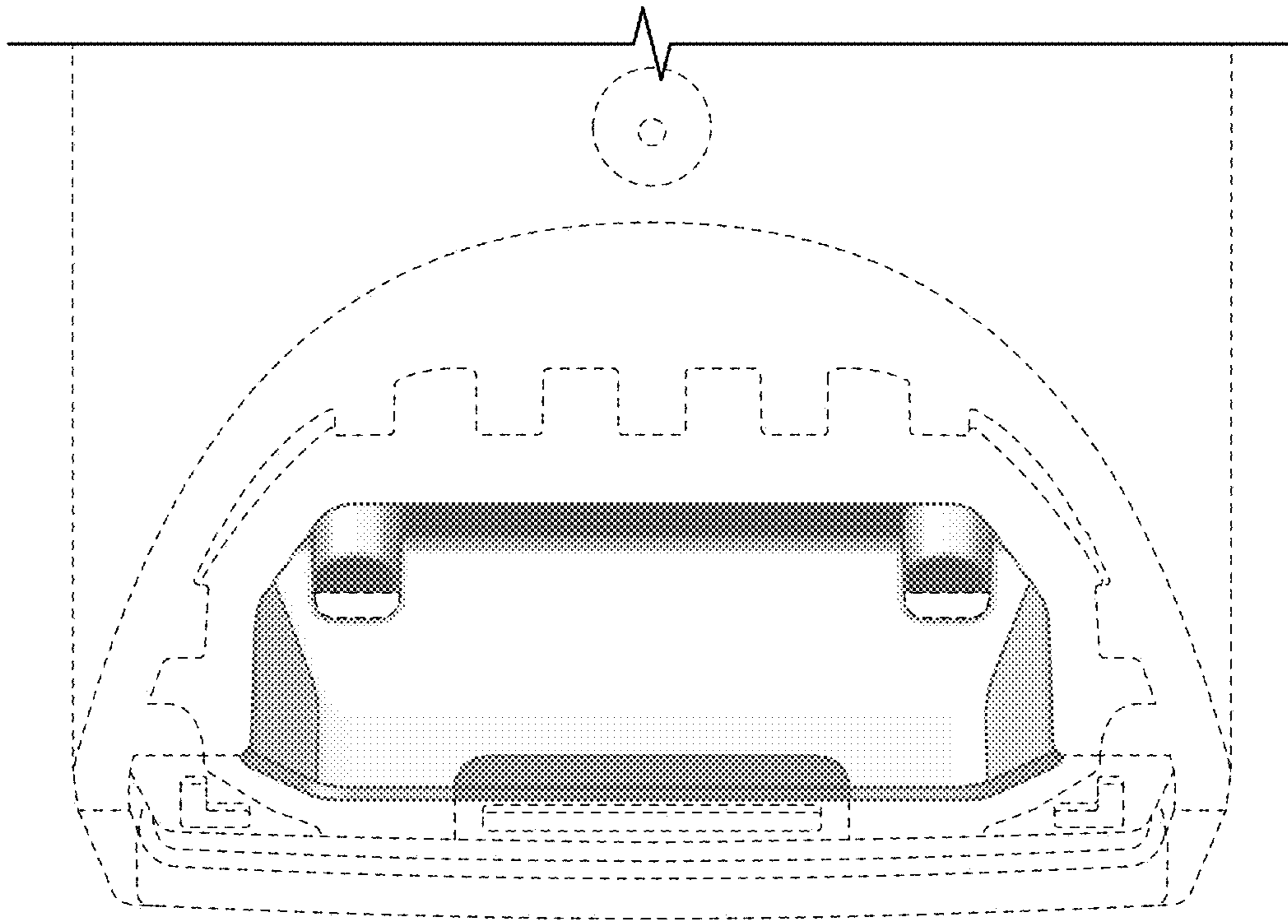


FIG. 21

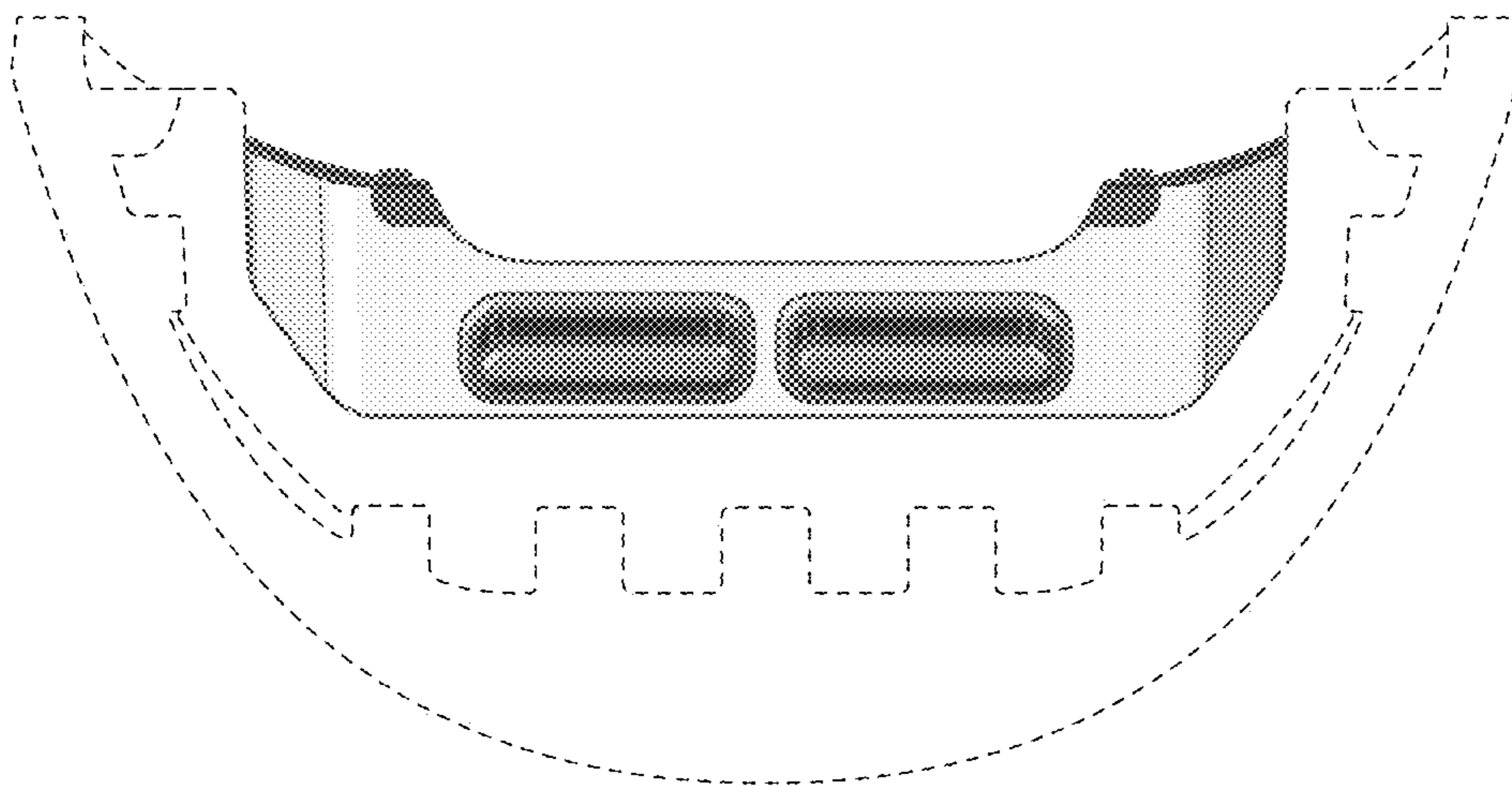


FIG. 22

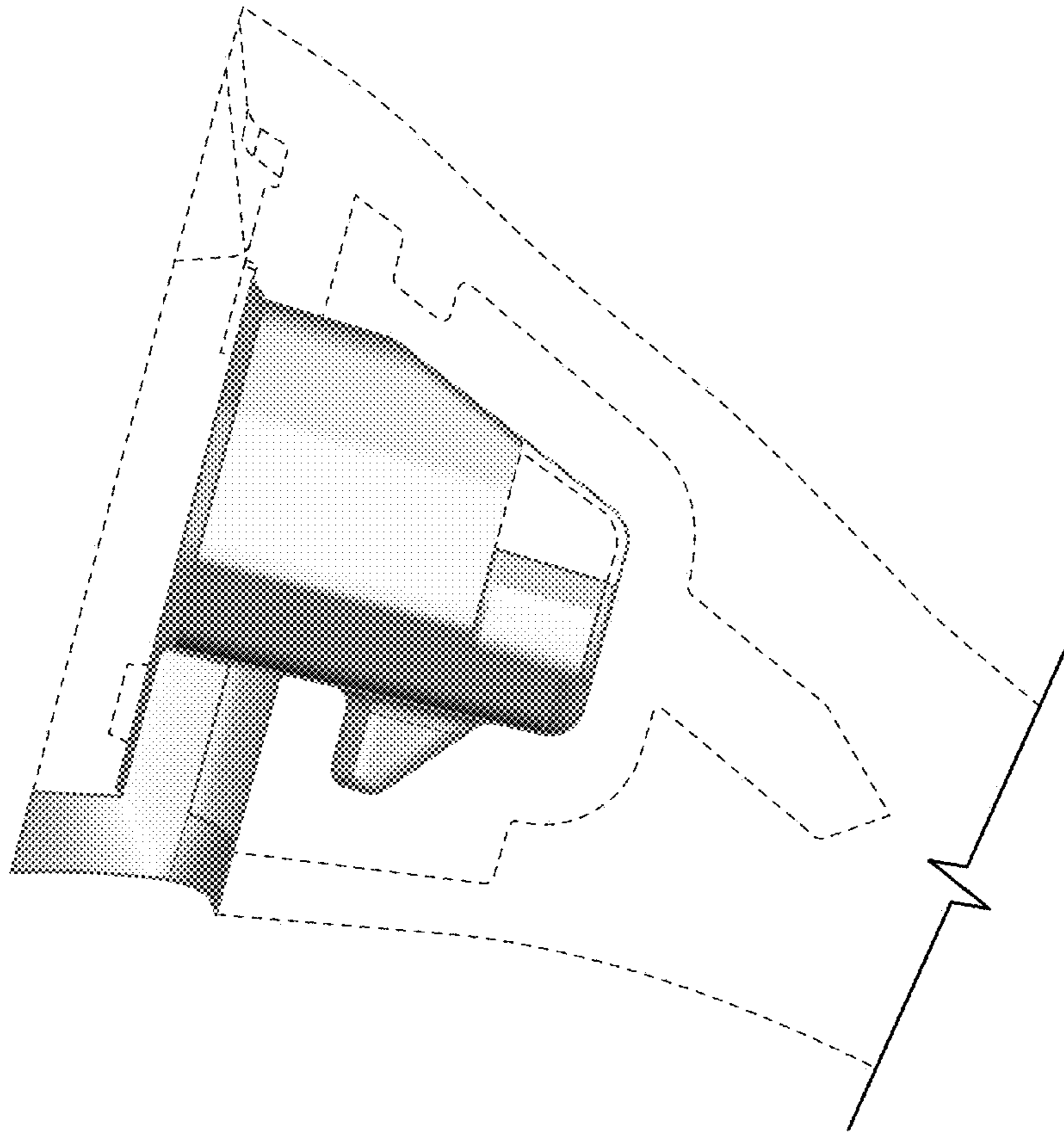


FIG. 23

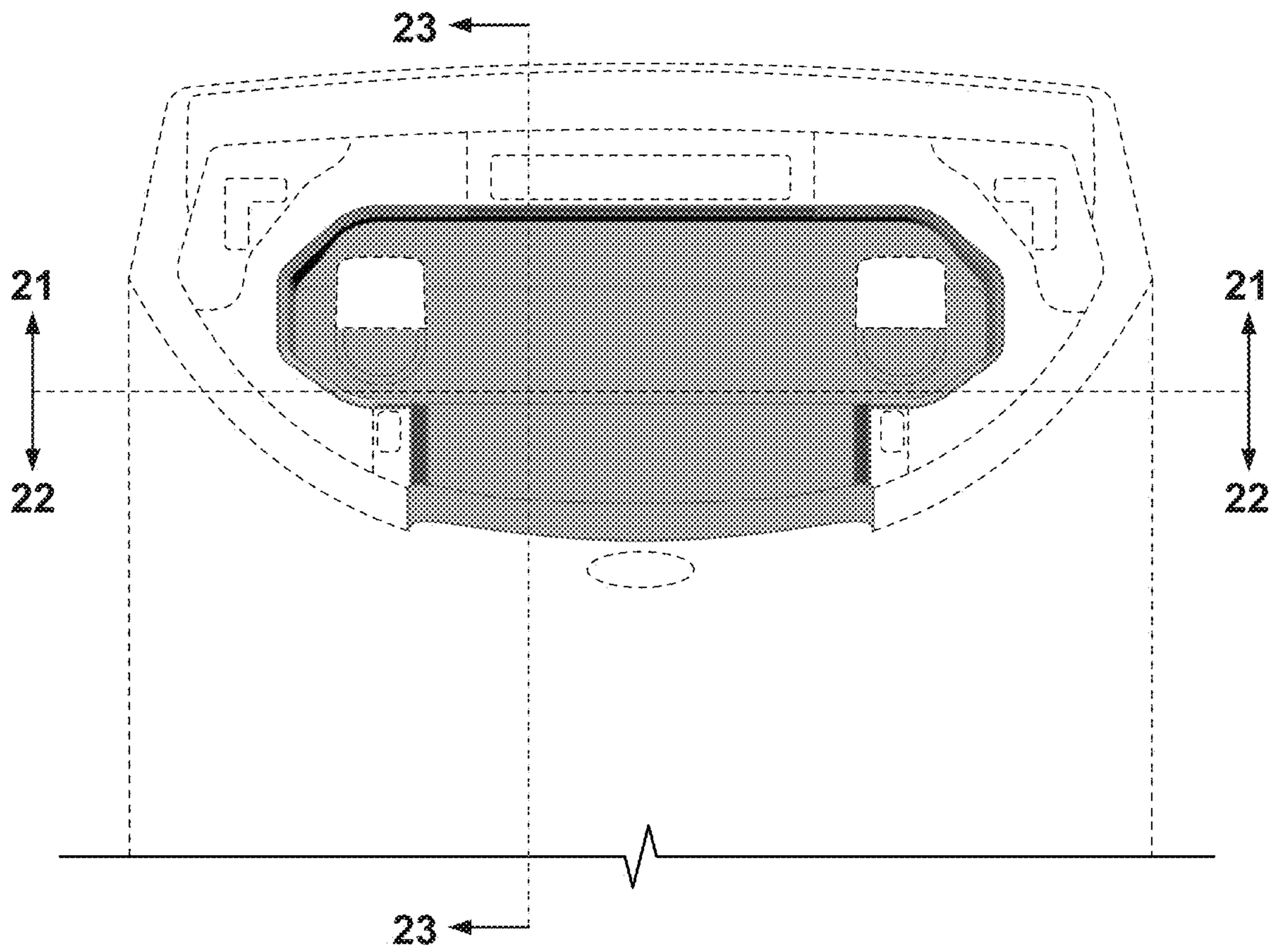


FIG. 24

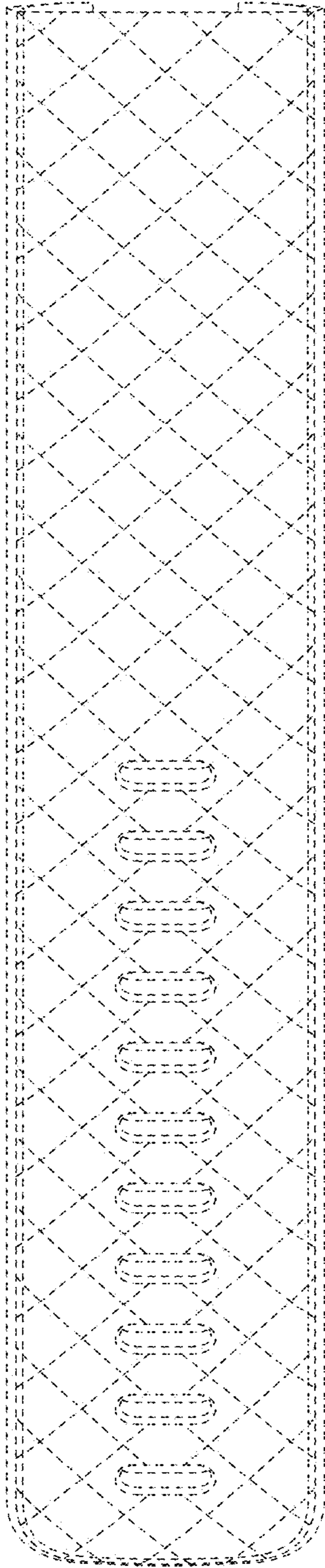


FIG. 25

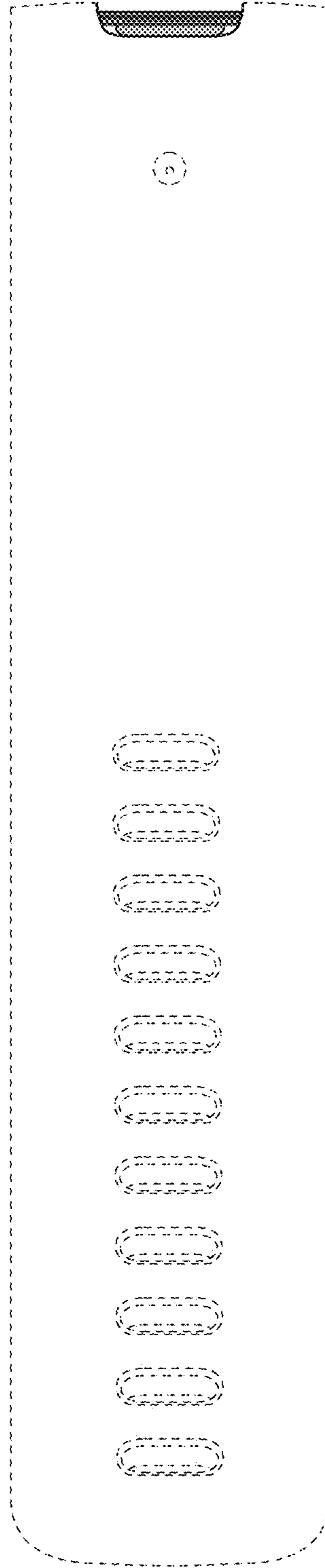


FIG. 26

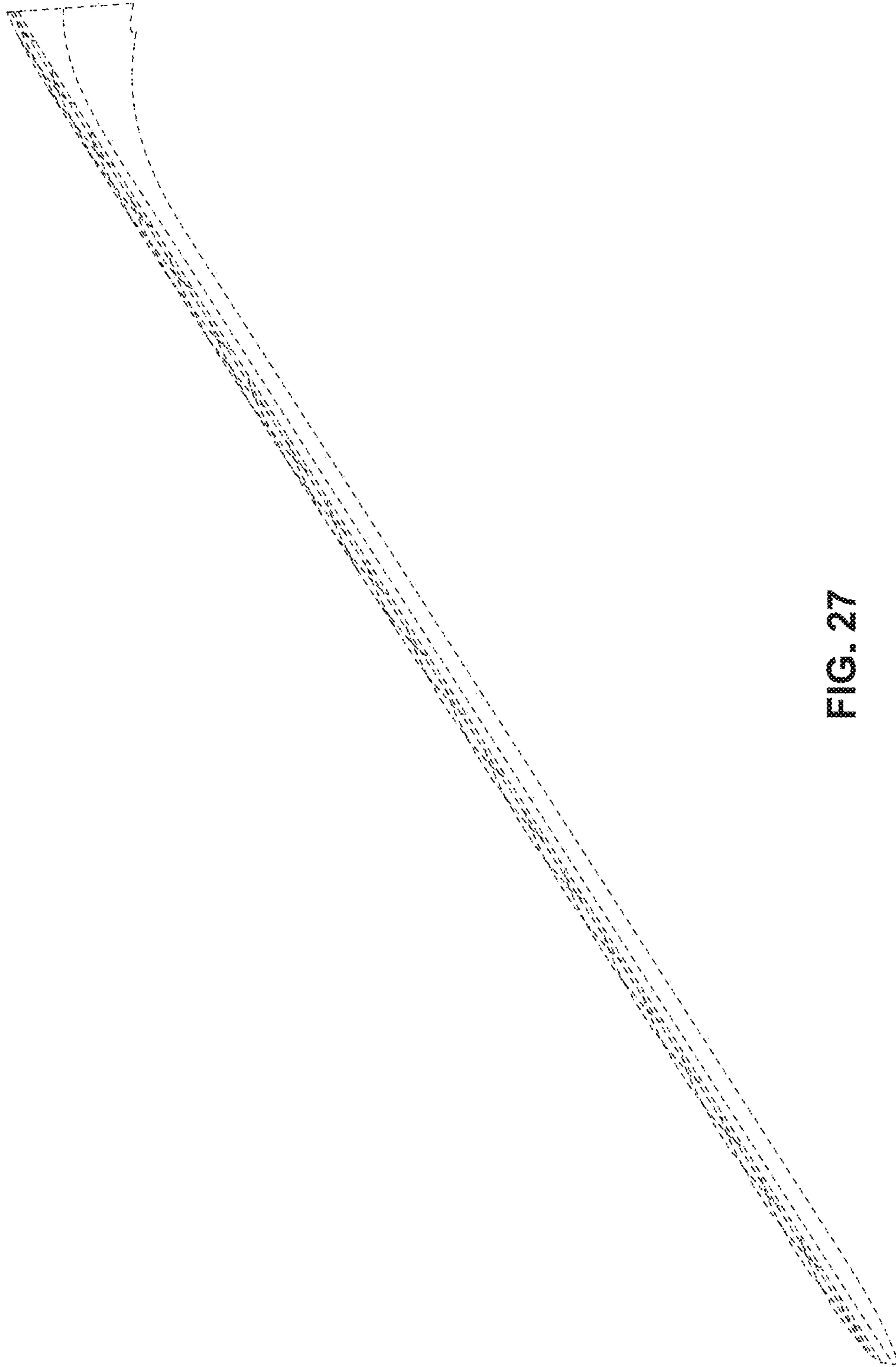


FIG. 27

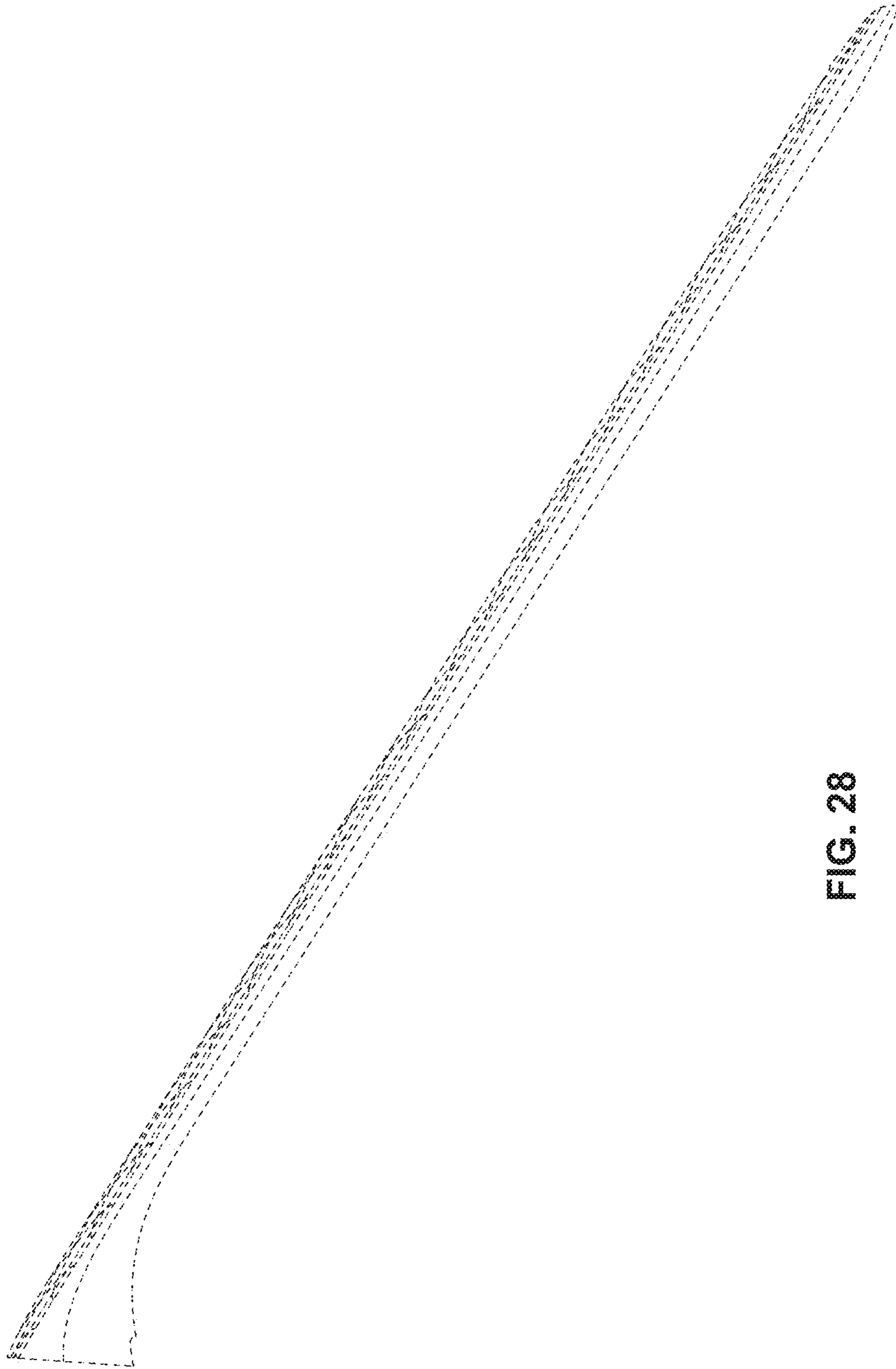


FIG. 28

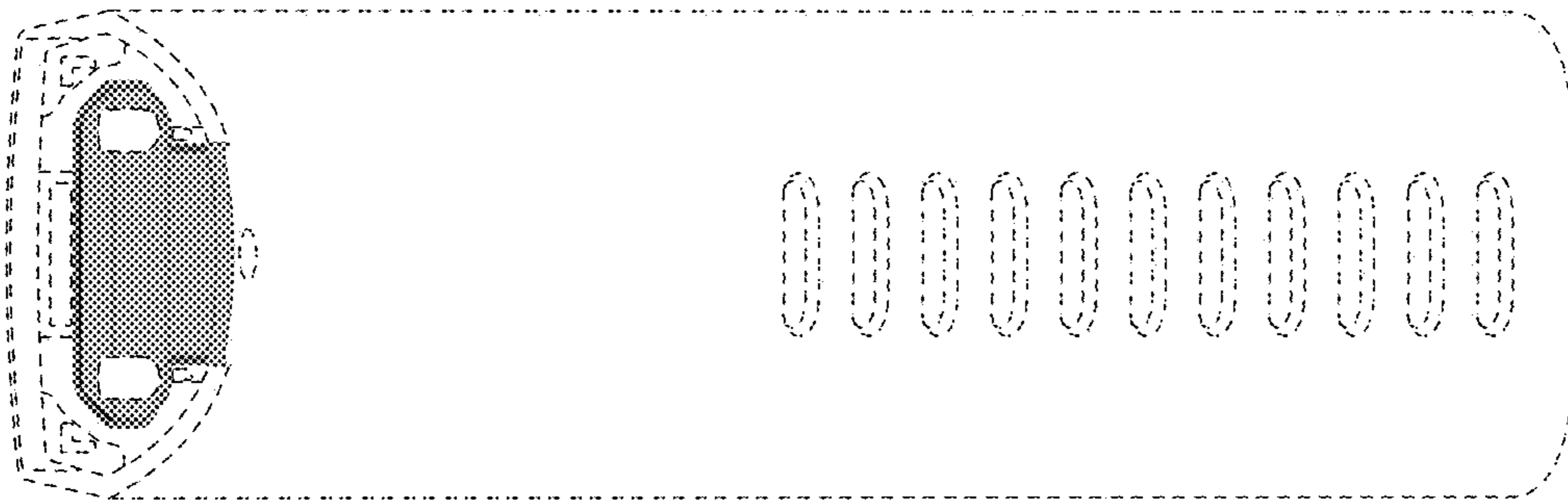


FIG. 30

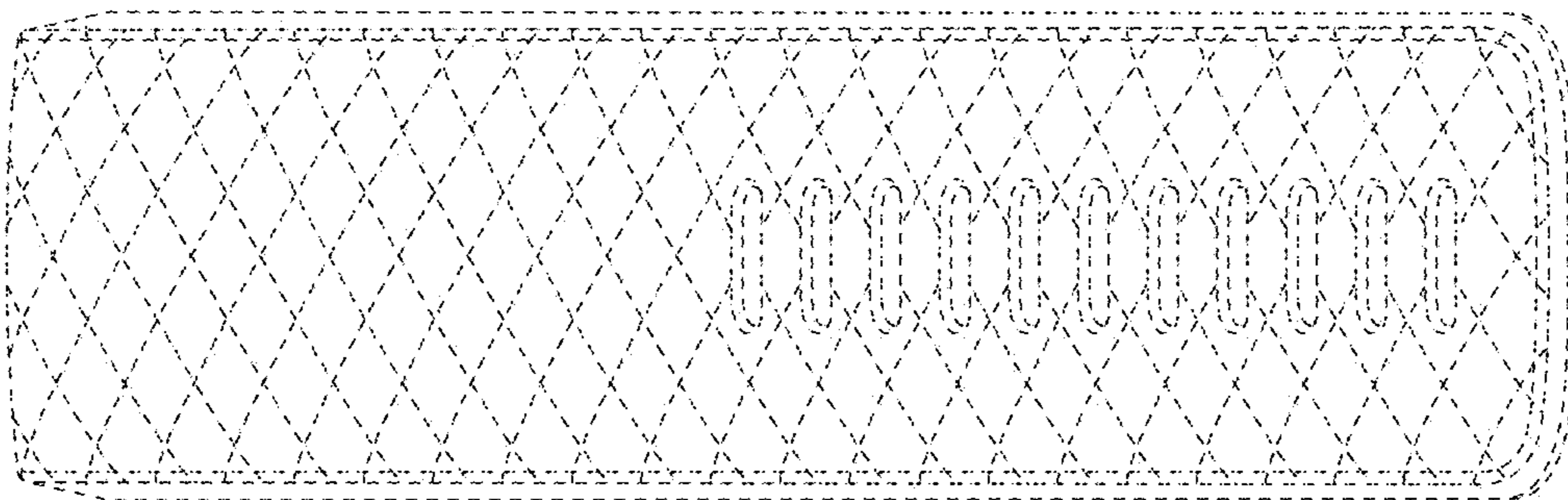


FIG. 29

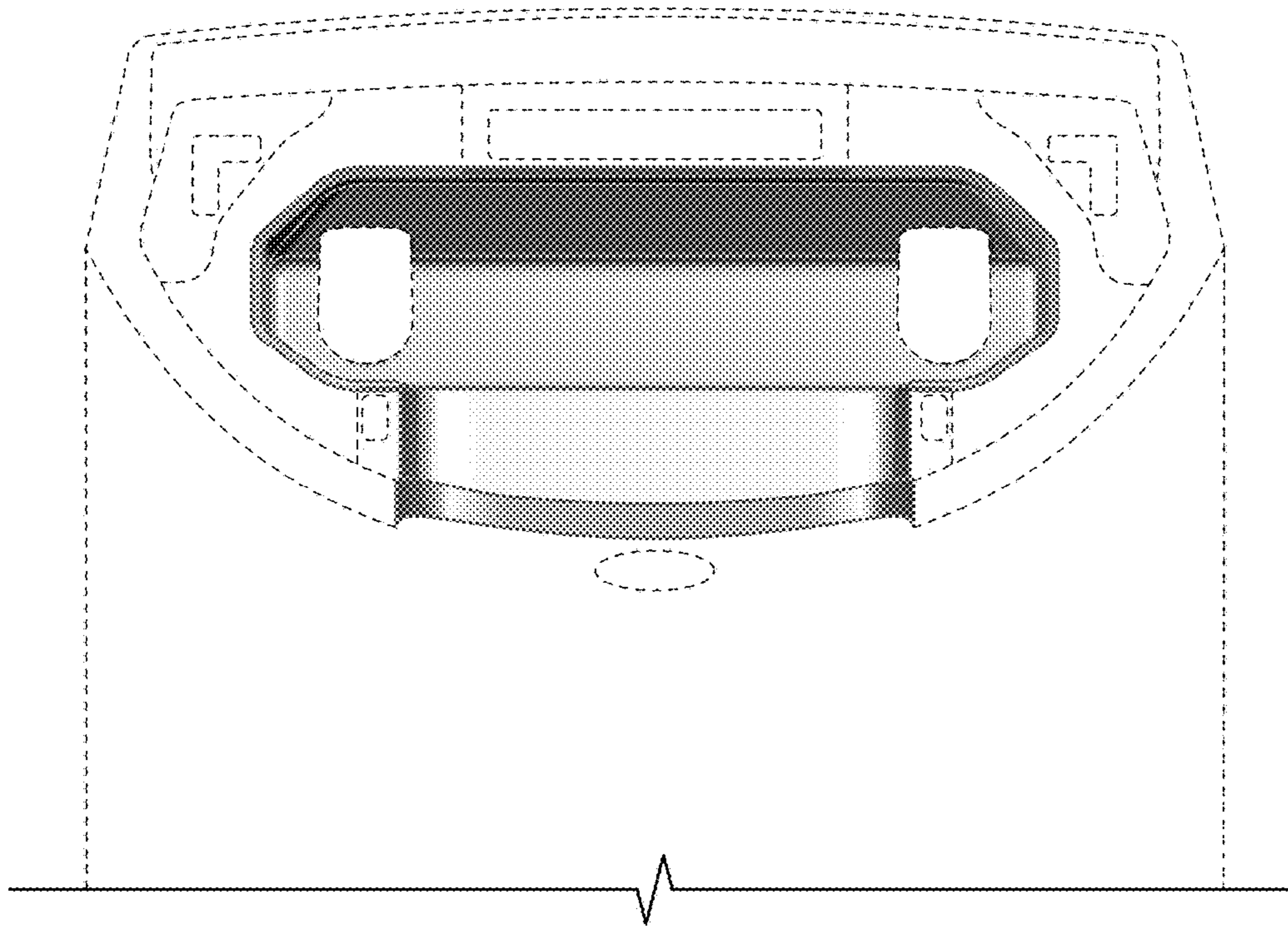


FIG. 31

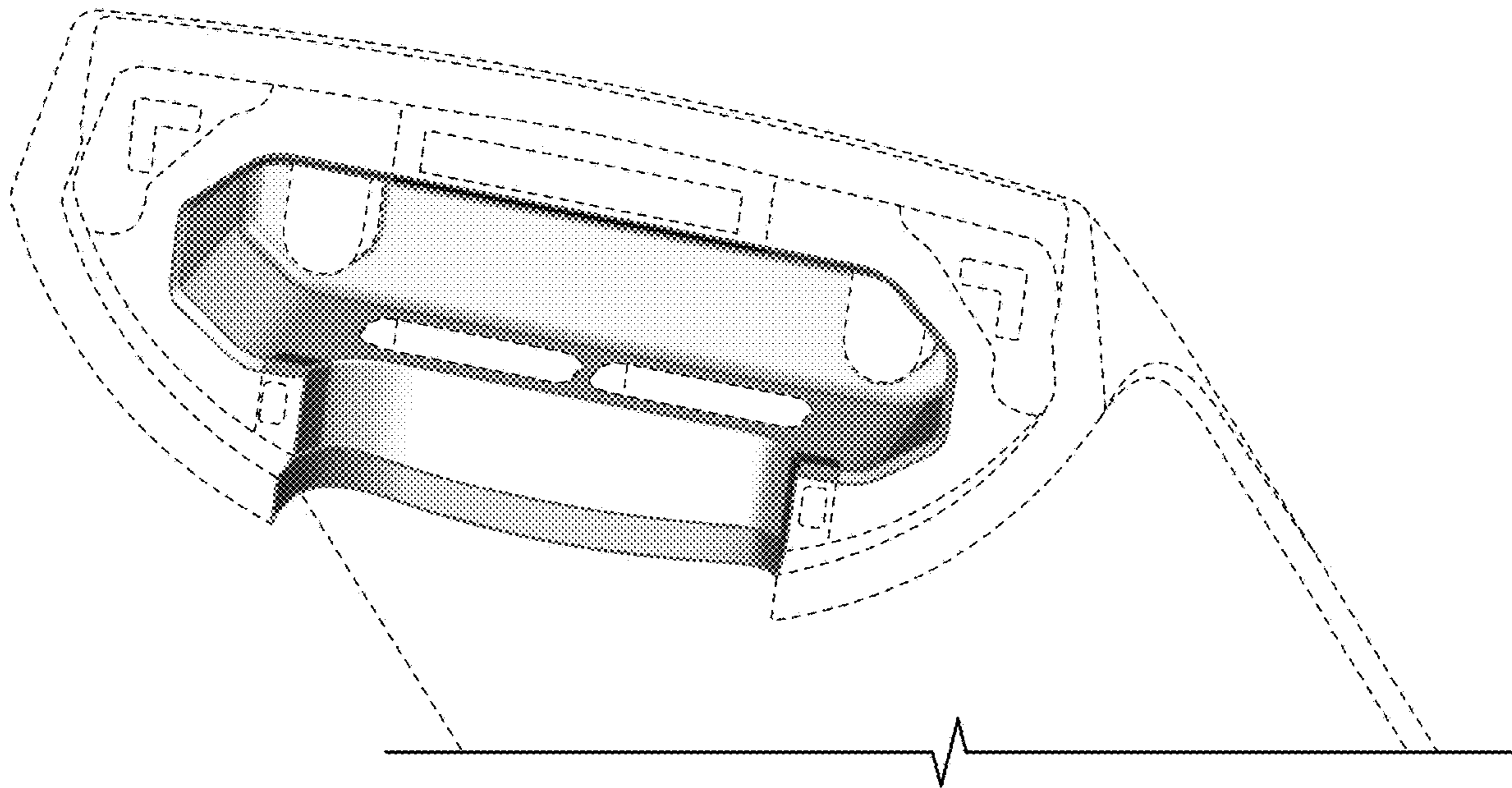


FIG. 32

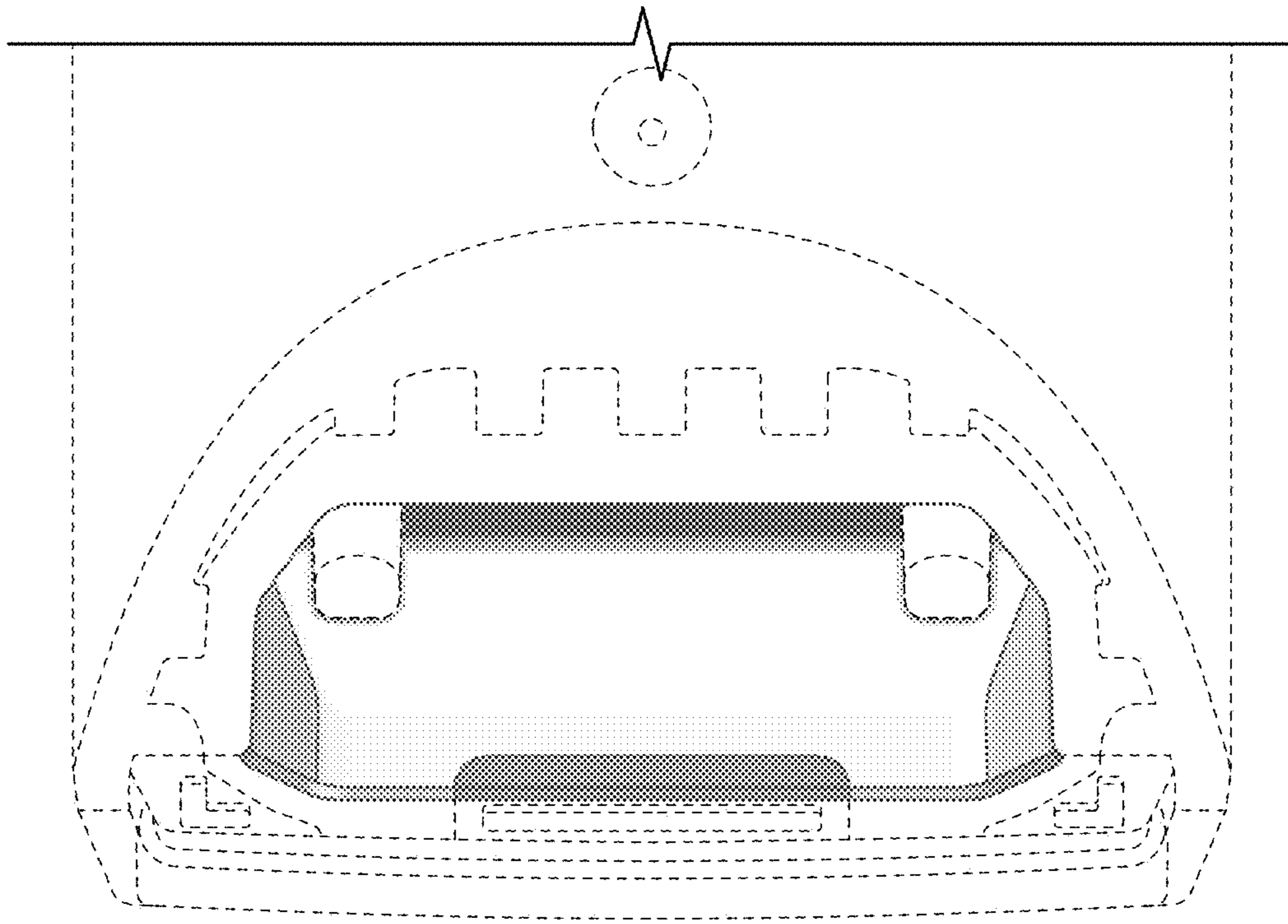


FIG. 33

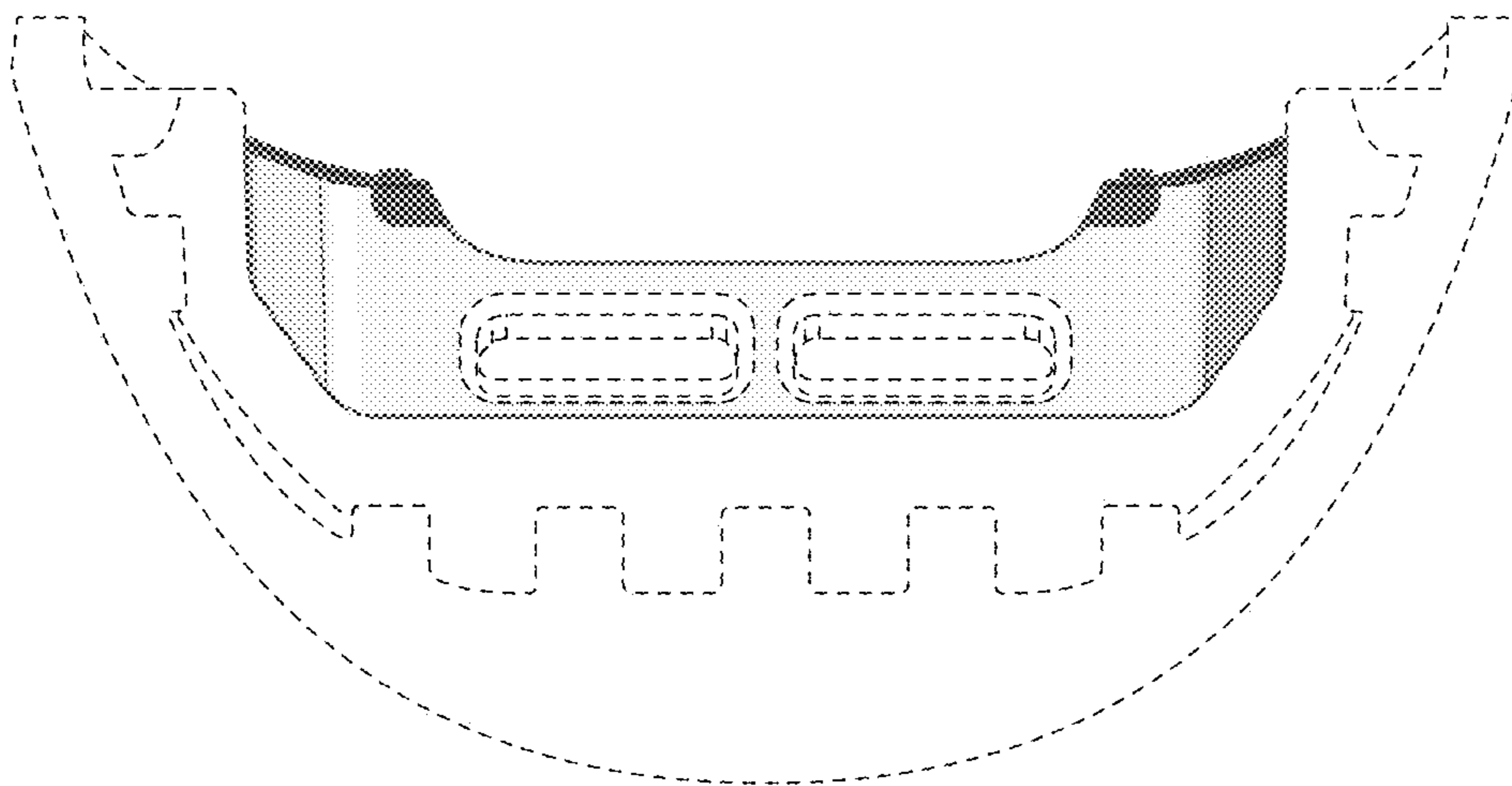


FIG. 34

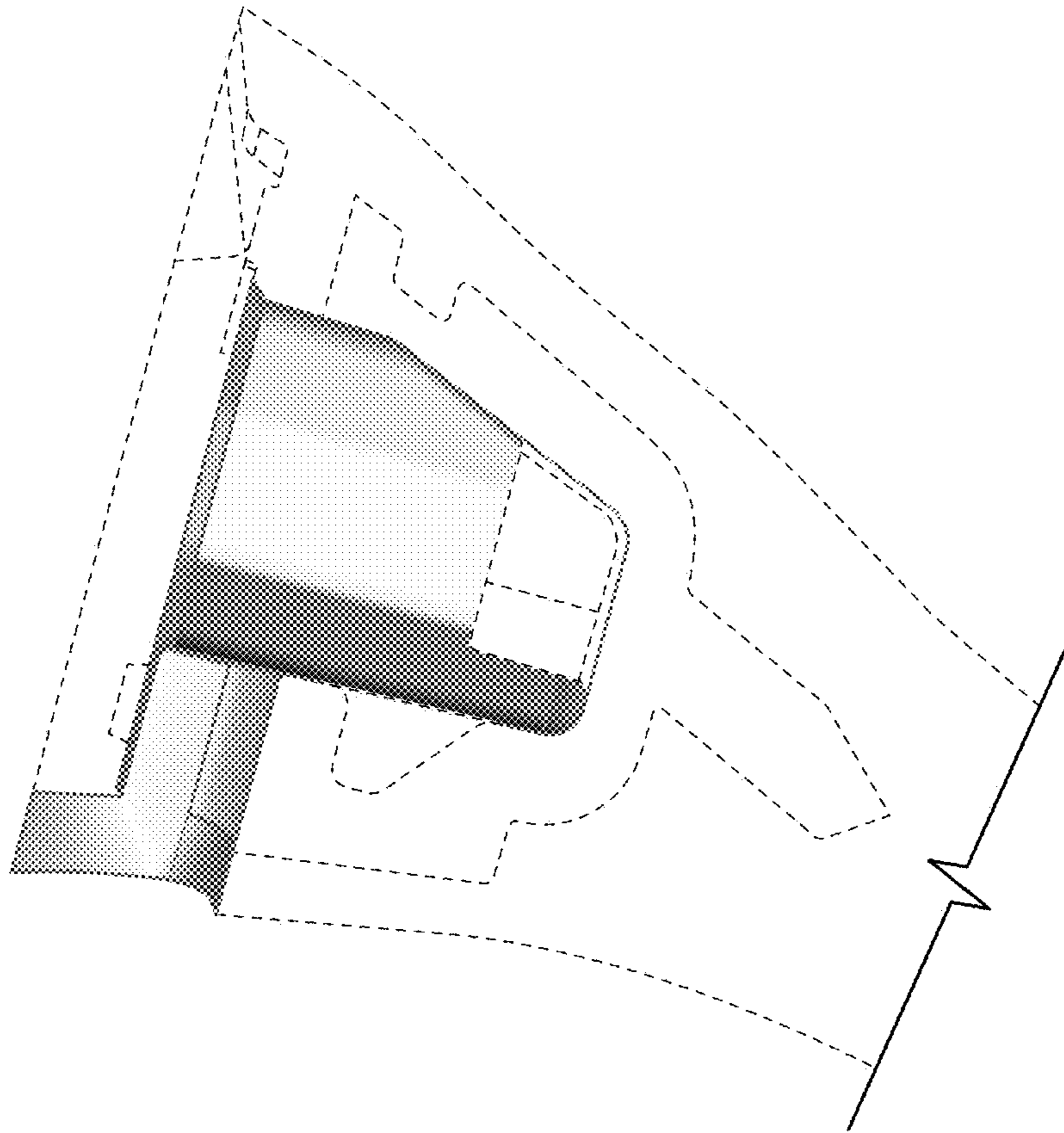


FIG. 35

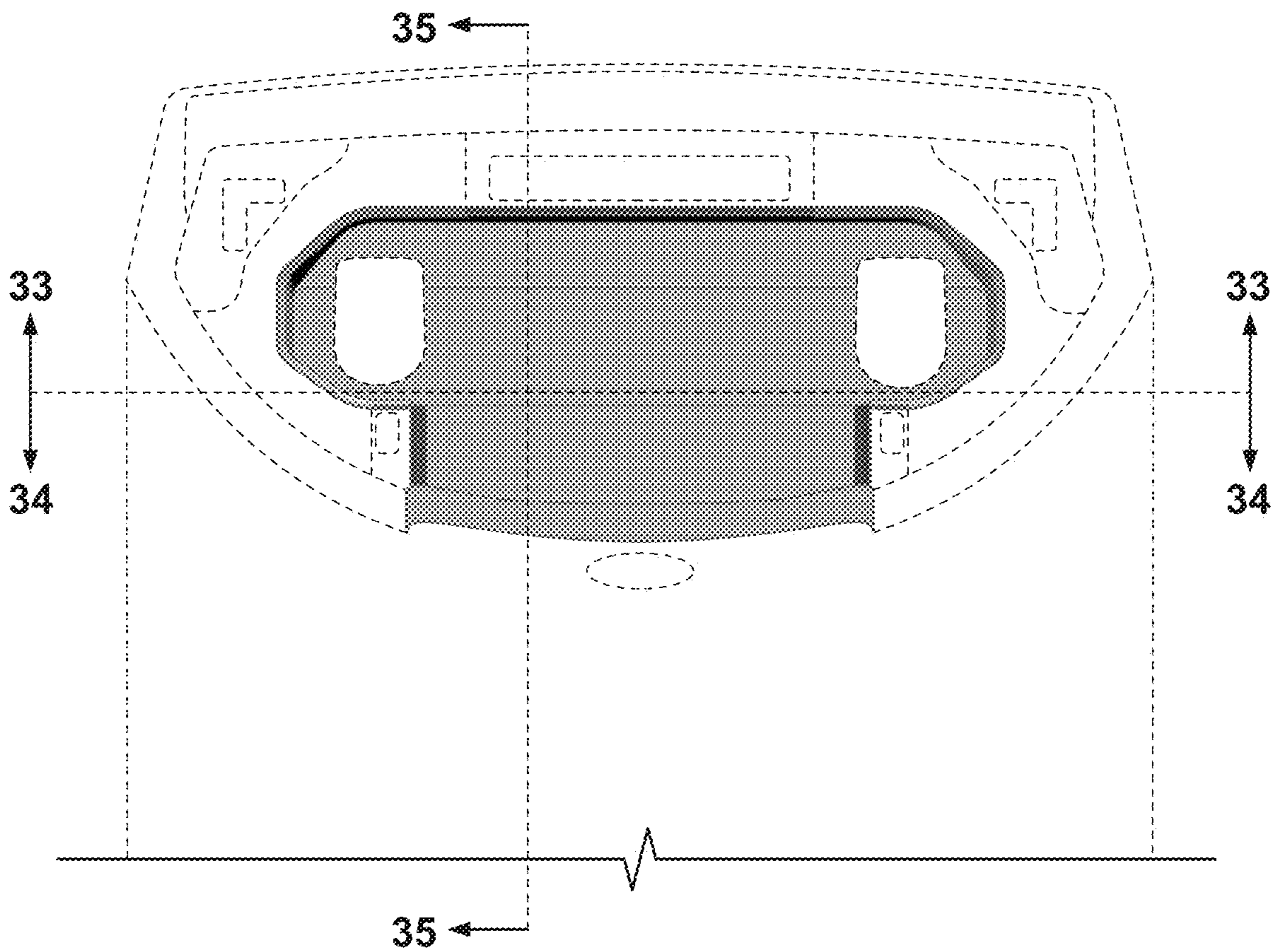


FIG. 36