



US00D919618S

(12) **United States Design Patent** (10) **Patent No.:** **US D919,618 S**  
**Ranade** (45) **Date of Patent:** **\*\* \*May 18, 2021**

(54) **WEARABLE DEVICE**

(71) Applicant: **Intel Corporation**, Santa Clara, CA (US)

(72) Inventor: **Amruta Ranade**, Bangalore (IN)

(73) Assignee: **Intel Corporation**, Santa Clara, CA (US)

(\*) Notice: This patent is subject to a terminal disclaimer.

(\*\*) Term: **15 Years**

(21) Appl. No.: **29/690,764**

(22) Filed: **May 10, 2019**

**Related U.S. Application Data**

(62) Division of application No. 29/597,555, filed on Mar. 17, 2017, now Pat. No. Des. 853,380.

(51) **LOC (13) Cl.** ..... **14-02**

(52) **U.S. Cl.**  
USPC ..... **D14/344**

(58) **Field of Classification Search**  
USPC ..... D14/344, 138 R, 144, 341, 358, 432;  
D10/30-39, 70, 98; D11/3, 93-94;  
(Continued)

(56) **References Cited**

**U.S. PATENT DOCUMENTS**

3,261,042 A 7/1966 Baker  
D234,943 S 4/1975 Le Marquand et al.  
(Continued)

**OTHER PUBLICATIONS**

“U.S. Appl. No. 29/597,555, Ex Parte Quayle Action dated Oct. 19, 2018”, 7 pgs.

(Continued)

*Primary Examiner* — George D. Kirschbaum

*Assistant Examiner* — Joseph J Kukella

(74) *Attorney, Agent, or Firm* — Schwegman Lundberg & Woessner, P.A.

(57) **CLAIM**

The ornamental design for a wearable device, as shown and described.

**DESCRIPTION**

FIG. 1 is a back-left-perspective view of the wearable device;

FIG. 2 is a back view thereof;

FIG. 3 is a front view thereof;

FIG. 4 is a left-side view thereof;

FIG. 5 is a right-side view thereof;

FIG. 6 is a top view thereof;

FIG. 7 is a bottom view thereof;

FIG. 8 is a back-left perspective view thereof, in an alternative operating condition with a computing component of the wearable device shown removed from a frame of the wearable device;

FIG. 9 is a left-side view thereof;

FIG. 10 is a top-right-perspective view of the computing component of the wearable device shown isolated from wearable portion of the wearable device;

FIG. 11 is a top view thereof;

FIG. 12 is a bottom view thereof;

FIG. 13 is a right-side view thereof;

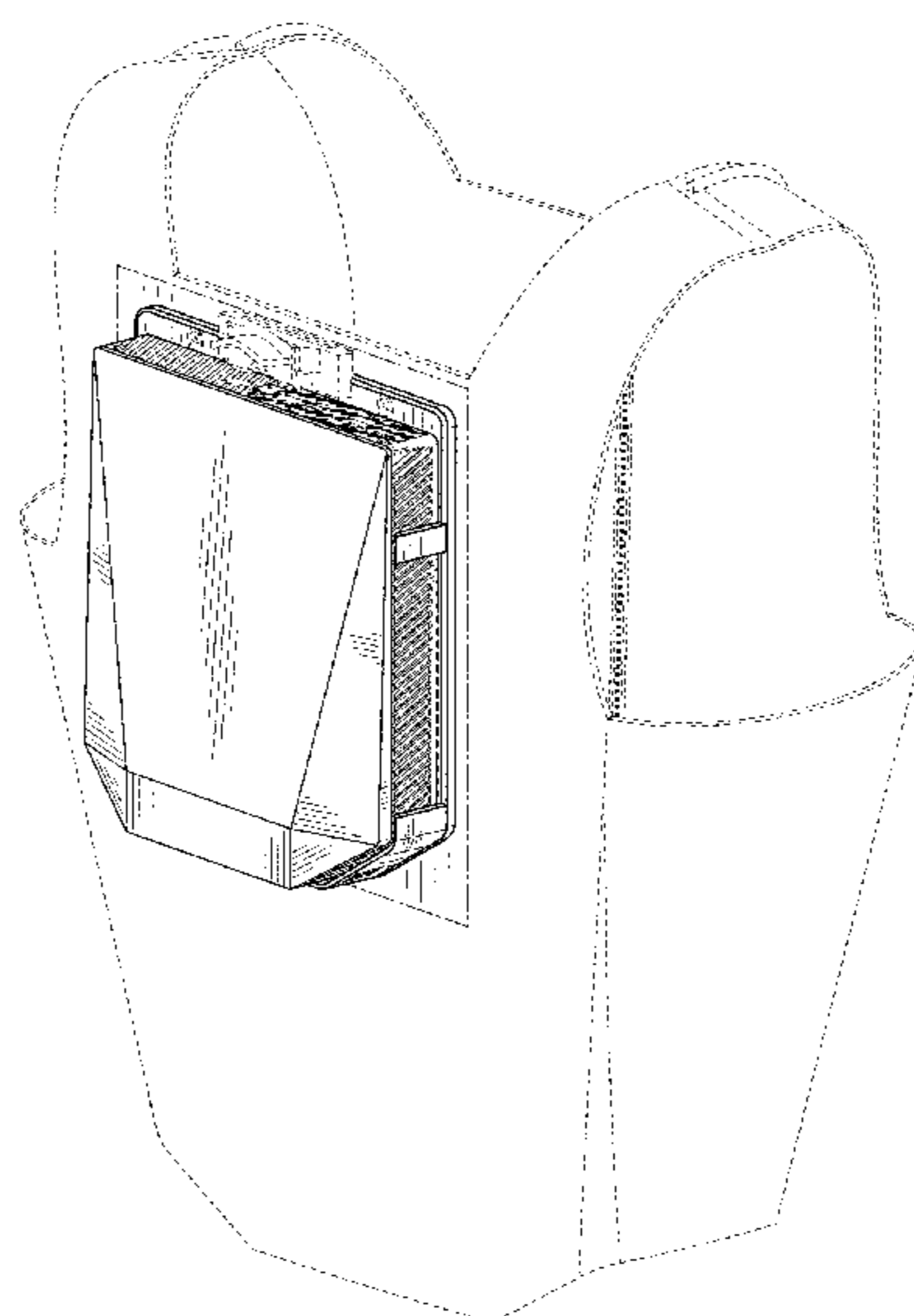
FIG. 14 is a left-side view thereof;

FIG. 15 is a back view thereof; and,

FIG. 16 is a front view thereof.

The dot-dash broken lines define the bounds of the claimed design. The dot-dot broken lines depict portions of the wearable device. The broken lines form no part of the claimed design. It is to be understood that, in the case of dot-dash boundary lines, the claimed design extends to but does not include the defined boundary.

**1 Claim, 13 Drawing Sheets**



(58) **Field of Classification Search**

USPC ..... D24/167, 169, 186–187; 361/679.03;  
 379/433.1  
 CPC ..... A41D 1/002; A41D 1/04; A41D 27/205;  
 G06F 1/04; G06F 1/08; G06F 1/10; G06F  
 1/14; G06F 1/1626; G06F 1/1628; G06F  
 1/163; G06F 1/1635; G06F 1/3203; G06Q  
 20/10; G06Q 20/12; G06Q 20/108; G06Q  
 20/145; H04B 1/3833; H04B 1/385;  
 H04B 1/3888; H04M 1/02; H04M 1/03;  
 H04M 1/04; H04M 1/05; H04M 1/667;  
 H04M 1/6058; Y02B 60/1217; A45F  
 3/00; A45F 3/04; A45F 3/06; A45F  
 2200/0533; A45F 3/14; F41H 1/02

See application file for complete search history.

(56) **References Cited**

U.S. PATENT DOCUMENTS

200,063	A	2/1978	Jackson
D323,909	S	2/1992	Dewall
D356,883	S	4/1995	Ganahl
D372,024	S	7/1996	Carlson, Jr. et al.
D375,581	S	11/1996	Dyer
D387,189	S	12/1997	Woollett et al.
D402,788	S	12/1998	Blankenship, Jr.
D417,443	S	12/1999	Geiszler
D426,051	S	6/2000	Bugel et al.
D480,390	S	10/2003	Miao et al.
D548,401	S	8/2007	Tinao
D602,205	S	10/2009	Thomas et al.
7,886,368	B2	2/2011	Hood
D660,584	S	5/2012	Cross
8,353,065	B1	1/2013	Crye
D682,266	S	5/2013	Wu et al.
D692,082	S	10/2013	Lee
8,814,020	B2	8/2014	Yaeger et al.
D717,284	S	11/2014	Kurosawa et al.
D722,430	S	2/2015	Sagan et al.
D733,969	S	7/2015	Kun

D737,816	S	9/2015	Loor Canizares et al.
D757,697	S	5/2016	Dubrulle et al.
D764,147	S	8/2016	Zhou et al.
D774,023	S	12/2016	Fariello
D780,177	S	2/2017	Heck et al.
D784,005	S	4/2017	Zheng et al.
D794,803	S	8/2017	Thom
D803,824	S	11/2017	Zhou
D810,733	S	2/2018	Kwak et al.
D853,380	S *	7/2019	Ranade ..... D14/344
D861,693	S *	10/2019	Ranade ..... D14/432

OTHER PUBLICATIONS

“U.S. Appl. No. 29/597,555, Notice of Allowance dated Feb. 13, 2019”, 5 pgs.  
 “U.S. Appl. No. 29/597,555, Response filed Jan. 14, 2019 to Ex Parte Quayle Action dated Oct. 19, 2018”, 6 pgs.  
 “U.S. Appl. No. 29/597,555, Response filed Jul. 10, 2018 to Restriction Requirement dated Mar. 22, 2018”, 5 pgs.  
 “U.S. Appl. No. 29/597,555, Restriction Requirement dated Mar. 22, 2018”, 8 pgs.  
 “Mobile Edge AWV17BP-2.0 Alienware Vindicator Backpack”, [Online]. Retrieved from the Internet: <<https://www.amazon.com/Mobile-Edge-AWV17BP-2-0-Alienware-Vindicator/dp/B01MS3H5P6>>, (Oct. 14, 2017), 3 pgs.  
 “MSI’s Backpack PC looks like a mini jetpack but it’s designed for VR gaming”, [Online]. Retrieved from the Internet: <<http://www.soyacinau.com/2016/05/30/msis-backpack-pc-looks-like-a-mini-jetpack-but-its-designed-for-vr-gaming>>, (May 30, 2016), 4 pgs.  
 “SecPro Basic Tactical Assault Vest—Level”, [Online]. Retrieved from the Internet: <[http://secprousa.com/tactical-vests?product\\_id=80](http://secprousa.com/tactical-vests?product_id=80)>, (Mar. 3, 2018), 3 pgs.  
 “The HP Z VR: The VR backpack for business”, [Online]. Retrieved from the Internet: <<https://www.techspot.com/news/70386-hp-z-vr-vr-backpack-business.html>>, (Aug. 1, 2017), 6 pgs.  
 “VR backpack PC designed with Intel”, [Online]. Retrieved from the Internet: <<http://www.globalsources.com/gsol/1/VR-backpack/a/9000000140194.htm>>, (Aug. 9, 2016), 3 pgs.

\* cited by examiner

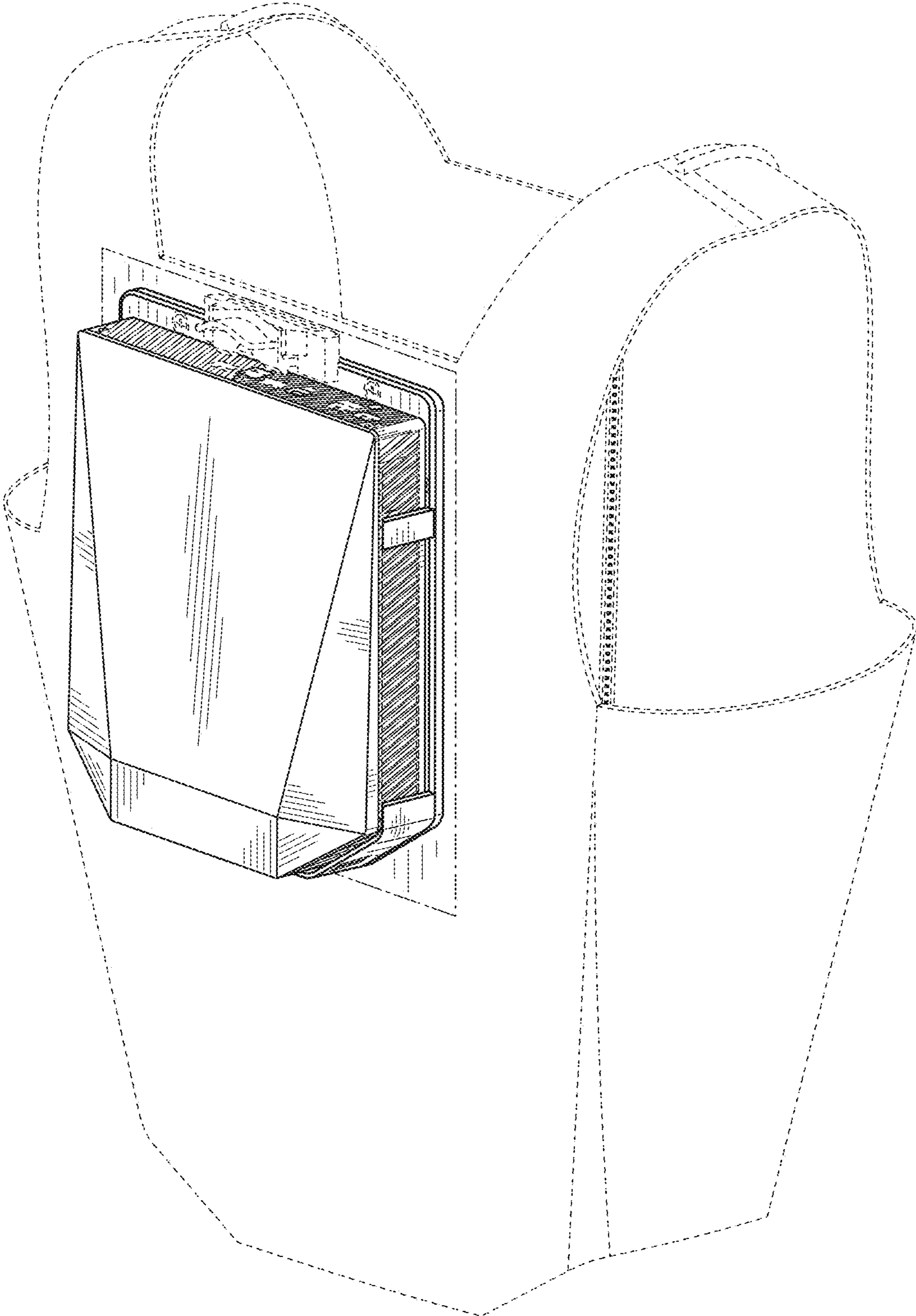


FIG. 1

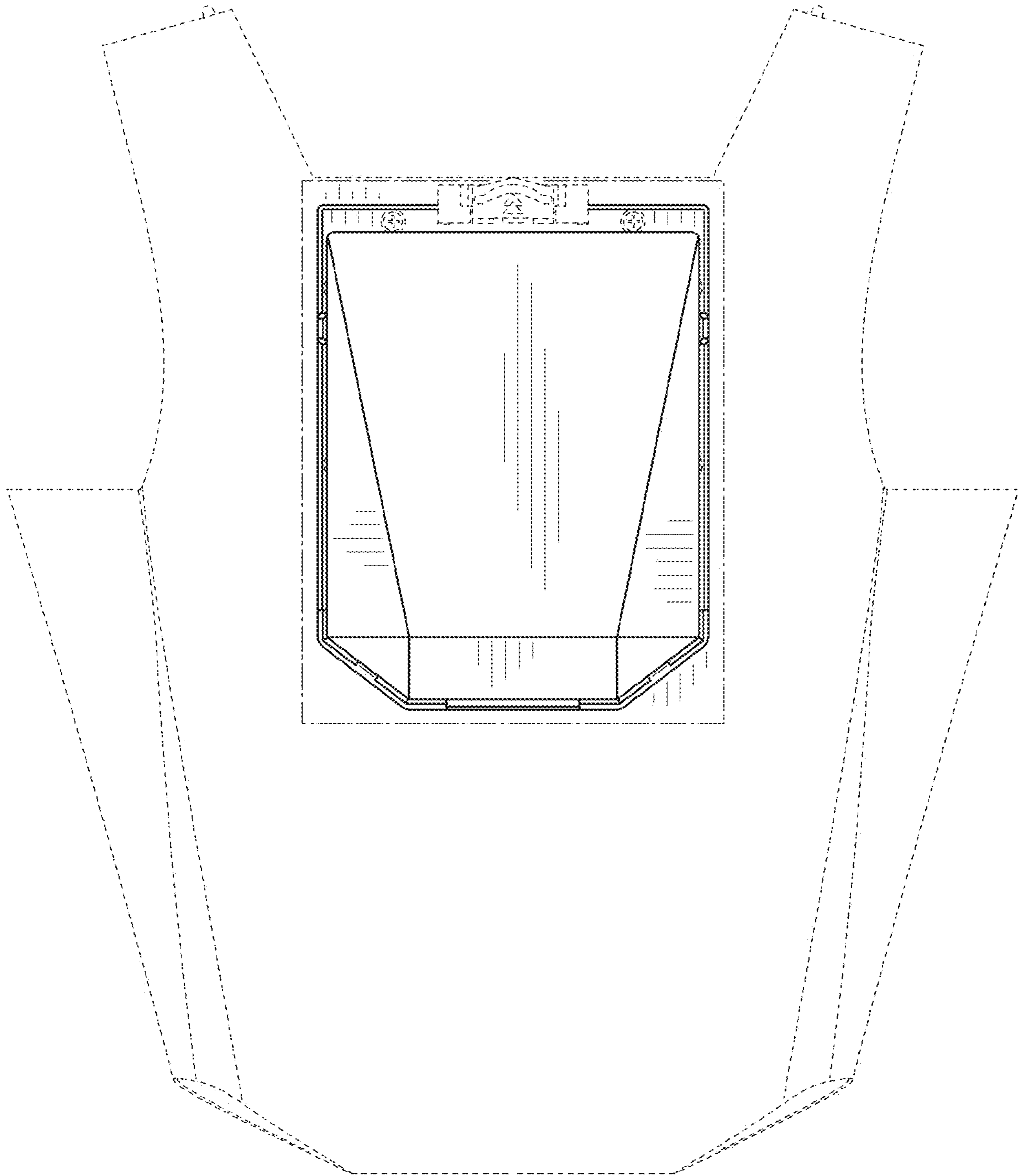


FIG. 2

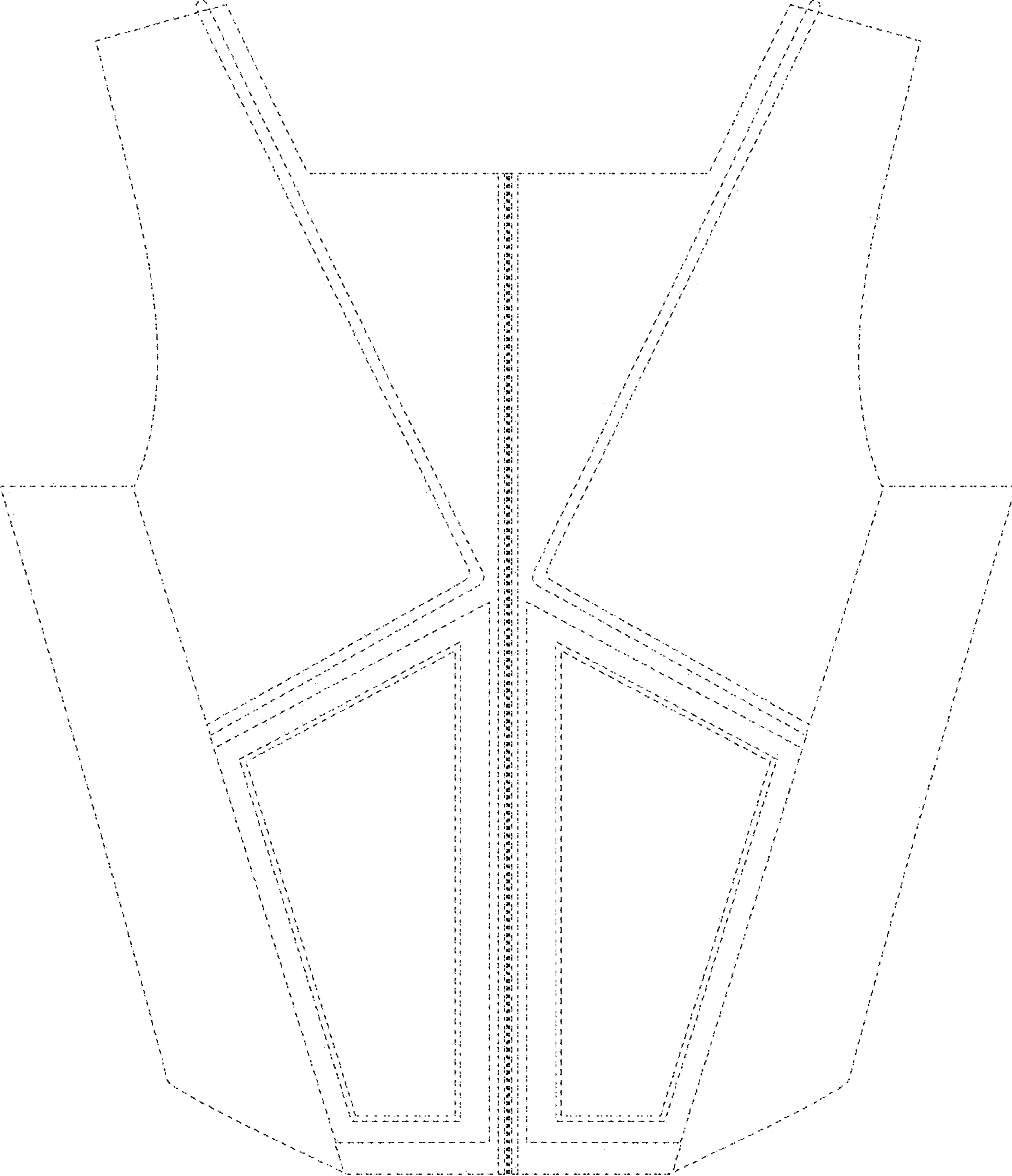


FIG. 3

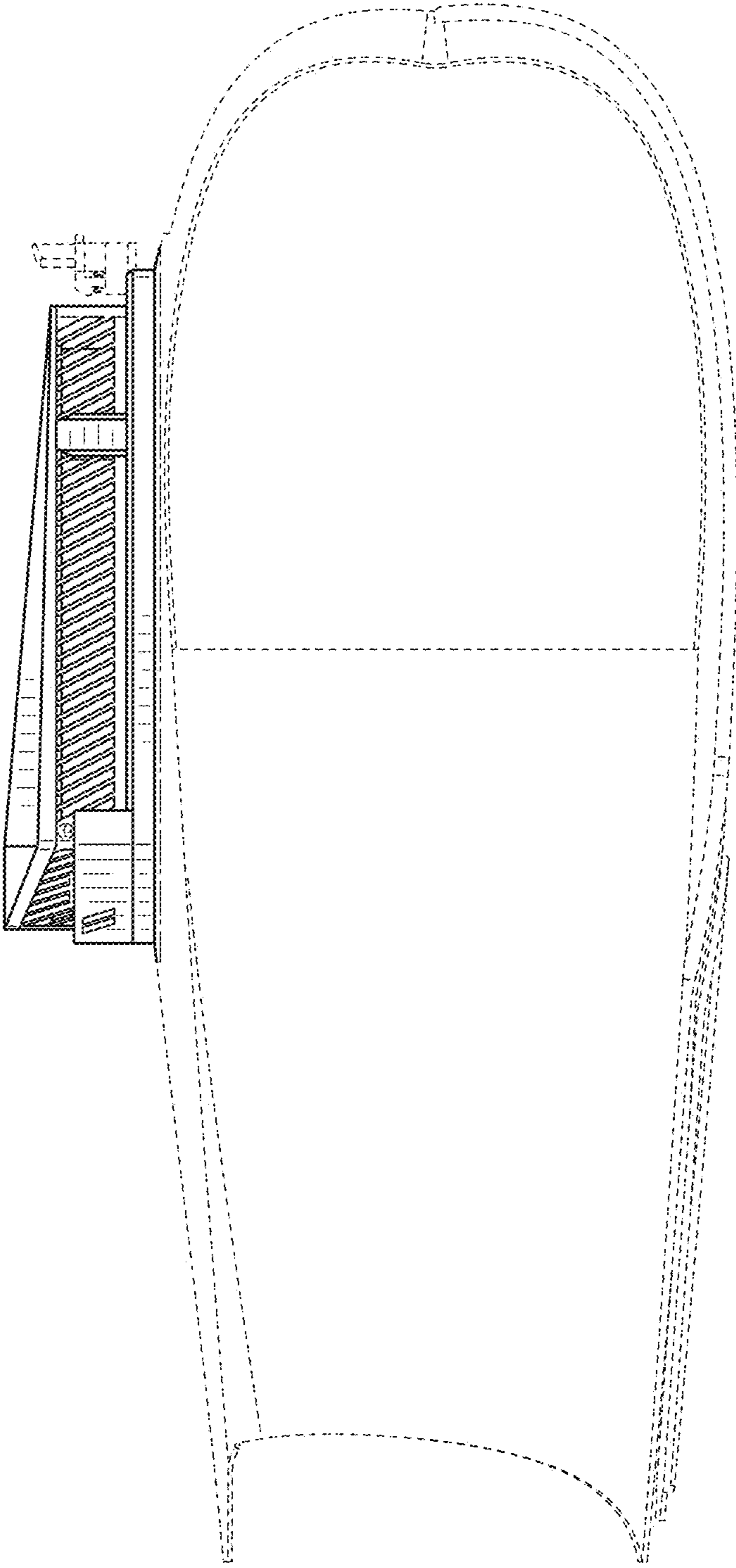


FIG. 4

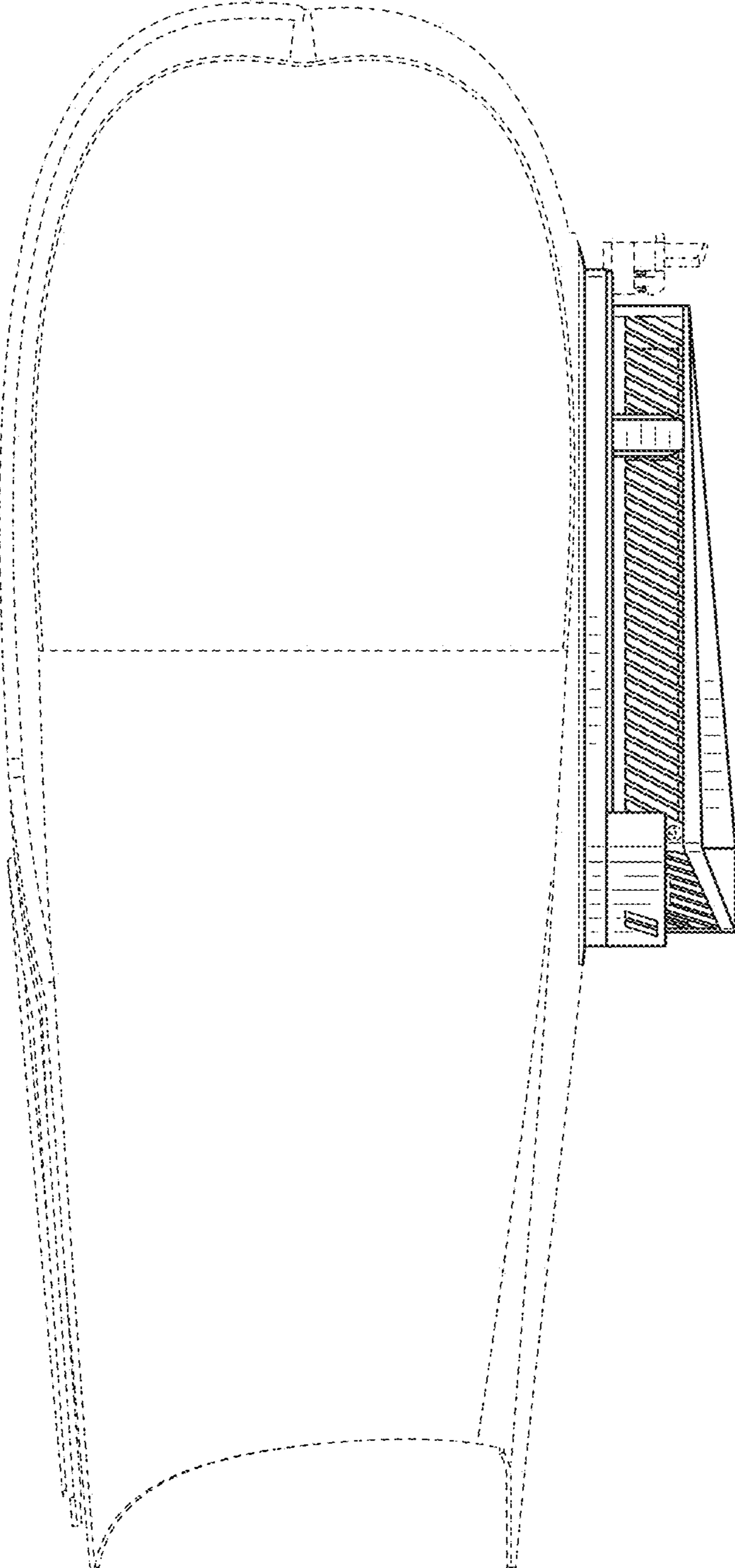


FIG. 5

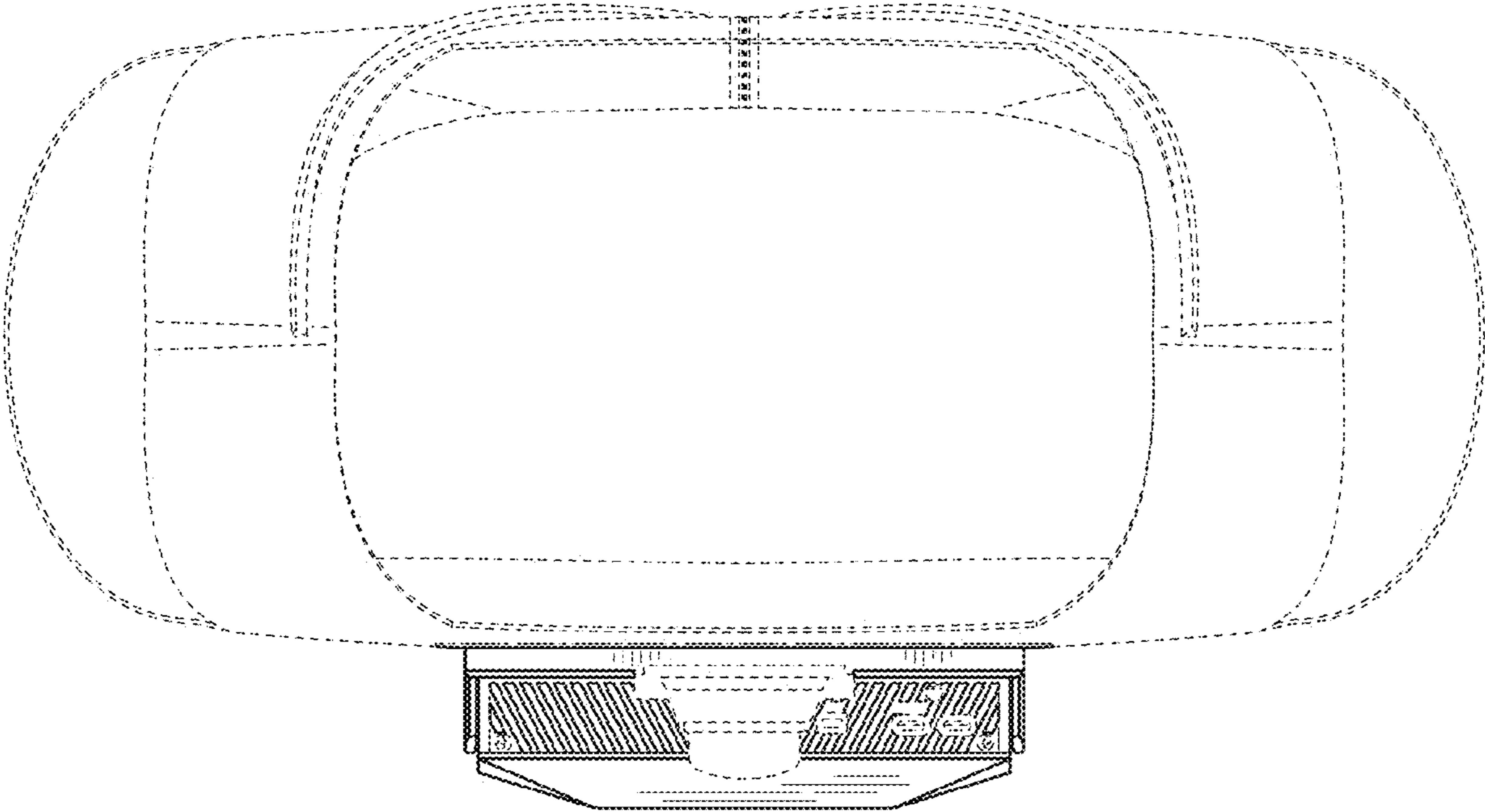


FIG. 6

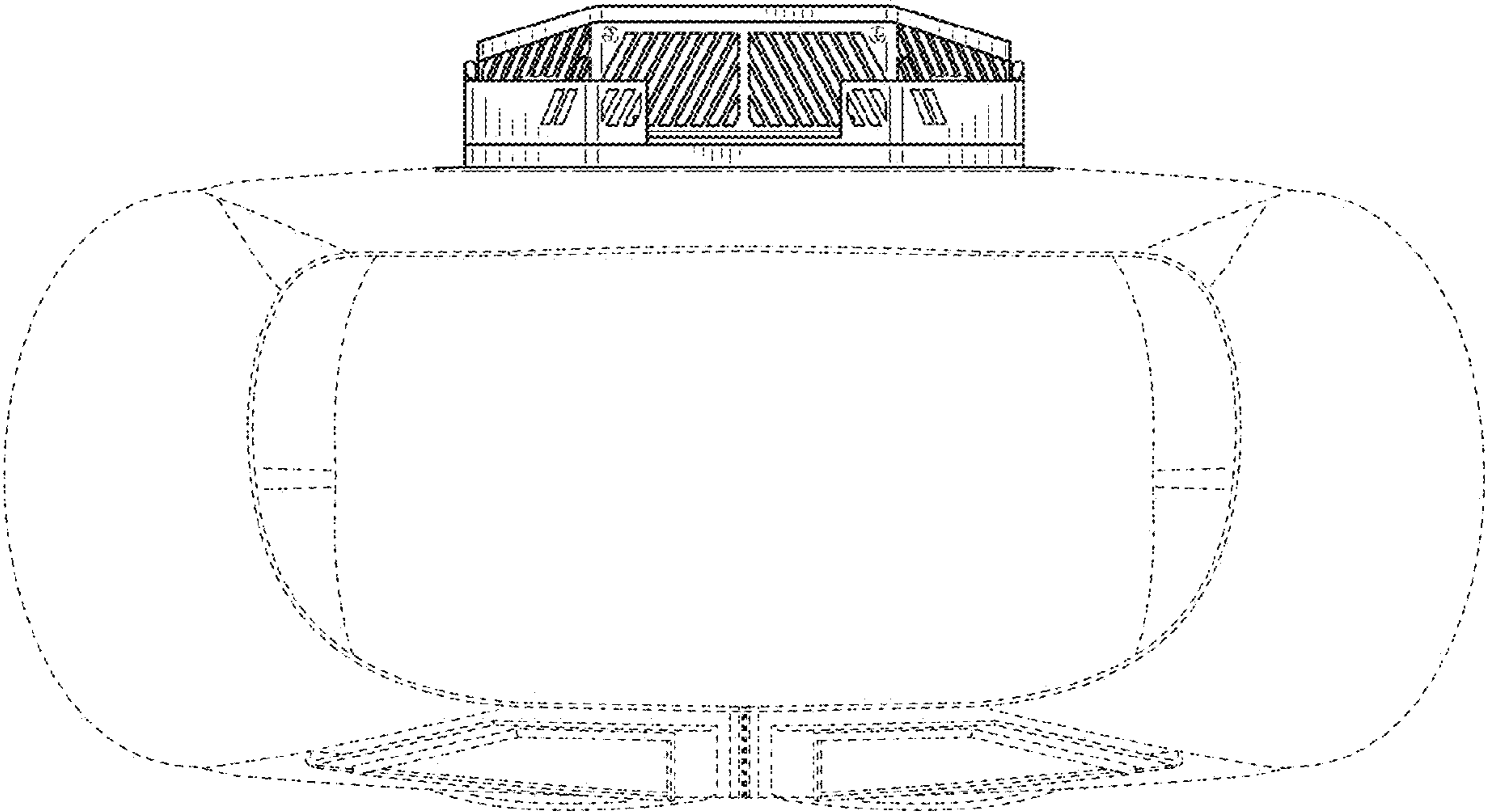


FIG. 7



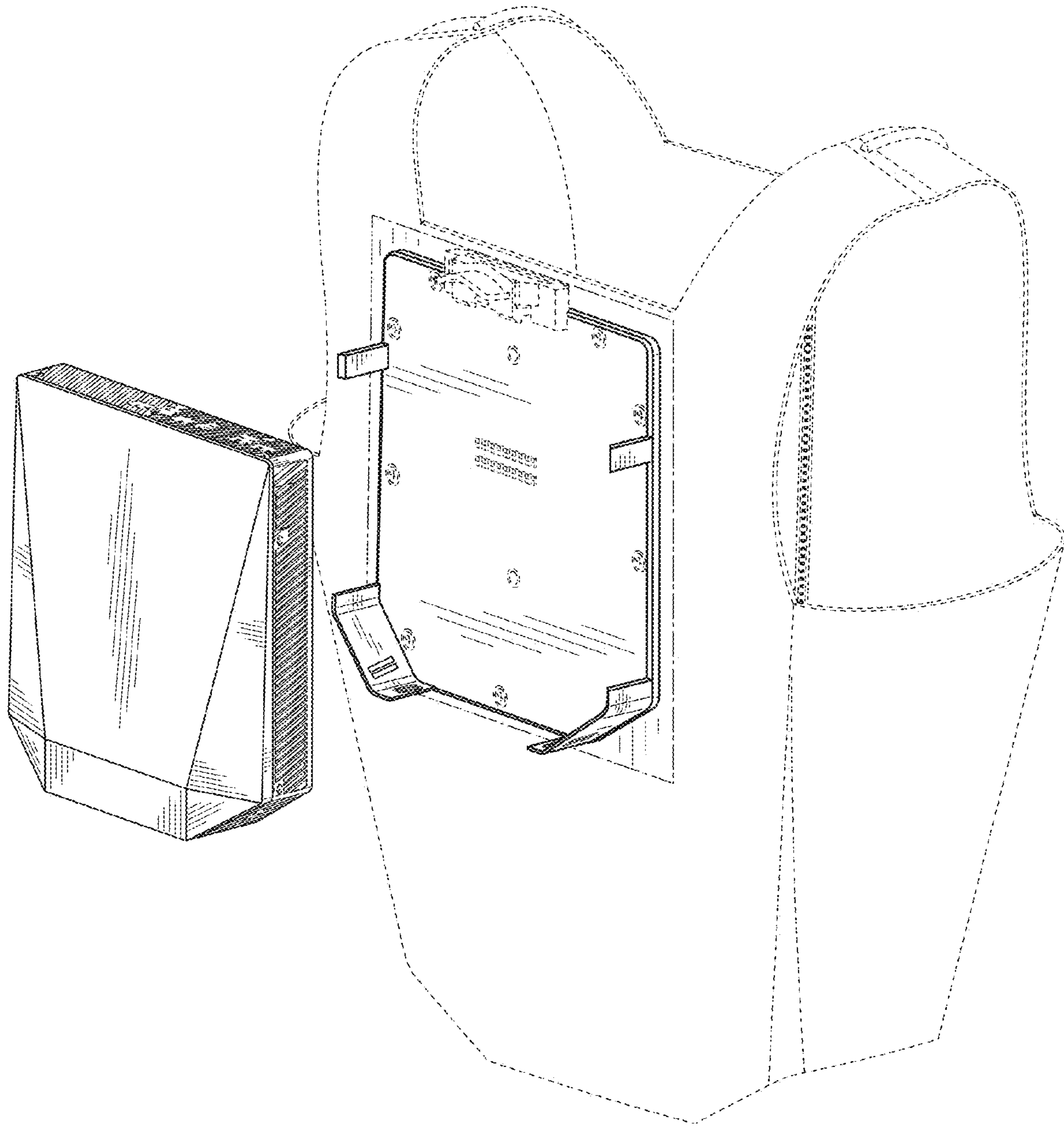


FIG. 8

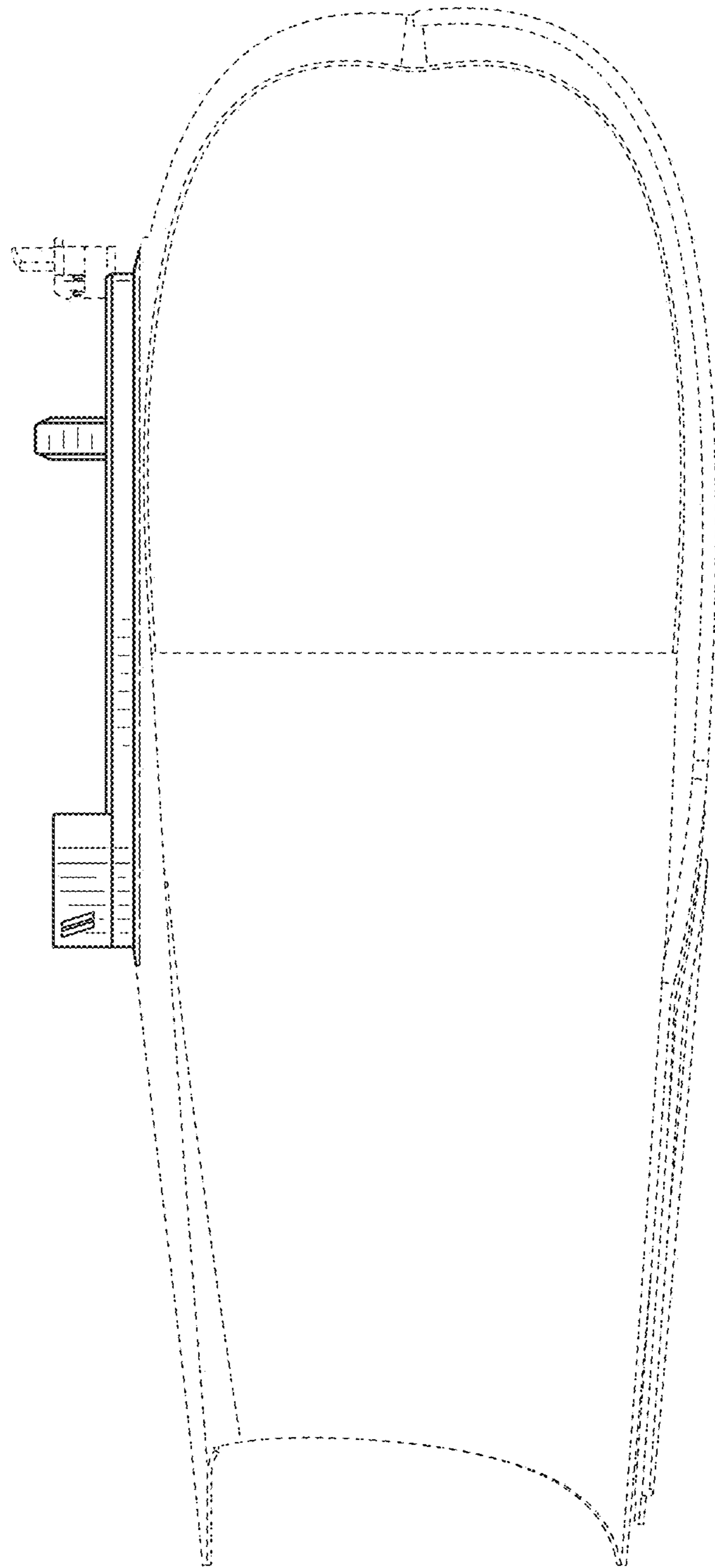
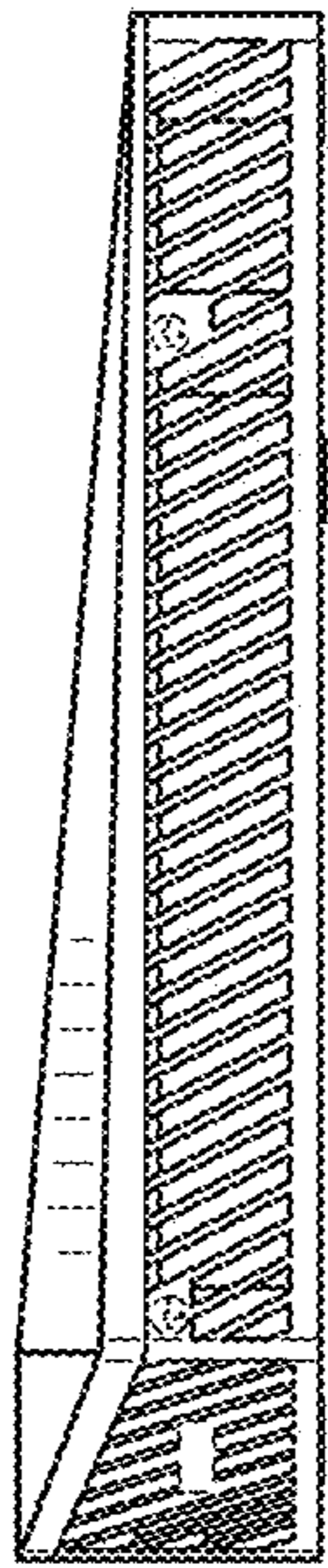


FIG. 9

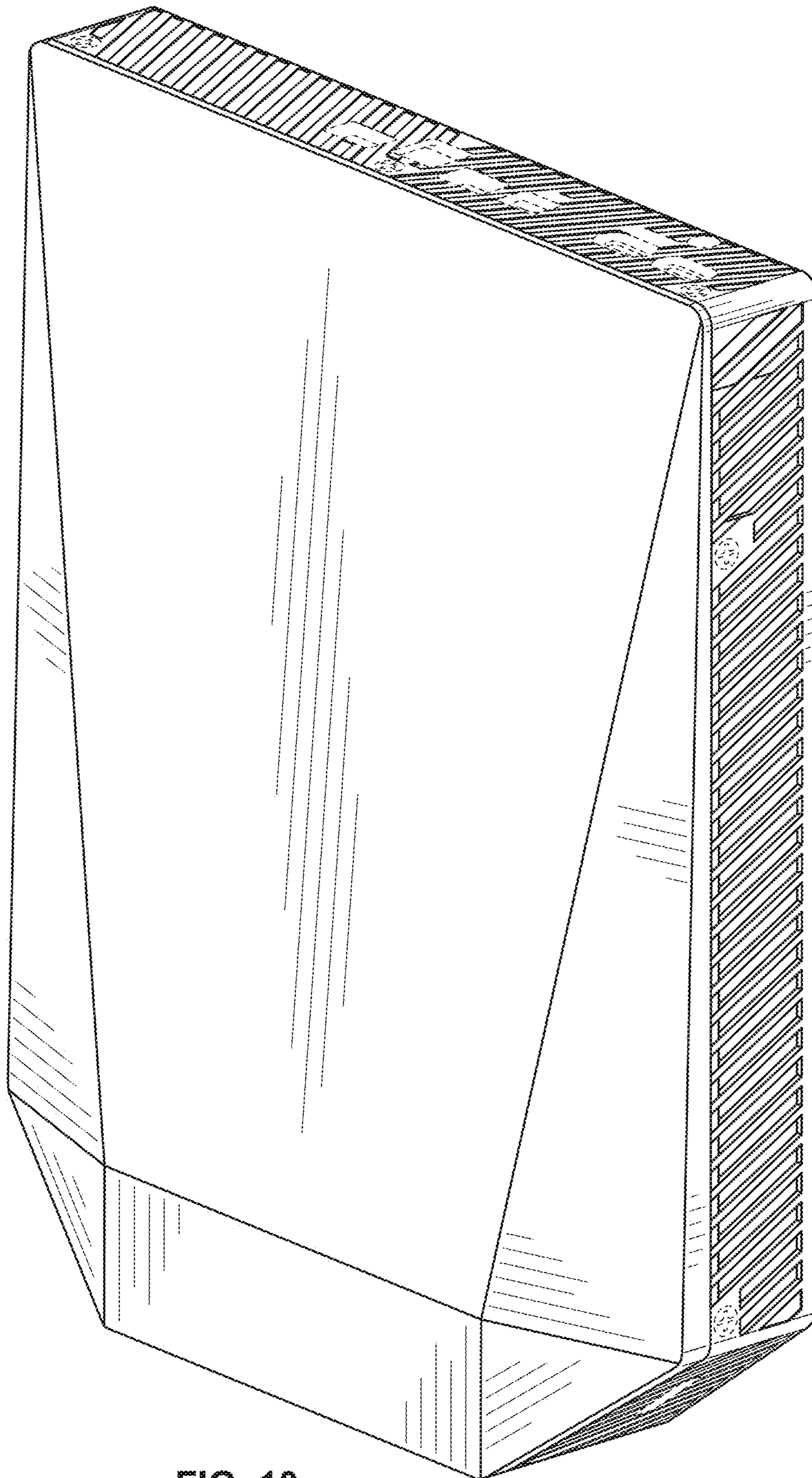


FIG. 10

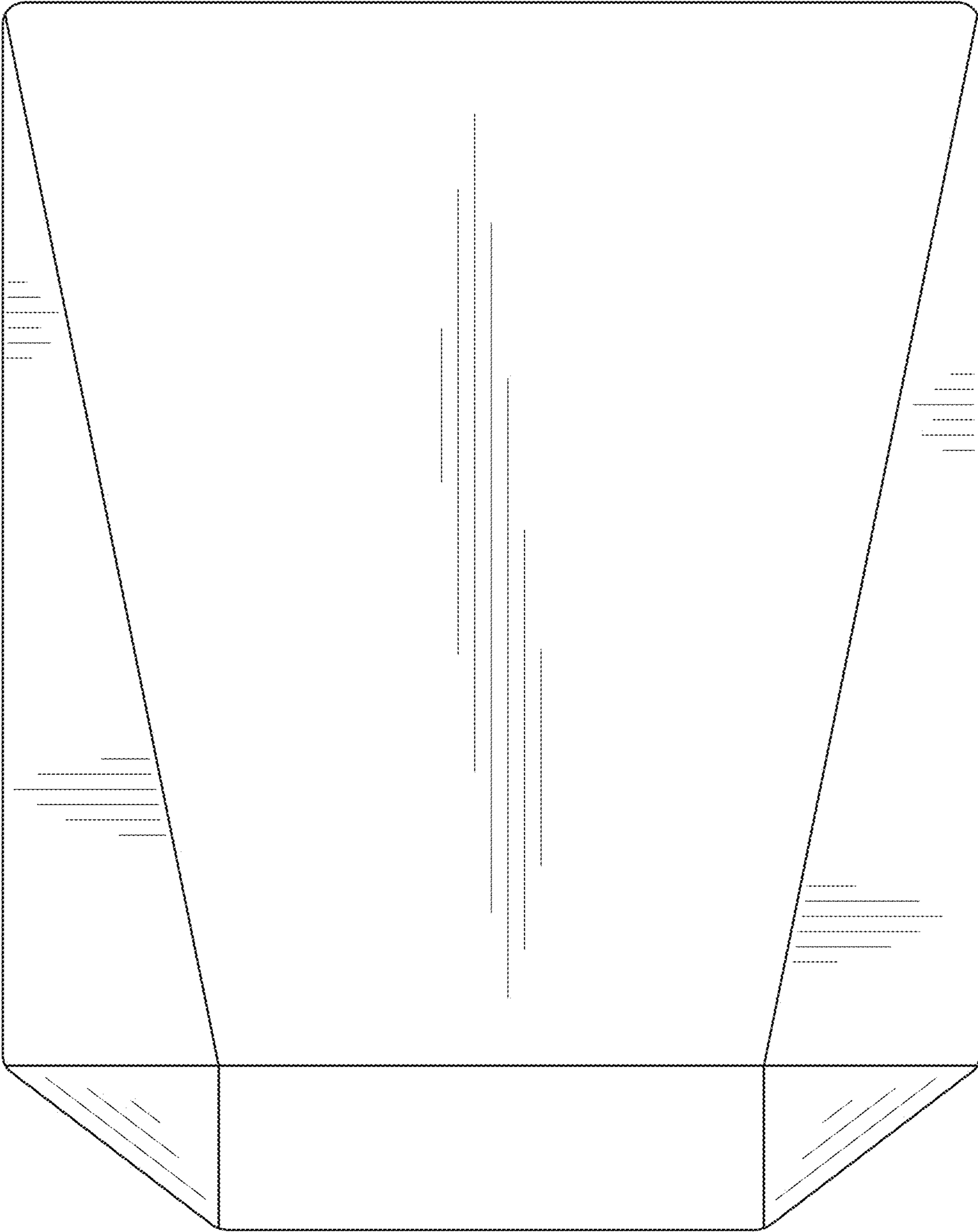


FIG. 11

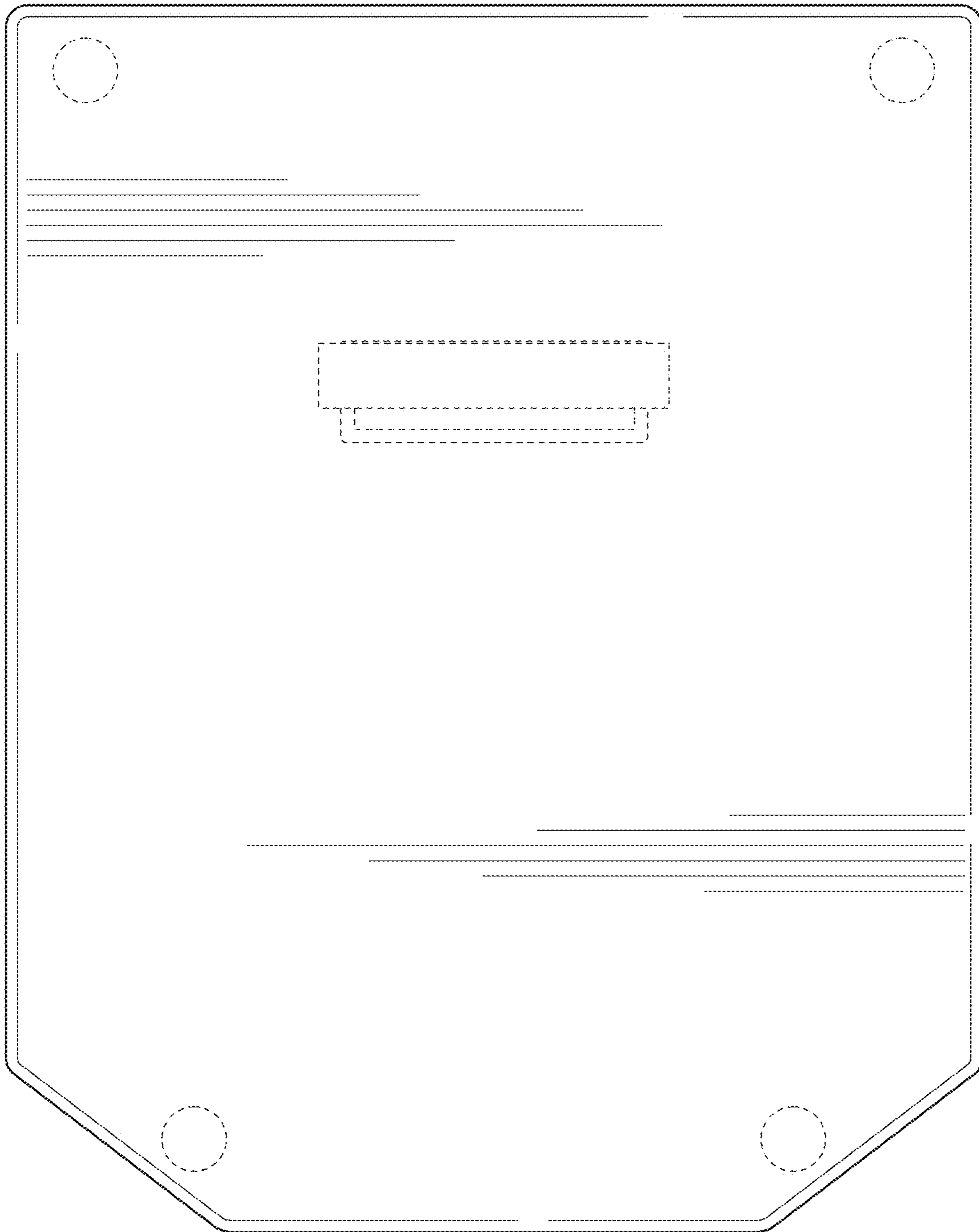


FIG. 12

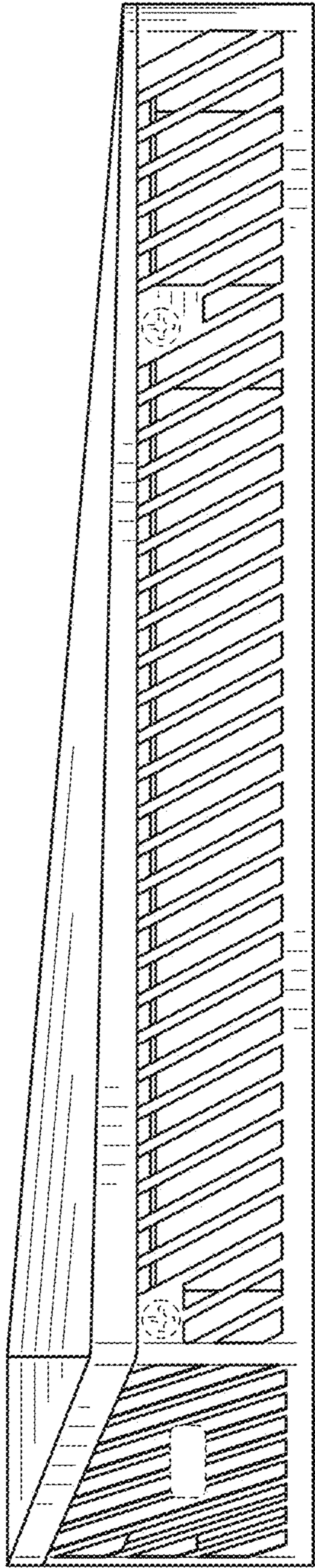


FIG. 13

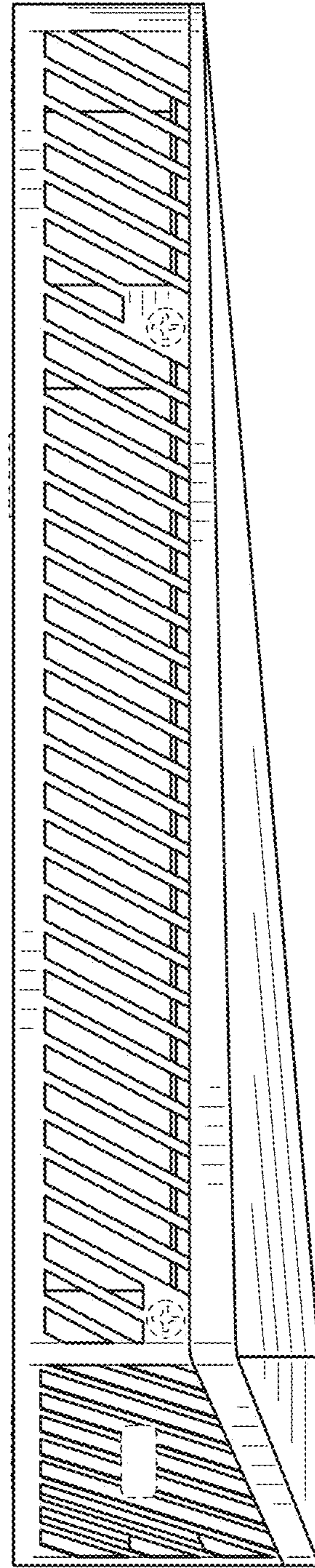


FIG. 14

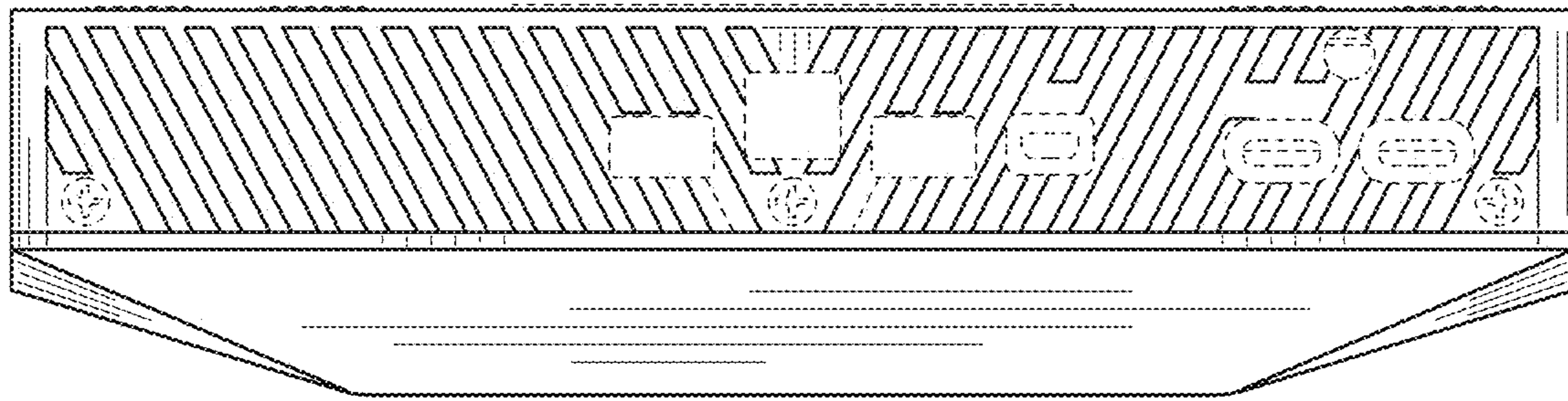


FIG. 15

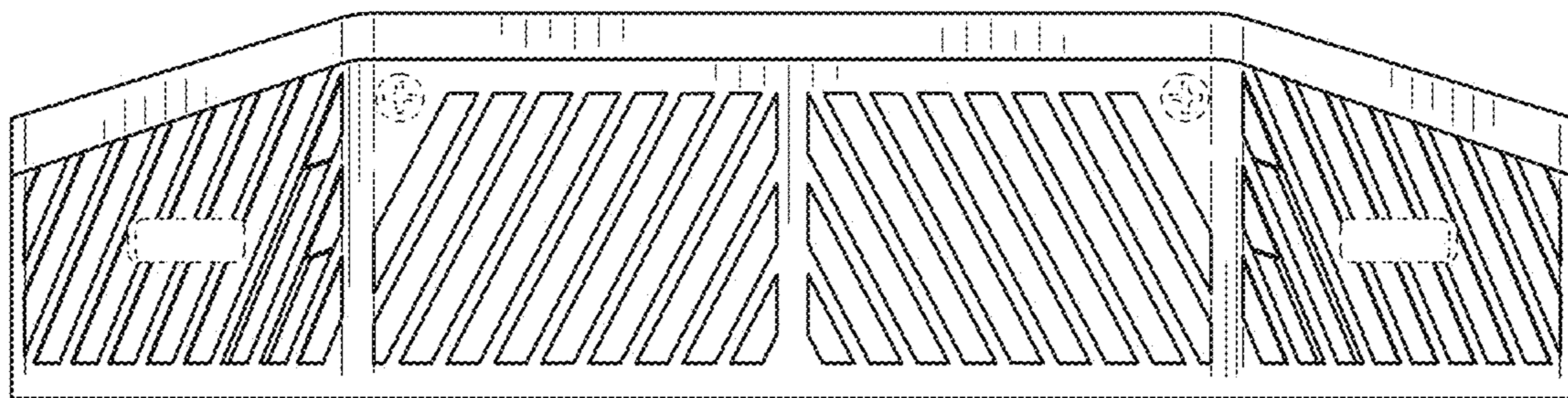


FIG. 16