



US00D919615S

(12) **United States Design Patent**
Probst et al.

(10) **Patent No.:** **US D919,615 S**

(45) **Date of Patent:** **** May 18, 2021**

(54) **PORTABLE INFORMATION HANDLING
SYSTEM HOUSING**

(71) Applicant: **Dell Products L.P.**, Round Rock, TX
(US)

(72) Inventors: **Joshua Young Probst**, Austin, TX
(US); **Jason T. Minehart**, Cedar Park,
TX (US)

(**) Term: **15 Years**

(21) Appl. No.: **29/748,078**

(22) Filed: **Aug. 27, 2020**

Related U.S. Application Data

(63) Continuation of application No. 29/669,211, filed on
Nov. 6, 2018, now Pat. No. Des. 897,337.

(51) **LOC (13) Cl.** **14-02**

(52) **U.S. Cl.**

USPC **D14/324**; D14/327

(58) **Field of Classification Search**

USPC D14/315–328, 331, 334–336, 339–440,
D14/444, 448, 450; D18/1–2, 7, 11,
D18/12.2–12.3

CPC G06F 1/1601; G06F 1/1616; G06F 1/1613;
G06F 1/1633; G06F 1/203; G06F 1/166;
G06F 1/1618; G06F 1/162; G06F 1/1622;
G06F 1/1624; G06F 1/1615; G06F
1/1643; G06F 1/1654; G06F 1/1669;
G06F 1/1688; G06F 1/1652; G06F
1/1681; G06F 1/1632; G06F 1/1635;
H05K 5/0004; H05K 5/0017; H05K
5/0021; H05K 5/0043; H05K 5/0047;
H05K 5/0052

See application file for complete search history.

(56) **References Cited**

U.S. PATENT DOCUMENTS

D615,539 S * 5/2010 Jen D14/315
D624,911 S * 10/2010 Lee D14/315
D664,539 S 7/2012 Massaro

(Continued)

OTHER PUBLICATIONS

Alexa, Best Gaming Laptops of 2018, posted at Icecream Tech
Digest, posting date Mar. 5, 2018. Site visited Dec. 5, 2020. URL:
<<https://icecreamapps.com/blog/best-gaming-laptops-2018/>> (Year:
2018).*

(Continued)

Primary Examiner — Kathleen L Jones

(74) *Attorney, Agent, or Firm* — Zagorin Cave LLP;
Robert W. Holland

(57) **CLAIM**

We claim the ornamental design for portable information
handling system housing, as shown and described.

DESCRIPTION

FIG. 1 is a rear lower perspective view of the portable
information handling system comprising the present inven-
tion;

FIG. 2 is a front elevation view thereof;

FIG. 3 is a rear elevation view thereof;

FIG. 4 is a right side view thereof;

FIG. 5 is a left side view thereof;

FIG. 6 is a top view thereof;

FIG. 7 is a bottom view thereof;

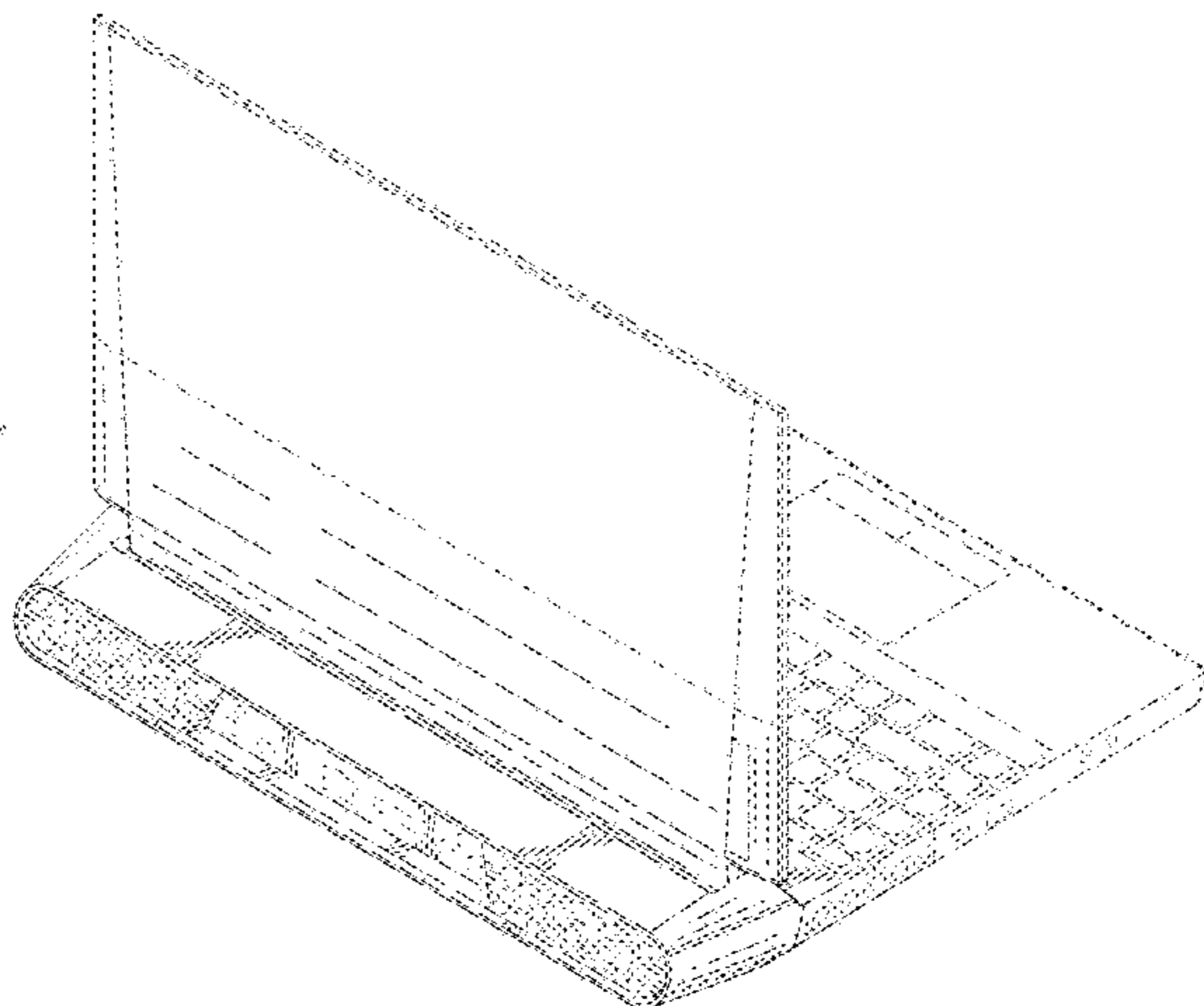
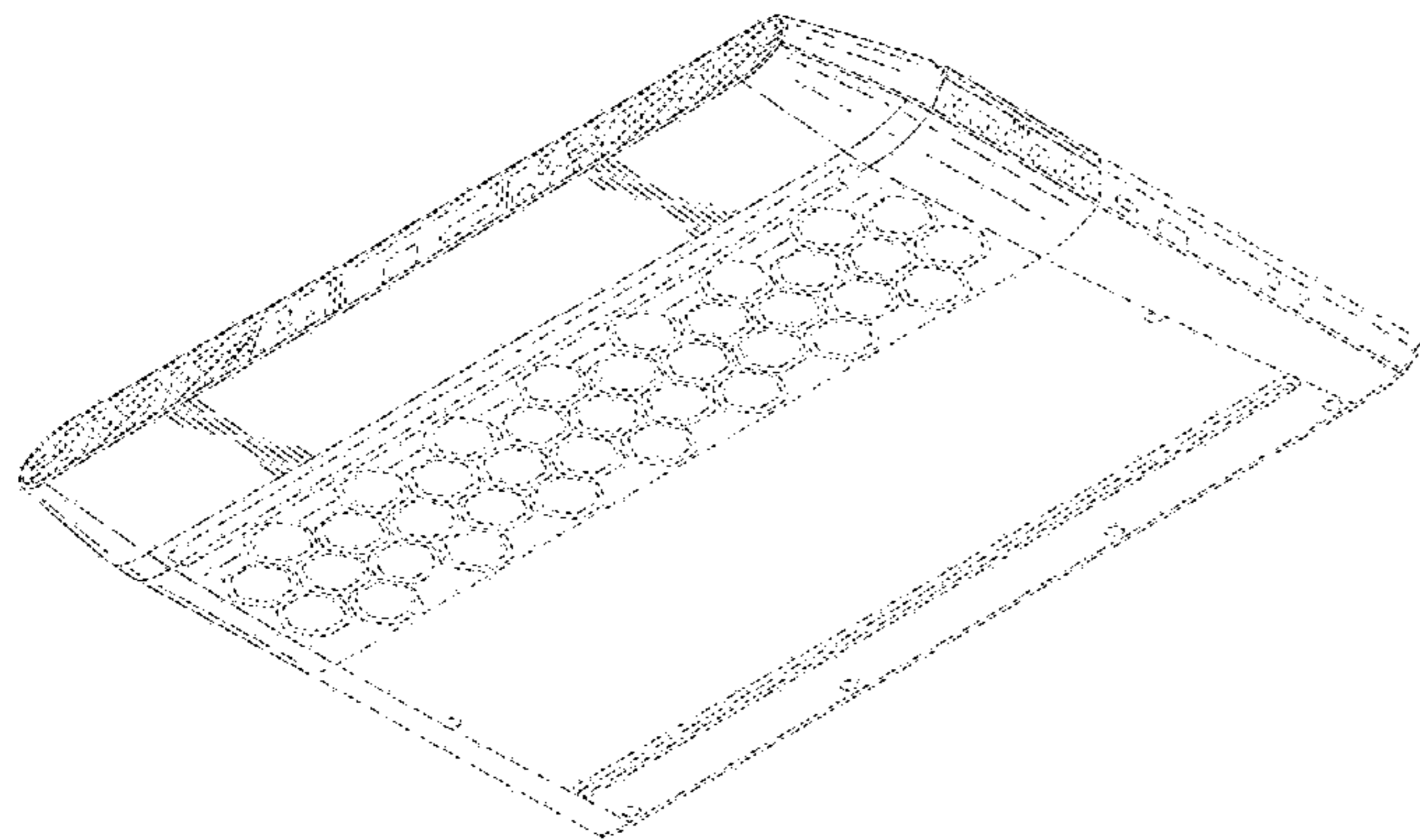
FIG. 8 is a front perspective view in an open position
thereof;

FIG. 9 is a rear upper perspective view thereof; and,

FIG. 10 is a rear upper perspective view in an open position
thereof.

Broken lines shown in the drawings illustrate portions of the
portable information handling system housing, and form no
part of the claimed design. The dot dash broken lines show
boundaries of the claimed design and form no part thereof.

1 Claim, 8 Drawing Sheets



(56)

References Cited

U.S. PATENT DOCUMENTS

D683,727 S 6/2013 Xia
 D683,728 S 6/2013 Xia
 D686,203 S * 7/2013 Lee D14/315
 D698,349 S 1/2014 Sun
 D714,778 S * 10/2014 Lee D14/315
 D732,523 S 6/2015 Riddiford
 D749,561 S * 2/2016 Okuley D14/315
 D751,543 S * 3/2016 Chon D14/327
 D752,575 S 3/2016 Riddiford
 D767,561 S * 9/2016 Lin D14/315
 D794,010 S 8/2017 Smith
 D797,718 S 9/2017 Chu
 D804,467 S 12/2017 Probst
 D813,861 S * 3/2018 Goh D14/315
 D814,461 S 4/2018 Latto
 D824,381 S 7/2018 Collins
 D835,095 S 12/2018 Goh
 D868,789 S 12/2019 Weng
 D877,734 S * 3/2020 Cha D14/327
 D881,873 S 4/2020 Li
 D890,166 S * 7/2020 Jung D14/315
 D890,749 S * 7/2020 Draca D14/327
 D894,178 S 8/2020 Dieterle
 D895,610 S * 9/2020 Chen D14/316
 D895,611 S * 9/2020 Chen D14/316
 D897,337 S * 9/2020 Probst D14/324
 D902,215 S * 11/2020 Quan D14/440
 D907,032 S * 1/2021 Solomon D14/336
 D912,659 S * 3/2021 Cheng D14/315
 2011/0255727 A1 10/2011 Azuchi
 2011/0286163 A1 11/2011 Abe

2013/0057776 A1 3/2013 Yamaguchi
 2013/0057782 A1 3/2013 Takahashi
 2014/0098485 A1 4/2014 Vahid
 2016/0070302 A1 3/2016 Matzke
 2017/0029198 A1 2/2017 Pratt
 2018/0307284 A1 10/2018 Saravis
 2019/0324508 A1 10/2019 Saravis
 2020/0310503 A1 * 10/2020 Wang G06F 1/166

OTHER PUBLICATIONS

Top 20 Best Selling Quad Core / Gaming Laptops 2018, posted at Reinis Fischer, posting date May 1, 2018. Site visited Dec. 5, 2020. URL: <<https://www.reinifischer.com/top-20-best-selling-quad-core-gaming-laptops-2018>> (Year: 2018).*

Johnson, M., Top 10 Best Desktop Replacement Laptops, posted at Laptop Under Budget, posting date May 4, 2019. Site visited Oct. 24, 2019, URL: <<http://laptopunderbudget.com/best-desktop-replacement-laptops/>>, Year: 2019.

Chan, B., et al., CES 2007: Samsung rejoins the gaming notebook market with its Odyssey laptops, posted at HardwareZone, posting date Jan. 1, 2017. Site visited Oct. 28, 2019. URL: <<https://www.hardwarezone.com.my/tech-news-ces-2017-samsung-rejoins-gaming-notebook-market-its-odyssey-laptops>> Year: 2017.

CN-304624712, published at Orbit.com, publication date May 11, 2018. Site visited Oct. 28, 2019. Available from Internet. Year: 2018.

Thermaltake Announces Massive23 Notebook Coolers, posted at TweakTown, posting date May 29, 2009. Site visited Oct. 28, 2019. URL: <https://www.tweaktown.com/pressrelease/1478/thermaltake_announces_massive23_notebook_coolers/index.html> Year: 2009.

* cited by examiner

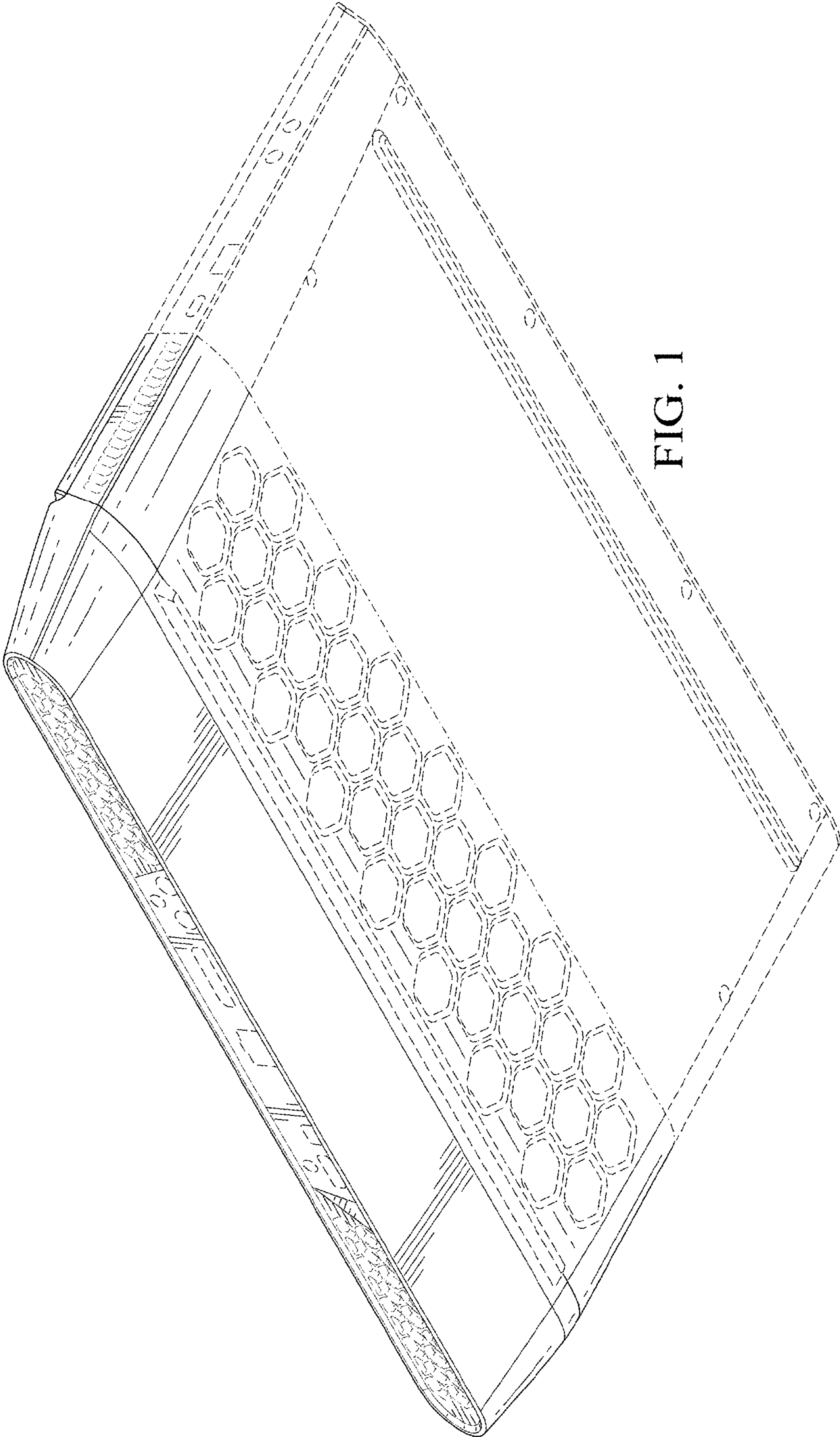


FIG. 1

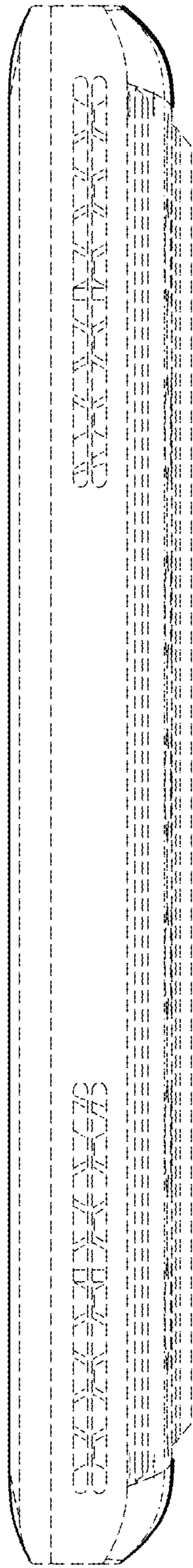


FIG. 2

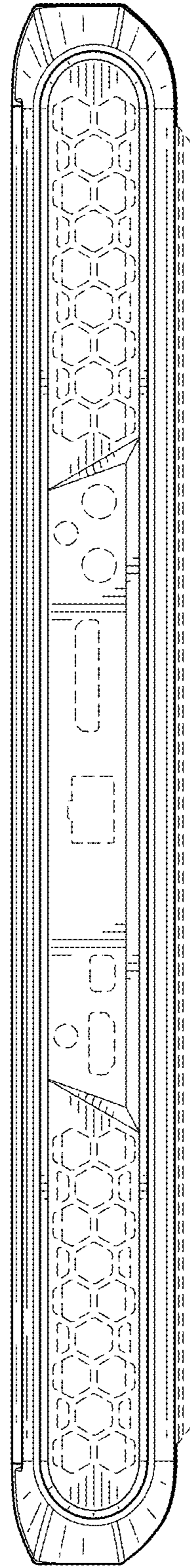


FIG. 3

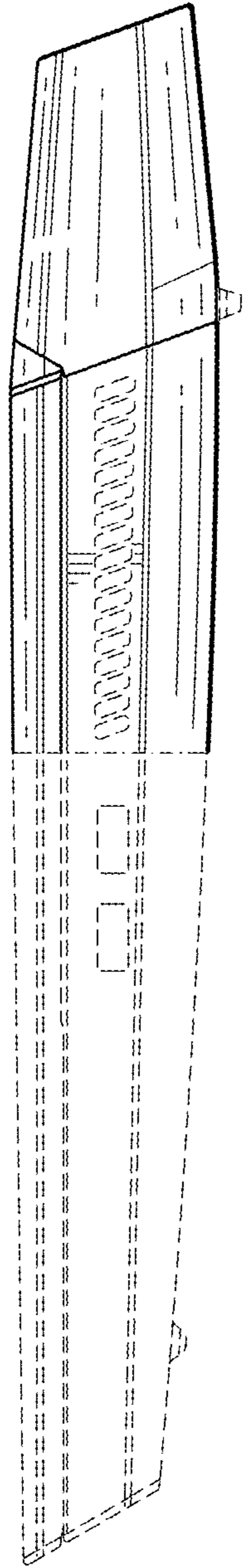


FIG. 4

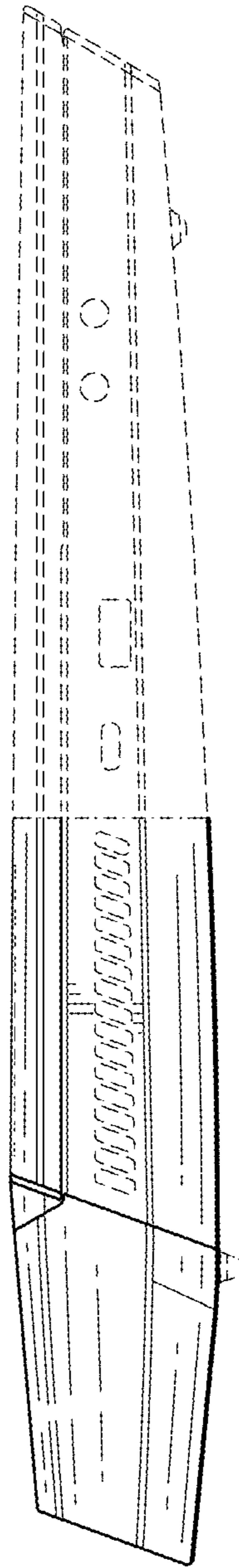


FIG. 5



FIG. 6

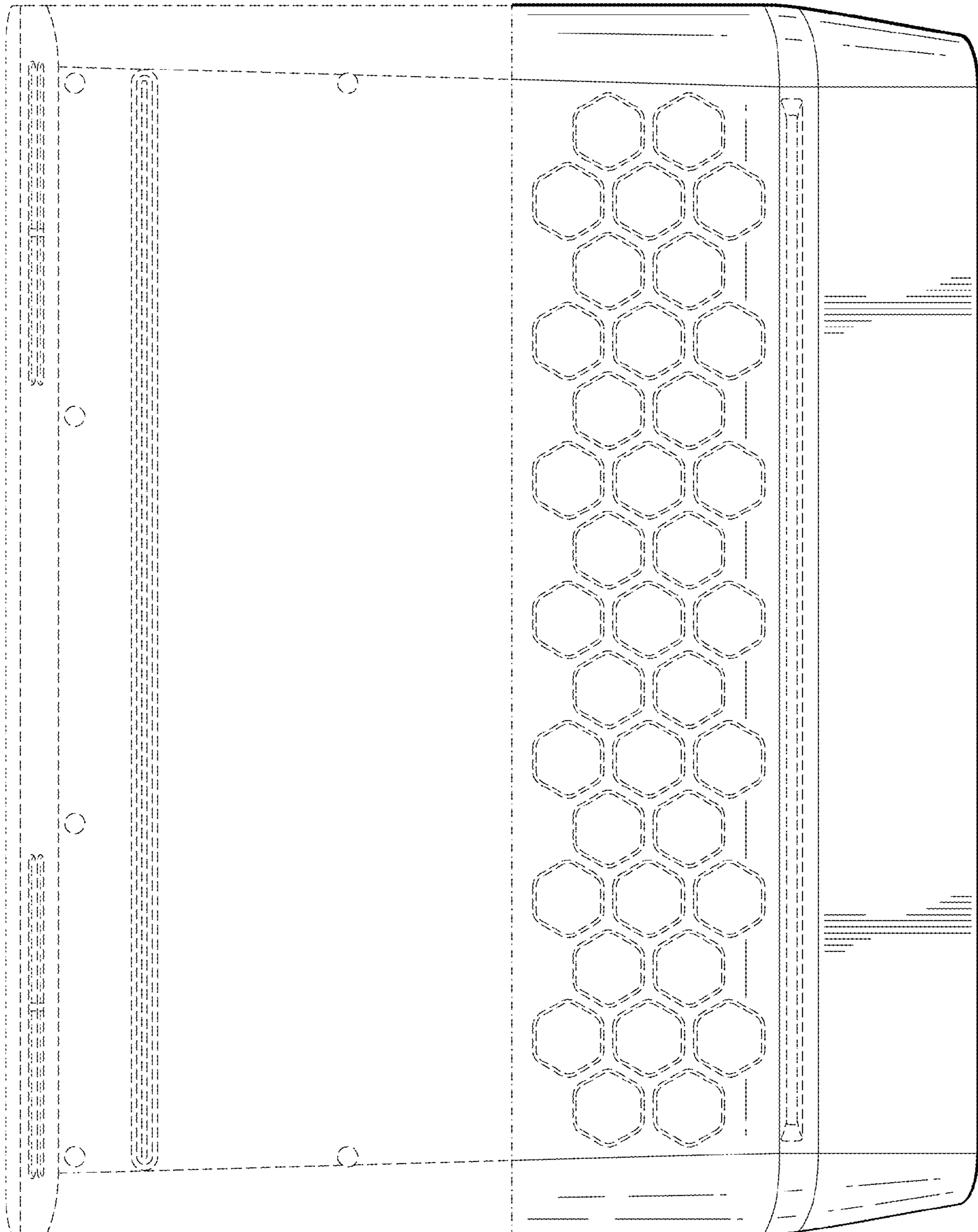


FIG. 7

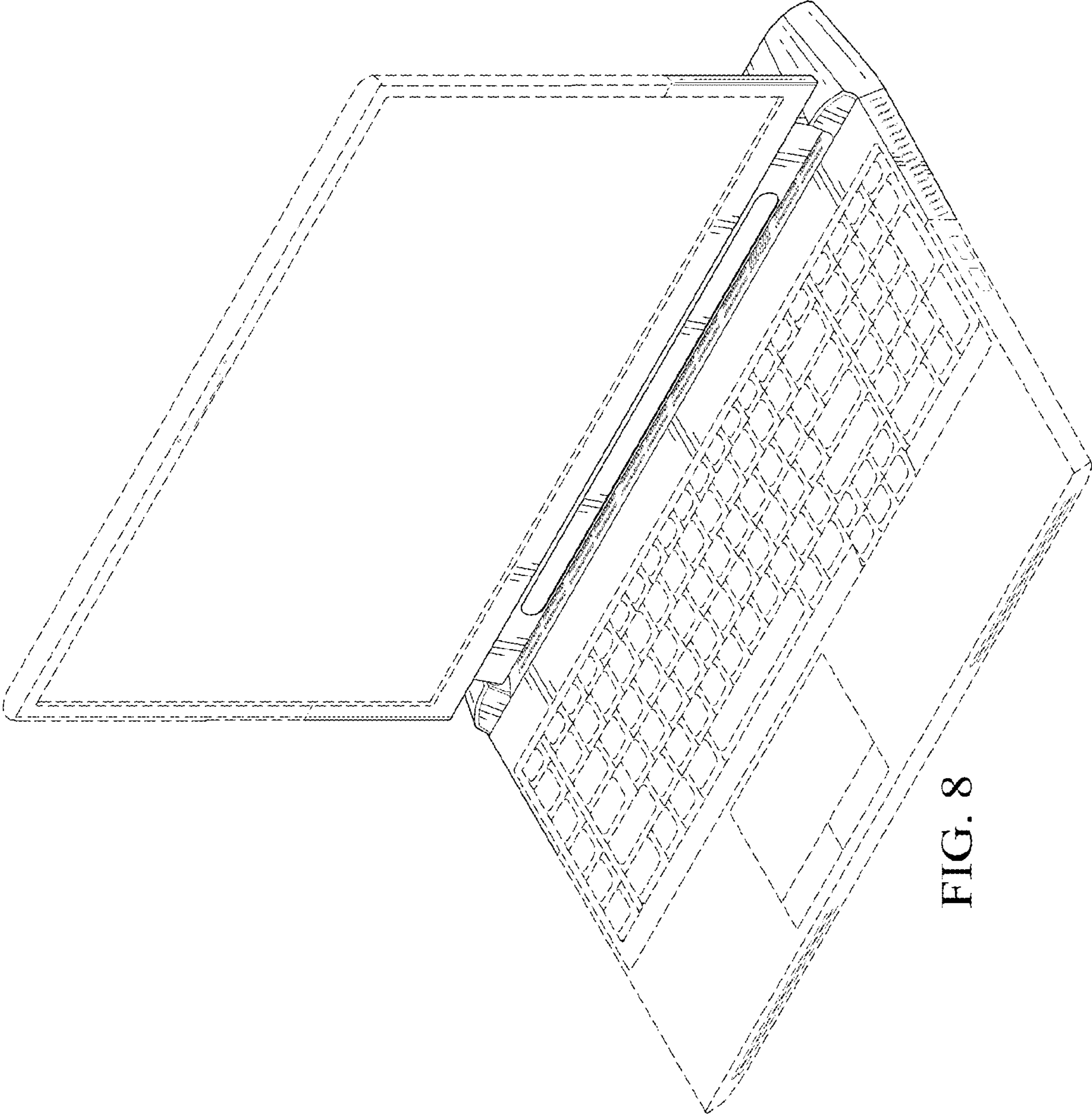


FIG. 8

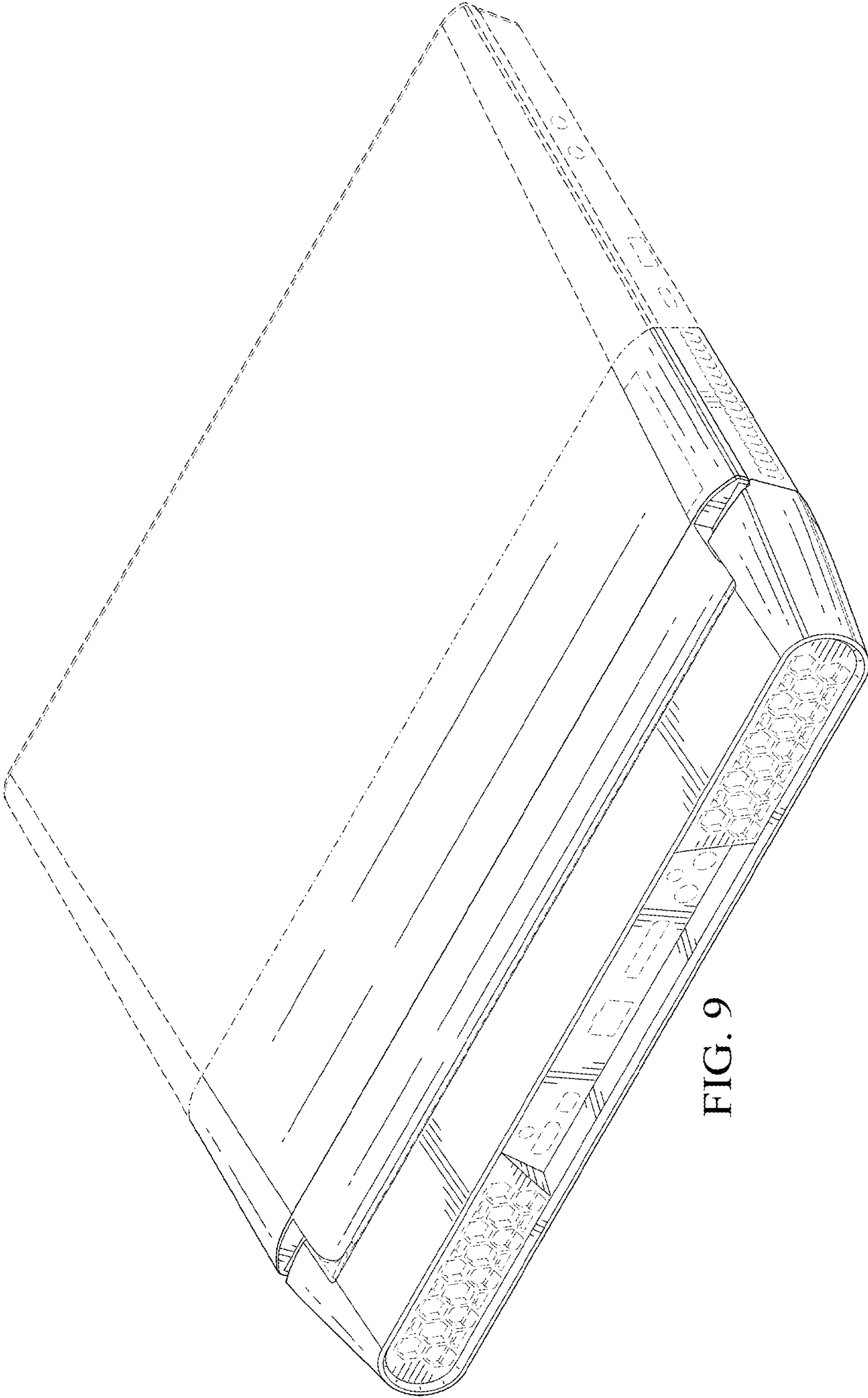


FIG. 9

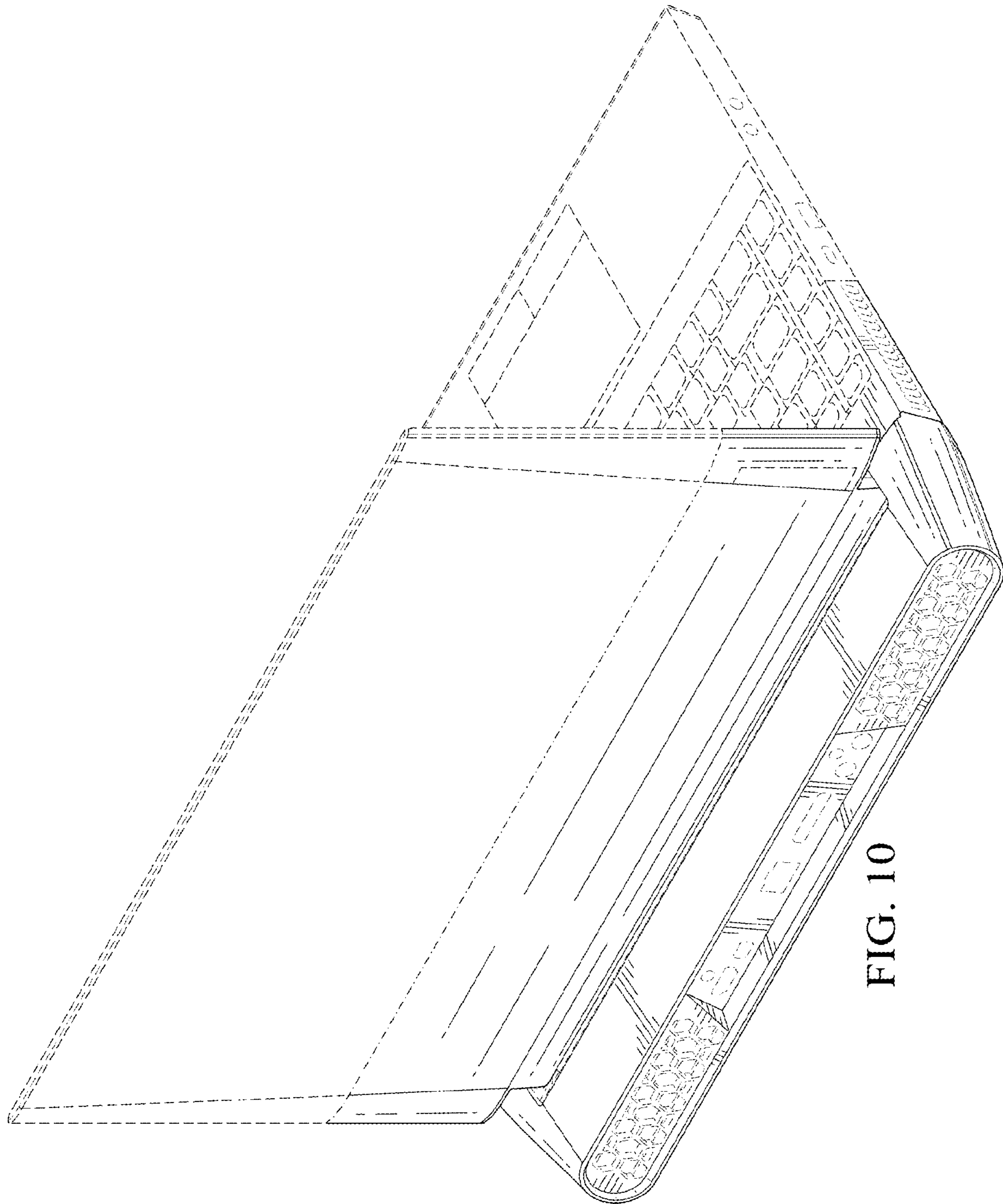


FIG. 10