



US00D919614S

(12) **United States Design Patent** (10) **Patent No.:** **US D919,614 S**
Huang et al. (45) **Date of Patent:** **** May 18, 2021**

(54) **COMPUTER CASE**

FOREIGN PATENT DOCUMENTS

(71) Applicant: **ADATA TECHNOLOGY CO., LTD.**,
New Taipei (TW)

CN 305195831 * 6/2019
CN 305307281 * 8/2019

(Continued)

(72) Inventors: **Chih-Chun Huang**, Taipei (TW);
Shun-Wen Chan, Taipei (TW)

OTHER PUBLICATIONS

(73) Assignee: **ADATA TECHNOLOGY CO., LTD.**,
New Taipei (TW)

XPG Invader Mid-Tower Chassis, Adata, xpg.com, author and date not listed © 2020 ADATA Technology Co., Ltd., online, site visited Sep. 4, 2020. Available at URL: <https://www.xpg.com/en/feature/638/> (Year: 2020).*

(**) Term: **15 Years**

(21) Appl. No.: **29/698,908**

Primary Examiner — Marissa J Cash

Assistant Examiner — Altaira J Swangin

(22) Filed: **Jul. 22, 2019**

(74) *Attorney, Agent, or Firm* — Li & Cai Intellectual Property (USA) Office

(30) **Foreign Application Priority Data**

May 24, 2019 (TW) 108303017

(51) **LOC (13) Cl.** **14-02**

(57) **CLAIM**

(52) **U.S. Cl.**
USPC **D14/314**

The ornamental design for a computer case, as shown and described.

(58) **Field of Classification Search**
USPC D14/140.1, 140.2, 240, 242, 301–302,
D14/308, 348–349, 351–359, 440–441,
D14/444–446; D9/424, 430, 432–433;
206/706–709, 722–725; D13/103,
D13/110–112, 122, 158–160, 184;
D23/364–365, 270; 361/679.01, 679.02,
361/679.21
CPC .. G06F 1/18; G06F 1/181; G06F 1/20; H05K
5/00; H05K 5/03; H05K 5/04; H05K
5/0213

DESCRIPTION

See application file for complete search history.

FIG. 1 is a front perspective view of a computer case showing our new design;
FIG. 2 is a front elevational view thereof;
FIG. 3 is a rear elevational view thereof;
FIG. 4 is a left side elevational view thereof;
FIG. 5 is a right side elevational view thereof;
FIG. 6 is a top plan view thereof;
FIG. 7 is a bottom plan view thereof;
FIG. 8 is a rear perspective view thereof; and,
FIG. 9 is another left side elevational view, showing the computer case in use with environment.
The broken lines within the computer case in FIG. 9 illustrate environment that forms no part of the claim design. All other broken lines illustrate portions of the computer case that form no part of the claimed design.

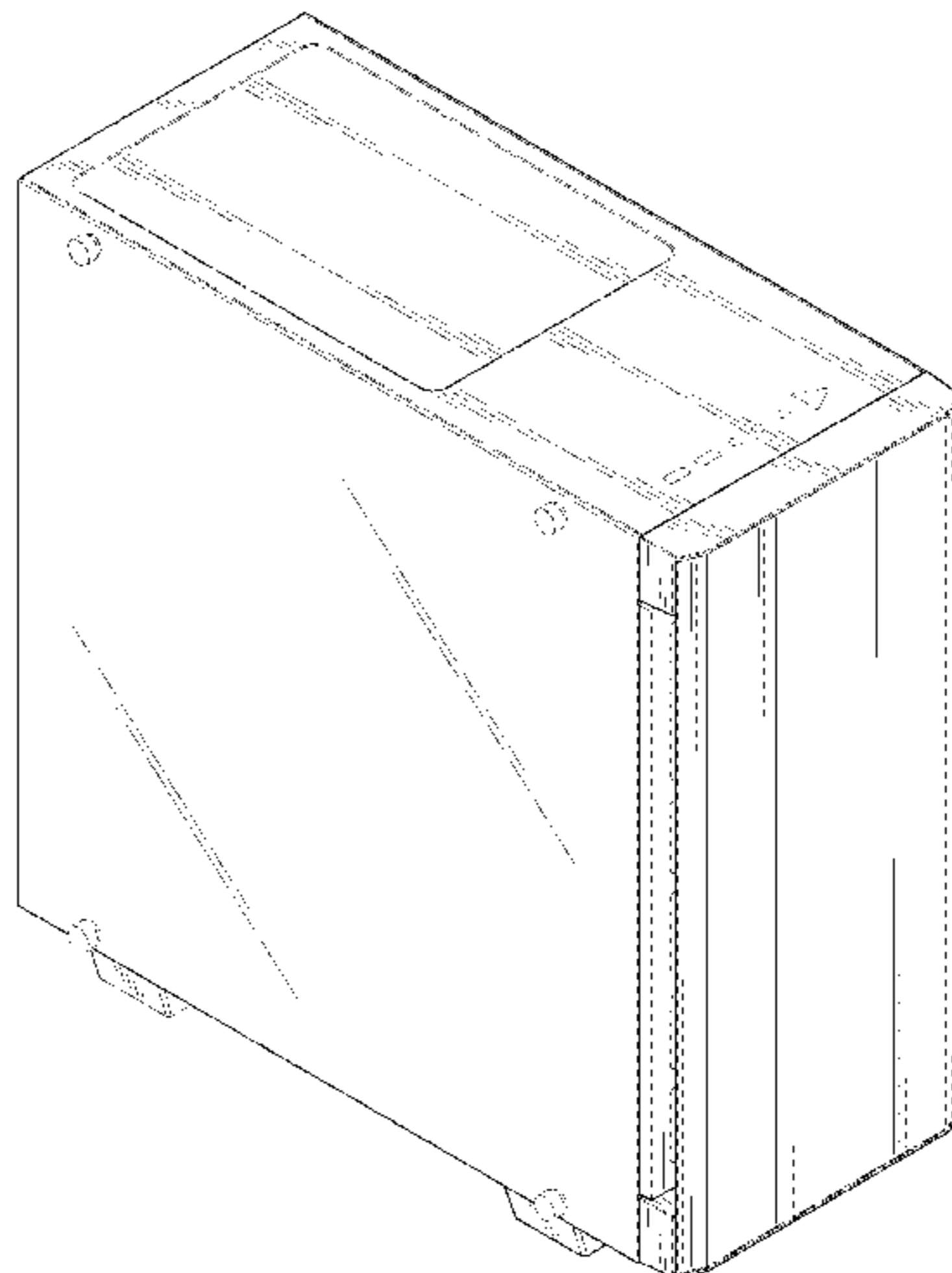
(56) **References Cited**

U.S. PATENT DOCUMENTS

D393,836 S * 4/1998 Hisatsune D14/356
D625,718 S * 10/2010 Lee D14/349
D647,088 S * 10/2011 Chen D14/349
D768,625 S * 10/2016 Lucaci D14/349
D778,872 S * 2/2017 Yang D14/204

(Continued)

1 Claim, 9 Drawing Sheets



(56)

References Cited

U.S. PATENT DOCUMENTS

D795,254 S * 8/2017 Ishida D14/358
10,251,298 B1 * 4/2019 Lin G06F 1/181
10,514,733 B1 * 12/2019 Hsu G06F 1/181
D886,085 S * 6/2020 Ju D14/240
D903,665 S * 12/2020 Yoon D14/349
2008/0278900 A1 * 11/2008 Mau H05K 5/0004
361/679.02
2010/0284141 A1 * 11/2010 Baitz G06F 1/187
361/679.33
2013/0140969 A1 * 6/2013 Chen G06F 1/181
312/223.2
2016/0098068 A1 * 4/2016 Liu G06F 1/20
361/679.5
2019/0212791 A1 * 7/2019 Zeng G06F 1/181
2020/0068736 A1 * 2/2020 Kelly H02B 1/01
2020/0315046 A1 * 10/2020 Sato H05K 5/0226

FOREIGN PATENT DOCUMENTS

CN 305510042 * 12/2019
CN 305544225 * 1/2020

* cited by examiner

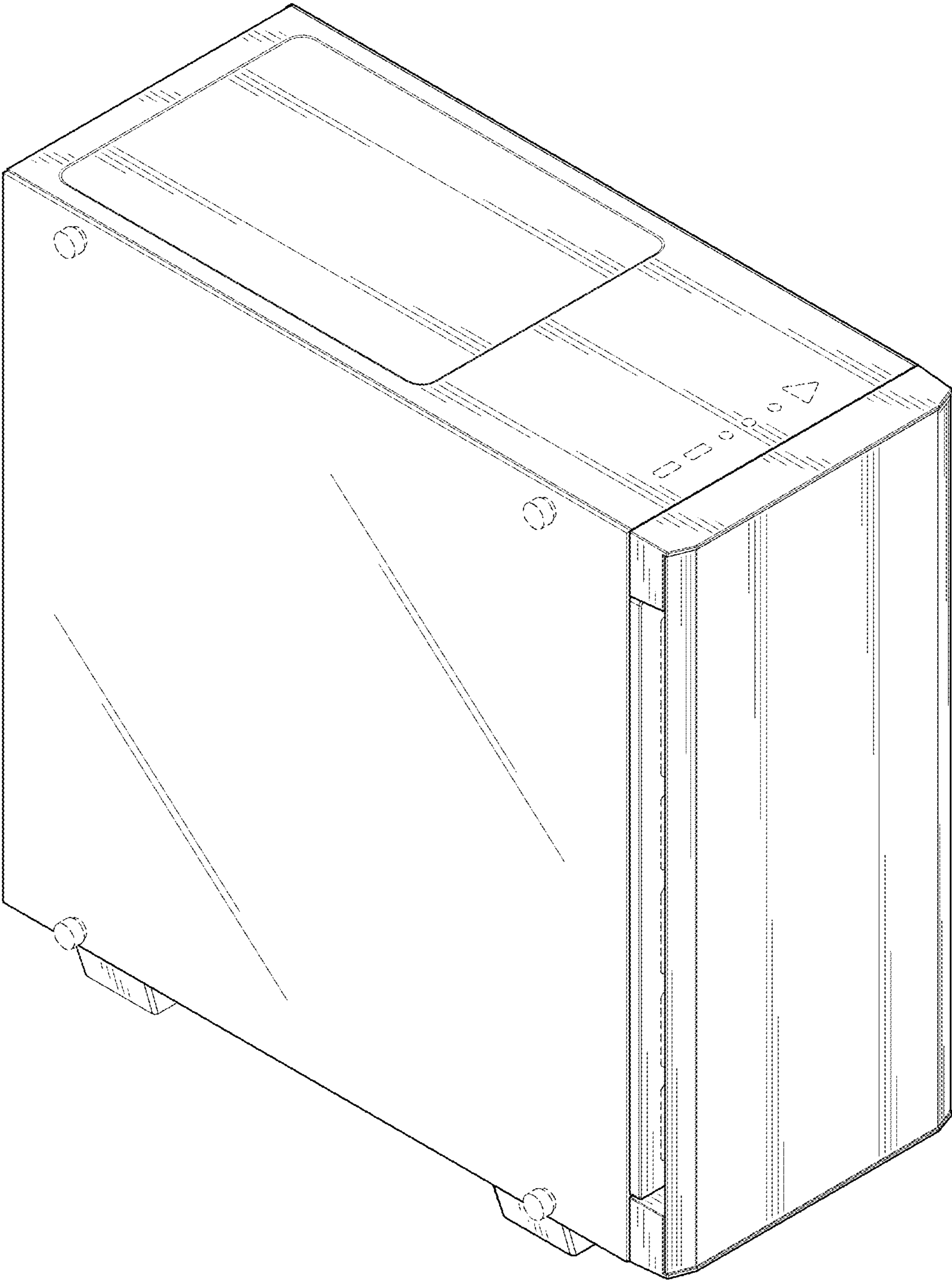


FIG. 1

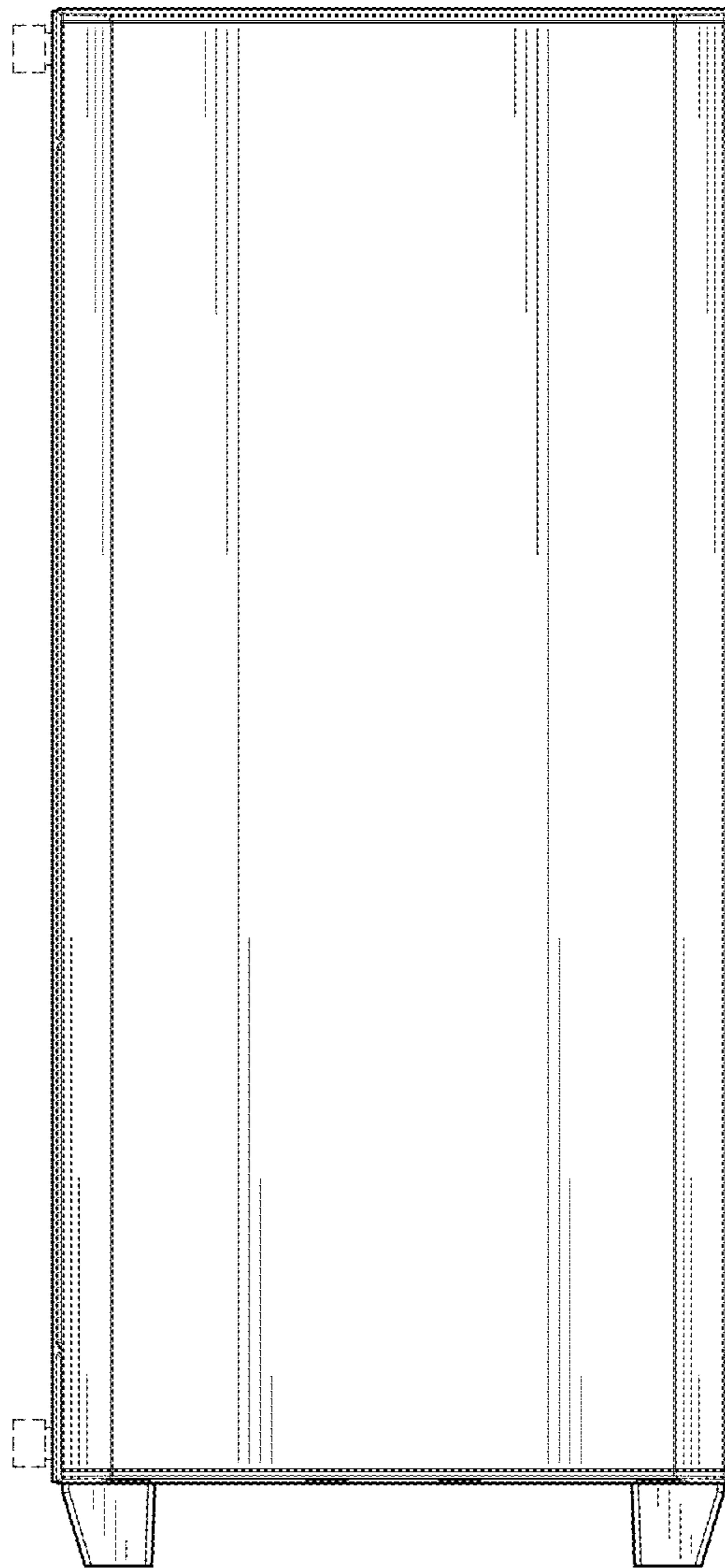


FIG. 2

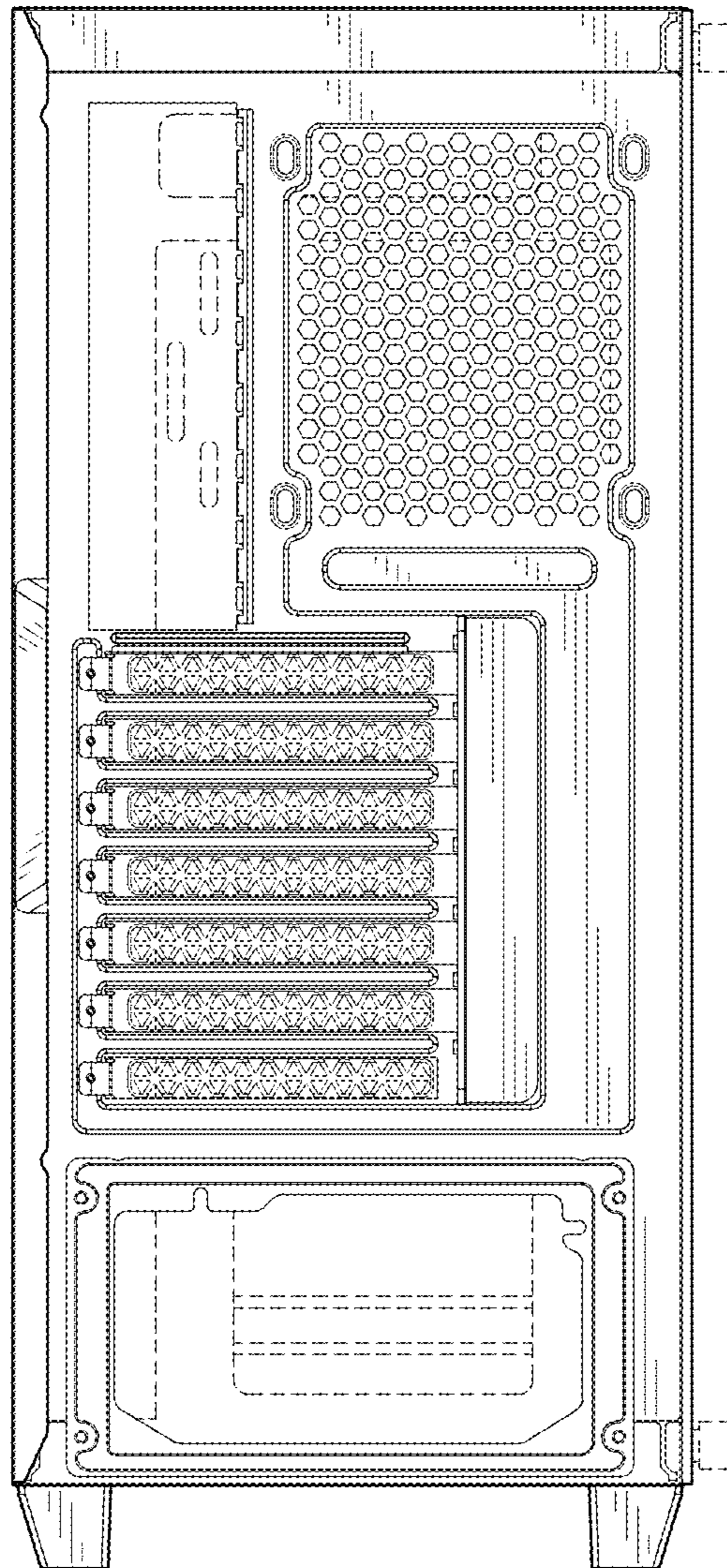


FIG. 3

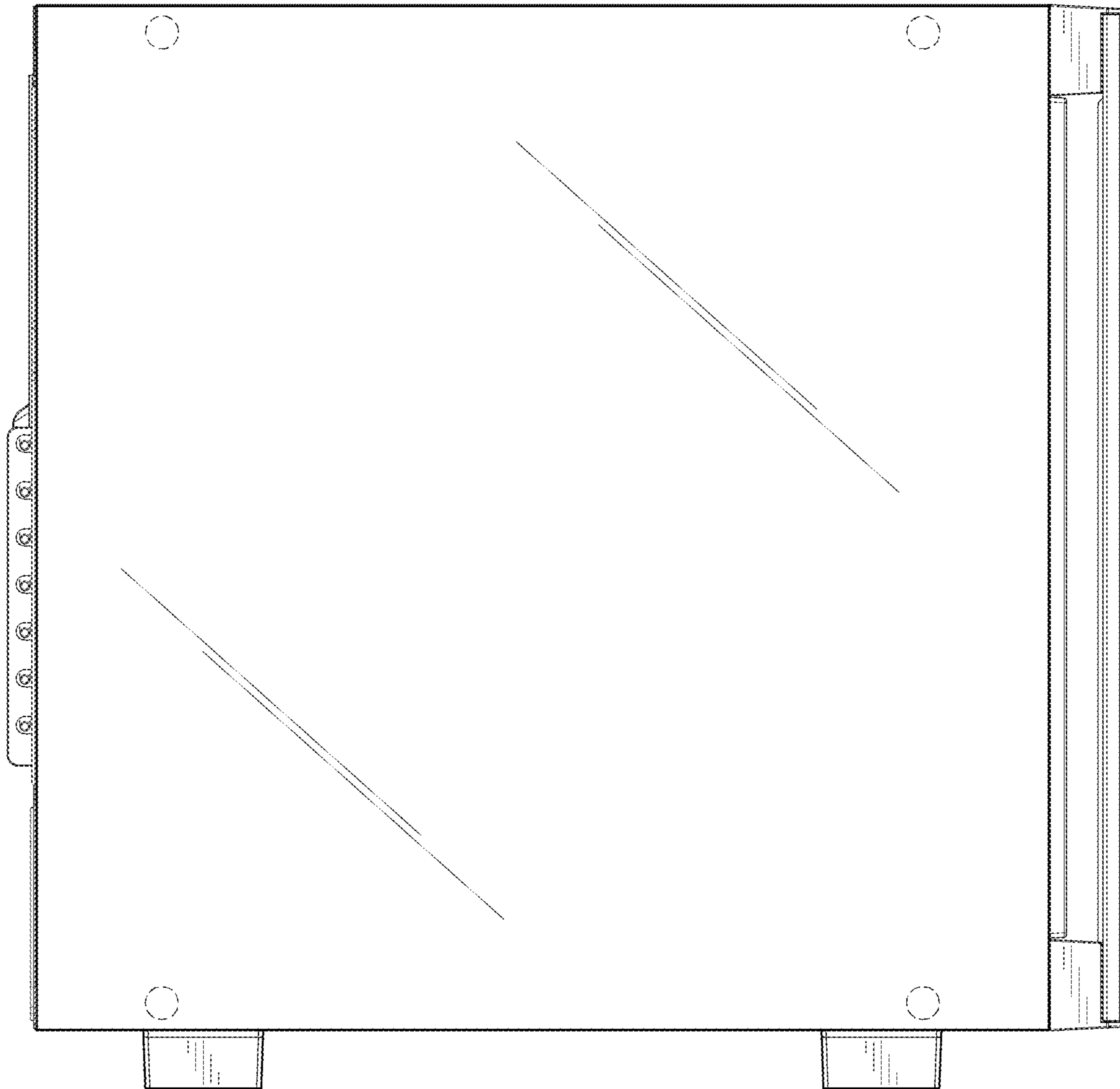


FIG. 4

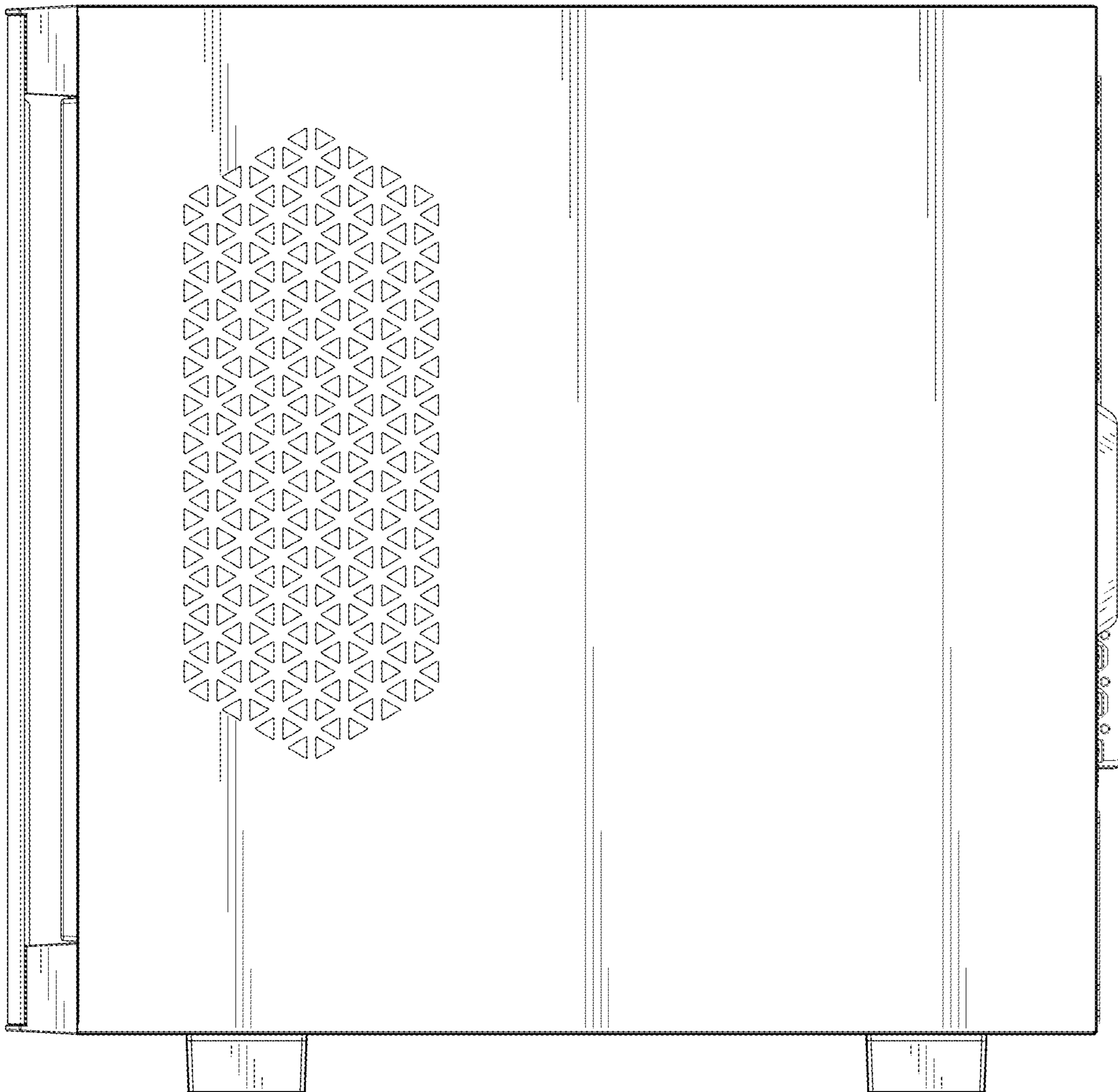


FIG. 5

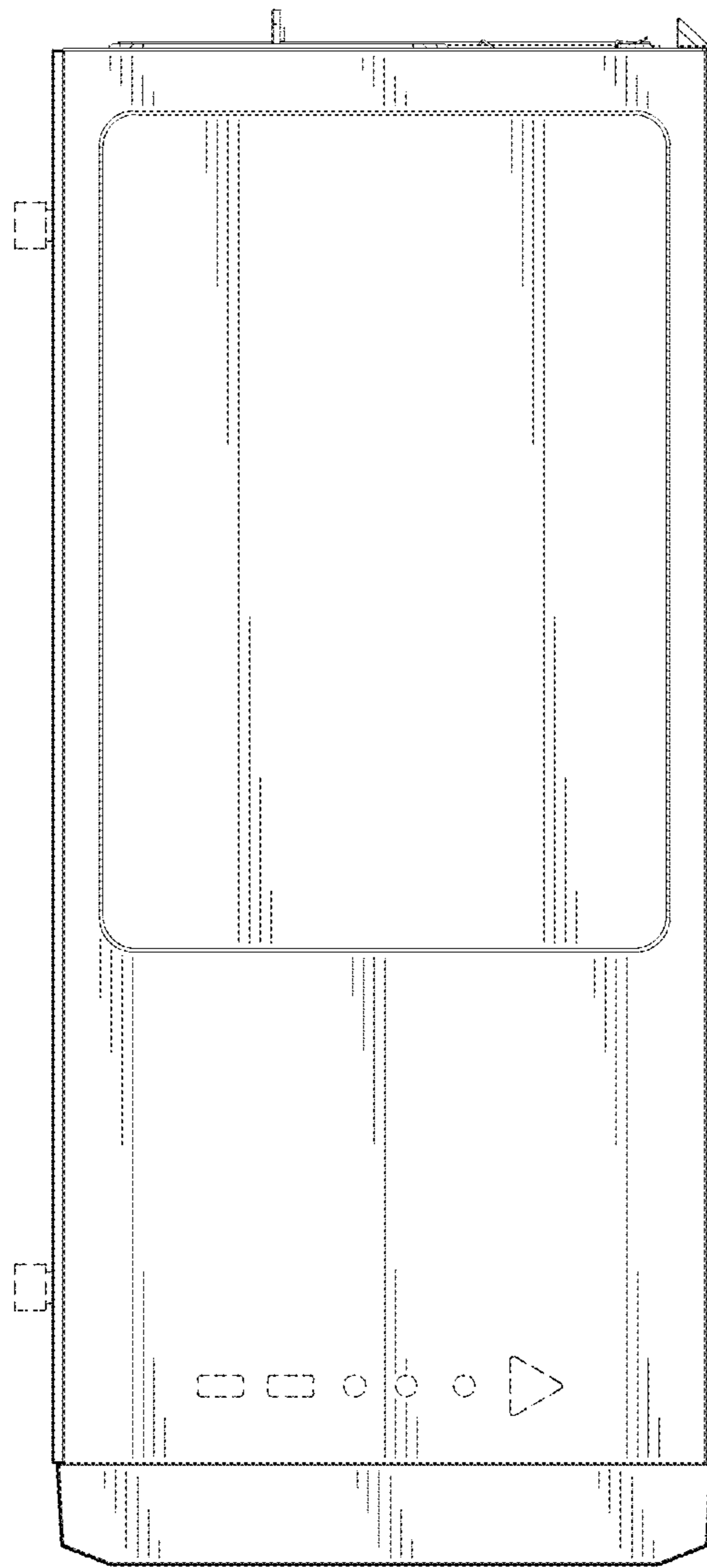


FIG. 6

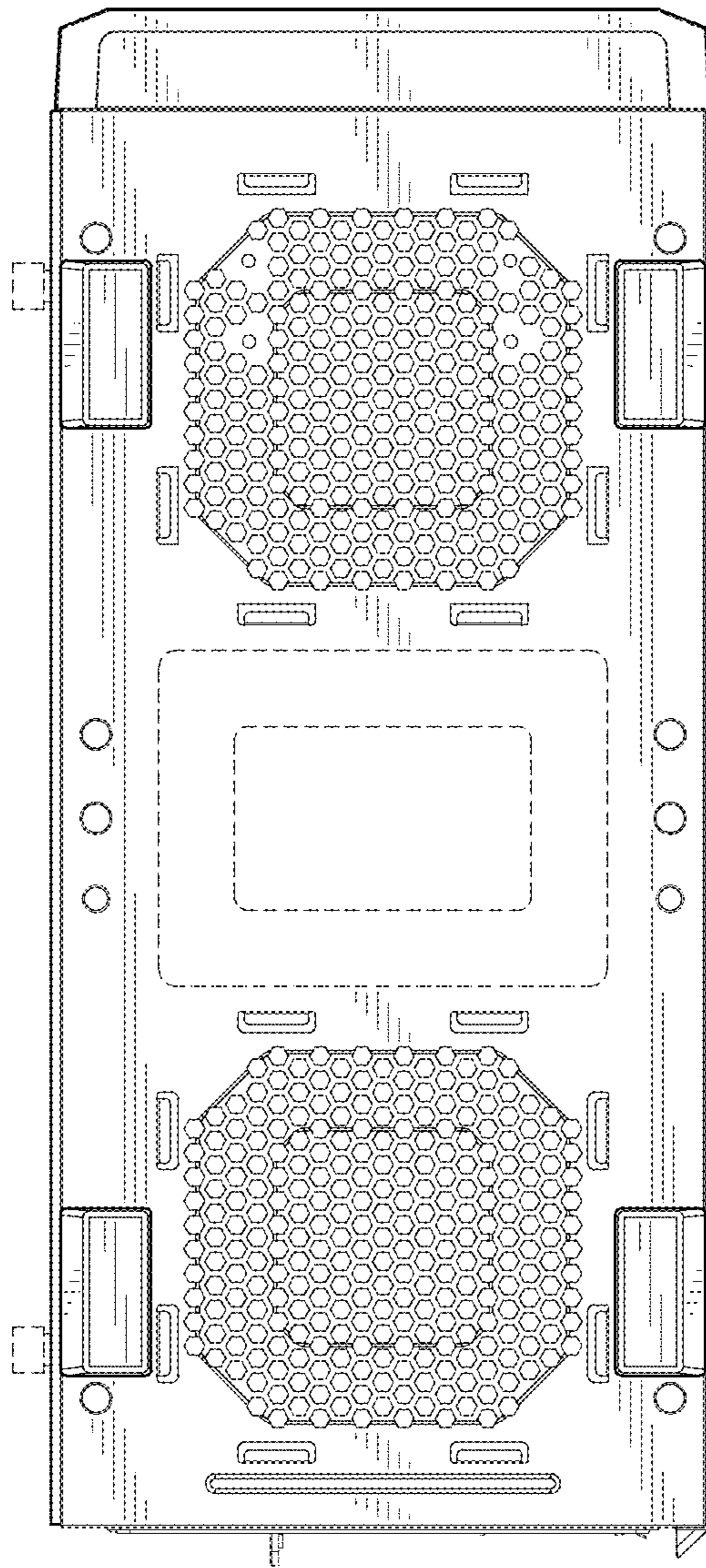


FIG. 7

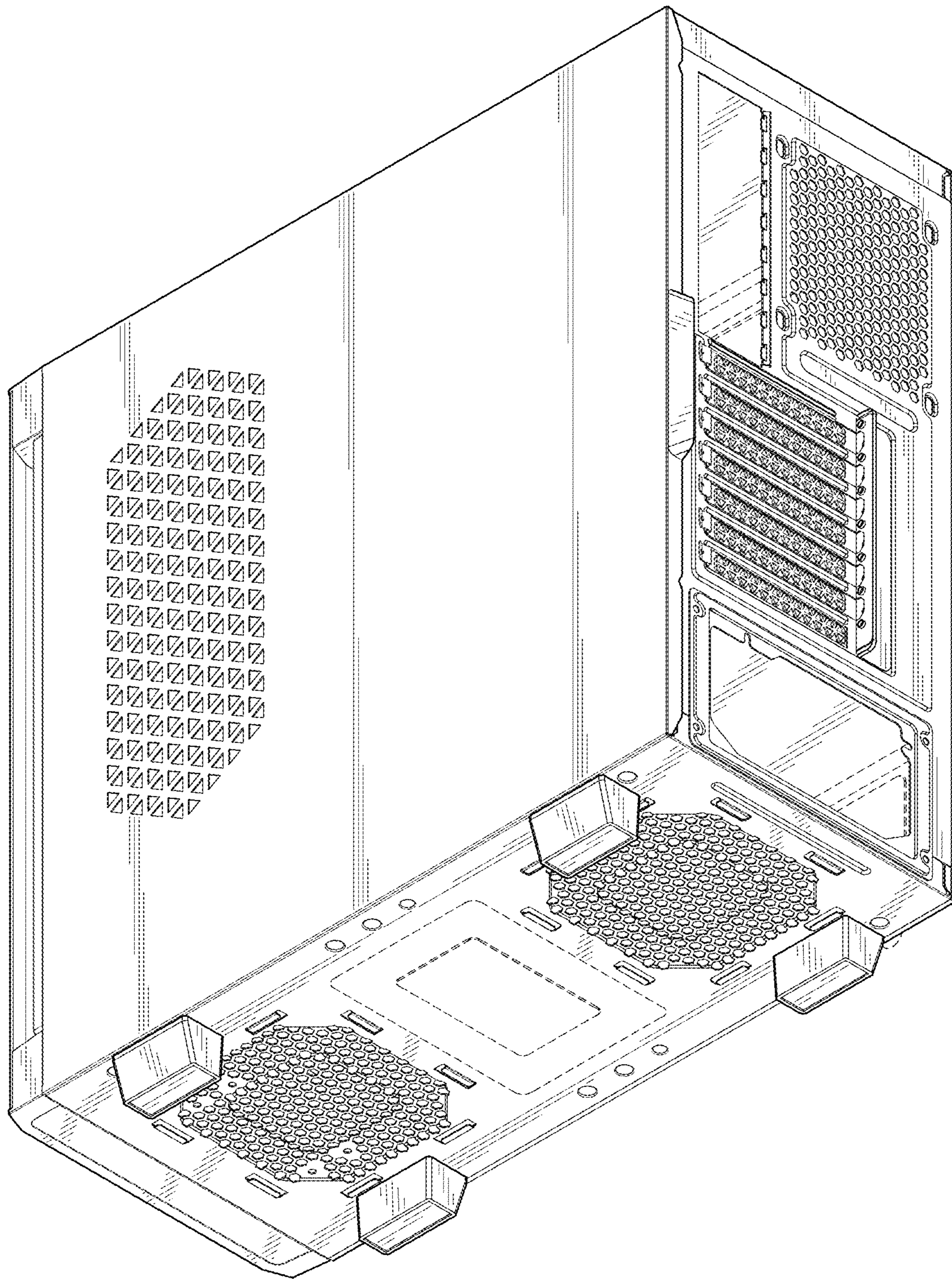


FIG. 8

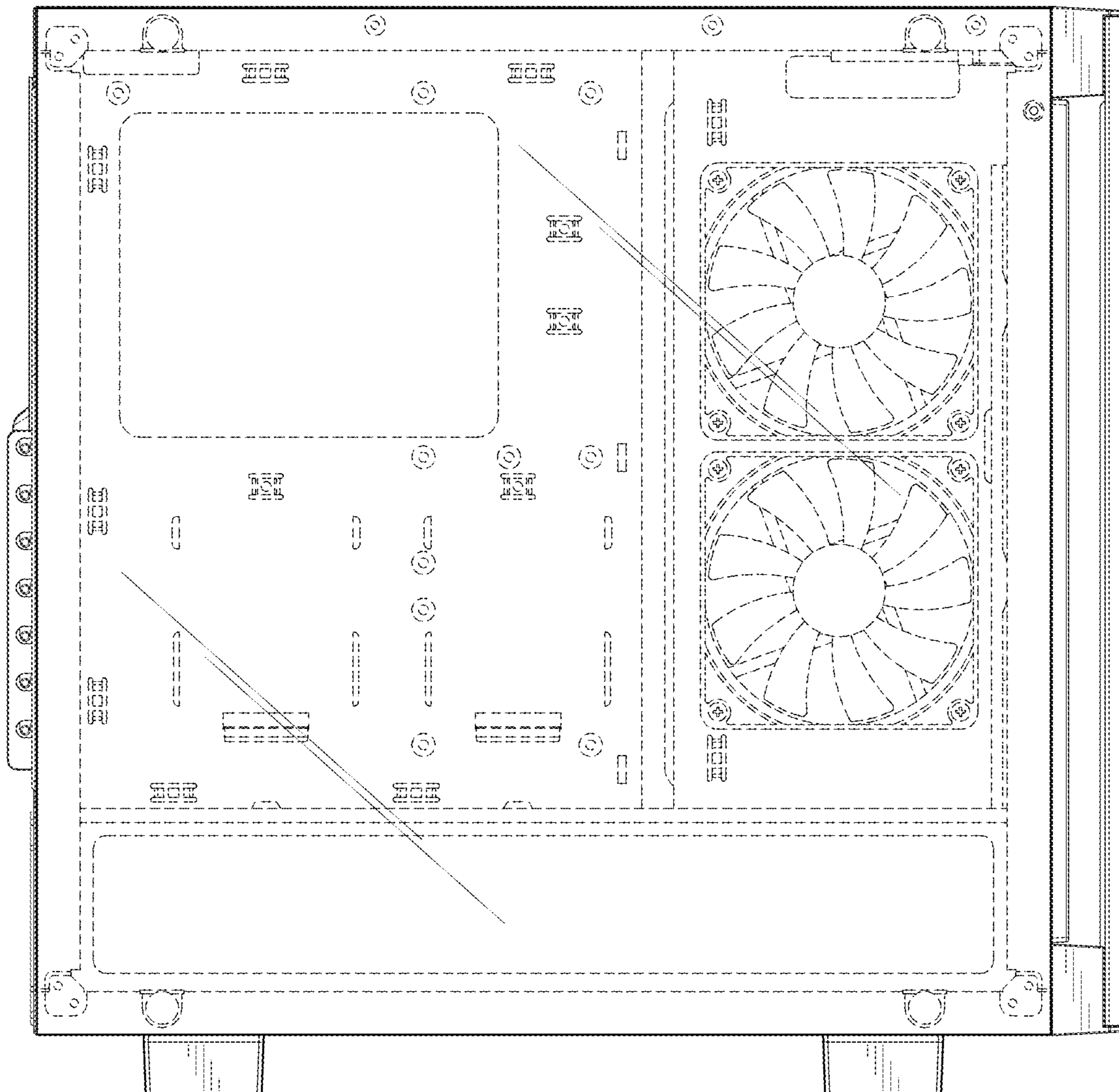


FIG. 9