



US00D919611S

(12) **United States Design Patent** (10) **Patent No.:** **US D919,611 S**  
**Wang** (45) **Date of Patent:** **\*\* May 18, 2021**

(54) **STAND FOR ELECTRONIC PRODUCTS**  
(71) Applicant: **SHENZHEN YONGFENGWANG TECHNOLOGY LIMITED**, Shenzhen (CN)  
(72) Inventor: **Hongbin Wang**, Shenzhen (CN)  
(73) Assignee: **SHENZHEN YONGFENGWANG TECHNOLOGY LIMITED**, Shenzhen (CN)

D789,348 S \* 6/2017 Kim ..... D14/253  
D799,464 S \* 10/2017 Zaihui ..... D14/252  
D804,490 S 12/2017 Wei  
D816,027 S \* 4/2018 Chen ..... D13/108  
D840,997 S 2/2019 Chen  
D868,753 S \* 12/2019 Kolton ..... D14/224  
D871,809 S \* 1/2020 Kimura ..... D6/682  
D874,452 S 2/2020 Chen  
D886,051 S \* 6/2020 Chen ..... D13/108  
D893,499 S \* 8/2020 Kirkpatrick ..... D14/447  
D894,648 S \* 9/2020 Peng ..... D6/682  
D896,009 S \* 9/2020 Holmes ..... D6/682.3

(\*\*) Term: **15 Years**  
(21) Appl. No.: **29/762,954**  
(22) Filed: **Dec. 18, 2020**  
(51) **LOC (13) Cl.** ..... **14-03**  
(52) **U.S. Cl.**  
USPC ..... **D14/253**  
(58) **Field of Classification Search**  
USPC ..... D6/672, 675, 675.1, 680, 680.2, 682, D6/682.1, 682.2, 682.3, 682.4, 512, 702; D19/75, 77, 92; D14/240, 248, 251, 252, D14/253  
CPC .. A47F 5/00; A47F 5/0081; A47F 3/14; A47F 5/0018; A47F 5/10  
See application file for complete search history.

**FOREIGN PATENT DOCUMENTS**

CN 304345159 S 11/2017  
CN 304578379 S 4/2018  
JP 1565108 S 12/2016  
JP 1572119 S 3/2017  
KR 30-0868113 8/2016

\* cited by examiner

*Primary Examiner* — Kelley A Donnelly  
(74) *Attorney, Agent, or Firm* — Hemisphere Law, PLLC; Zhigang Ma

(57) **CLAIM**

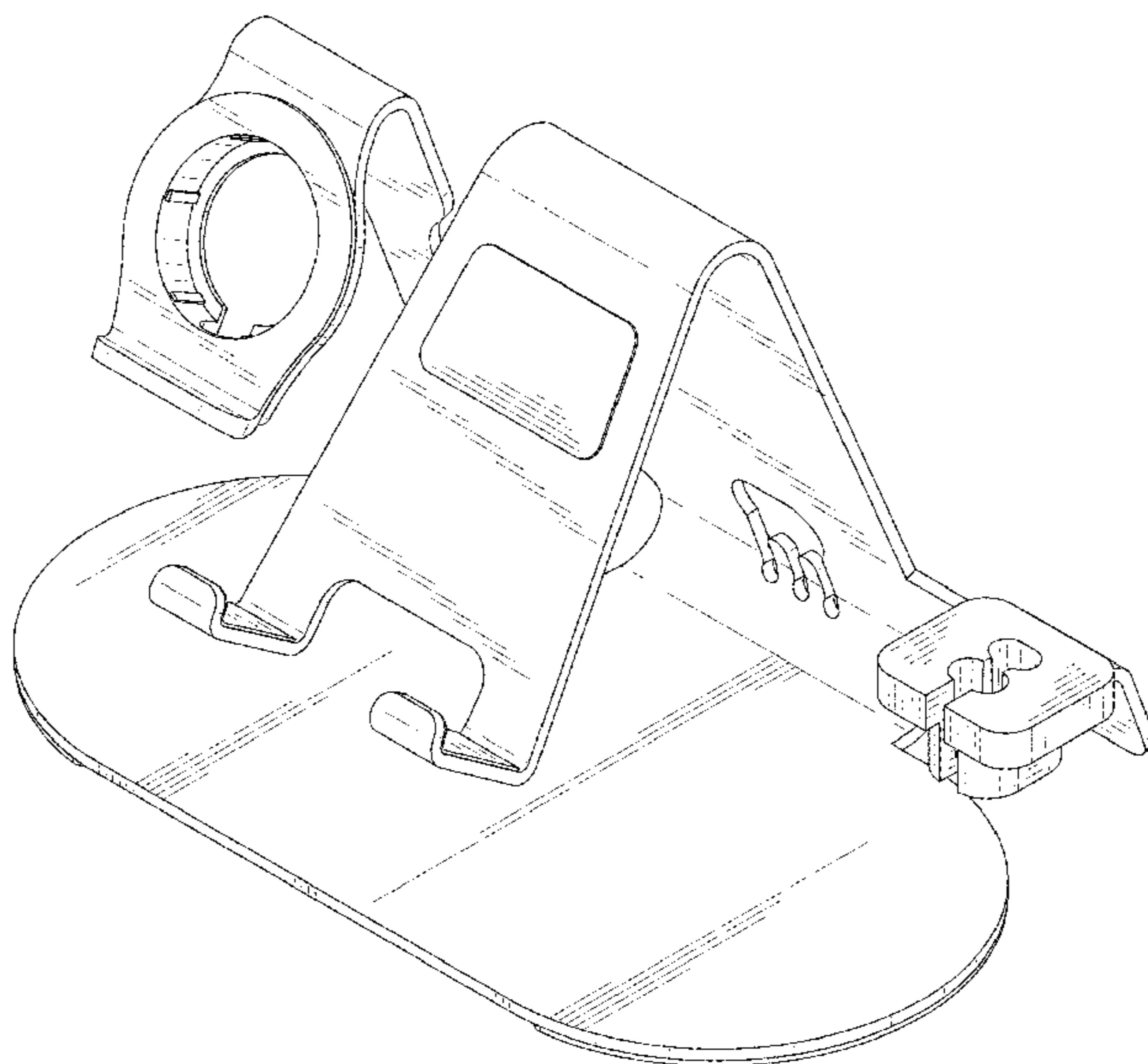
The ornamental design for a stand for electronic products, as shown.

**DESCRIPTION**

FIG. 1 is a perspective view of a stand for electronic products showing my new design; FIG. 2 is another perspective view seen from the back side thereof; FIG. 3 is a front view thereof; FIG. 4 is a rear view thereof; FIG. 5 is a left side view thereof; FIG. 6 is a right side view thereof; FIG. 7 is a top view thereof; and, FIG. 8 is a bottom view thereof.

**1 Claim, 8 Drawing Sheets**

(56) **References Cited**  
U.S. PATENT DOCUMENTS  
D369,039 S \* 4/1996 Guccione ..... D6/682  
D571,360 S 6/2008 Andre et al.  
D582,901 S \* 12/2008 Bentley ..... D14/224  
D641,713 S \* 7/2011 Petrillo ..... D13/168  
D718,742 S 12/2014 Warner  
D730,888 S \* 6/2015 Malsan ..... D14/253  
D750,089 S 2/2016 Langhein  
D771,615 S 11/2016 Pignotti  
D771,616 S 11/2016 Bo  
D772,218 S 11/2016 Alesi et al.  
D788,762 S 6/2017 Kim et al.



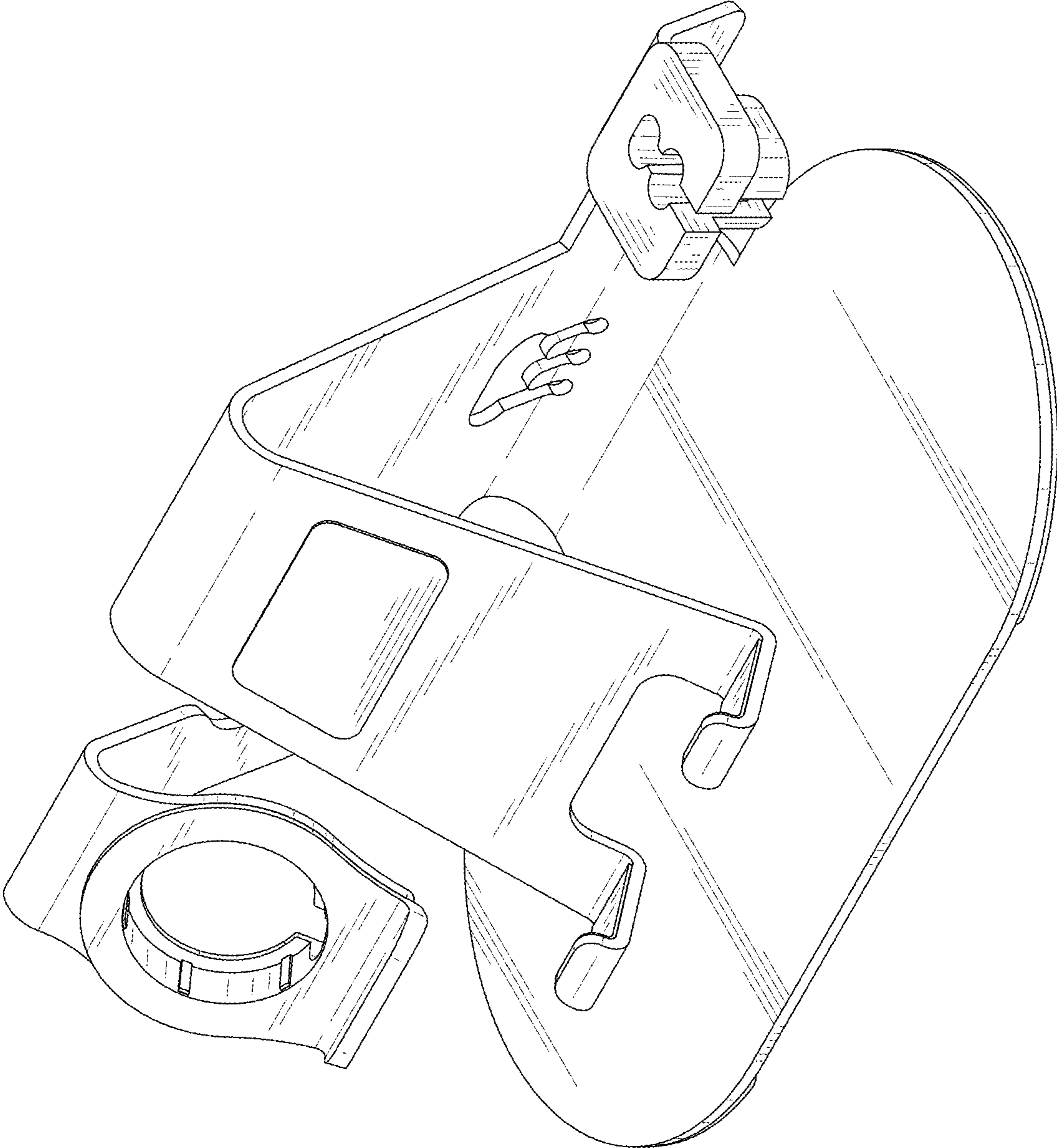


FIG. 1

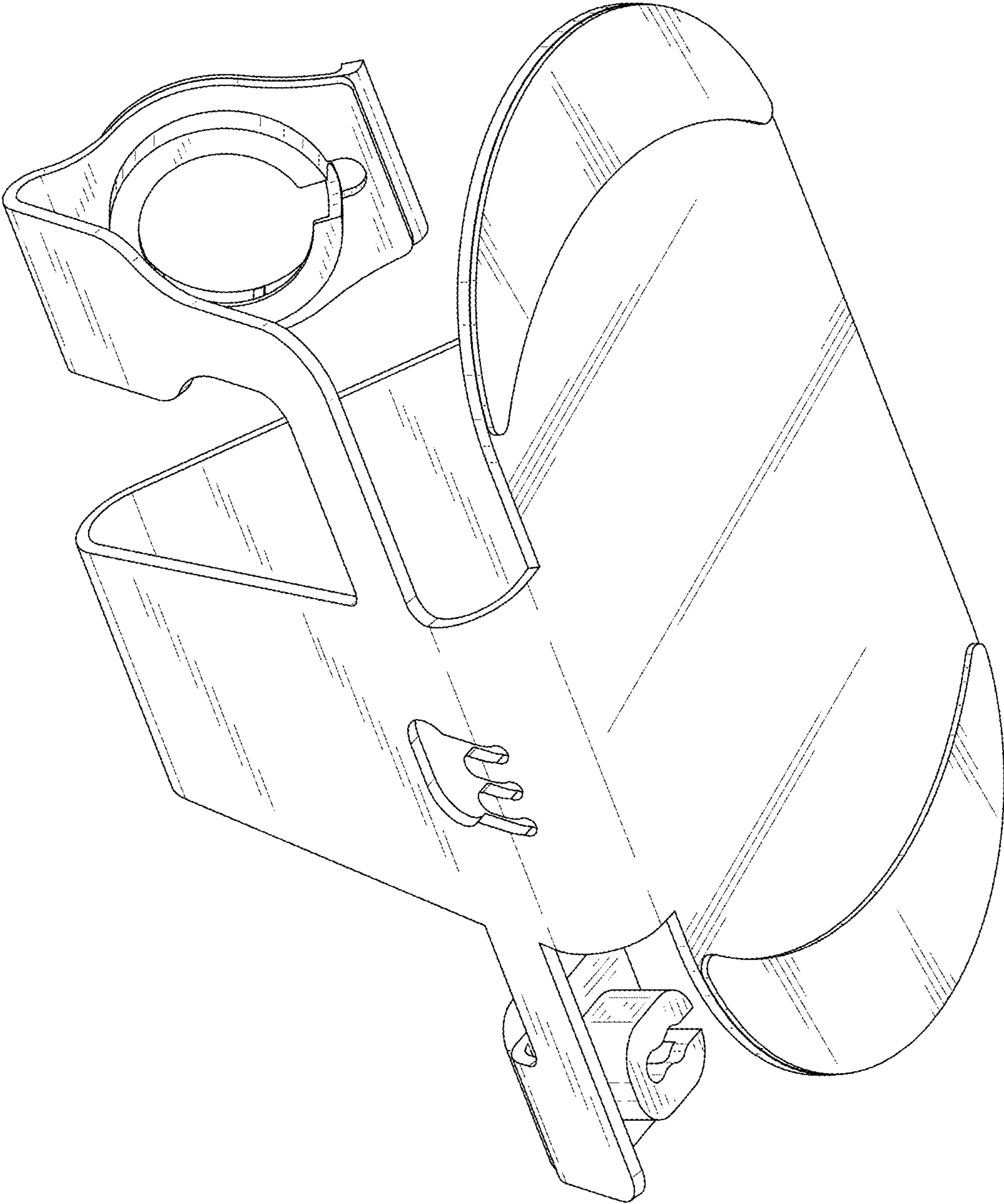


FIG. 2

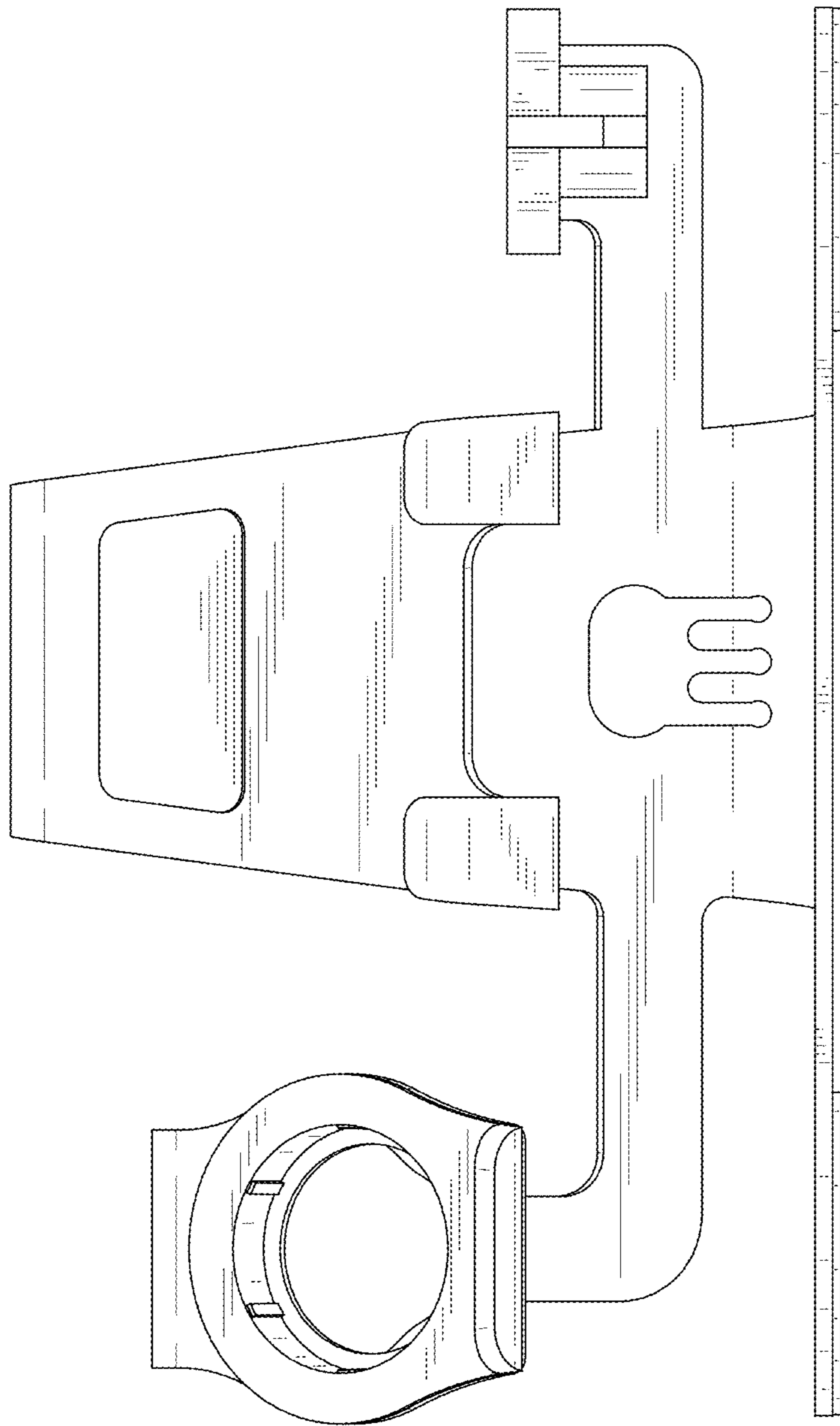


FIG. 3

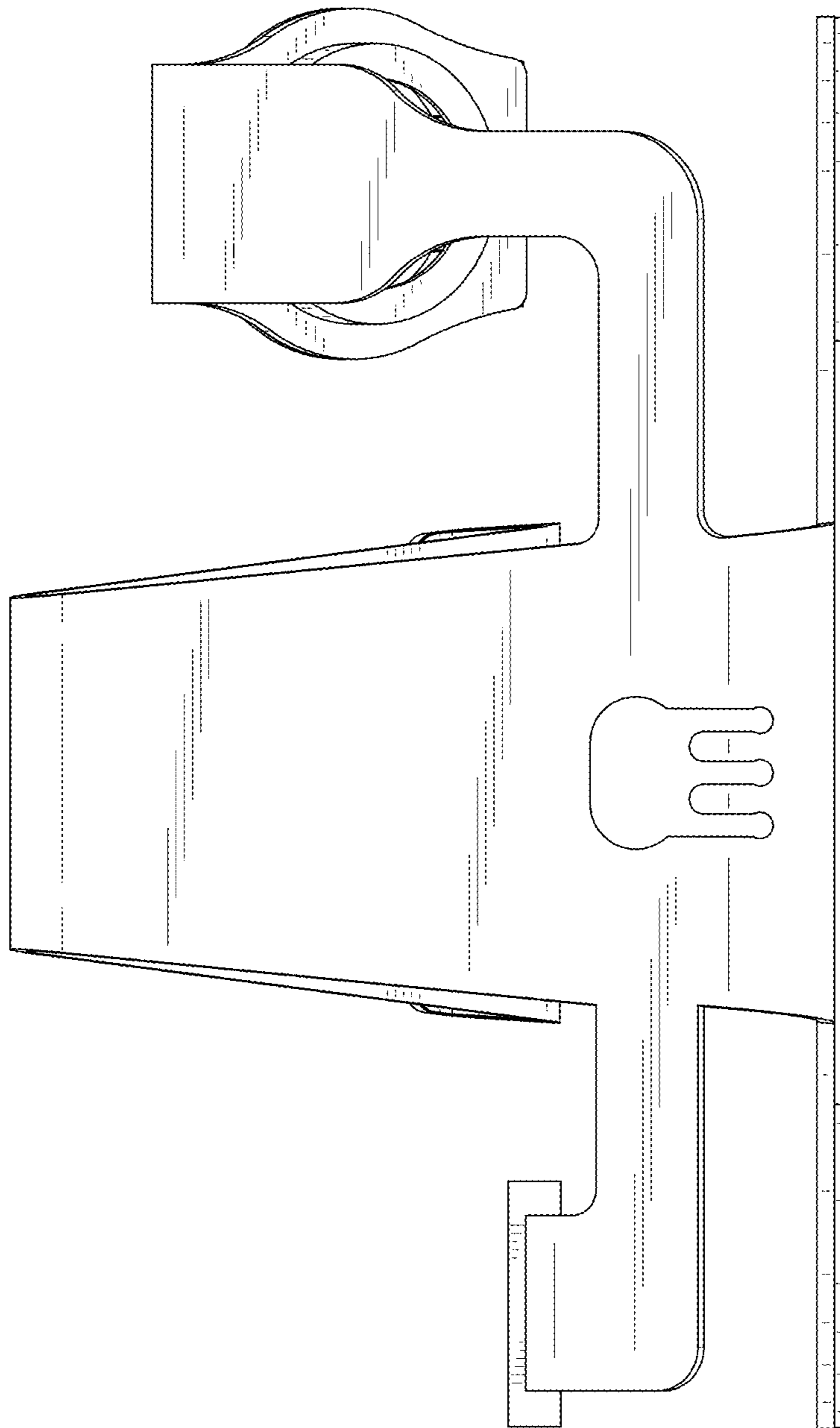


FIG. 4

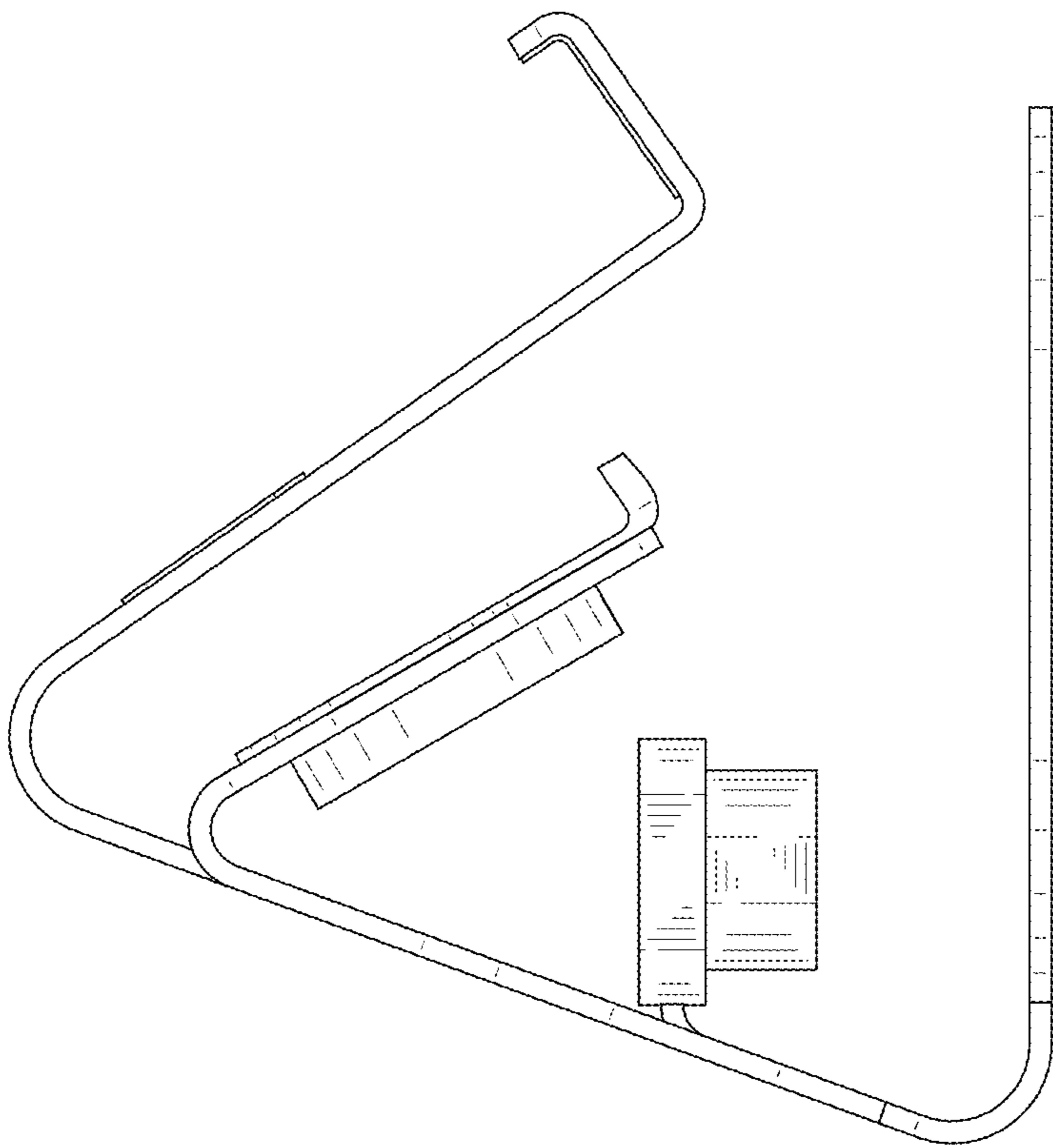


FIG. 5

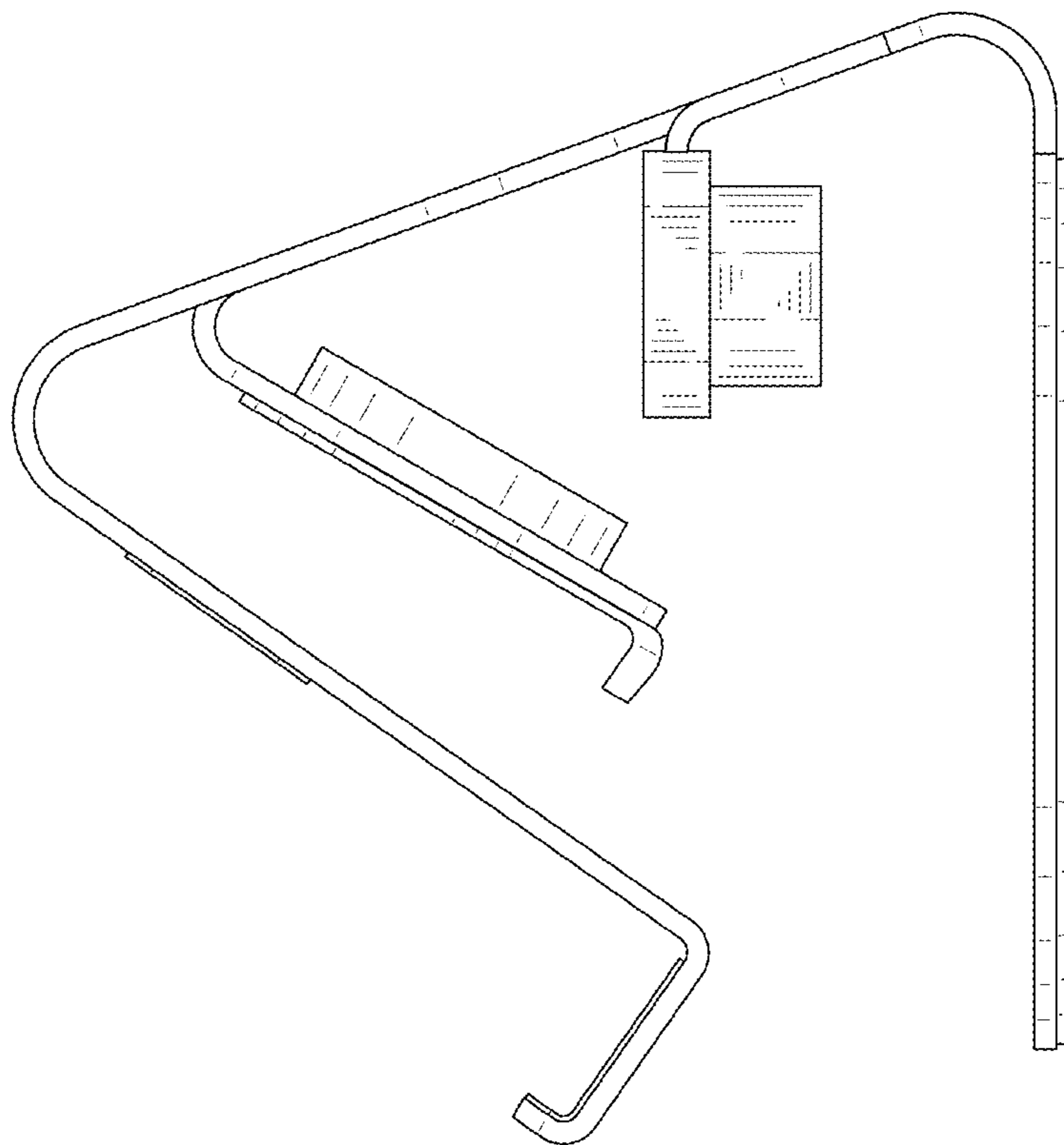


FIG. 6

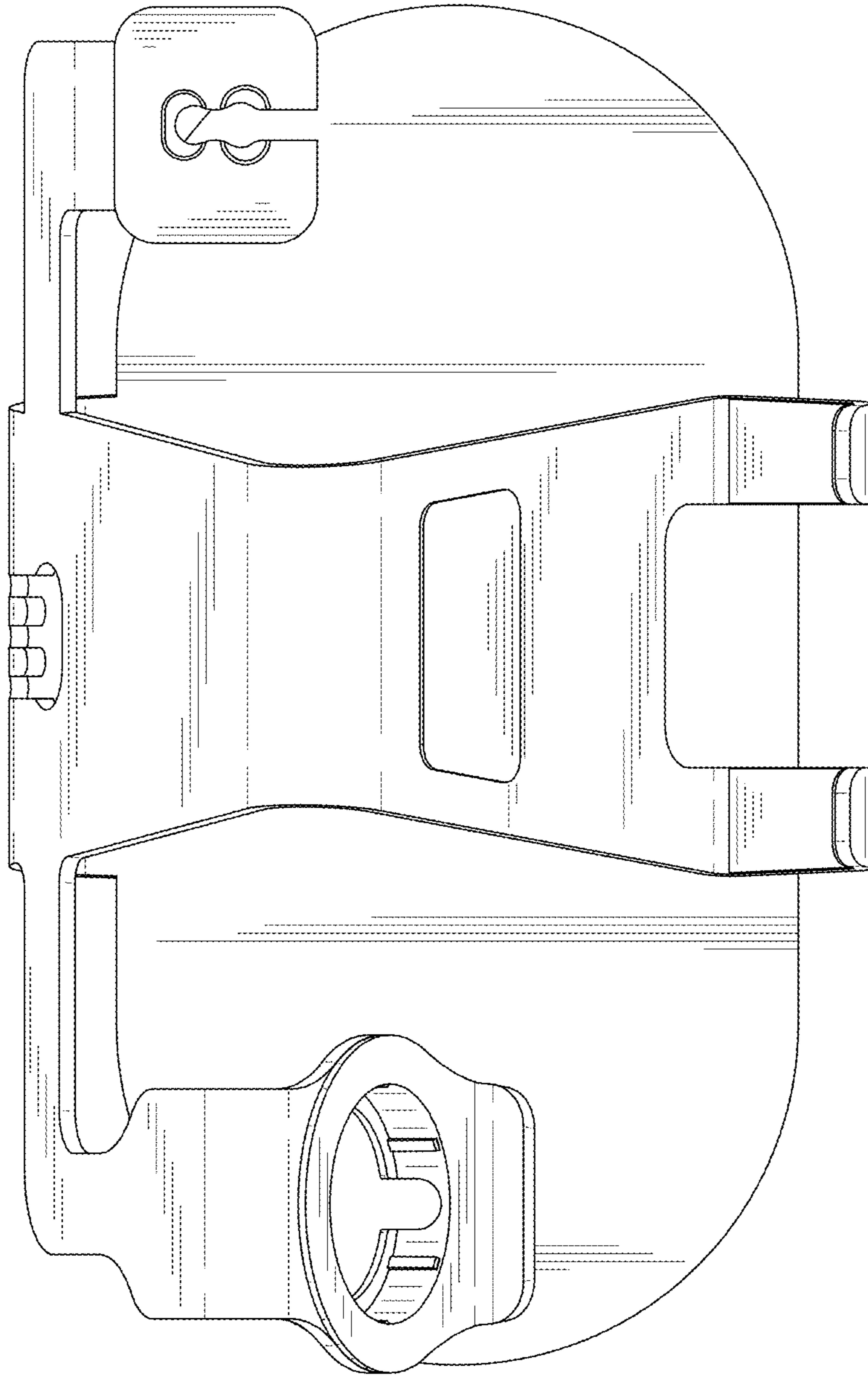


FIG. 7



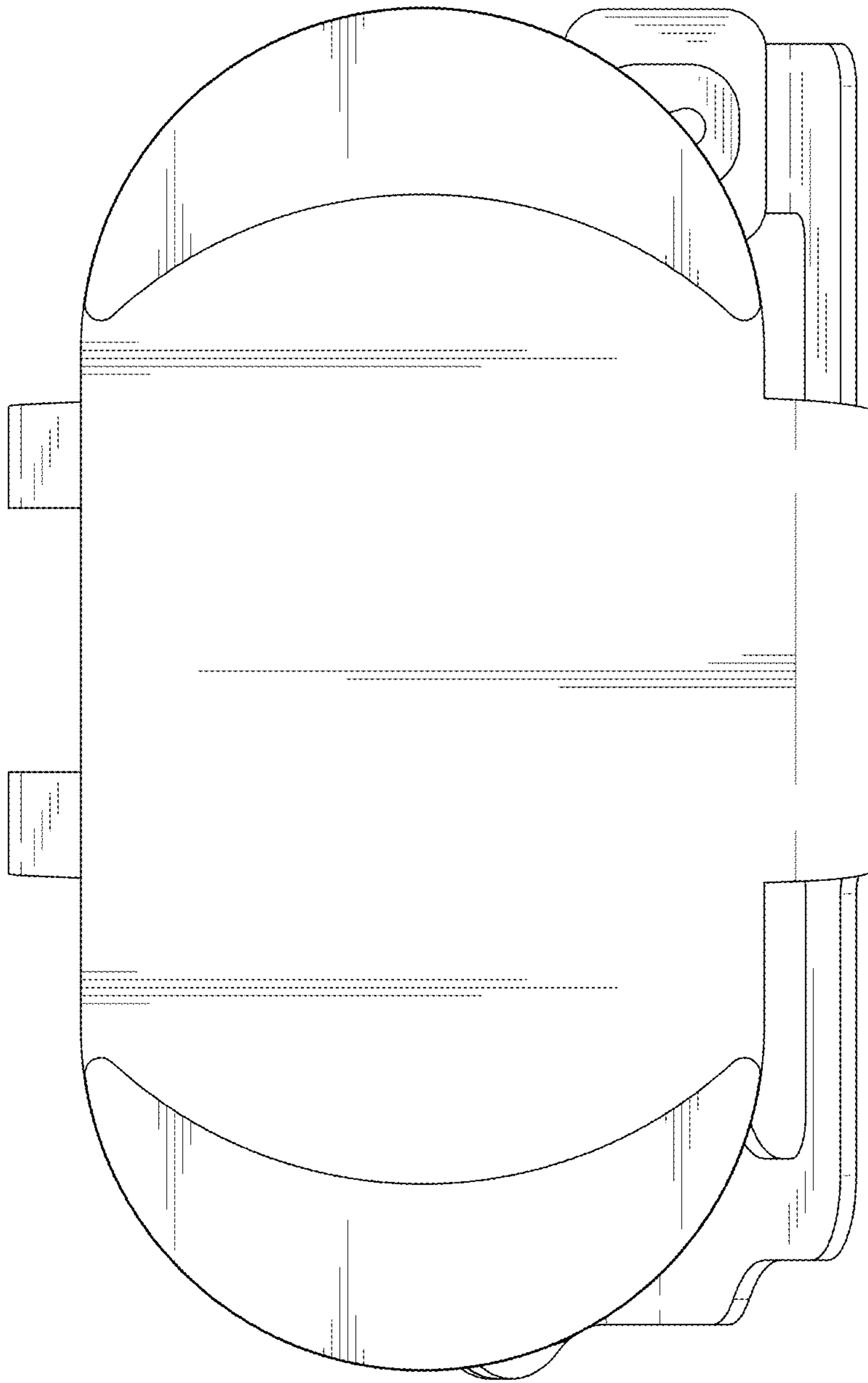


FIG. 8