



US00D919607S

(12) **United States Design Patent** (10) **Patent No.:** **US D919,607 S**
Chen (45) **Date of Patent:** **** May 18, 2021**

(54) **ANTENNA**
(71) Applicant: **Shenzhen Aili Huaxin Technology Co., Ltd.**, Guangdong (CN)
(72) Inventor: **Xiaoqiu Chen**, Jiujiang (CN)
(73) Assignee: **Shenzhen Aili Huaxin Technology Co., Ltd.**, Guangdong (CN)
(**) Term: **15 Years**
(21) Appl. No.: **29/752,582**

D528,537 S * 9/2006 Wang D14/230
D534,825 S * 1/2007 Bitetto D10/132
D595,292 S * 6/2009 Harden D14/240
D777,141 S * 1/2017 Lee D14/218
D782,430 S * 3/2017 Tam D14/125
D808,915 S * 1/2018 Wang D14/125
D821,325 S * 6/2018 Duran D13/124
D833,401 S * 11/2018 Wilcox D13/152
D856,327 S * 8/2019 Huang D14/365
D863,270 S 10/2019 Naweed
D877,723 S 3/2020 Keyrouz et al.
D879,774 S * 3/2020 Pennington, Jr. D14/348
D902,189 S * 11/2020 Yang D14/230
D902,190 S * 11/2020 Yang D14/230
D902,894 S * 11/2020 Yang D14/230

(22) Filed: **Sep. 28, 2020**
(51) **LOC (13) Cl.** **14-03**
(52) **U.S. Cl.**
USPC **D14/230; D14/238**
(58) **Field of Classification Search**
USPC D14/138, 230-238, 299, 358; D12/42, D12/43
CPC H01Q 7/00; H01Q 13/10; H01Q 9/285; H01Q 19/30; H01Q 19/12; H01Q 1/38; H01Q 1/36; H01Q 2/0027; H01Q 1/48; H01Q 9/045; H01Q 1/243; H04B 1/0475; H04B 1/034; H05K 11/00
See application file for complete search history.

* cited by examiner

Primary Examiner — John Windmuller
(74) *Attorney, Agent, or Firm* — ScienBiziP, P.C.

(57) **CLAIM**

The ornamental design for an antenna, as shown and described.

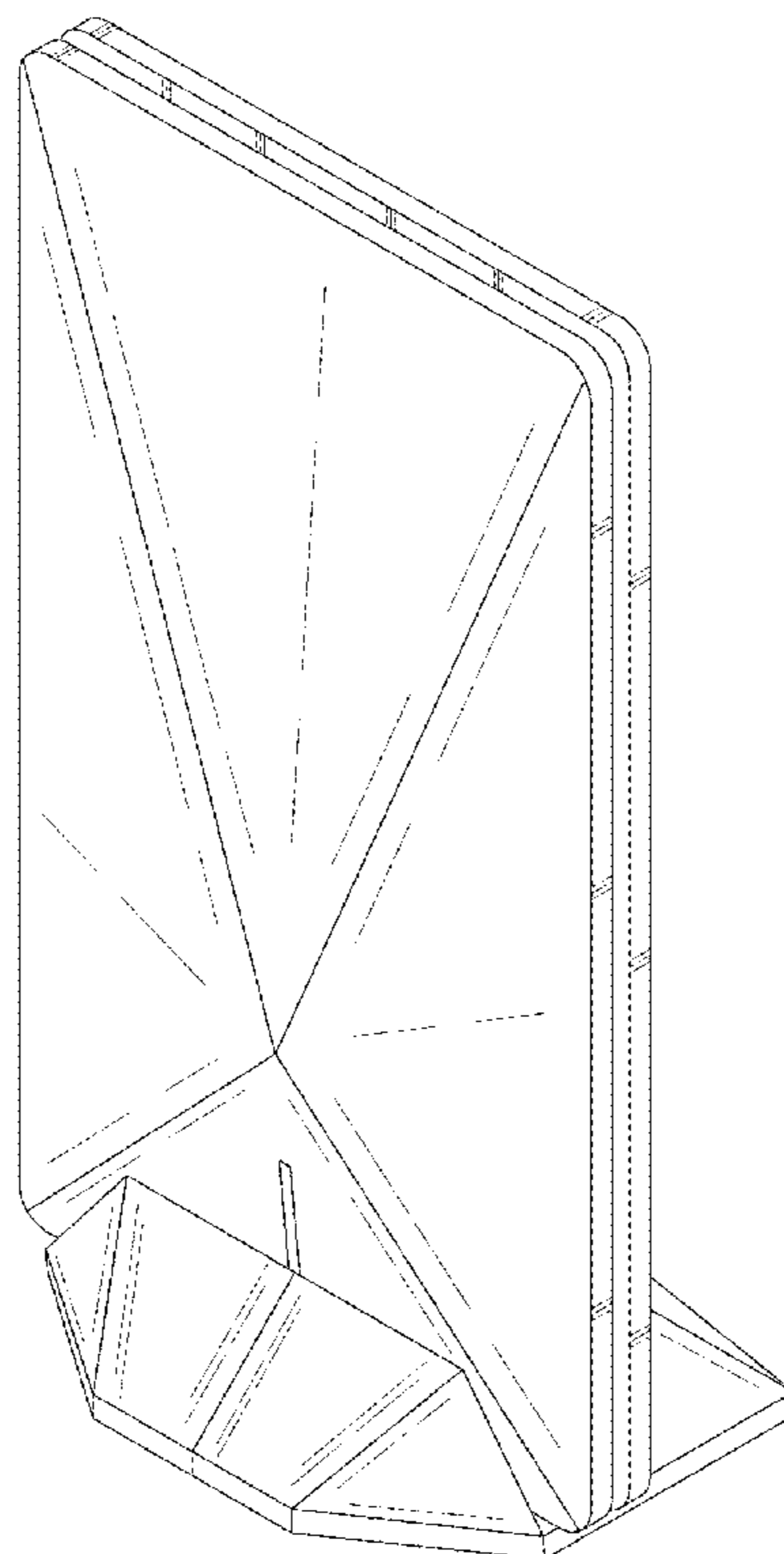
DESCRIPTION

FIG. 1 is a front perspective view of an antenna, showing my design.
FIG. 2 is a front elevation view thereof.
FIG. 3 is a rear elevation view thereof.
FIG. 4 is a left side elevation thereof.
FIG. 5 is a right side elevation thereof.
FIG. 6 is a top plan view thereof; and,
FIG. 7 is a bottom plan view thereof.

(56) **References Cited**
U.S. PATENT DOCUMENTS

D318,673 S * 7/1991 Terk D14/230
D333,470 S * 2/1993 Vong D14/230
D376,367 S * 12/1996 Mailandt D14/230
D398,611 S * 9/1998 Read D14/230

1 Claim, 7 Drawing Sheets



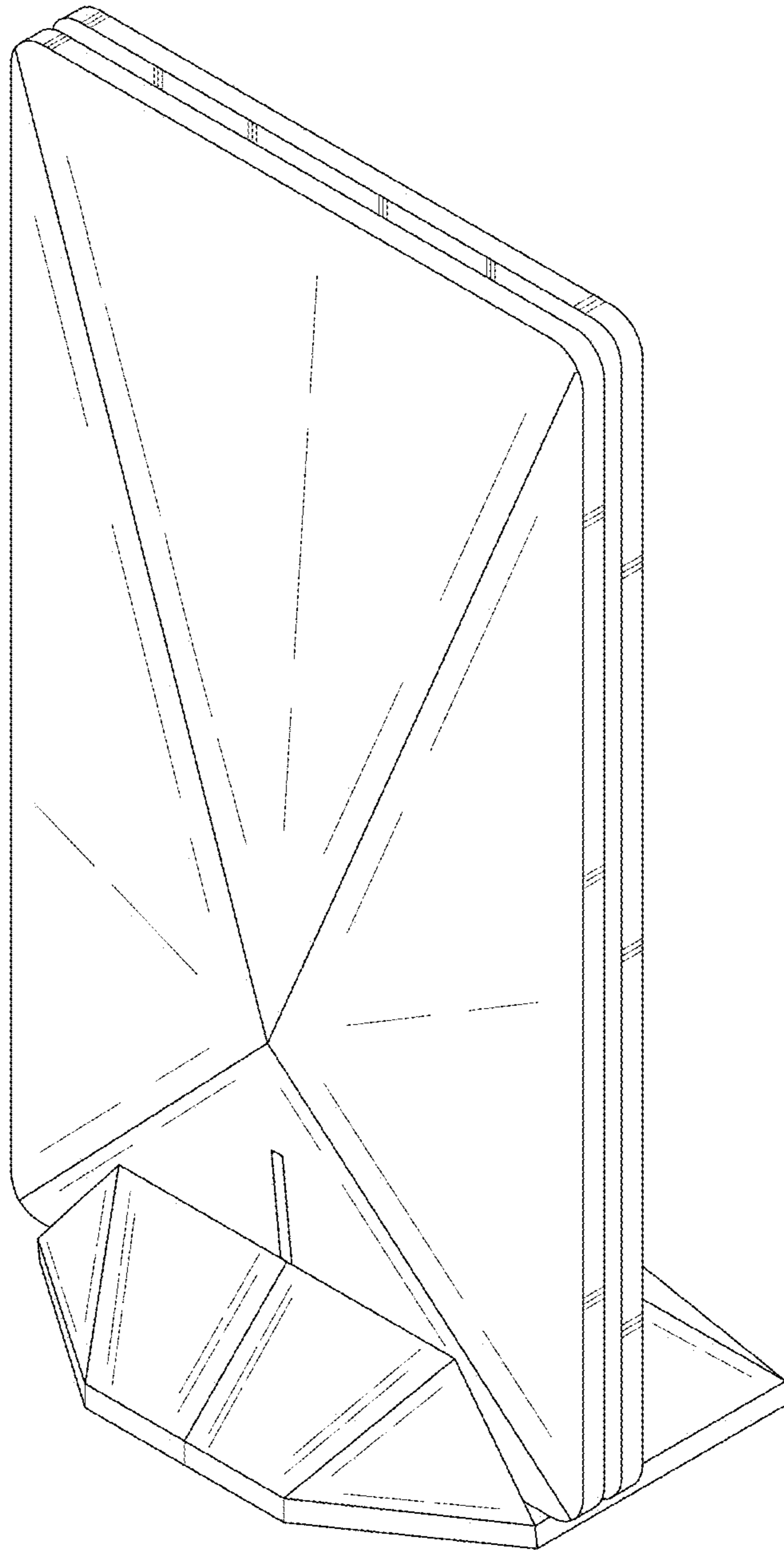


FIG. 1

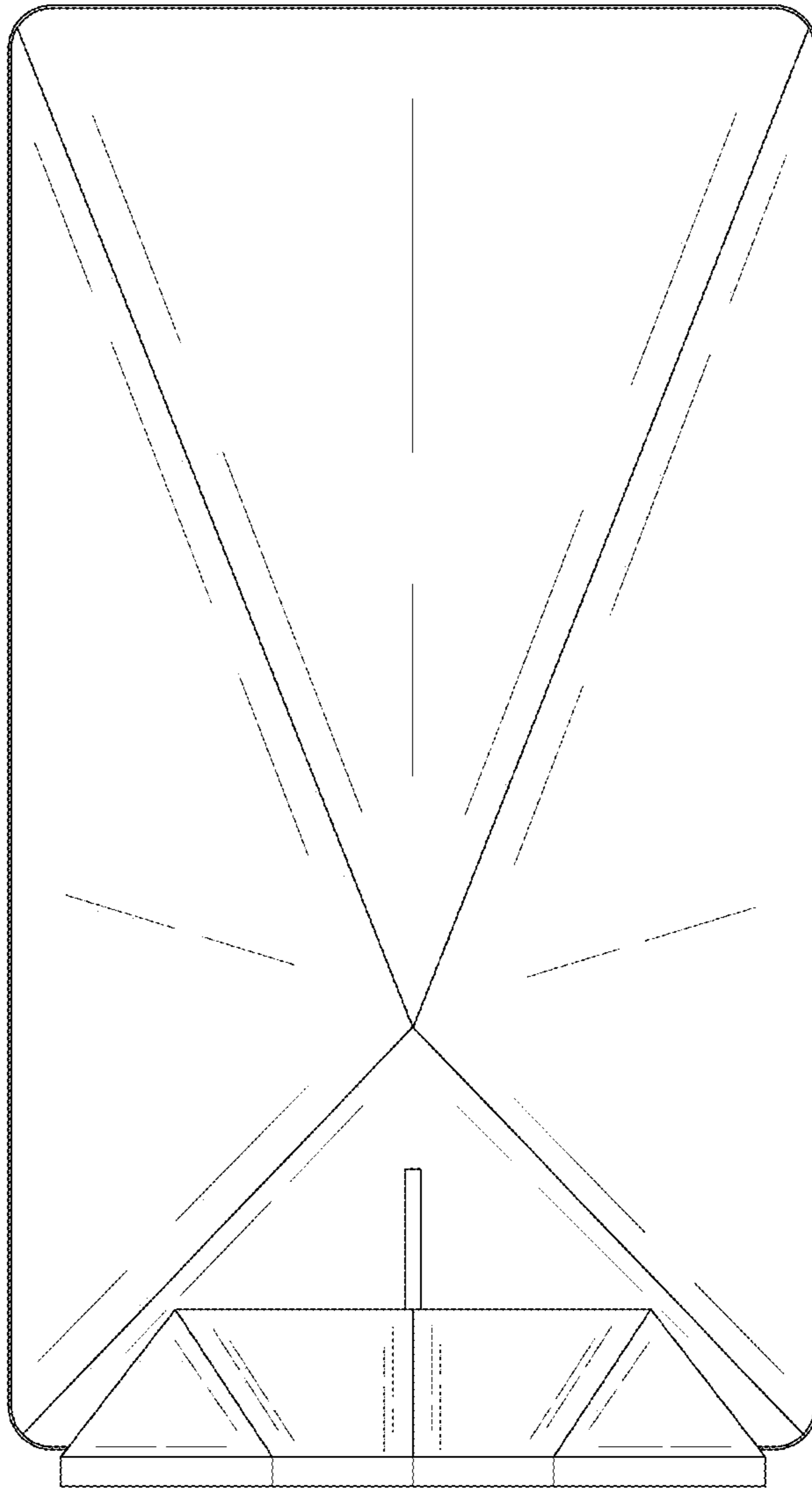


FIG.2

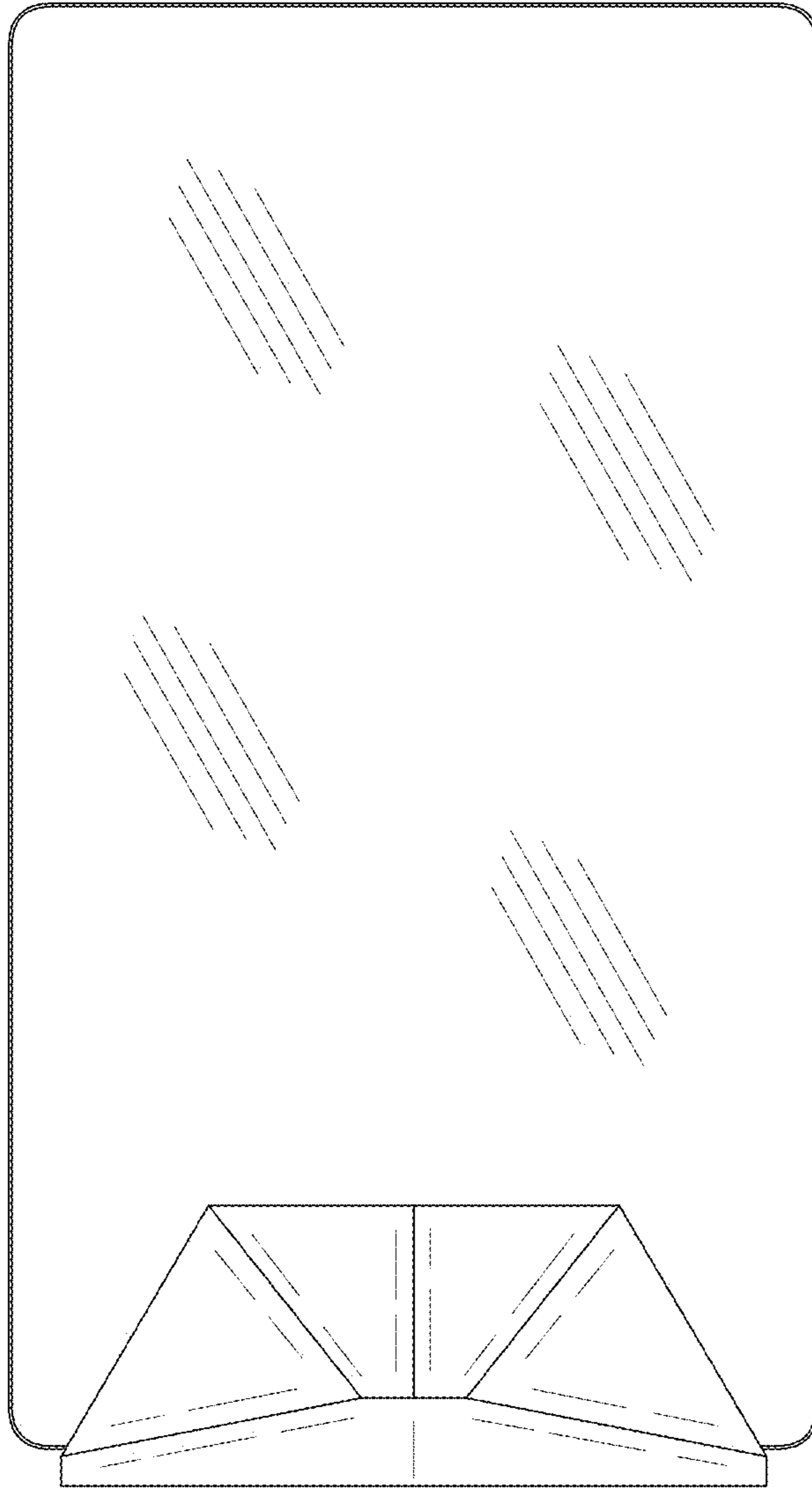


FIG.3

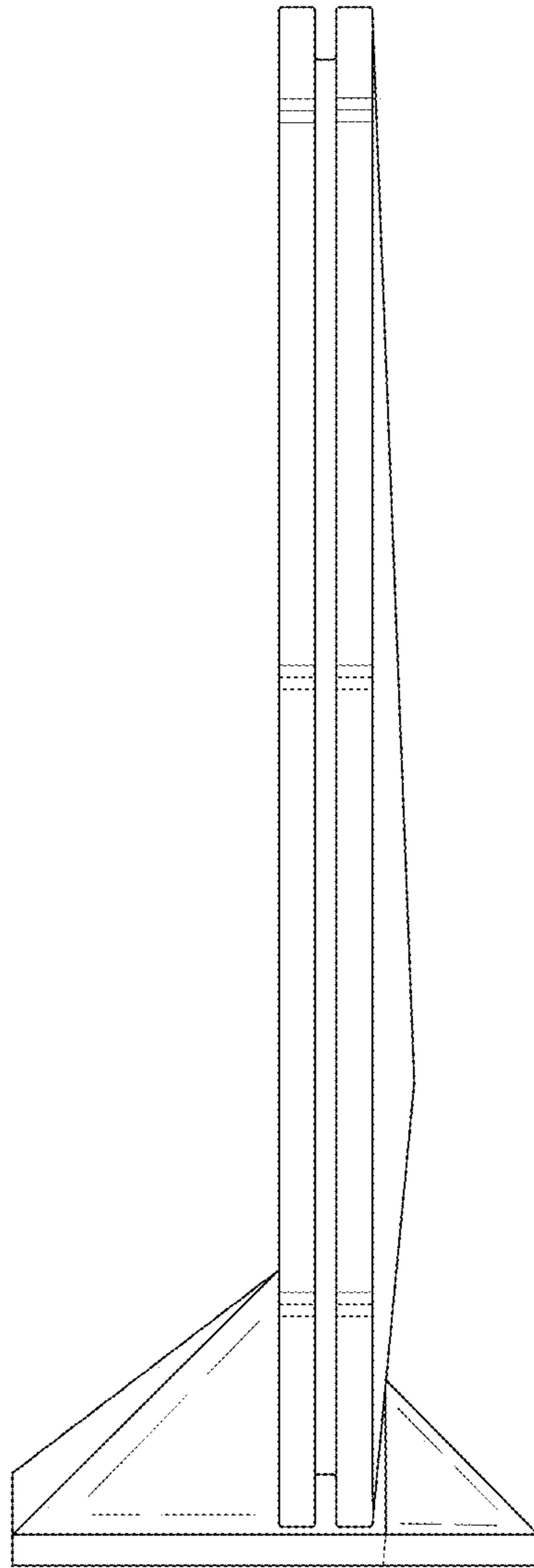


FIG.4

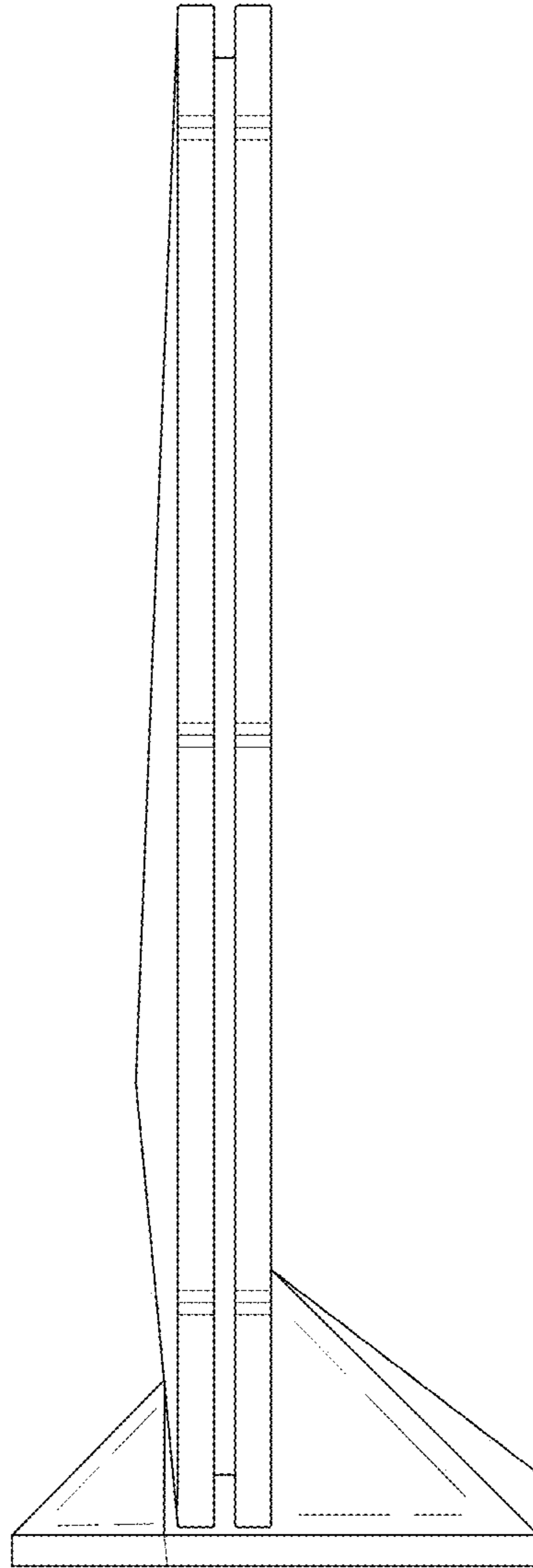


FIG.5

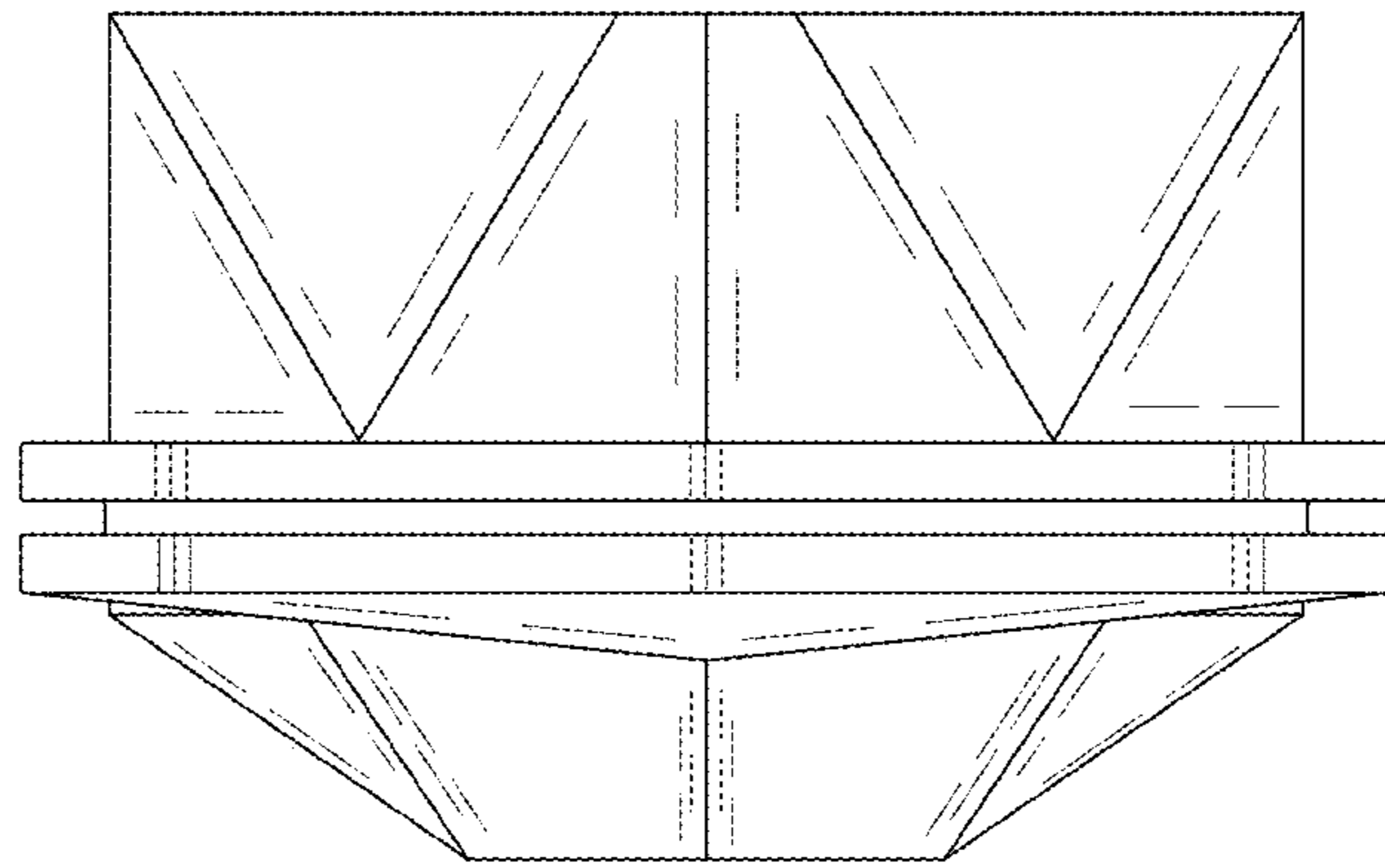


FIG.6

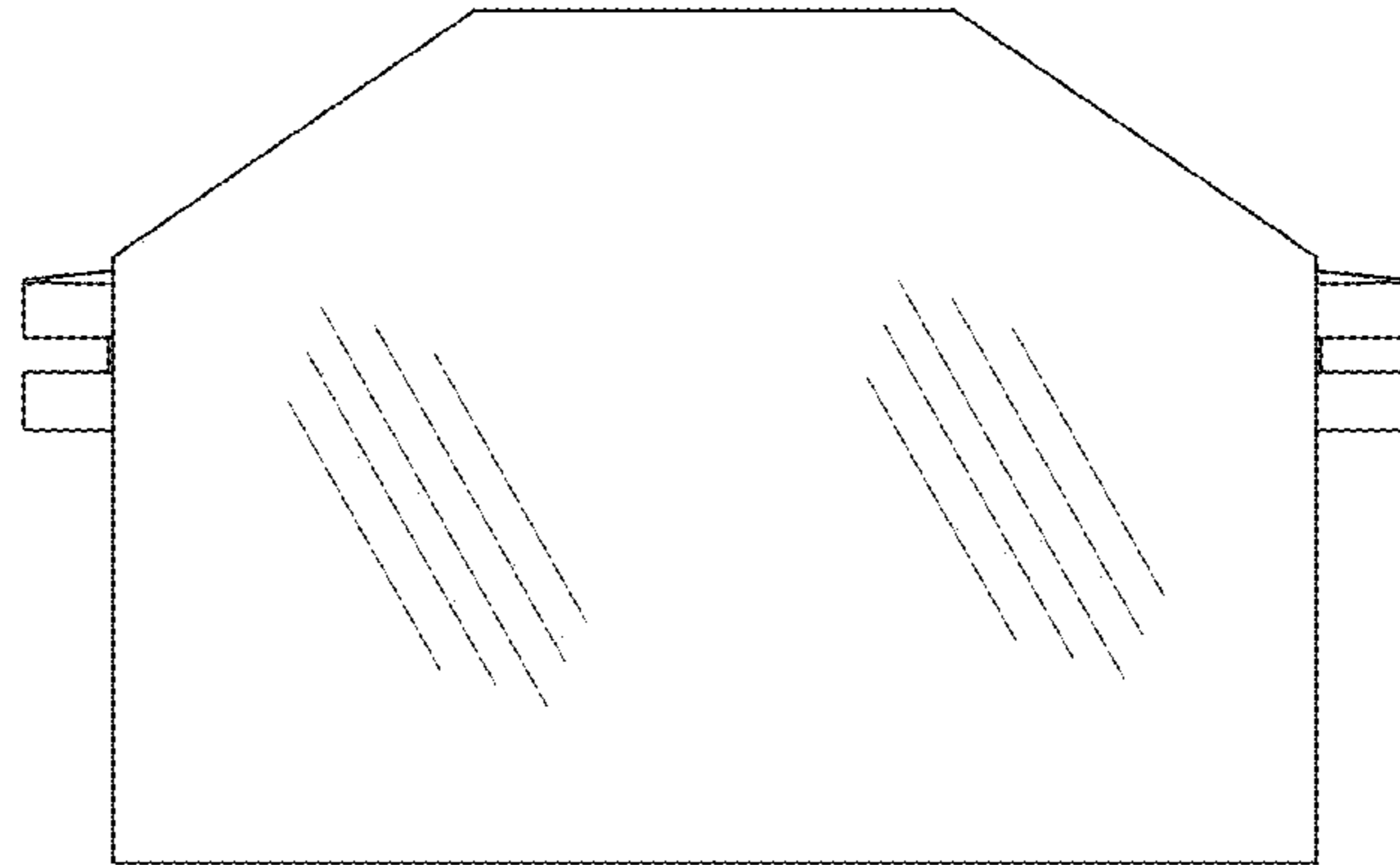


FIG.7