



US00D919604S

(12) **United States Design Patent**
Mai

(10) **Patent No.:** **US D919,604 S**

(45) **Date of Patent:** **** May 18, 2021**

(54) **MICROPHONE**

10,405,104 B1 * 9/2019 Abel H04R 19/04
D890,141 S * 7/2020 Chen D14/228
D890,732 S * 7/2020 Chen D14/227

(71) Applicant: **SHENZHEN XUNWEIJIA TECHNOLOGY DEVELOPMENT CO., LTD.**, Shenzhen (CN)

(72) Inventor: **Qibin Mai**, Shenzhen (CN)

(73) Assignee: **SHENZHEN XUNWEIJIA TECHNOLOGY DEVELOPMENT CO., LTD.**, Shenzhen (CN)

(**) Term: **15 Years**

(21) Appl. No.: **29/707,356**

(22) Filed: **Sep. 27, 2019**

(51) **LOC (13) Cl.** **14-01**

(52) **U.S. Cl.**
USPC **D14/227**

(58) **Field of Classification Search**
USPC D14/221, 224, 225, 226, 227, 228, 229,
D14/150, 154, 155, 158, 160, 172
CPC H04R 19/04; H04R 19/00; H04R 1/406;
H04R 1/08; H04R 1/04; H04R 1/326;
H04R 29/004; H04R 2410/00; H04R
2410/01; H04R 2410/03; H04R 2410/05;
H04R 2410/07; H04R 2420/07; H04R
17/02

See application file for complete search history.

(56) **References Cited**

U.S. PATENT DOCUMENTS

D834,004 S * 11/2018 Chen D14/226
D834,564 S * 11/2018 Chen D14/226
D848,404 S * 5/2019 Chen D14/227
D849,721 S * 5/2019 Chen D14/227
D850,423 S * 6/2019 Chen D14/227
D851,073 S * 6/2019 Tong D14/227

OTHER PUBLICATIONS

FIFINE USB Podcast Microphone, announced Mar. 14, 2020 [online], retrieved Aug. 26, 2020, retrieved from internet, <https://www.amazon.com/FIFINE-Microphone-Recording-PS4-Headphone-K678/dp/B085WRN1VD>.*

Movo UM700 Desktop USB Microphone, announced Nov. 21, 2019 [online], retrieved Aug. 26, 2020, retrieved from internet, https://www.amazon.com/Movo-UM700-Microphone-Adjustable-Streaming/dp/B081TR5D9M/ref=rtpb_39?_encoding=UTF8&pd_rd_i=B081TR5D9M&pd_rd_r=8c913a08-5030-42a9-94a9-b873767ce581&pd_rd_w=4BWCh&pd_rd_w_.*

* cited by examiner

Primary Examiner — Dana K Weiland

Assistant Examiner — Messina L Smith

(74) *Attorney, Agent, or Firm* — Law Offices of Steven W. Weinrieb

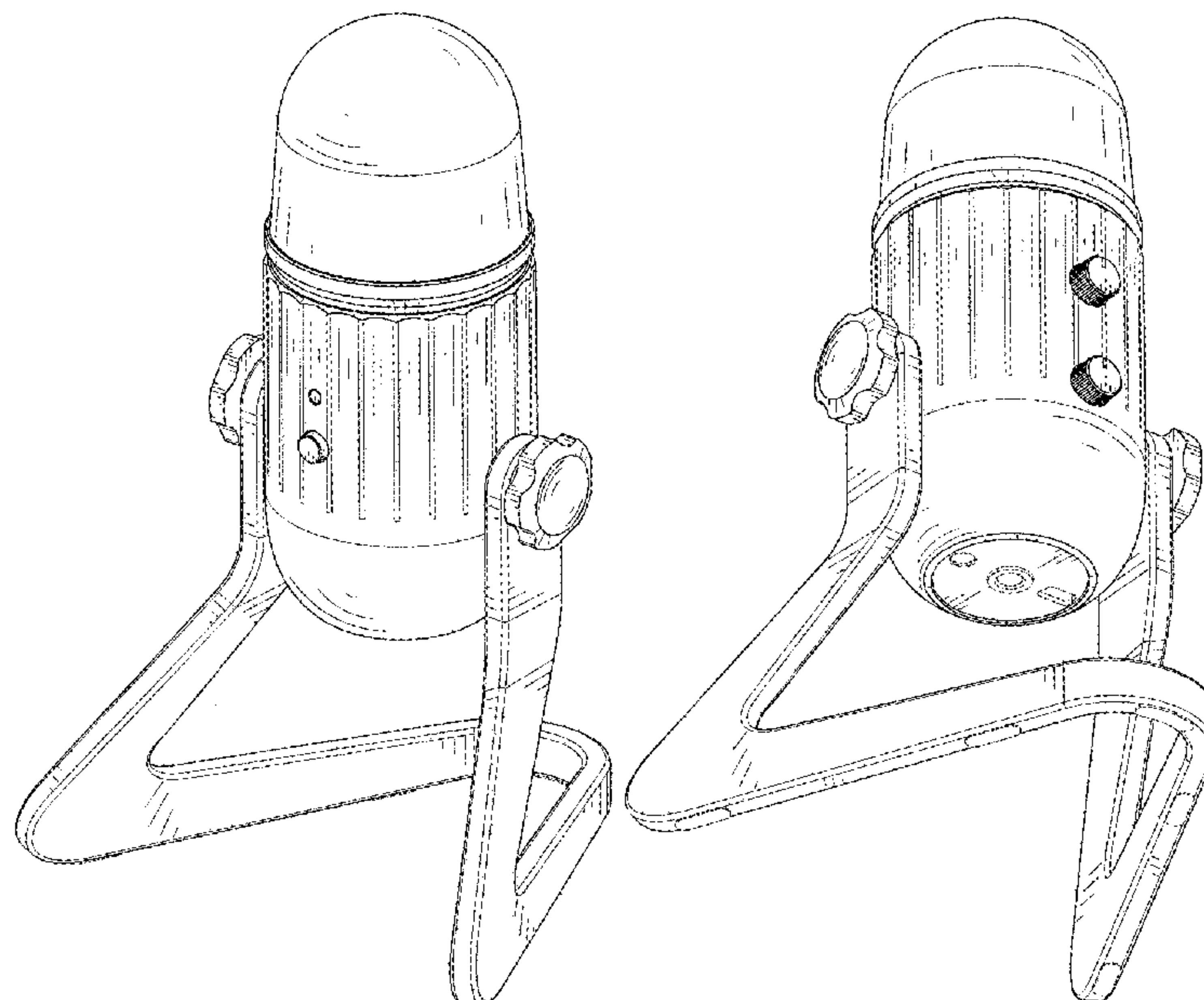
(57) **CLAIM**

The ornamental design for a microphone, as shown and described.

DESCRIPTION

FIG. 1 is a front, right side, top perspective view of a microphone showing my new design; FIG. 2 is a rear, left side, bottom perspective view thereof; FIG. 3 is a front elevational view thereof; FIG. 4 is a rear elevational view thereof; FIG. 5 is a left side elevational view thereof; FIG. 6 is a right side elevational view thereof; FIG. 7 is a top plan view thereof; and, FIG. 8 is a bottom plan view thereof. The broken lines in the drawings depict portions of the microphone that form no part of the claimed design.

1 Claim, 8 Drawing Sheets



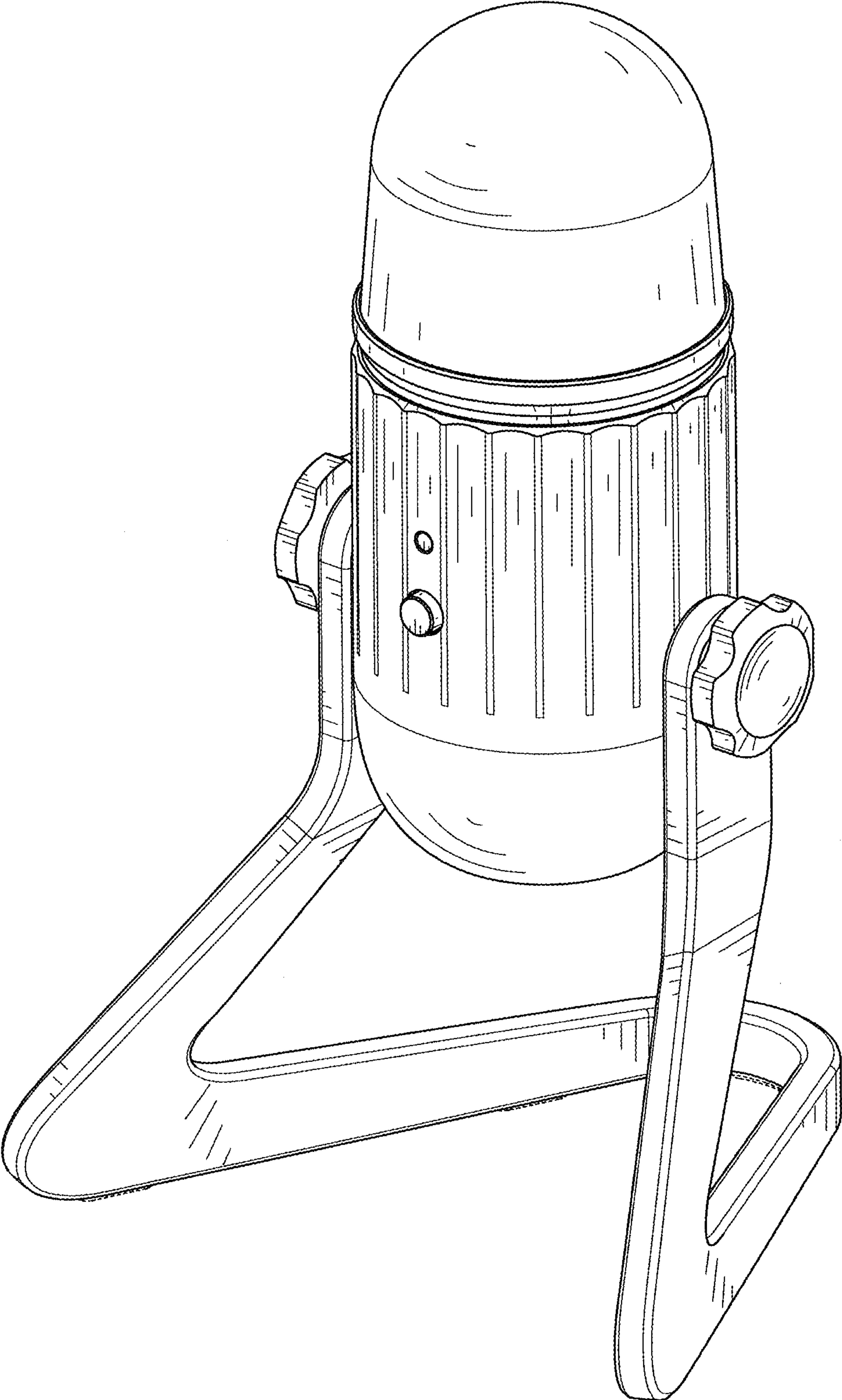


FIG. 1

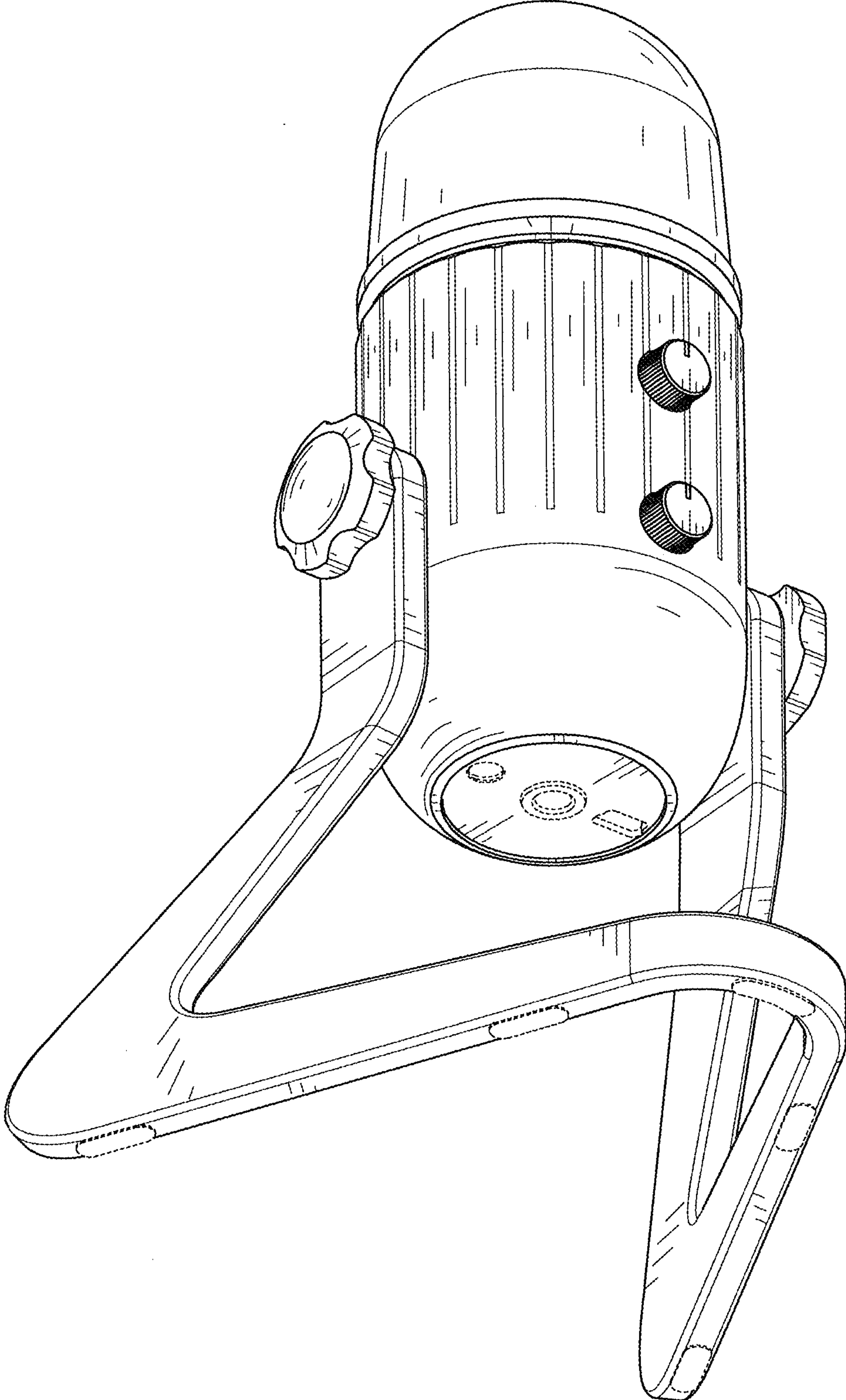


FIG. 2

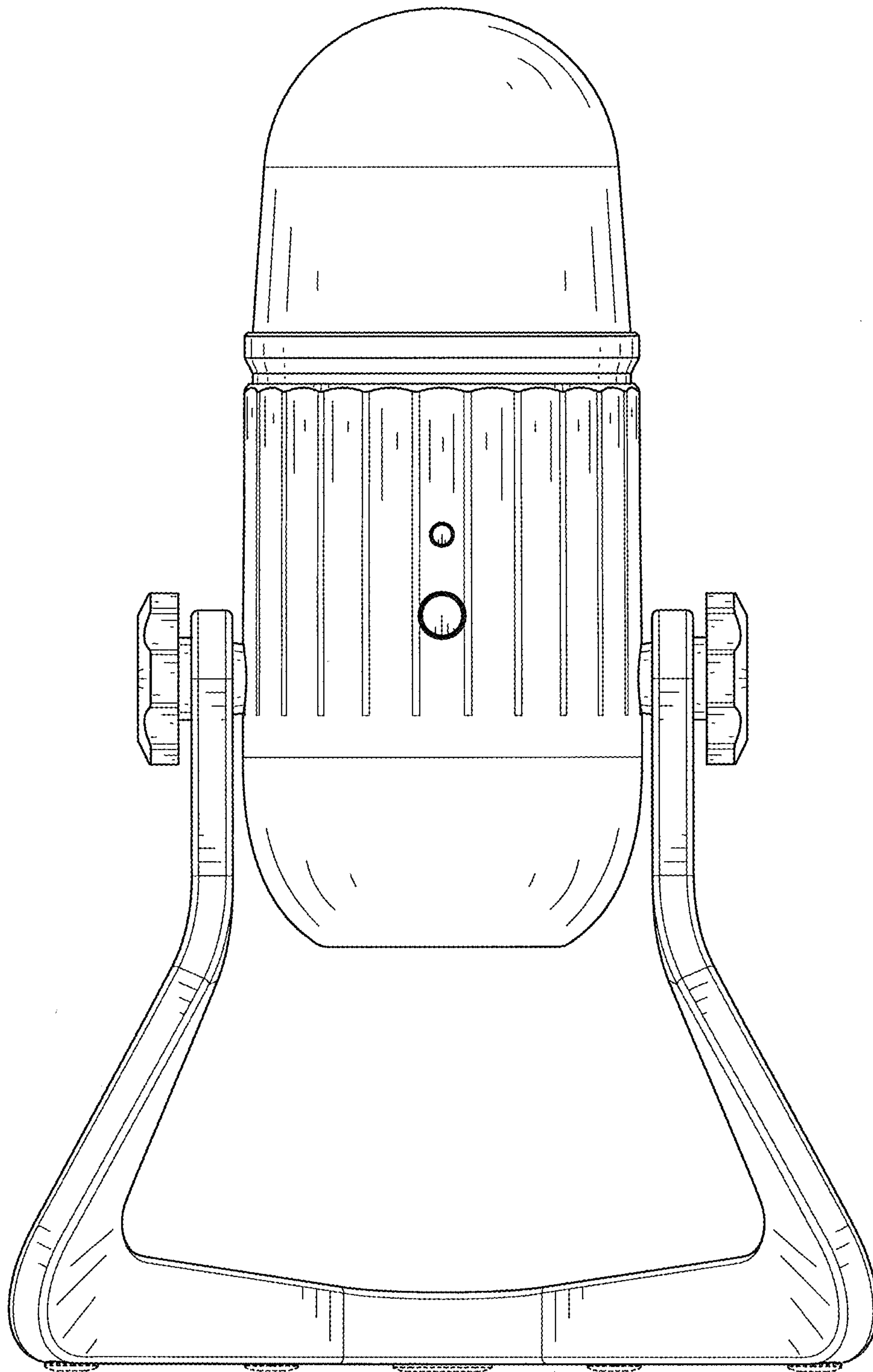


FIG. 3

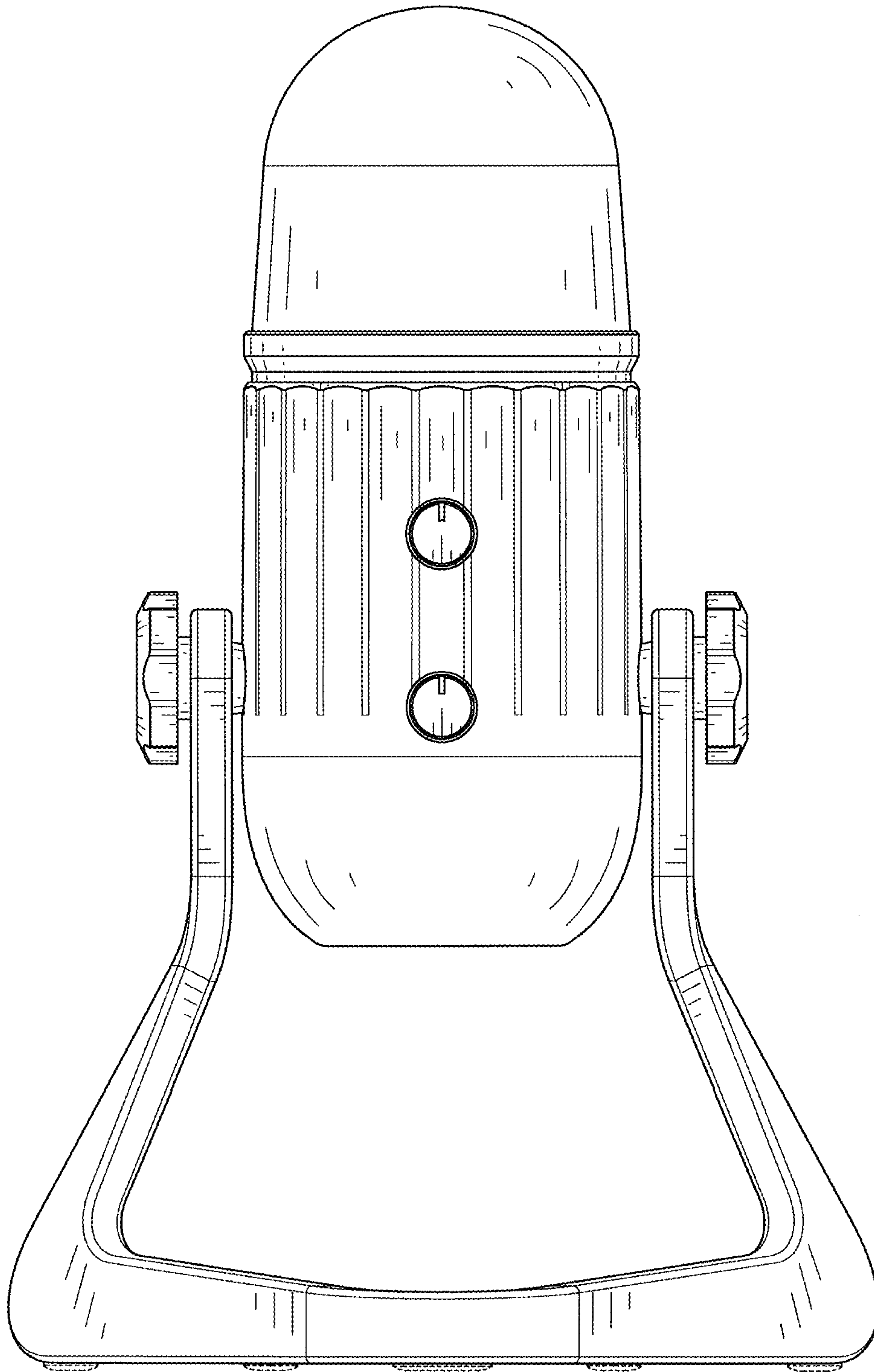


FIG. 4

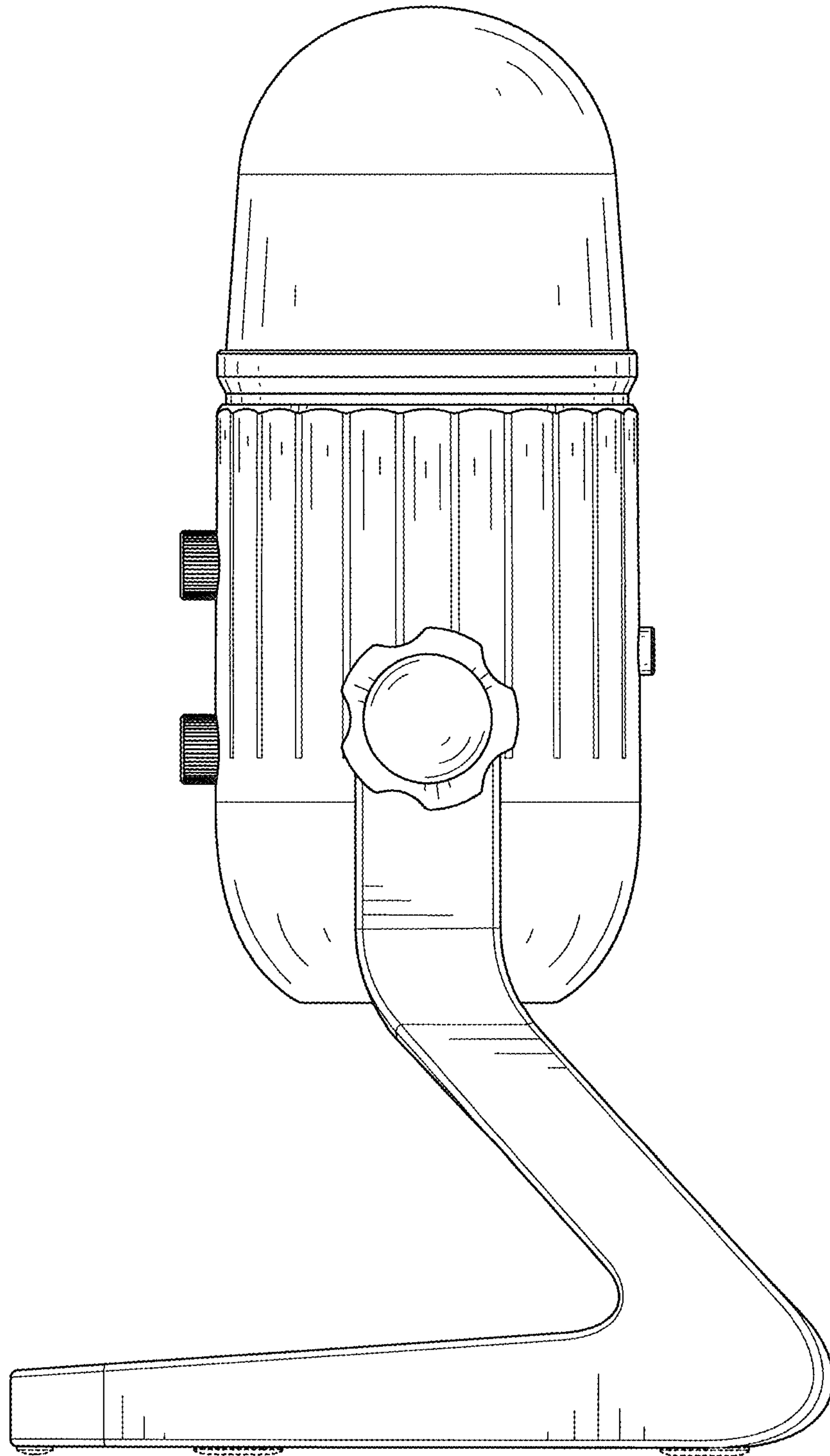


FIG. 5

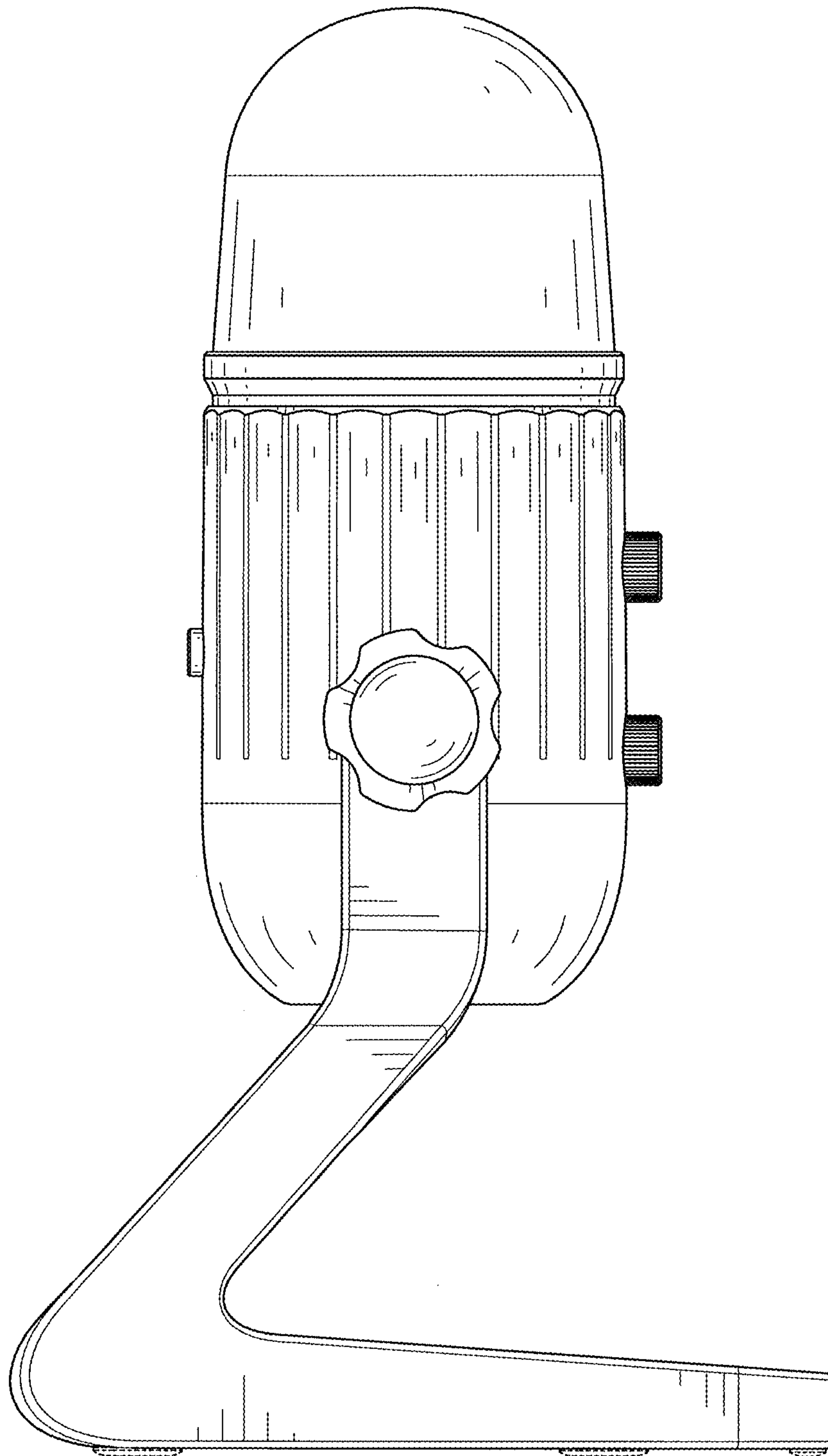


FIG. 6

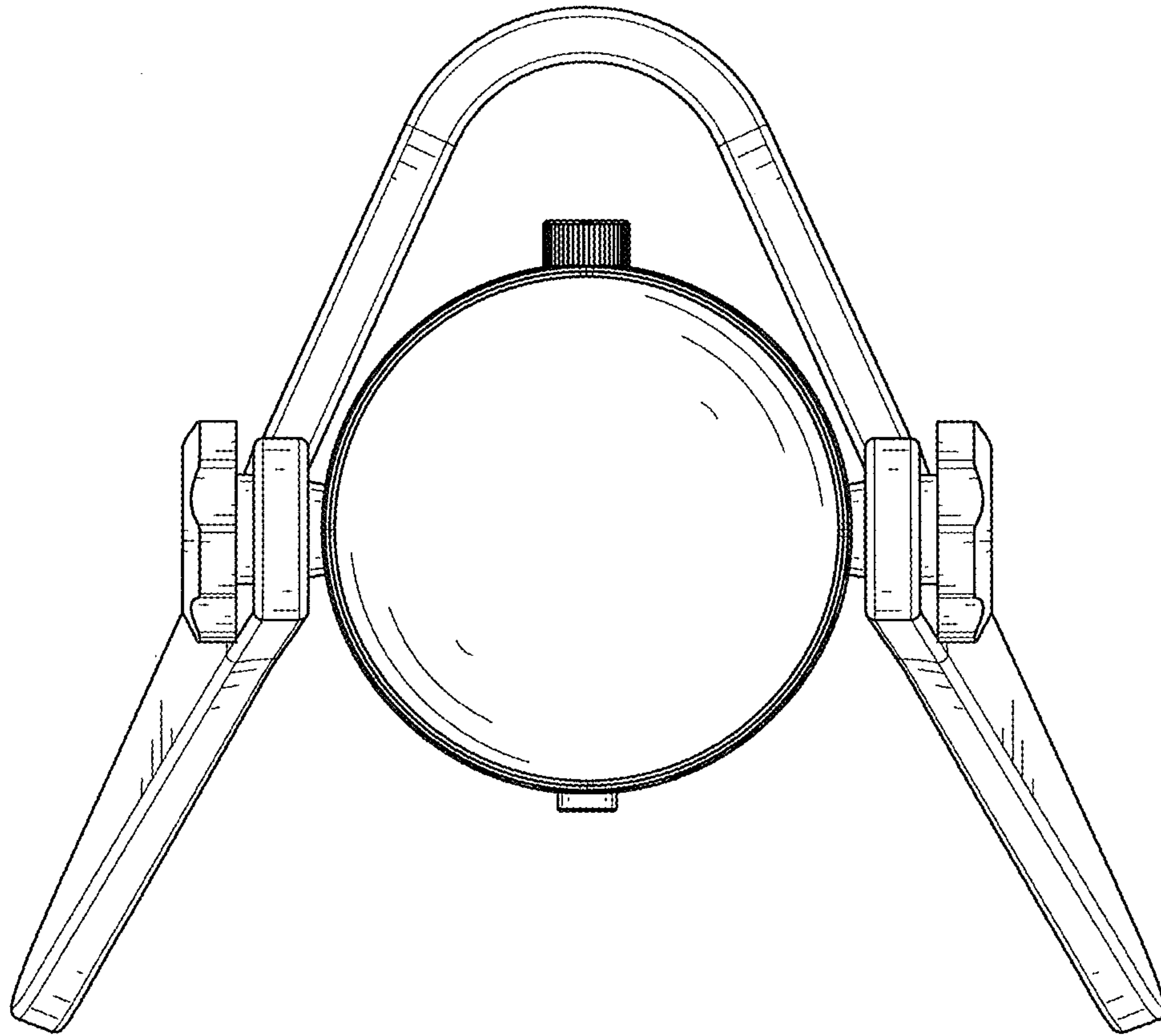


FIG. 7

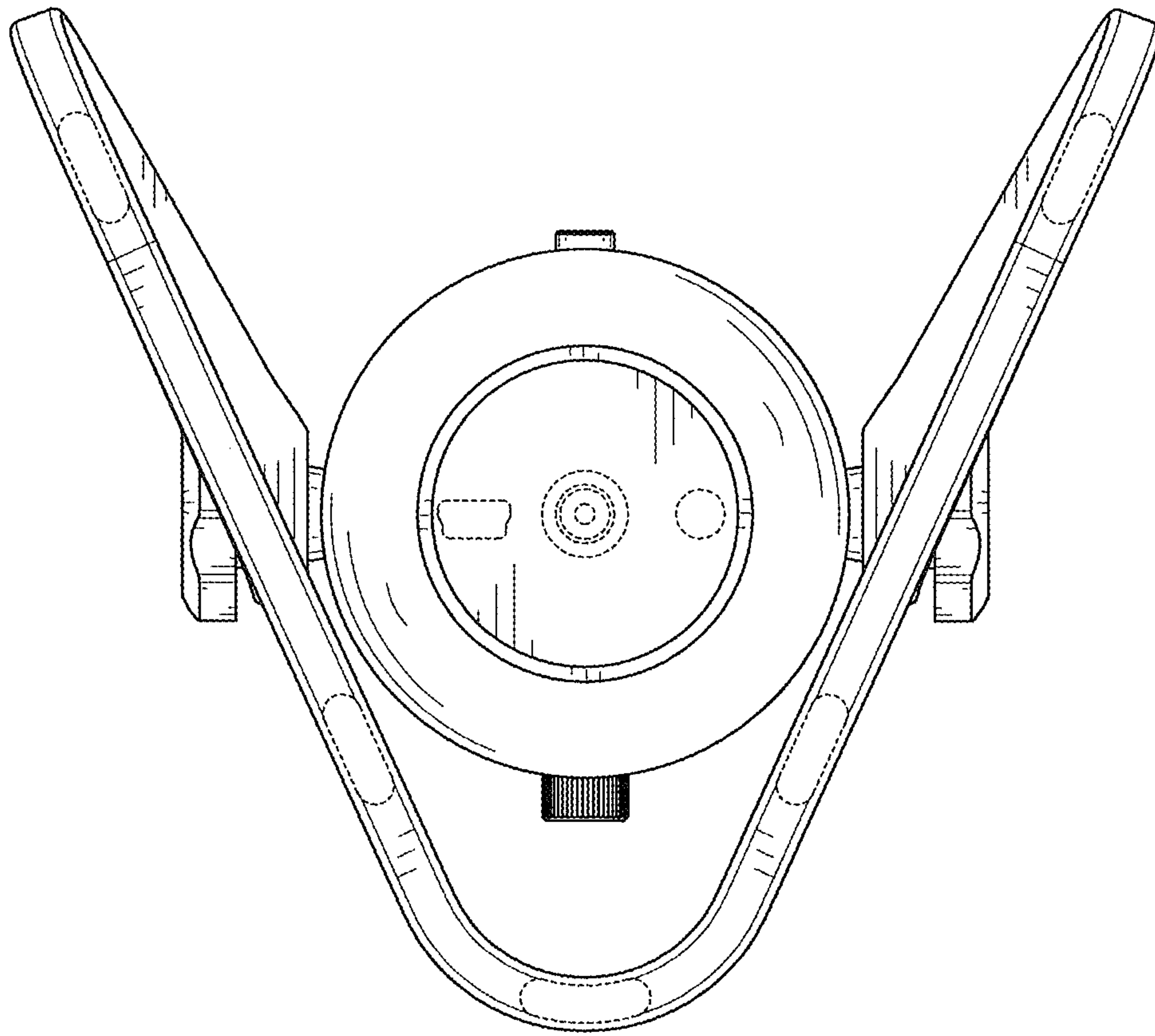


FIG. 8