



US00D919603S

(12) **United States Design Patent**
Xia

(10) **Patent No.:** **US D919,603 S**

(45) **Date of Patent:** **** May 18, 2021**

(54) **HEADPHONE**

(71) Applicant: **Shenzhen Jiuhu Technology Co., Limited**, Shenzhen (CN)

(72) Inventor: **Ji Xia**, Shenzhen (CN)

(**) Term: **15 Years**

(21) Appl. No.: **29/697,984**

(22) Filed: **Jul. 12, 2019**

(30) **Foreign Application Priority Data**

Mar. 14, 2019 (CN) 201930103458.3

(51) **LOC (13) Cl.** **14-01**

(52) **U.S. Cl.**
USPC **D14/223**

(58) **Field of Classification Search**
USPC D14/223, 205, 206; D24/174; 128/864,
128/865, 866; 181/129, 130, 135;
379/430, 431; 381/380, 381, 322-324,
381/330; 455/90.3, 575, 1, 569.1
CPC H04R 1/10; H04R 25/00; H04R 1/1016;
H04R 1/1066; H04R 5/033; H04R
5/0335; H04R 1/1091; H04R 1/1058;
H04R 1/105; H04R 1/1083

See application file for complete search history.

(56) **References Cited**

U.S. PATENT DOCUMENTS

D800,691 S * 10/2017 Ando D14/205
D828,326 S * 9/2018 Ye D14/205

D837,764 S * 1/2019 Xiao D14/205
D858,483 S * 9/2019 Hu D14/205
D859,354 S * 9/2019 Xia D14/205
D879,065 S * 3/2020 Chan D14/205
D879,066 S * 3/2020 Chen D14/205
D881,842 S * 4/2020 Hu D14/205
D883,949 S * 5/2020 Hu D14/205
D894,867 S * 9/2020 Choe D14/205
2010/0310093 A1 * 12/2010 Semcken H04R 1/1058
381/104
2011/0206216 A1 * 8/2011 Brunner H04R 1/1066
381/74
2015/0271596 A1 * 9/2015 Chen H04R 3/00
381/74

* cited by examiner

Primary Examiner — Katie Jane Stofko

(57) **CLAIM**

The ornamental design for a headphone, as shown and described.

DESCRIPTION

FIG. 1 is a Front elevational view of a headphone showing my new design;
FIG. 2 is a Rear elevational view thereof;
FIG. 3 is a Left side view thereof;
FIG. 4 is a Right side view thereof;
FIG. 5 is a Top plan view thereof;
FIG. 6 is a Bottom plan view thereof; and,
FIG. 7 is a front, right perspective view thereof.
The broken lines in the drawings depict portions of the headphone that form no part of the claimed design.

1 Claim, 7 Drawing Sheets

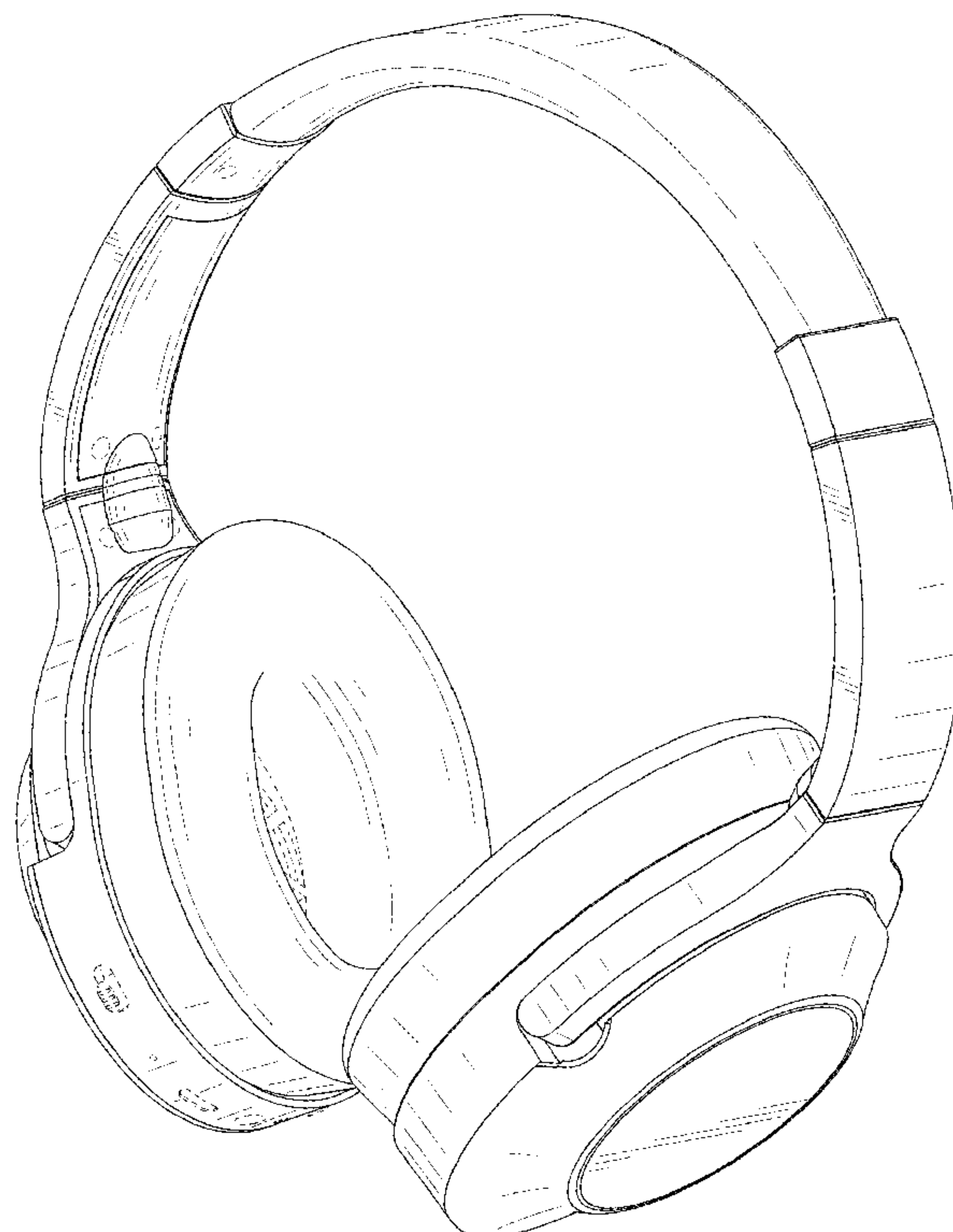




FIG. 1



FIG. 2

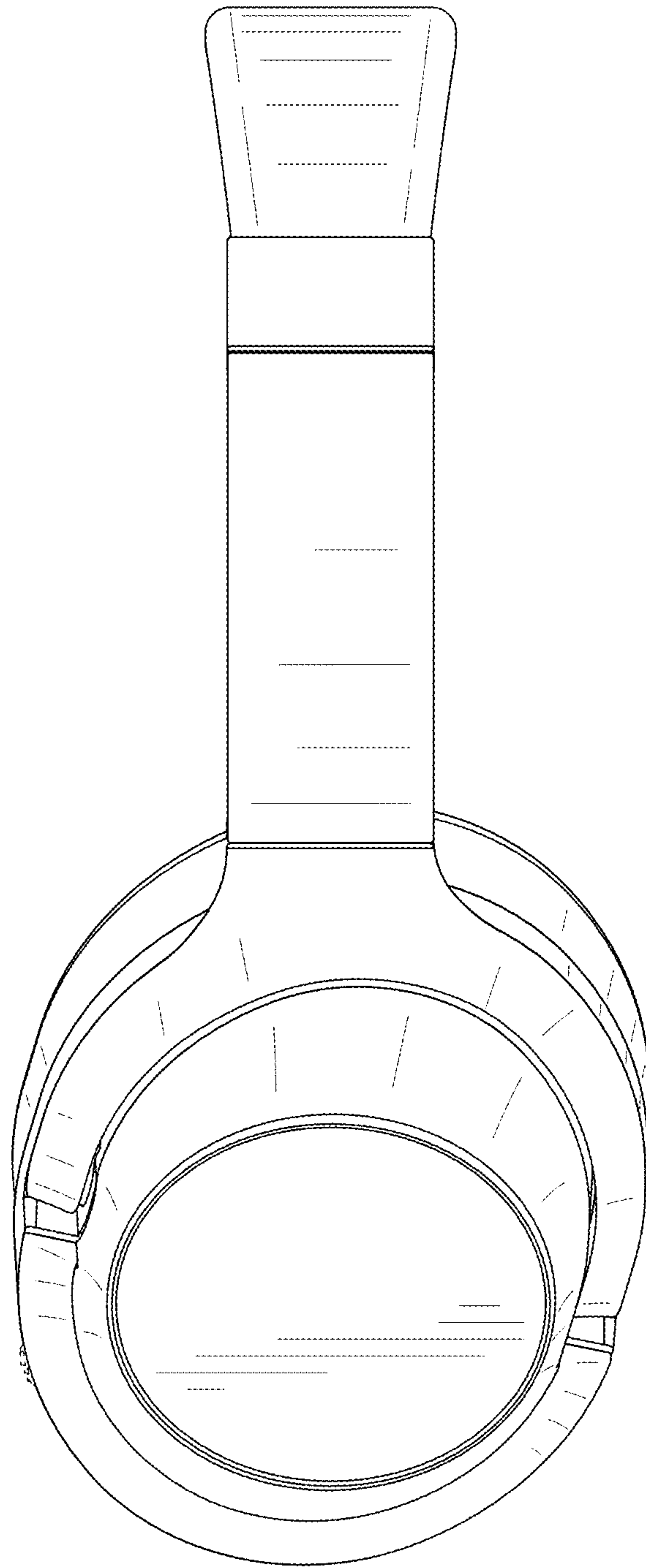


FIG. 3

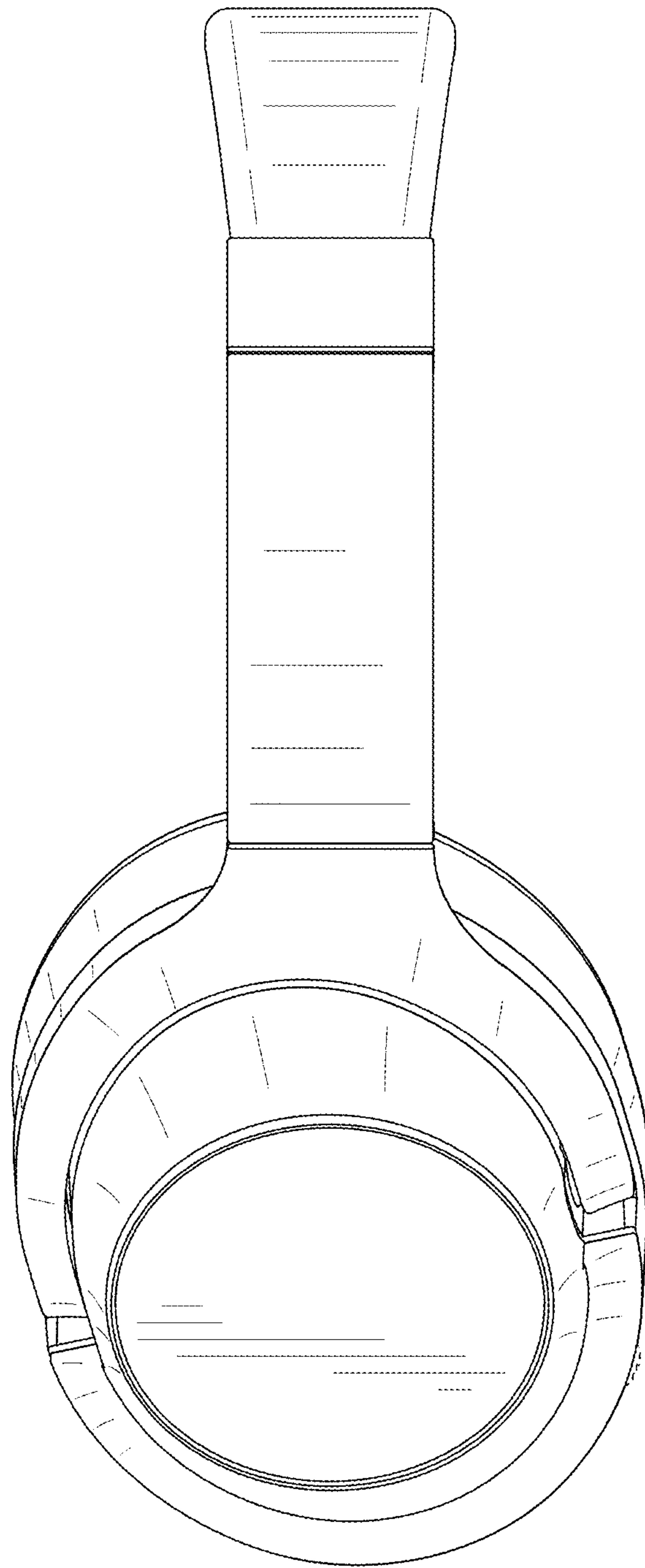


FIG. 4

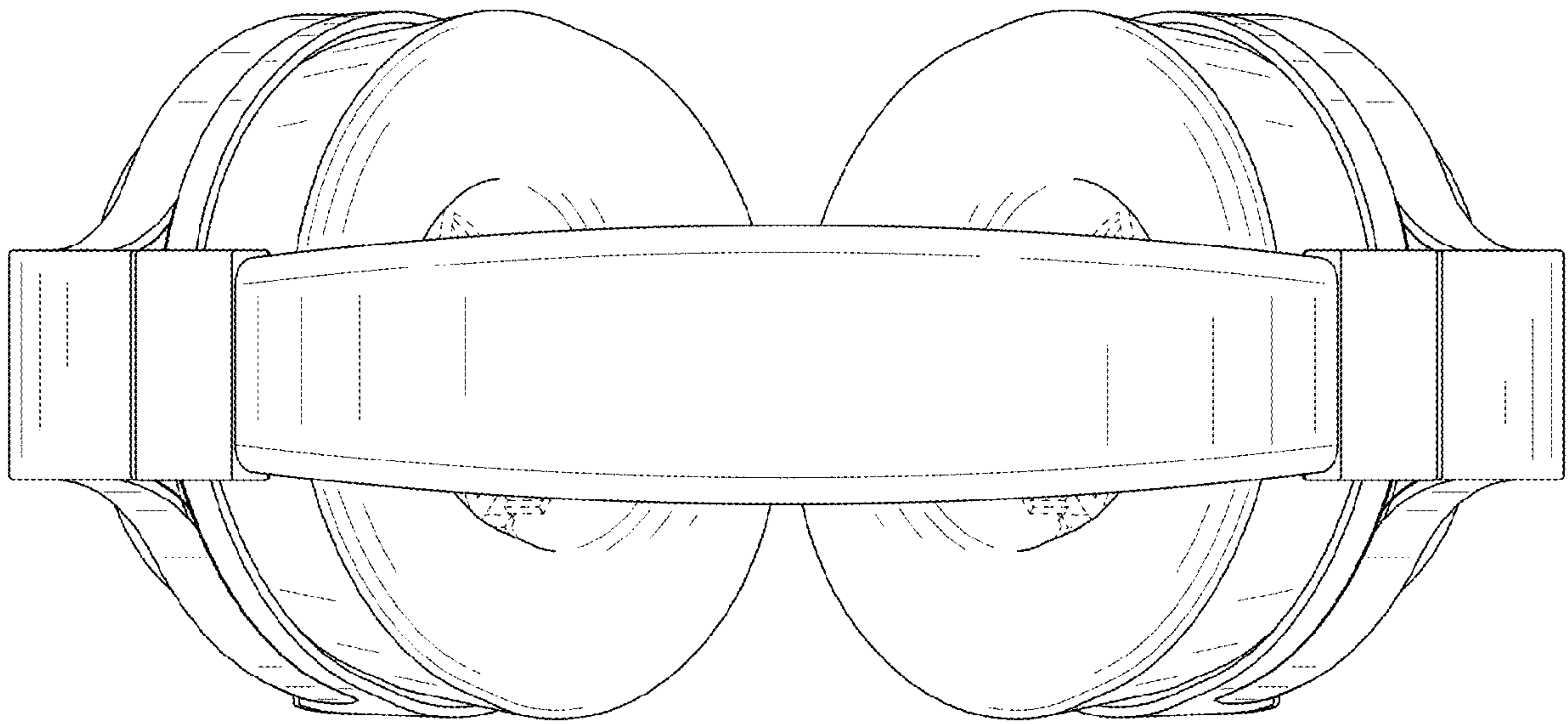


FIG. 5

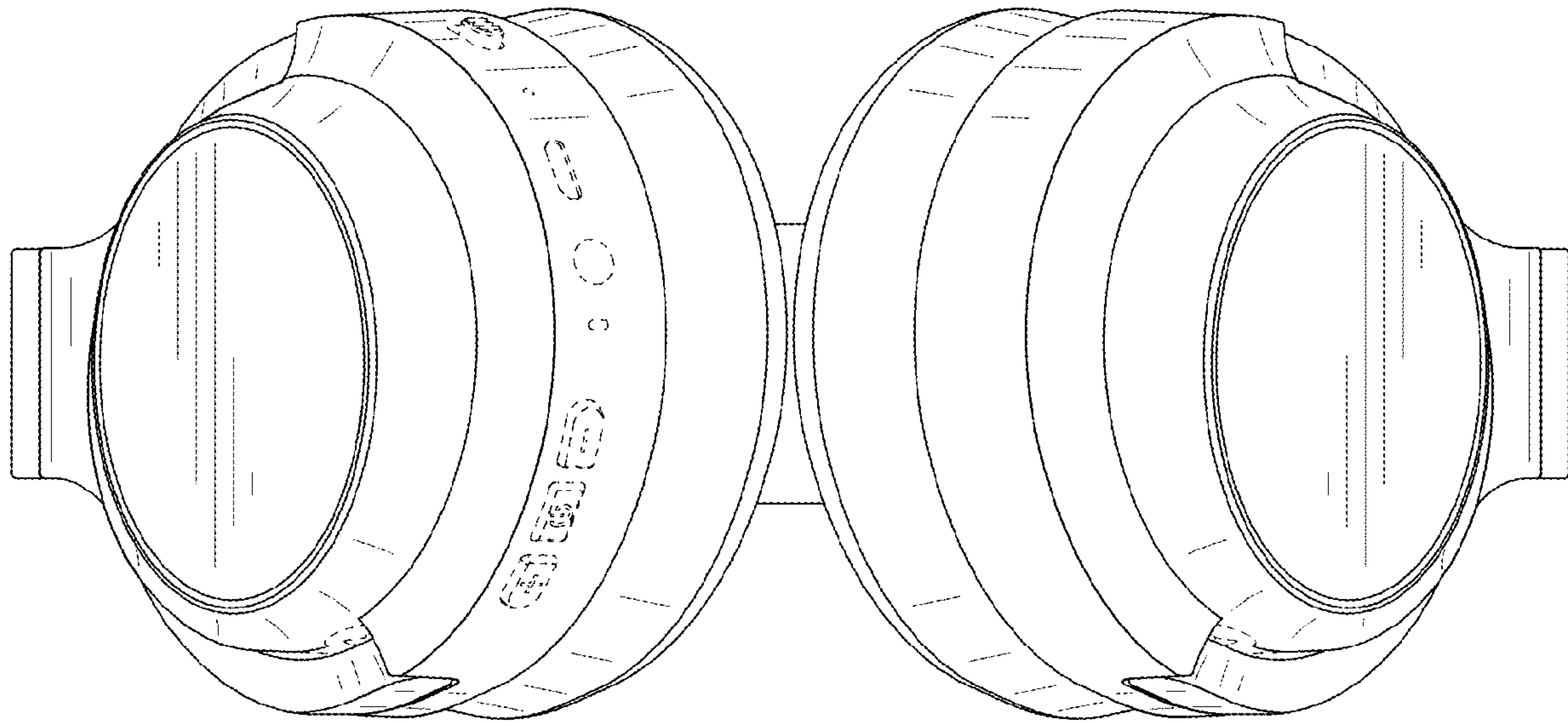


FIG. 6

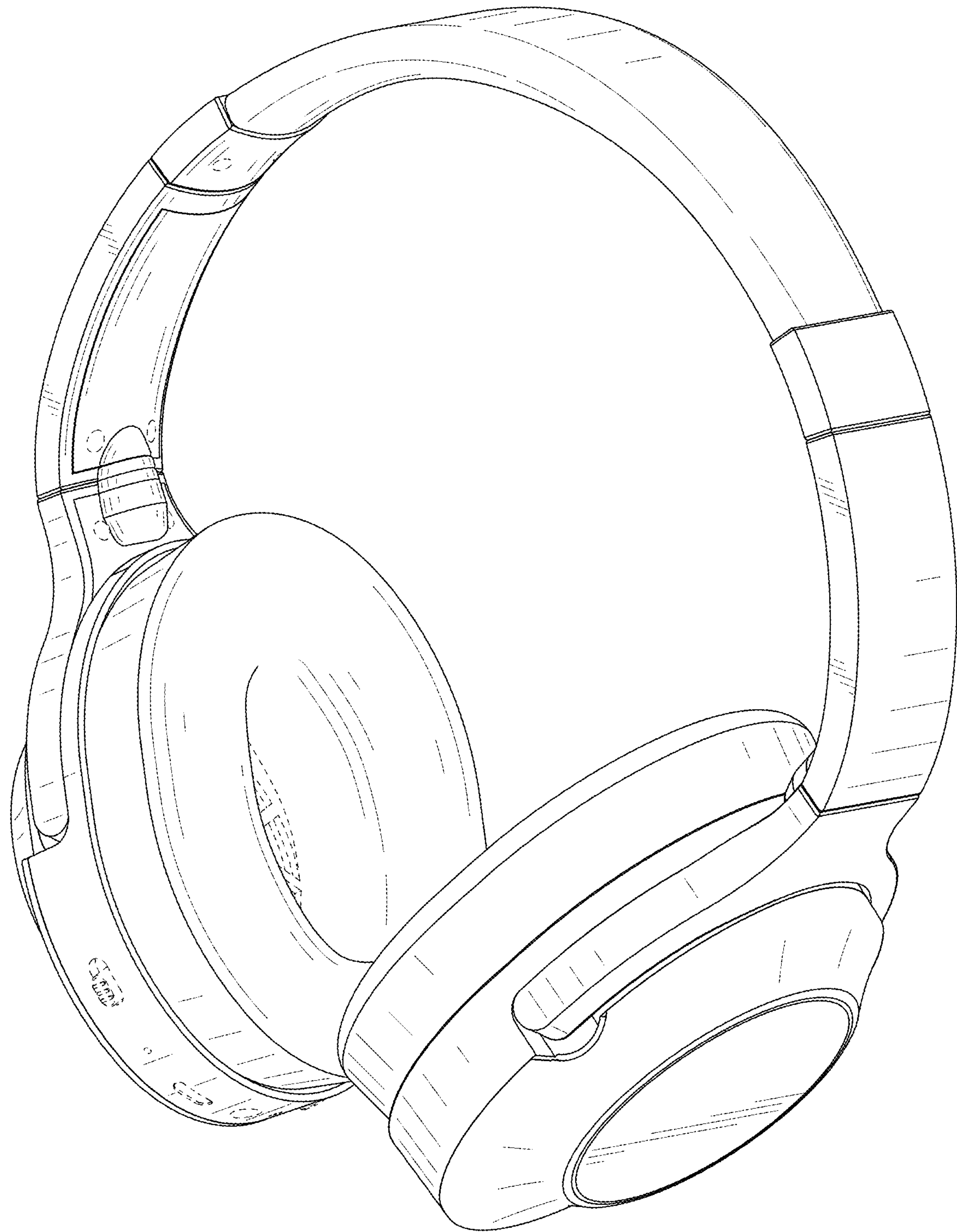


FIG. 7