



US00D919601S

(12) **United States Design Patent** (10) **Patent No.:** **US D919,601 S**
Chen (45) **Date of Patent:** **** May 18, 2021**

(54) **REMOTE CONTROL**

(71) Applicant: **Eyun Chen**, Puning (CN)

(72) Inventor: **Eyun Chen**, Puning (CN)

(**) Term: **15 Years**

(21) Appl. No.: **29/740,266**

(22) Filed: **Jul. 2, 2020**

(51) **LOC (13) Cl.** **14-03**

(52) **U.S. Cl.**
USPC **D14/218**

(58) **Field of Classification Search**
USPC D14/218; D13/168
CPC .. A47C 31/008; A61G 13/02; G07C 9/00944;
G08C 17/00; G08C 17/02; H04B 1/202;
H01H 9/02; H01H 9/0214; H01H 9/0235;
H01H 9/0242

See application file for complete search history.

(56) **References Cited**

U.S. PATENT DOCUMENTS

D476,975 S * 7/2003 Rodriguez, Sr. D14/218
D495,801 S * 9/2004 Kim D24/200
D596,163 S * 7/2009 Madonna D14/218
D633,478 S * 3/2011 Bolton D14/218

D645,848 S * 9/2011 Arnholt D14/218
D714,761 S * 10/2014 O'Neil D14/218
D714,762 S * 10/2014 O'Neil D14/218
D735,696 S * 8/2015 Sirpal D14/218
D741,283 S * 10/2015 Semana D14/158
D788,223 S * 5/2017 Grady D19/60
D789,366 S * 6/2017 Jentz D14/388
D805,501 S * 12/2017 Akana D14/218
D851,607 S * 6/2019 Chen D13/168
D856,308 S * 8/2019 Pang D14/218
D868,037 S * 11/2019 Zhuang D14/218
D901,452 S * 11/2020 Maier D14/218

* cited by examiner

Primary Examiner — John Windmuller

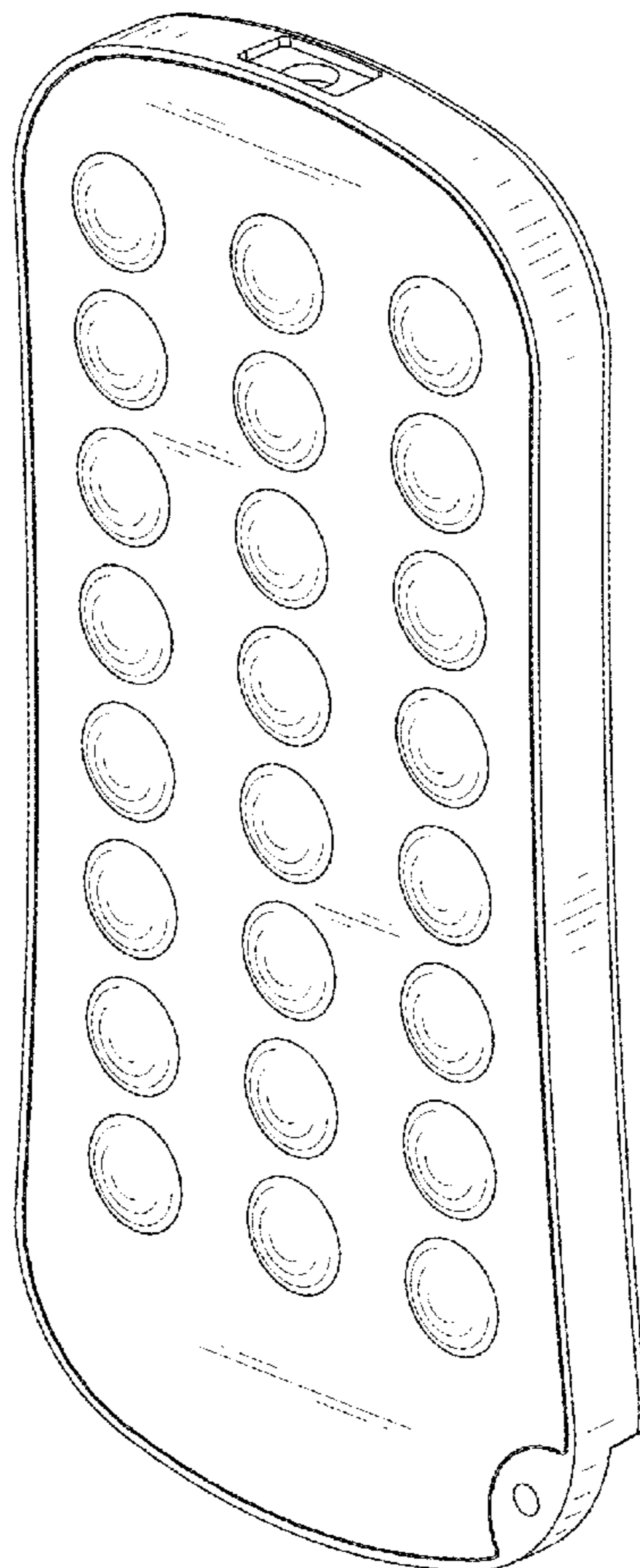
(57) **CLAIM**

The ornamental design for a remote control, as shown and described.

DESCRIPTION

FIG. 1 is a front perspective view of the remote control showing my new design;
FIG. 2 is a rear perspective view thereof;
FIG. 3 is a front elevational view thereof;
FIG. 4 is a rear elevational view thereof;
FIG. 5 is a left side elevational view thereof;
FIG. 6 is a right side elevational view thereof;
FIG. 7 is a top plan view thereof; and,
FIG. 8 is a bottom plan view thereof.

1 Claim, 6 Drawing Sheets



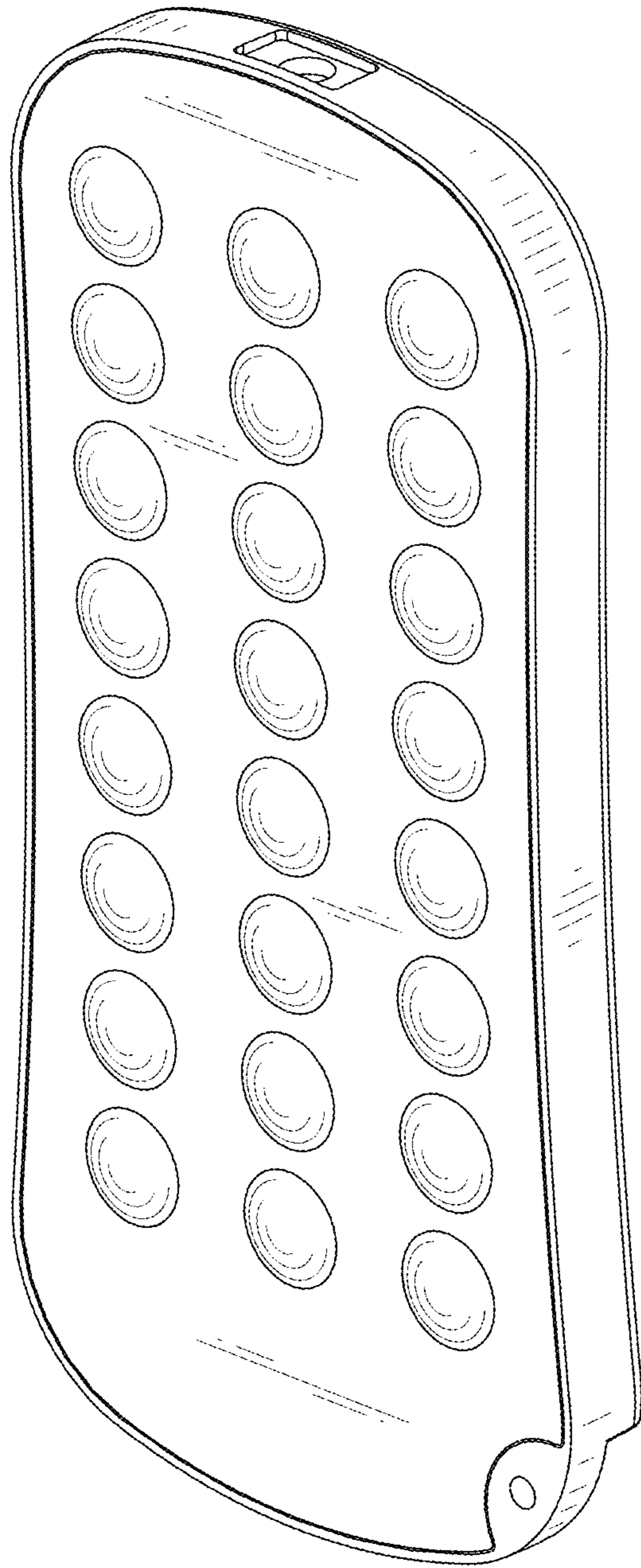


FIG. 1

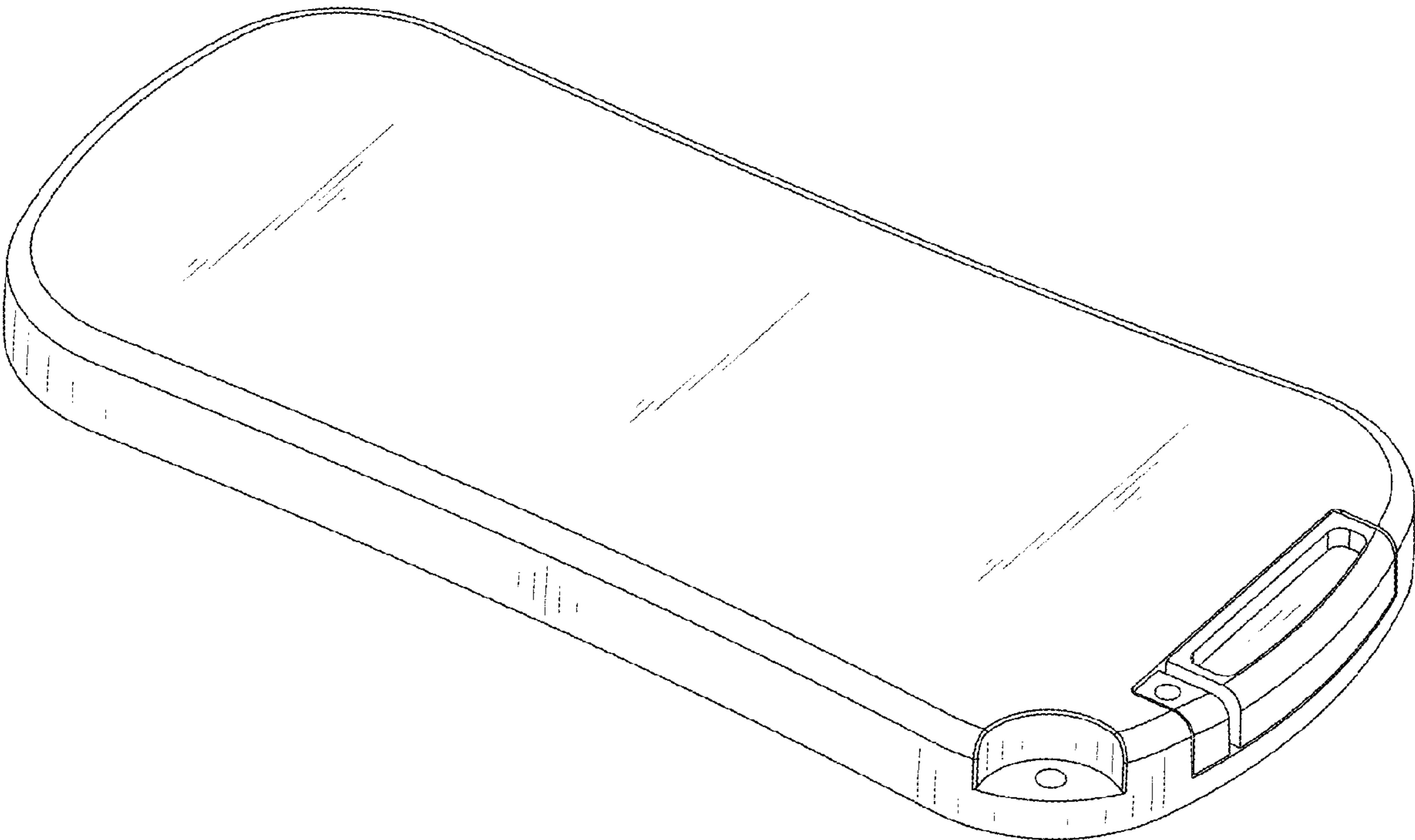


FIG.2

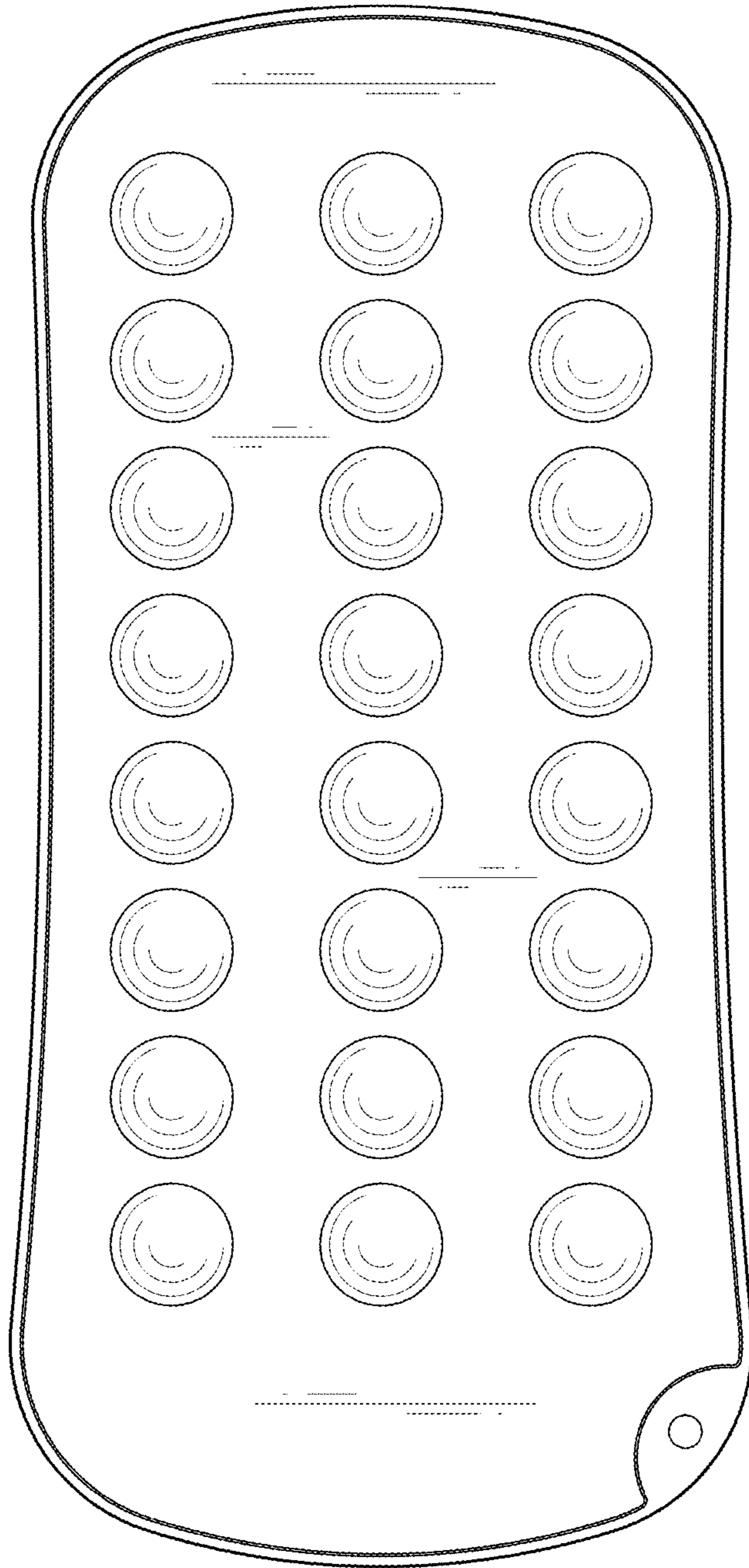


FIG.3

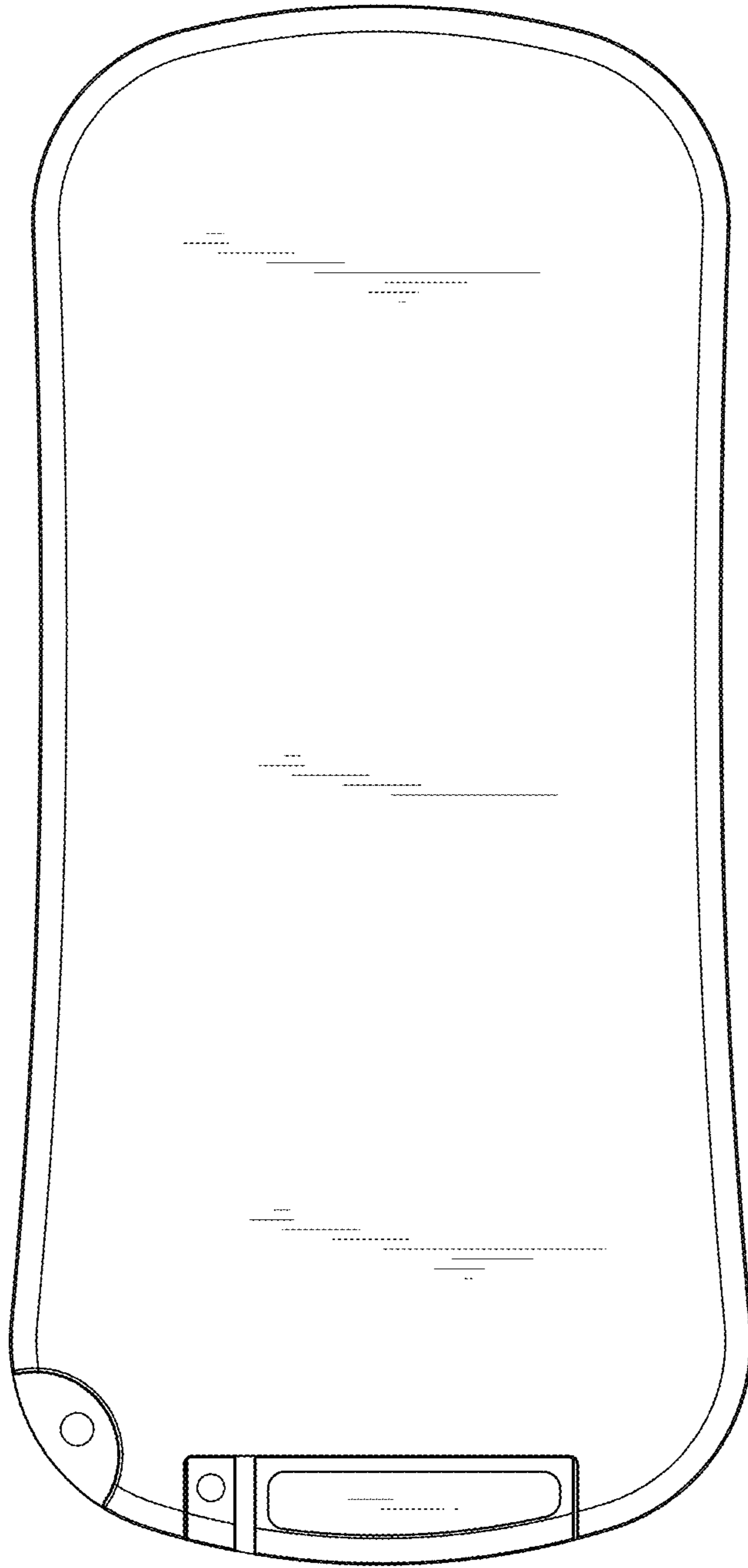


FIG.4

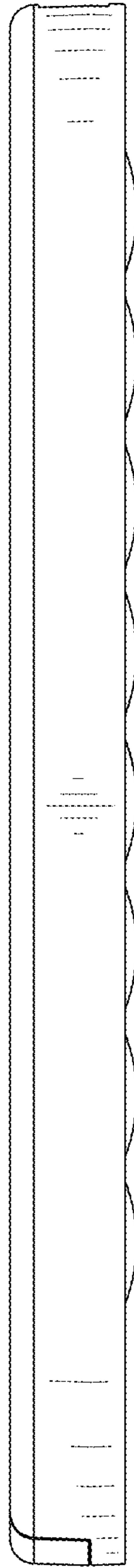


FIG. 5

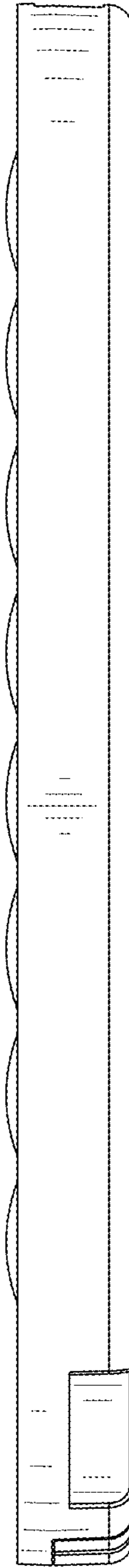


FIG. 6

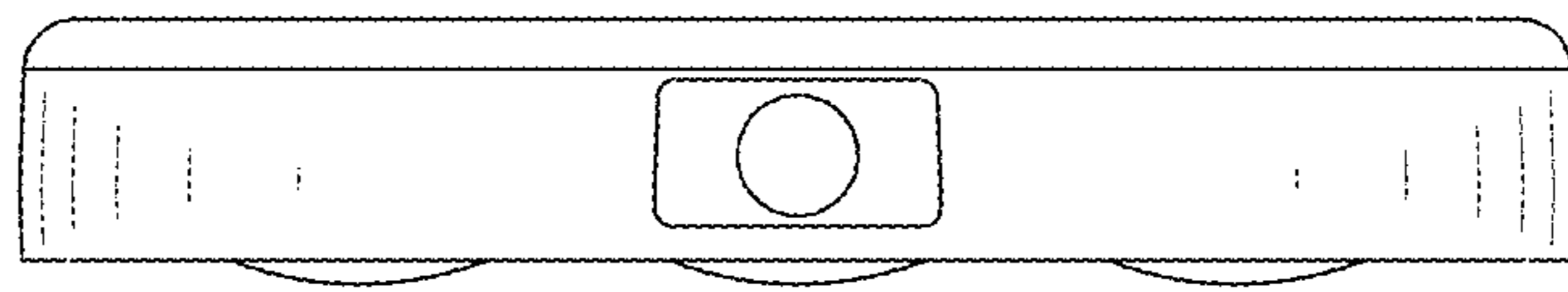


FIG. 7

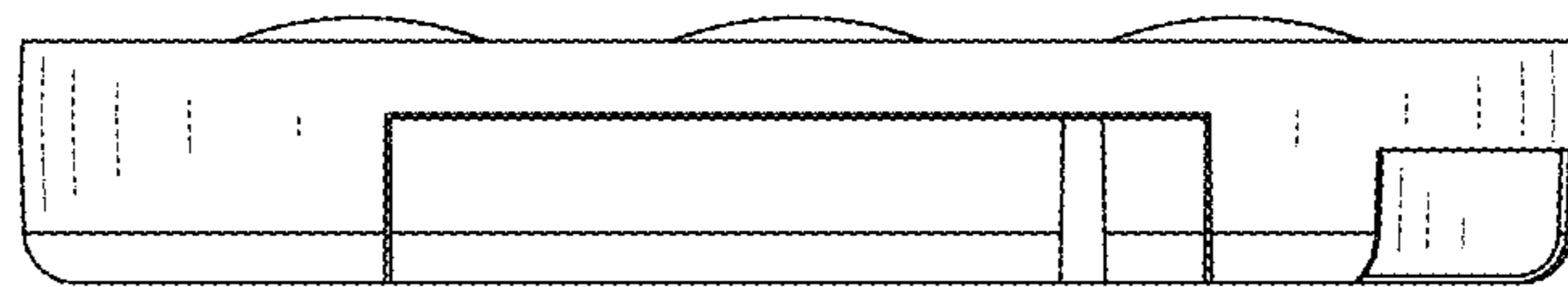


FIG. 8