



US00D919599S

(12) **United States Design Patent** (10) **Patent No.:** **US D919,599 S**
Wang et al. (45) **Date of Patent:** **** *May 18, 2021**

(54) **SPEAKER**

(71) Applicant: **Logitech Europe S.A.**, Lausanne (CH)

(72) Inventors: **Wenwei Wang**, Hsinchu (TW);
Ming-Hsiang Weng, Hsinchu (TW);
Jeremy David Baker, Homestead, FL (US);
Olivier Gregoire, Oakland, CA (US)

(73) Assignee: **Logitech Europe S.A.**, Lausanne (CH)

(*) Notice: This patent is subject to a terminal disclaimer.

(**) Term: **15 Years**

(21) Appl. No.: **29/712,319**

(22) Filed: **Nov. 7, 2019**

Related U.S. Application Data

(63) Continuation of application No. 29/602,251, filed on Apr. 28, 2017, now Pat. No. Des. 871,372.

(51) **LOC (13) Cl.** **14-01**

(52) **U.S. Cl.**
USPC **D14/216**

(58) **Field of Classification Search**

USPC D14/167, 168, 170–172, 188, 194–196, D14/204, 209.1, 210–216, 219, 221, 222, D14/224, 239, 496, 192
CPC B60R 11/0217; G06F 1/1688; G10K 9/22; G10K 11/004; H03F 1/327; H04M 1/03; H04M 1/035; H04N 5/642; H04N 21/4852; H04R 1/02; H04R 1/06; H04R 1/021; H04R 1/025; H04R 1/026; H04R 1/028; H04R 1/105; H04R 1/323; H04R 1/403; H04R 1/2803; H04R 1/2834; H04R 5/02; H04R 7/20; H04R 9/06;

H04R 9/025; H04R 2201/021; H04R 2400/00; H04R 2400/07; H04R 2499/11; H04R 2499/13; H04R 2499/15; H04S 3/00; H04S 7/30

See application file for complete search history.

(56) **References Cited**

U.S. PATENT DOCUMENTS

D870,704 S *	12/2019	Leung	D14/216
D877,123 S *	3/2020	Lee	D14/216
D884,668 S *	5/2020	Kim	D14/204
D885,368 S *	5/2020	Yanjie	D14/216
D891,400 S *	7/2020	Waterman	D14/216
D900,765 S *	11/2020	Yi	D14/216
D905,663 S *	12/2020	Wang	D14/216
D907,601 S *	1/2021	Yang	D14/216

* cited by examiner

Primary Examiner — Keli L Hill

(74) *Attorney, Agent, or Firm* — Kilpatrick, Townsend & Stockton, LLP

(57) **CLAIM**

The ornamental design for speaker, as shown and described.

DESCRIPTION

FIG. 1 is a perspective view of a speaker showing our new design;

FIG. 2 is a second perspective view thereof;

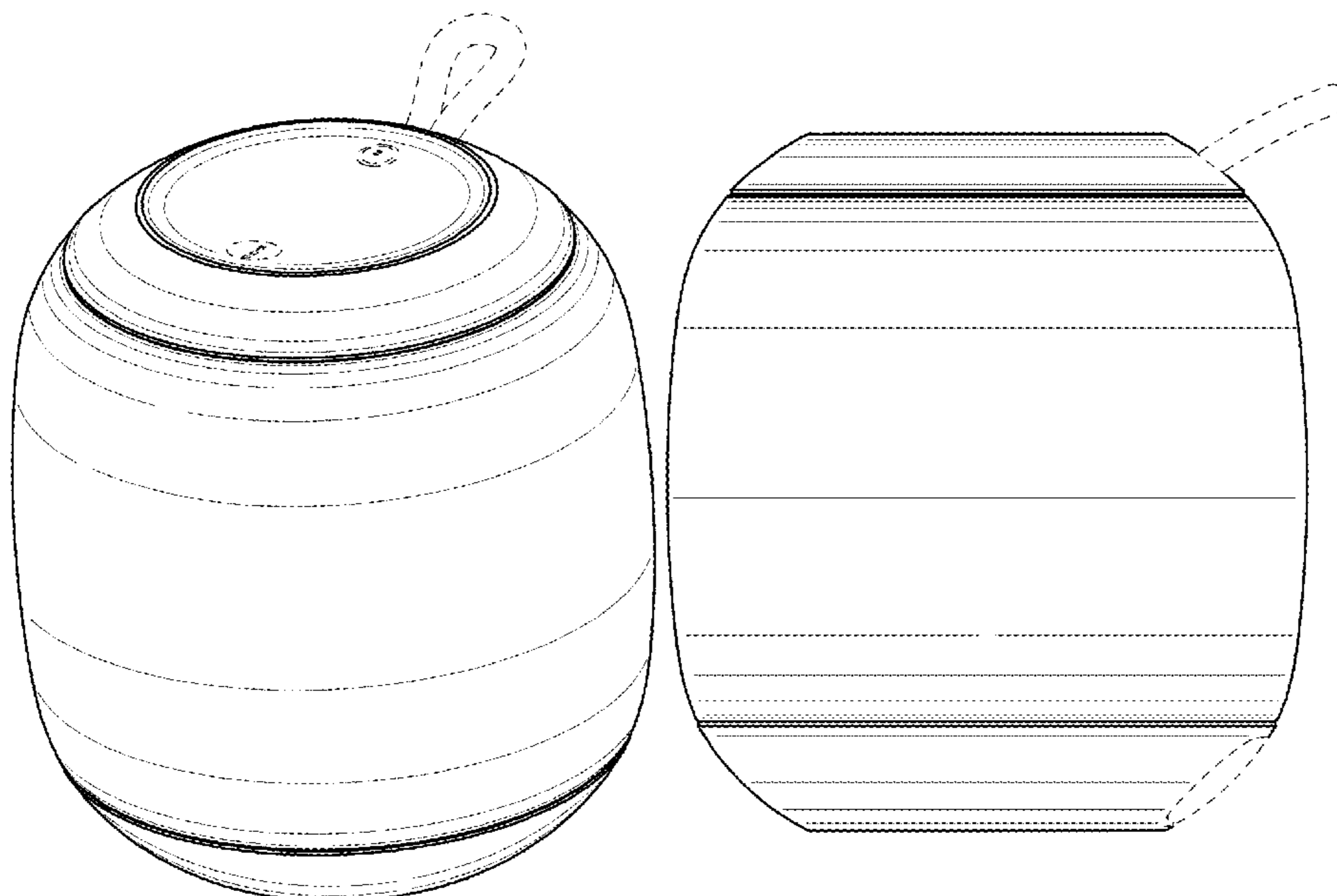
FIG. 3 is a rear elevational view thereof;

FIG. 4 is a right side elevational view thereof; and,

FIG. 5 is a left side elevational view thereof.

The broken lines immediately adjacent the shaded areas represent the bounds of the claimed design while all other broken lines are included for the purpose of illustrating portions of the speaker the broken lines form no part of the claimed design.

1 Claim, 3 Drawing Sheets



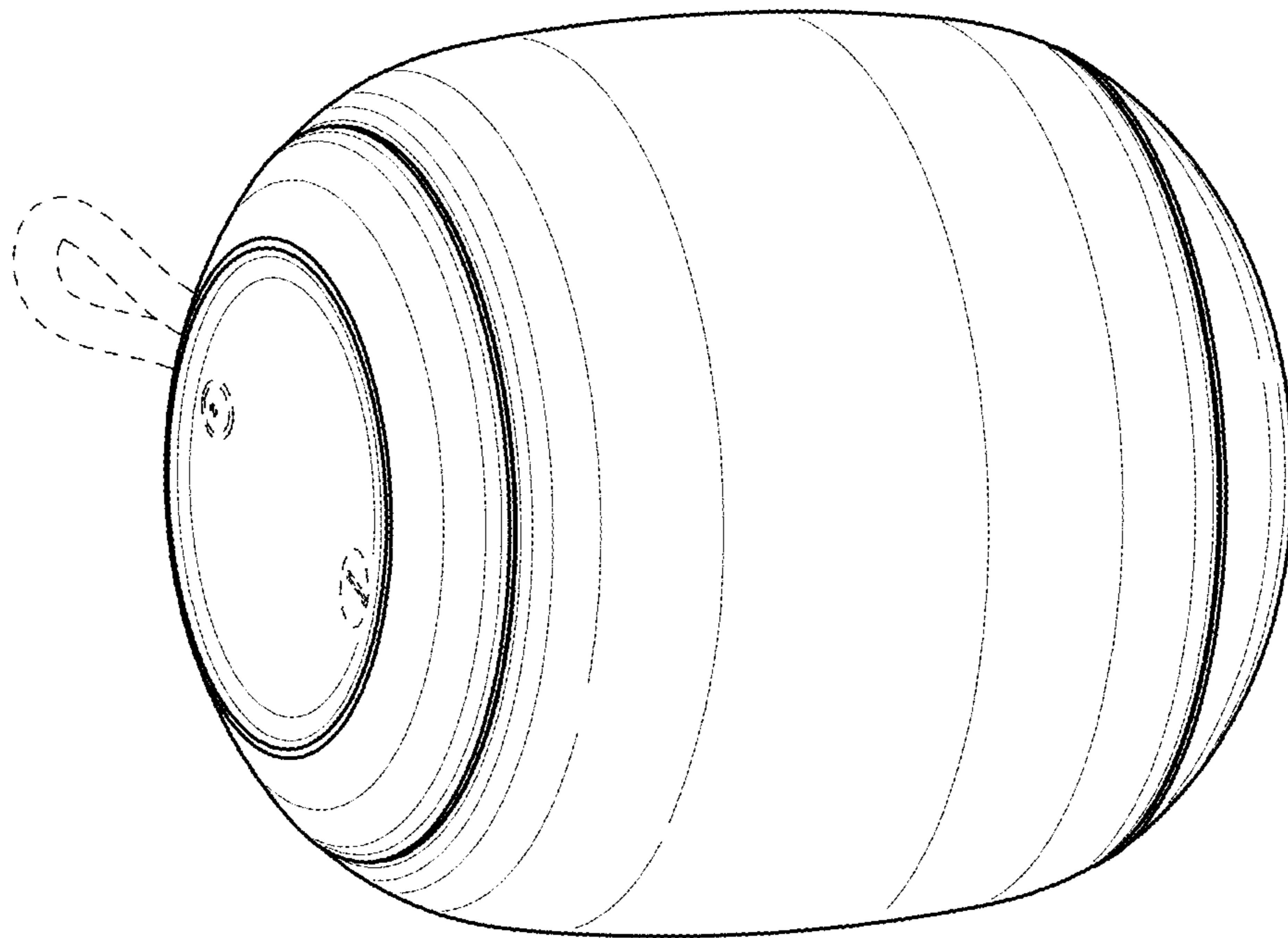


FIG. 1

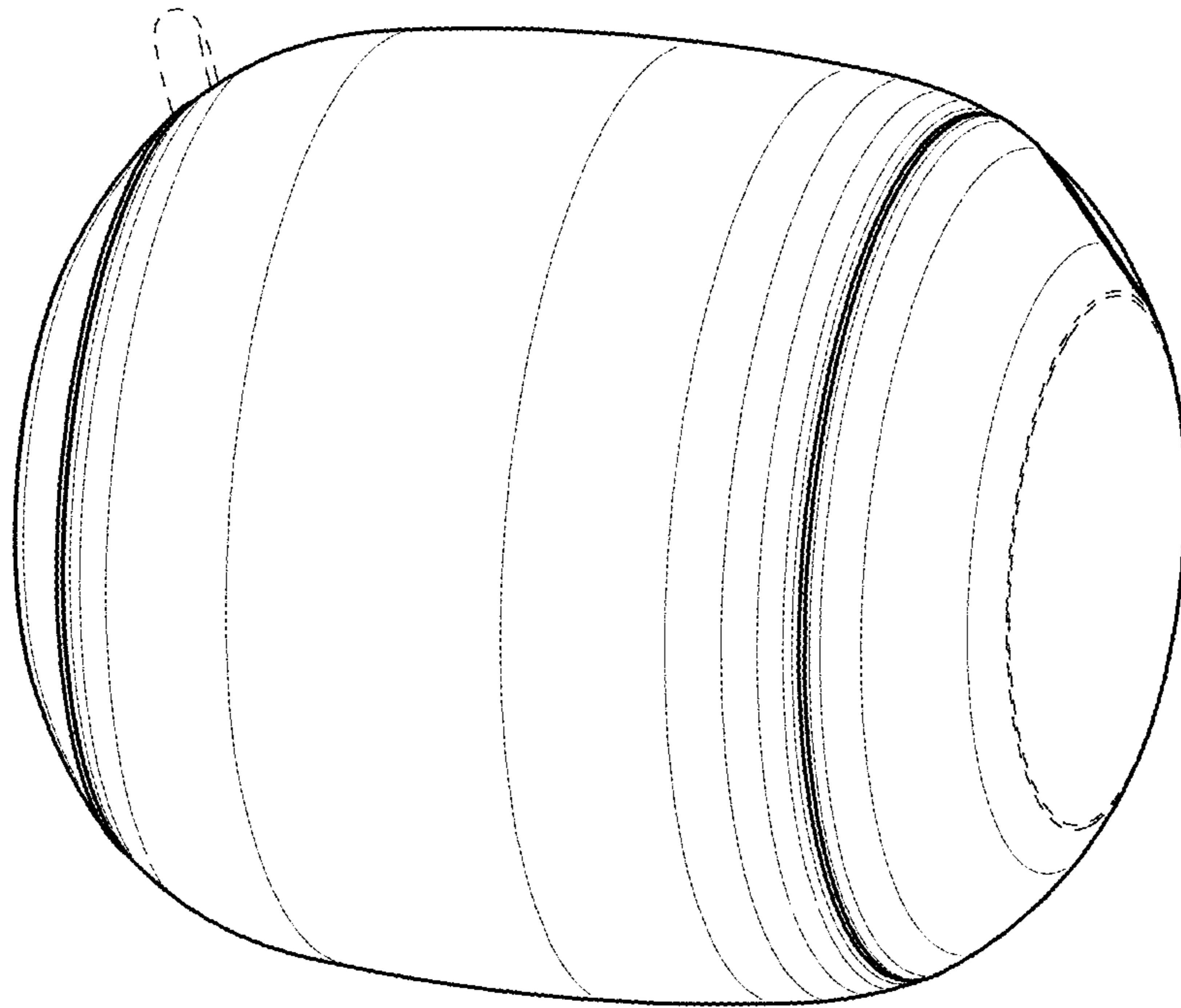


FIG. 2

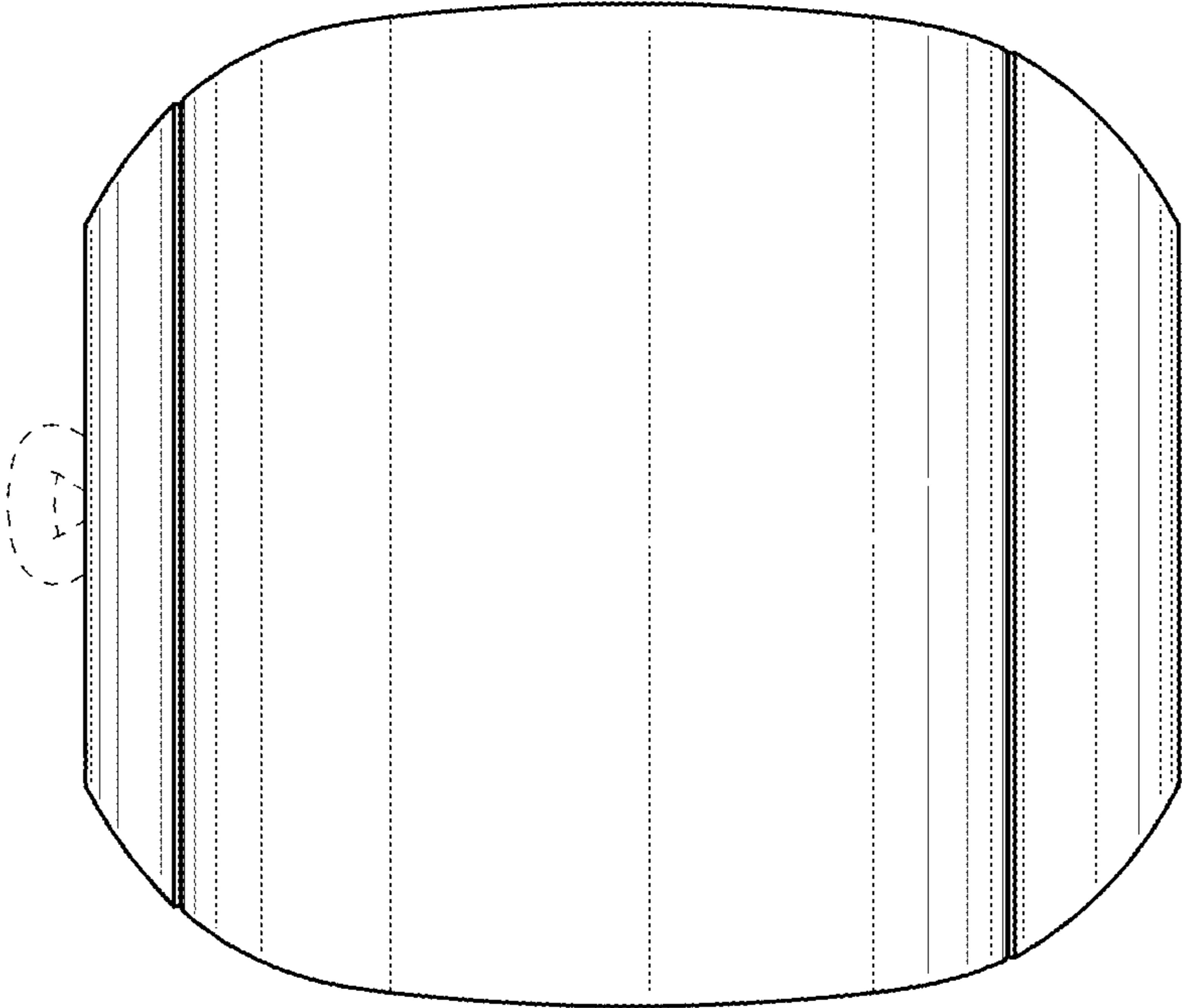


FIG. 3

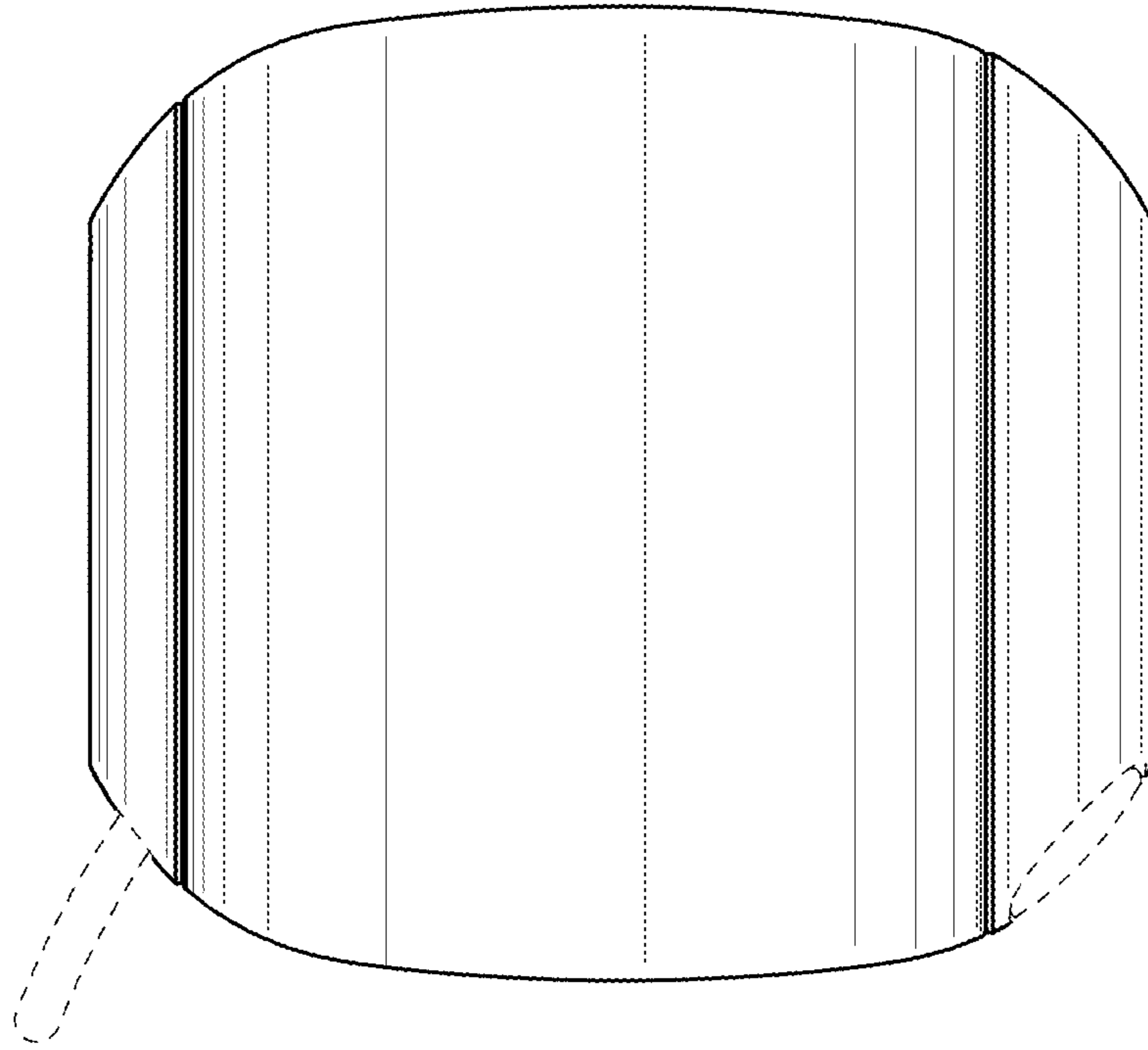


FIG. 4

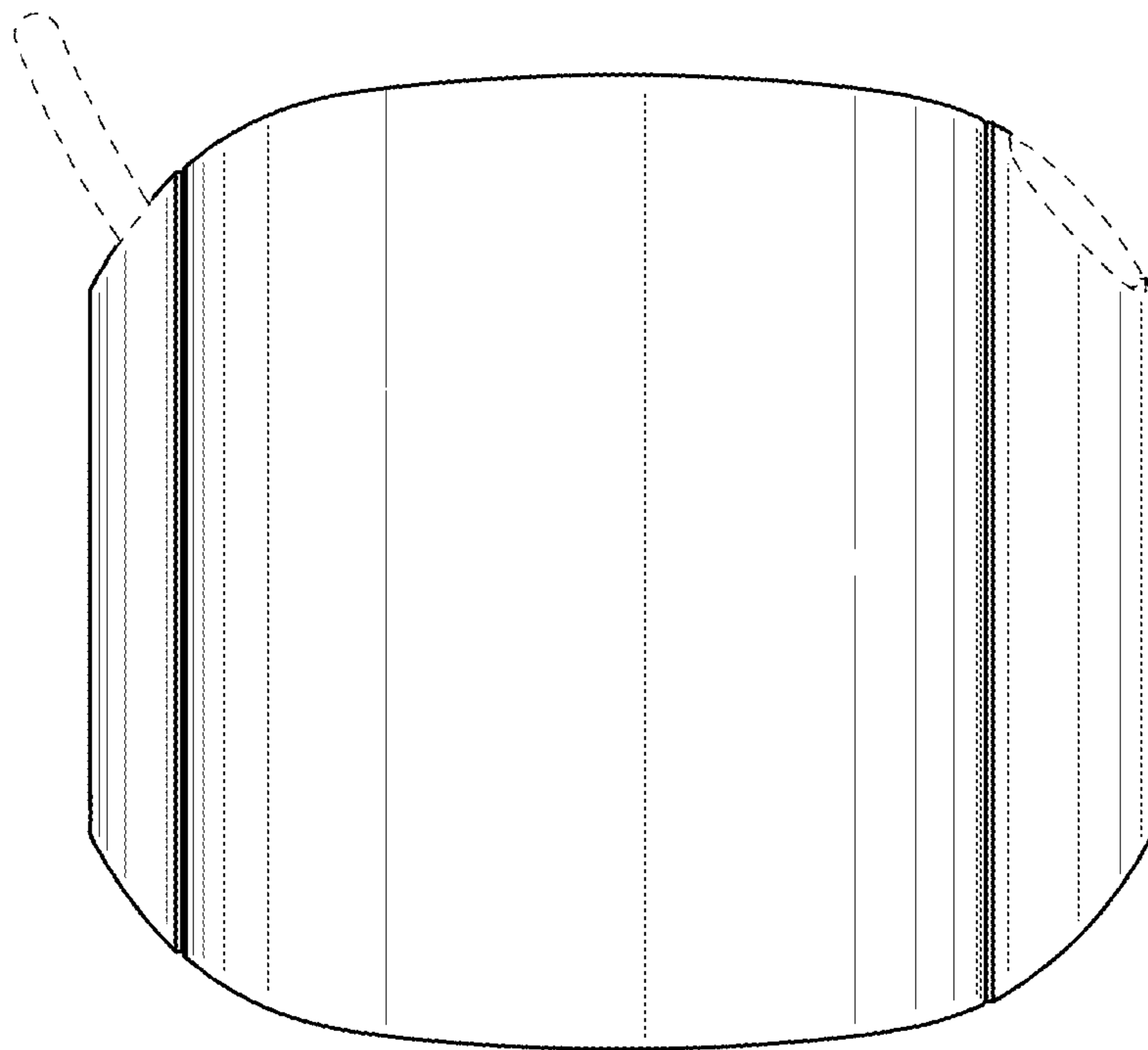


FIG. 5