



US00D919598S

(12) **United States Design Patent** (10) **Patent No.:** **US D919,598 S**  
**Laurans et al.** (45) **Date of Patent:** **\*\* May 18, 2021**

(54) **BASE STATION HOUSING**

(71) Applicant: **SimpliSafe, Inc.**, Boston, MA (US)

(72) Inventors: **Chad Laurans**, Brookline, MA (US);  
**Melina Engel**, Belmont, MA (US);  
**Yong Zhao**, Medford, MA (US); **Jason Robinson**, Tewksbury, MA (US);  
**Gregory Wolos**, Cambridge, MA (US);  
**Ian Schon**, Brookline, MA (US); **Dirk Ahlgrim**, Boston, MA (US)

(73) Assignee: **SimpliSafe, Inc.**, Boston, MA (US)

(\*\*) Term: **15 Years**

(21) Appl. No.: **29/629,730**

(22) Filed: **Dec. 15, 2017**

(51) **LOC (13) Cl.** ..... **14-01**

(52) **U.S. Cl.**

USPC ..... **D14/216**; D14/217; D14/219; D14/240

(58) **Field of Classification Search**

USPC ..... D14/167, 168, 170–172, 188, 194–196,  
D14/204, 209.1, 210–216, 219, 221, 222,  
D14/224, 239, 496, 230; D5/57, 58, 60,  
D5/61; D23/386–391, 393, 395, 397, 400  
CPC ..... B60R 11/0217; G06F 1/1688; G10K 9/22;  
G10K 11/004; H03F 1/327; H04M 1/03;  
H04M 1/035; H04N 5/642; H04N  
21/4852; H04R 1/02; H04R 1/06; H04R  
1/021; H04R 1/025; H04R 1/026; H04R  
1/028; H04R 1/105; H04R 1/323; H04R  
1/403; H04R 1/2803; H04R 1/2834;  
H04R 5/02; H04R 7/20; H04R 9/06;  
H04R 9/025; H04R 2201/021; H04R  
2400/00; H04R 2400/07; H04R 2499/11;  
H04R 2499/13; H04R 2499/15; H04S  
3/00; H04S 7/30

See application file for complete search history.

(56) **References Cited**

U.S. PATENT DOCUMENTS

D241,161	S	*	8/1976	Tomioka	.....	D14/199
D380,759	S	*	7/1997	Lin	.....	D14/215
D507,790	S	*	7/2005	Dayan	.....	D14/211
D512,046	S	*	11/2005	Christianson	.....	D14/211
D512,411	S	*	12/2005	Christianson	.....	D14/211
D515,066	S	*	2/2006	Takagi	.....	D14/168
D535,288	S	*	1/2007	Files	.....	D14/215
D537,073	S	*	2/2007	Peersman	.....	D14/213
D559,833	S	*	1/2008	Skurdal	.....	D14/168
D591,267	S	*	4/2009	Files	.....	D12/114

(Continued)

*Primary Examiner* — Keli L Hill

(74) *Attorney, Agent, or Firm* — Wolf, Greenfield & Sacks, P.C.

(57) **CLAIM**

The ornamental design for a base station housing, as shown and described.

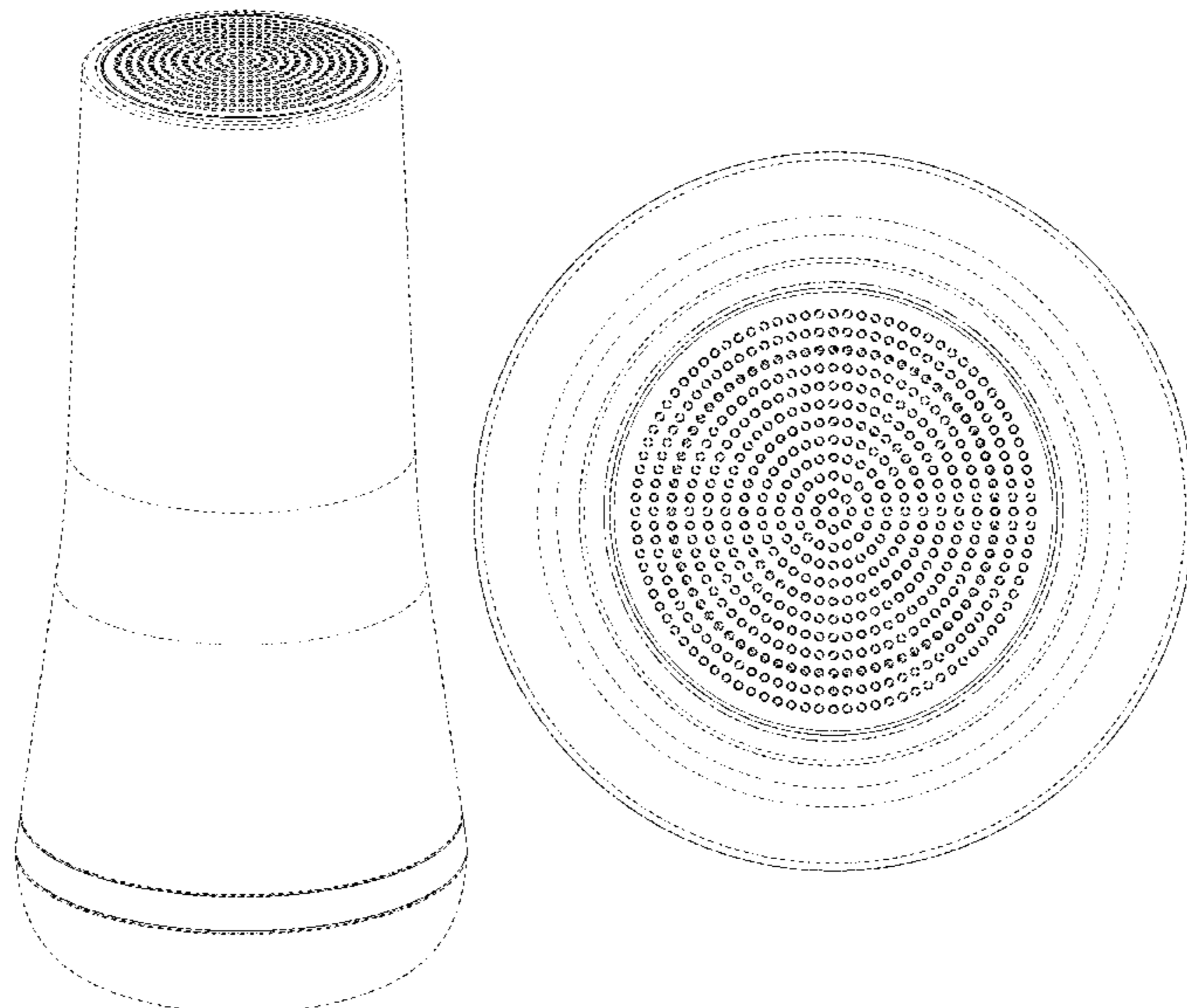
**DESCRIPTION**

FIG. 1 shows an upper front right perspective view of the base station housing;  
FIG. 2 shows a lower front right perspective view thereof;  
FIG. 3 shows a front view thereof;  
FIG. 4 shows a right side view thereof;  
FIG. 5 shows a left side view thereof;  
FIG. 6 shows a rear view thereof;  
FIG. 7 shows a top view thereof; and,  
FIG. 8 shows a bottom view thereof.

The dot-dot-dash broken lines seen in FIGS. 1 and 7 represent the bounds of the claimed design while all other broken lines are included for the purpose of illustrating portions of the base station housing; the broken lines form no part of the claimed design.

The dot-dash broken lines shown in the center of FIGS. 1 and 2 represent the boundaries of the claimed design and indicate that a specific length and width forms no part of the claimed design.

**1 Claim, 8 Drawing Sheets**



(56)

**References Cited**

## U.S. PATENT DOCUMENTS

D601,931	S	*	10/2009	Files	.....	D12/114
D638,405	S	*	5/2011	Salzedo	.....	D14/215
D644,211	S	*	8/2011	Hao	.....	D14/219
D723,514	S	*	3/2015	Lukic	.....	D14/213
D750,706	S	*	3/2016	Kim	.....	D18/50
D756,957	S	*	5/2016	Nylen	.....	D14/204
D810,280	S	*	2/2018	Tharp	.....	D24/112
D813,210	S	*	3/2018	Benedetti	.....	D14/230
D818,991	S	*	5/2018	Zhang	.....	D14/216
D819,592	S	*	6/2018	Folkmann	.....	D14/149
D828,323	S	*	9/2018	Demin	.....	D14/172
D828,333	S	*	9/2018	Hu	.....	D14/216
D843,975	S	*	3/2019	Ge	.....	D14/221
D845,924	S	*	4/2019	Pedersen	.....	D14/149
D858,497	S	*	9/2019	Laurans	.....	D14/240
D864,929	S	*	10/2019	Laurans	.....	D14/240
D866,517	S	*	11/2019	Wakasa	.....	D14/216
D868,032	S	*	11/2019	Wen	.....	D14/216
D874,435	S	*	2/2020	Gan	.....	D14/215
D877,122	S	*	3/2020	Klosowski	.....	D14/216
D878,333	S	*	3/2020	Vaclavik	.....	D14/209.1
D878,538	S	*	3/2020	Mecker	.....	D23/366
D883,254	S	*	5/2020	Peng	.....	D14/211
D886,079	S	*	6/2020	Feng	.....	D14/216
D890,119	S	*	7/2020	Demin	.....	D14/204
D902,884	S	*	11/2020	Wang	.....	D14/204
D905,049	S	*	12/2020	Lu	.....	D14/314

\* cited by examiner

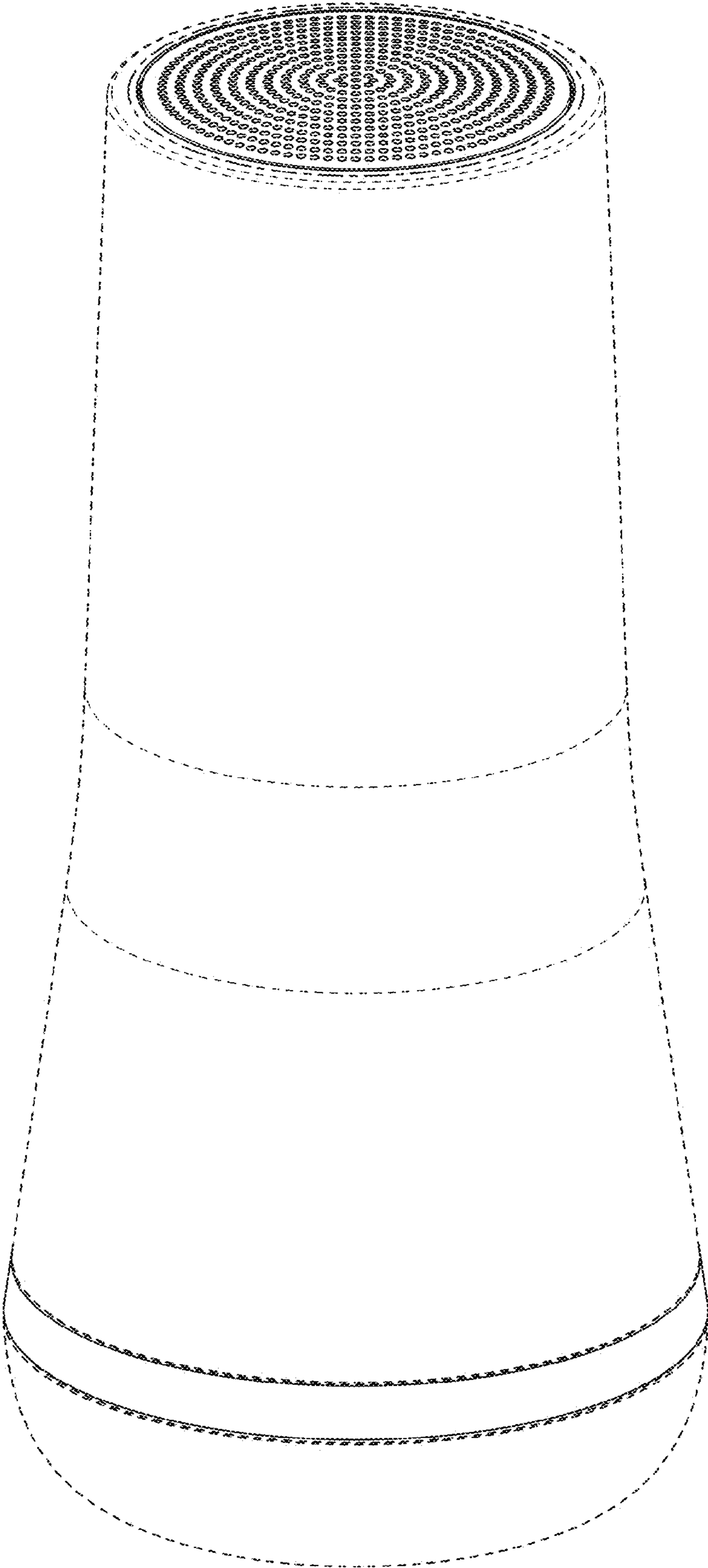


FIG. 1

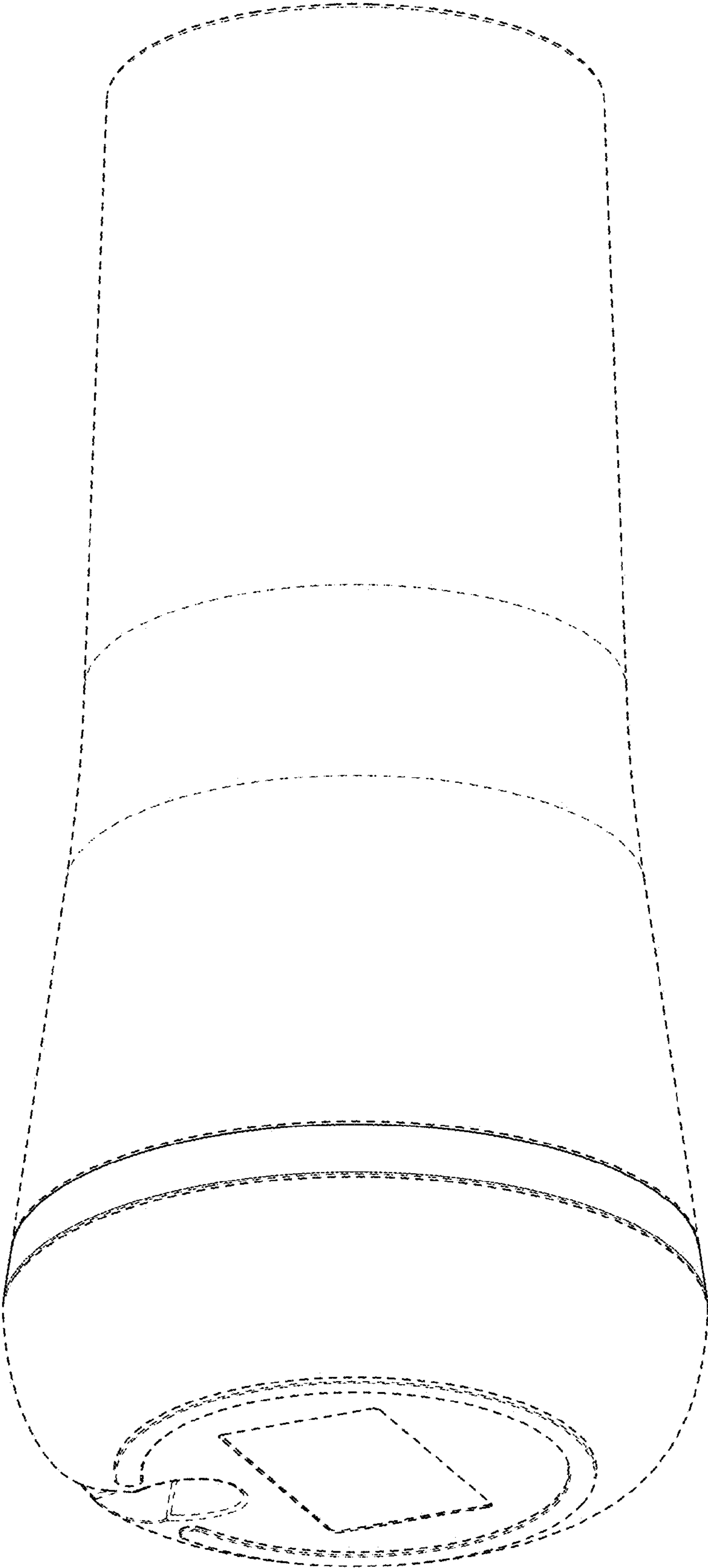


FIG. 2

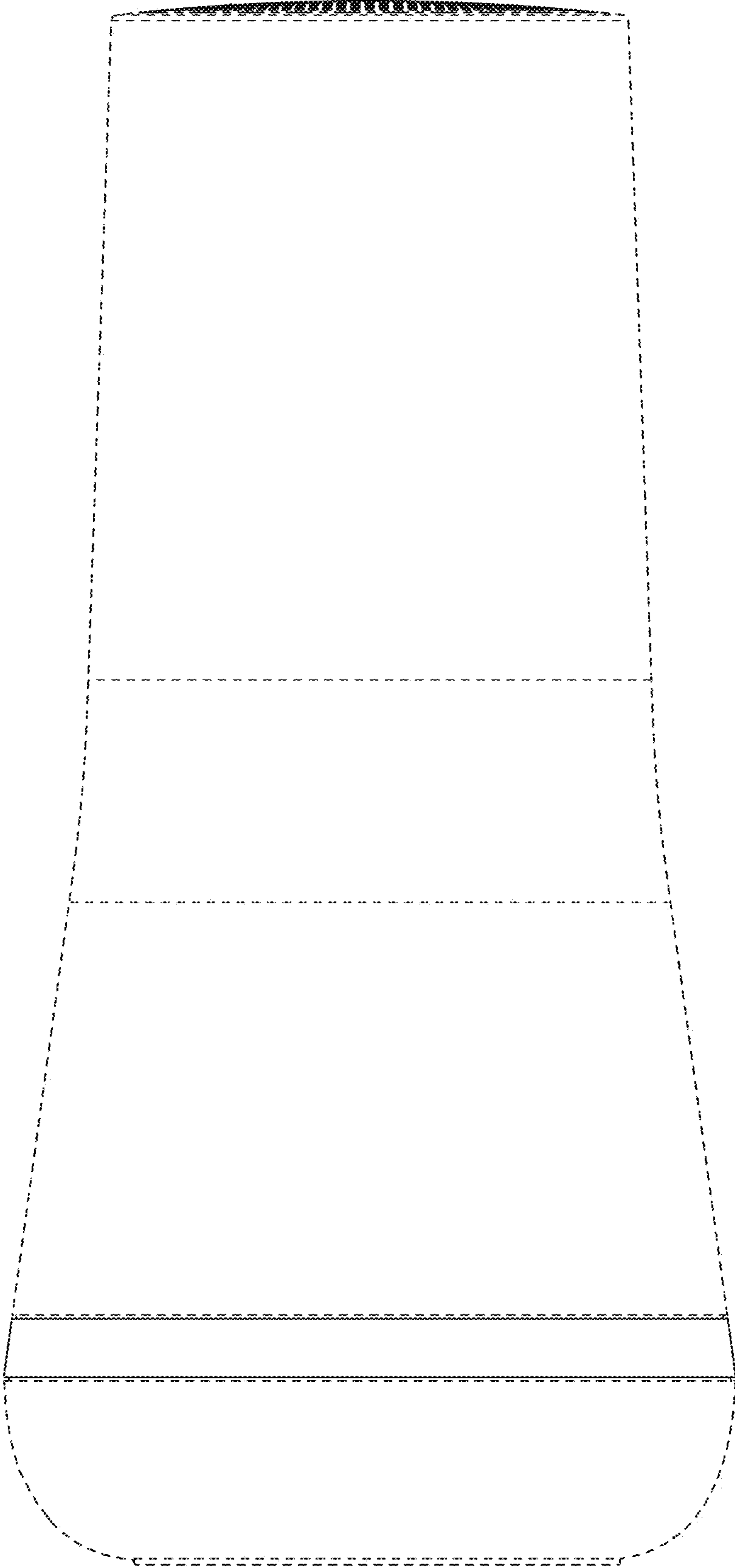


FIG. 3

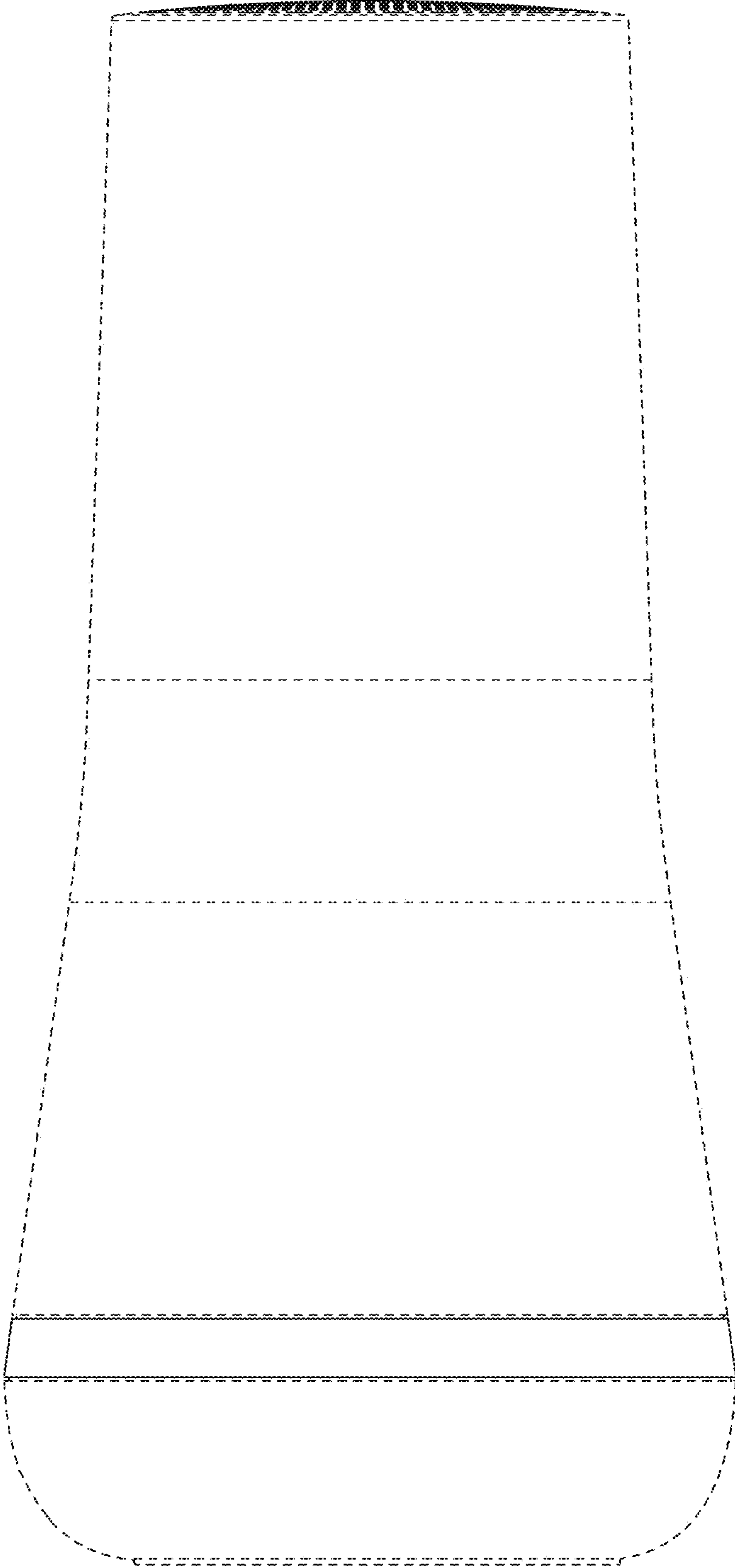


FIG. 4

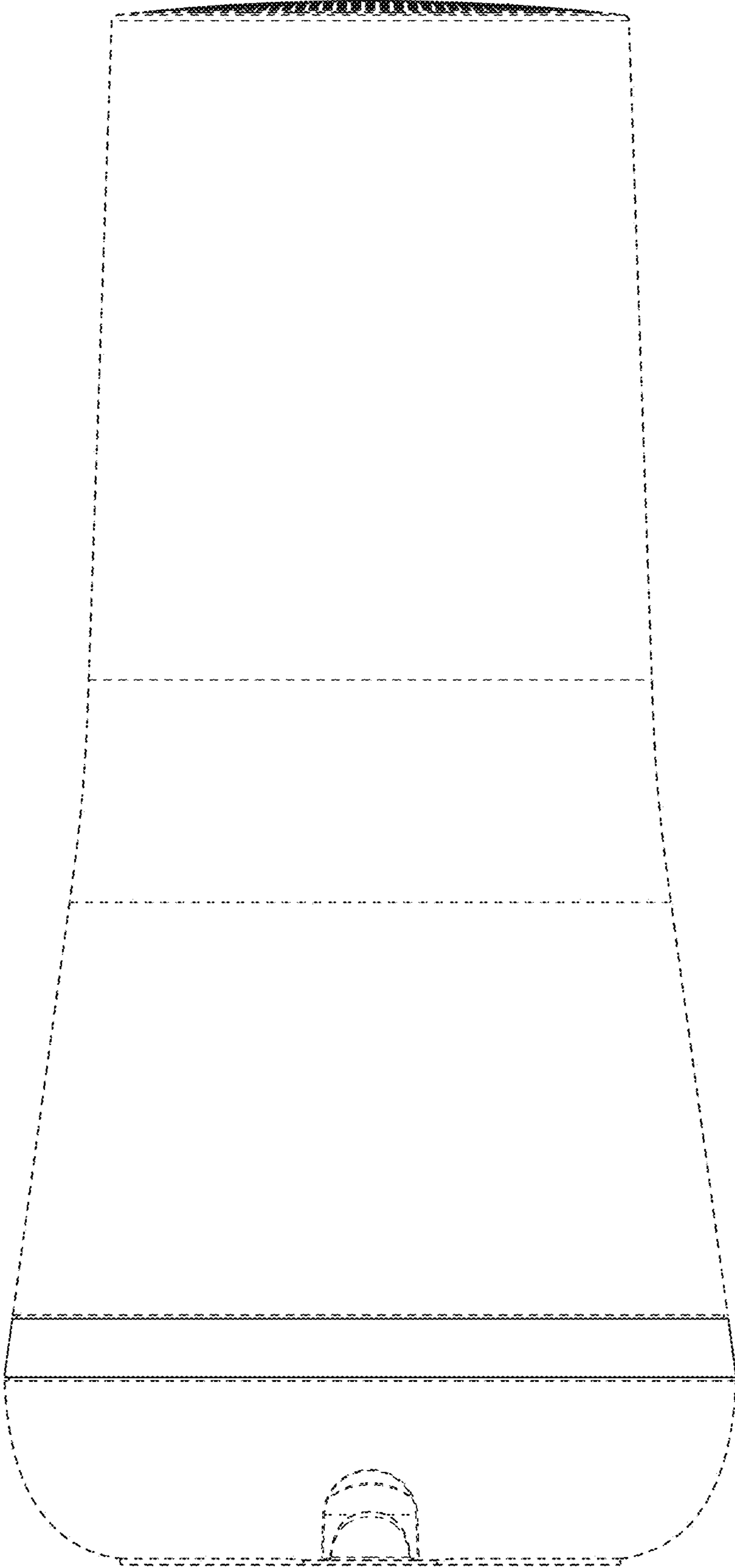


FIG. 5

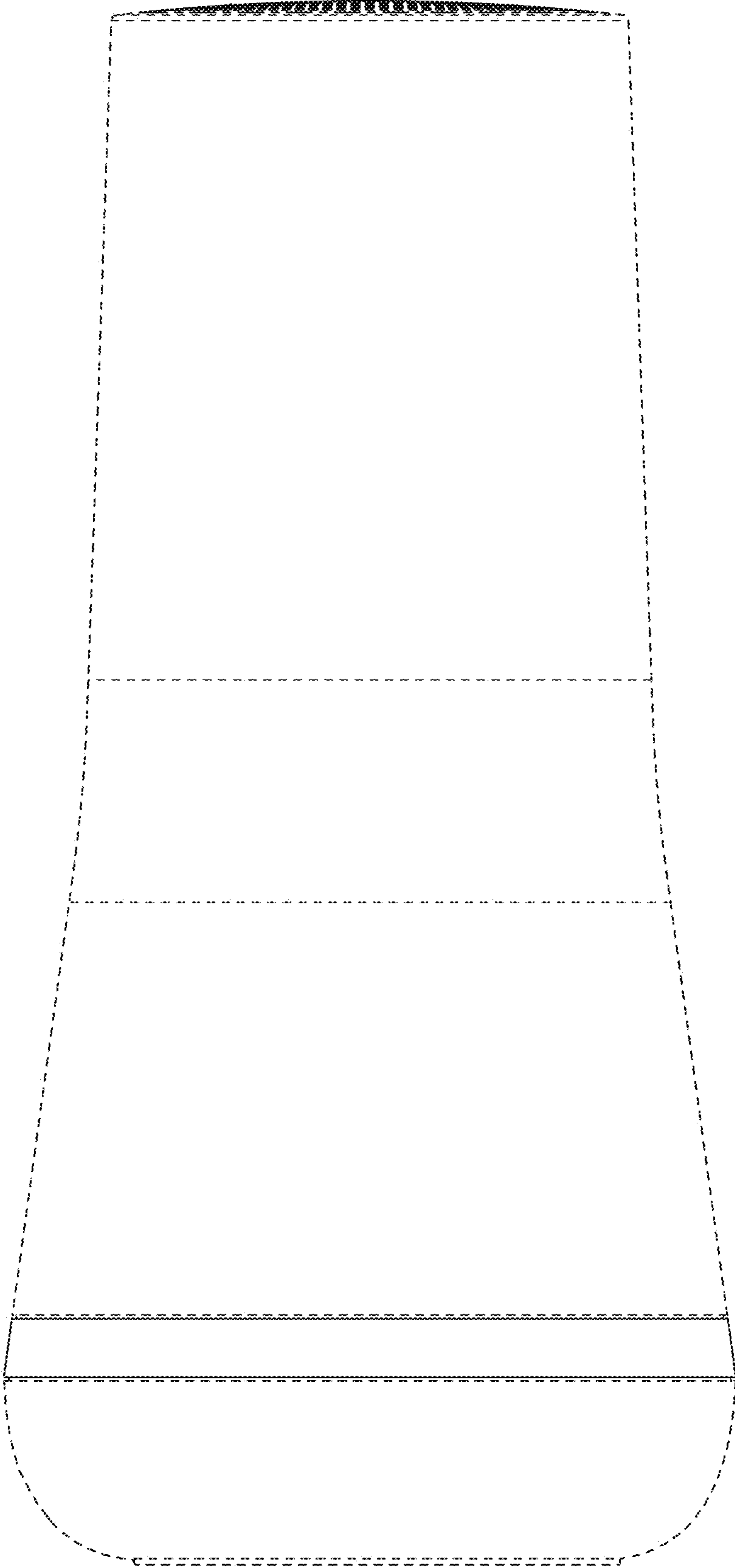


FIG. 6



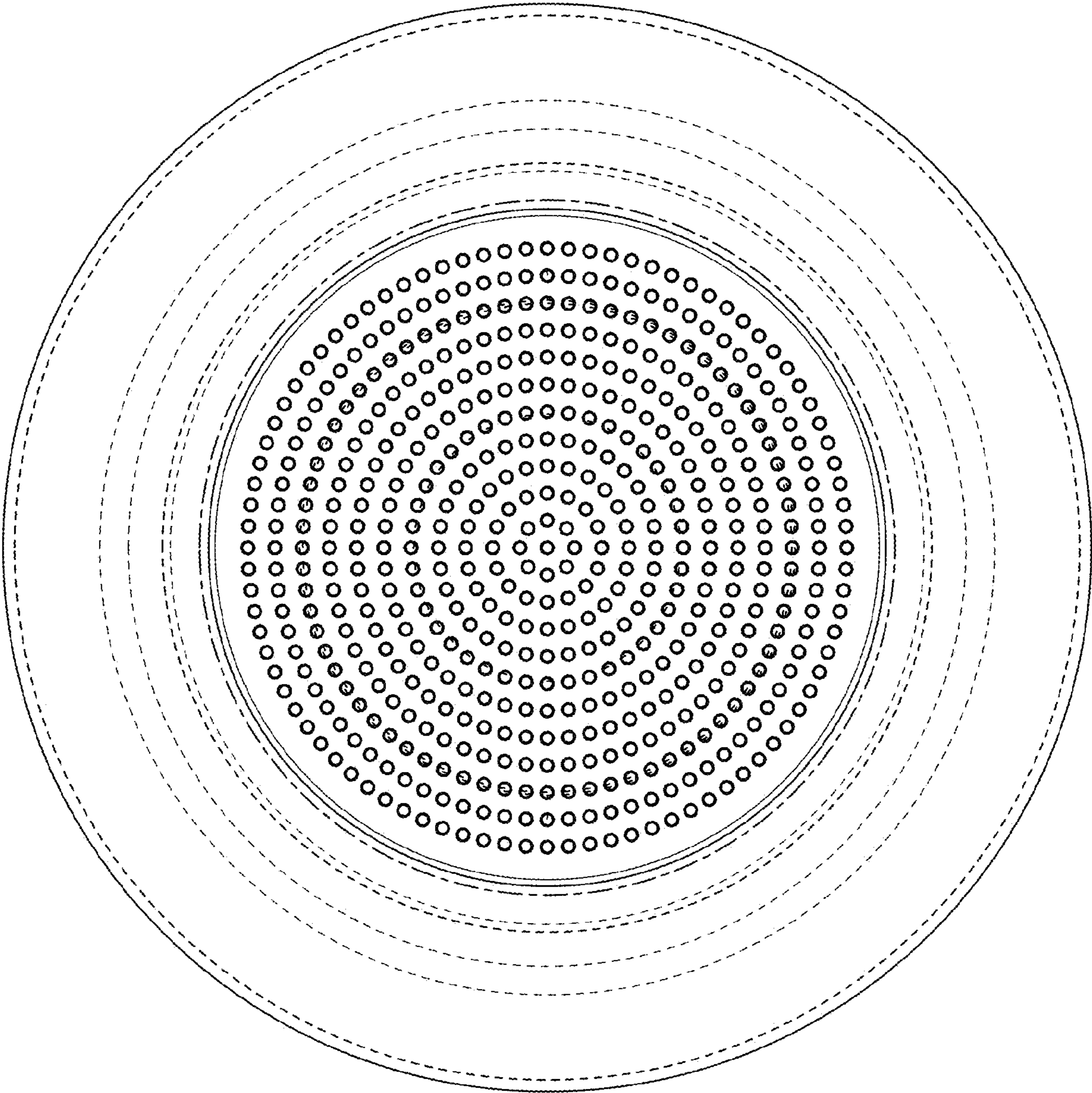


FIG. 7

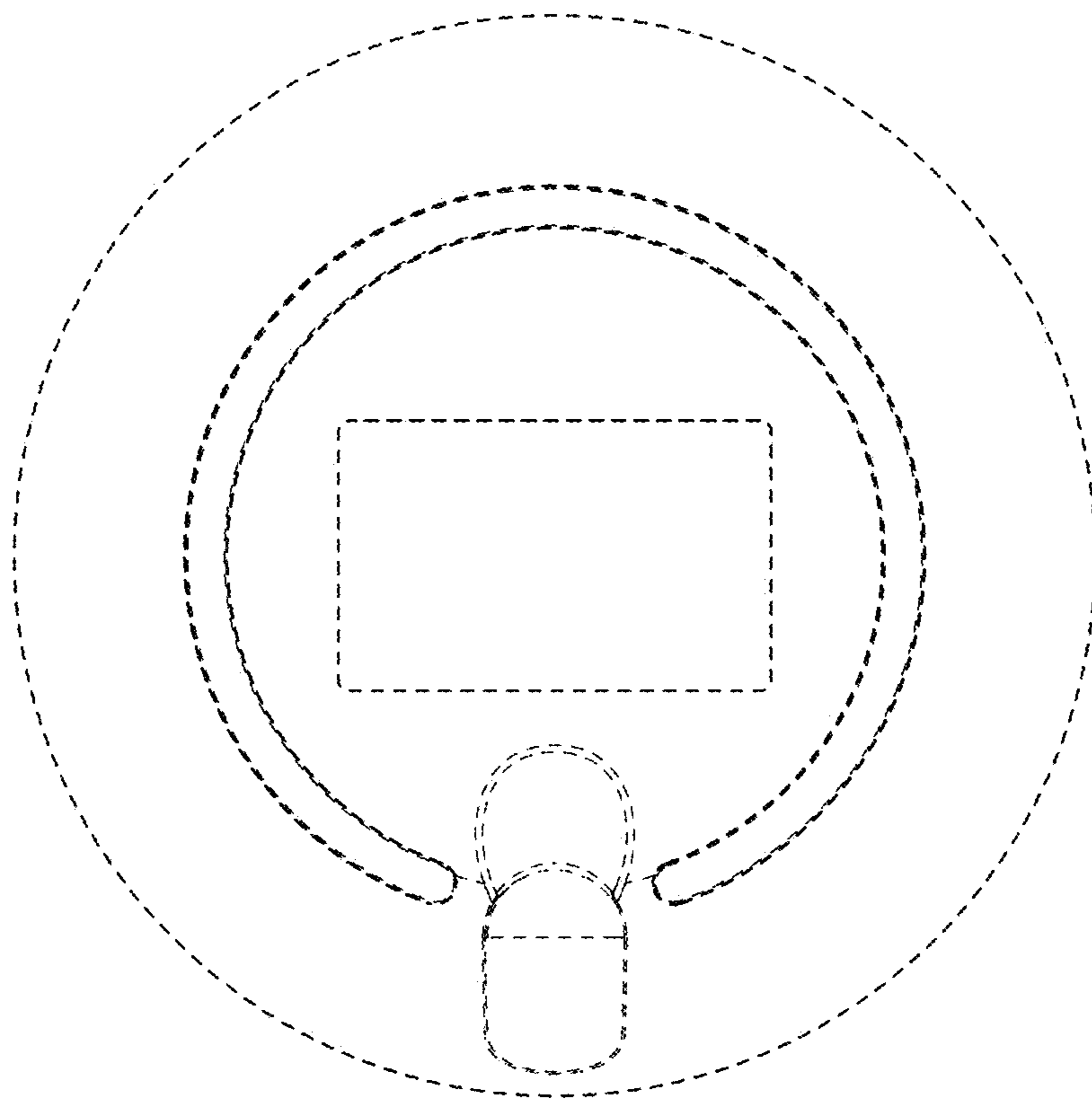


FIG. 8