



US00D919597S

(12) **United States Design Patent** (10) **Patent No.:** **US D919,597 S**
Amiya (45) **Date of Patent:** **** May 18, 2021**

- (54) **SPEAKER**
- (71) Applicant: **YAMAHA CORPORATION**,
Hamamatsu (JP)
- (72) Inventor: **Eizo Amiya**, Hamamatsu (JP)
- (73) Assignee: **YAMAHA CORPORATION**,
Hamamatsu (JP)
- (**) Term: **15 Years**
- (21) Appl. No.: **29/718,038**
- (22) Filed: **Dec. 20, 2019**
- (51) **LOC (13) Cl.** **14-01**
- (52) **U.S. Cl.**
USPC **D14/215**
- (58) **Field of Classification Search**
USPC D14/209–219, 167–172, 188, 199,
D14/194–196, 204, 221–222, 224, 496,
D14/265, 432–434; D21/516, 513, 324,
D21/478–480, 499; D13/168;
D23/332–336, 352, 355–366, 269,
D23/135–137; D26/135, 137, 22, 51, 9,
D26/93
CPC H04R 1/02; H04R 1/021; H04R 1/023;
H04R 5/00; H04R 9/06; H04R 2420/07
See application file for complete search history.

- (56) **References Cited**
U.S. PATENT DOCUMENTS
3,247,926 A * 4/1966 Metros H04R 1/2888
181/151
5,111,905 A * 5/1992 Rodgers H04R 1/2819
181/152
5,693,916 A * 12/1997 von Sprecken H04R 1/02
181/156
6,561,311 B2 * 5/2003 Chuang H04R 1/02
181/148
D542,777 S * 5/2007 Sato D14/172

- D628,553 S * 12/2010 Cho D14/168
- D645,453 S * 9/2011 Kim D14/215
- 8,256,566 B1 * 9/2012 Rodgers H04R 1/2826
181/156
- D678,245 S * 3/2013 Davies D14/215
- D730,318 S * 5/2015 Park D14/214
- 9,473,847 B2 * 10/2016 Shiozawa H04R 1/2888
- 2007/0000720 A1 * 1/2007 Noro H04R 1/2834
181/156
- 2008/0156575 A1 * 7/2008 Entner H04R 1/026
181/148

(Continued)

OTHER PUBLICATIONS

NS-3000 Speaker, europe.yamaha.com, [online], [site visited Jan. 4, 2021], Available from internet URL:https://europe.yamaha.com/en/products/audio_visual/speaker_systems/ns-3000/index.html (Year: 2021).*

(Continued)

Primary Examiner — Samantha Q Lawrence
Assistant Examiner — Holly M Rodriguez
(74) *Attorney, Agent, or Firm* — Sughrue Mion, PLLC

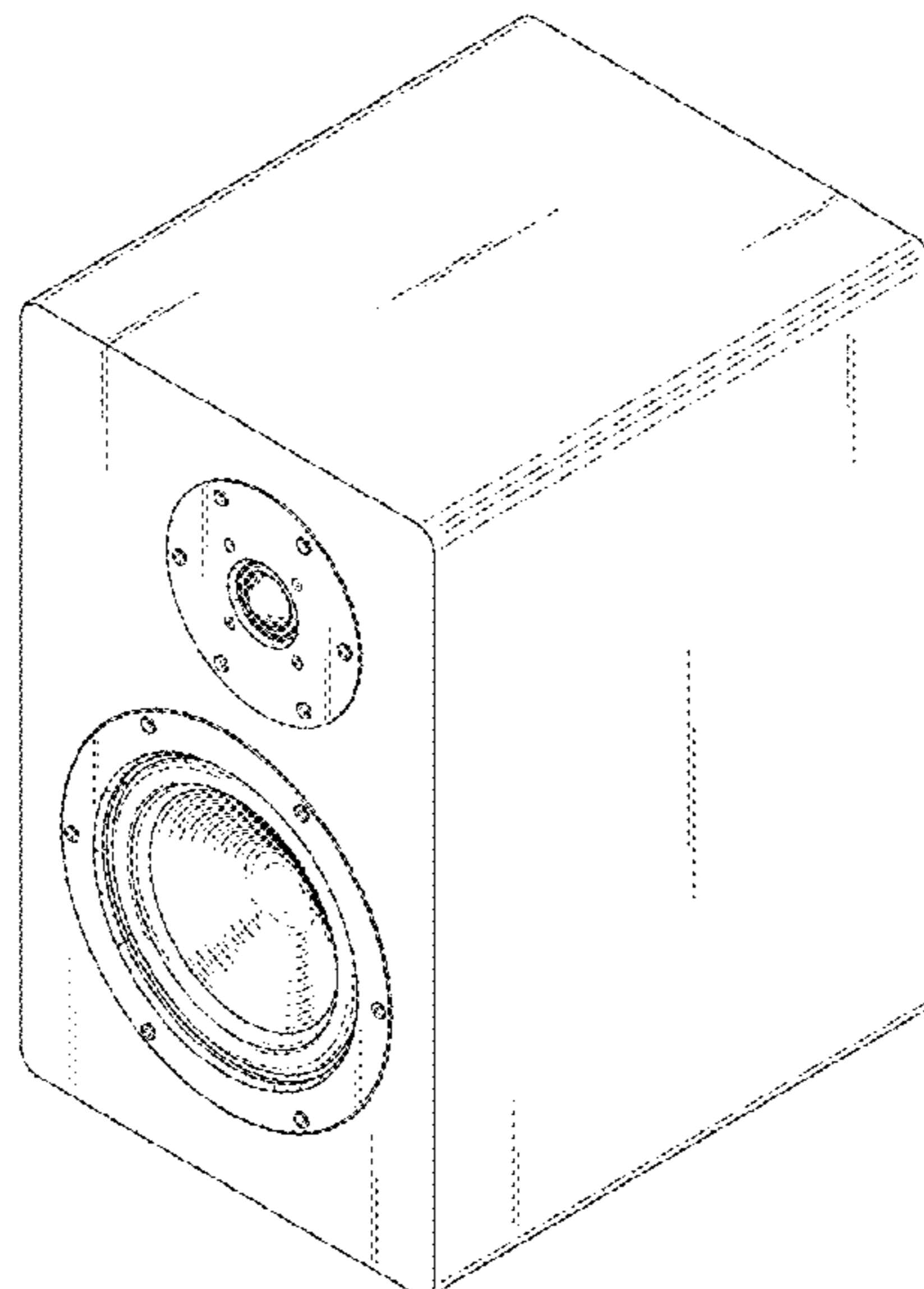
(57) **CLAIM**

The ornamental design for a speaker, as shown and described.

DESCRIPTION

FIG. 1 is a perspective view of the front, top and right side of a speaker showing my new design;
FIG. 2 is a front view thereof;
FIG. 3 is a rear view thereof;
FIG. 4 is a left side view thereof;
FIG. 5 is a right side view thereof;
FIG. 6 is a top view thereof; and,
FIG. 7 is a bottom view thereof.
The broken lines shown in FIGS. 1-7 illustrate portions of the speaker that form no part of the claimed design.

1 Claim, 7 Drawing Sheets



(56)

References Cited

U.S. PATENT DOCUMENTS

2010/0027828 A1* 2/2010 Vercelli H04R 1/2826
381/345
2010/0163335 A1* 7/2010 Jiang H04R 1/02
181/199
2015/0373469 A1* 12/2015 Pan H04R 29/001
381/59
2016/0205466 A1* 7/2016 Lim H04R 1/023
381/354

OTHER PUBLICATIONS

Yamaha NS-3000 speakers, first available Apr. 17, 2020, <https://www.whathifi.com/>, [online], [site visited Jan. 4, 2021], Available from internet URL:<https://www.whathifi.com/us/news/yamaha-ns-3000-speakers-bring-flagship-design-to-lower-price> (Year: 2020).*

* cited by examiner

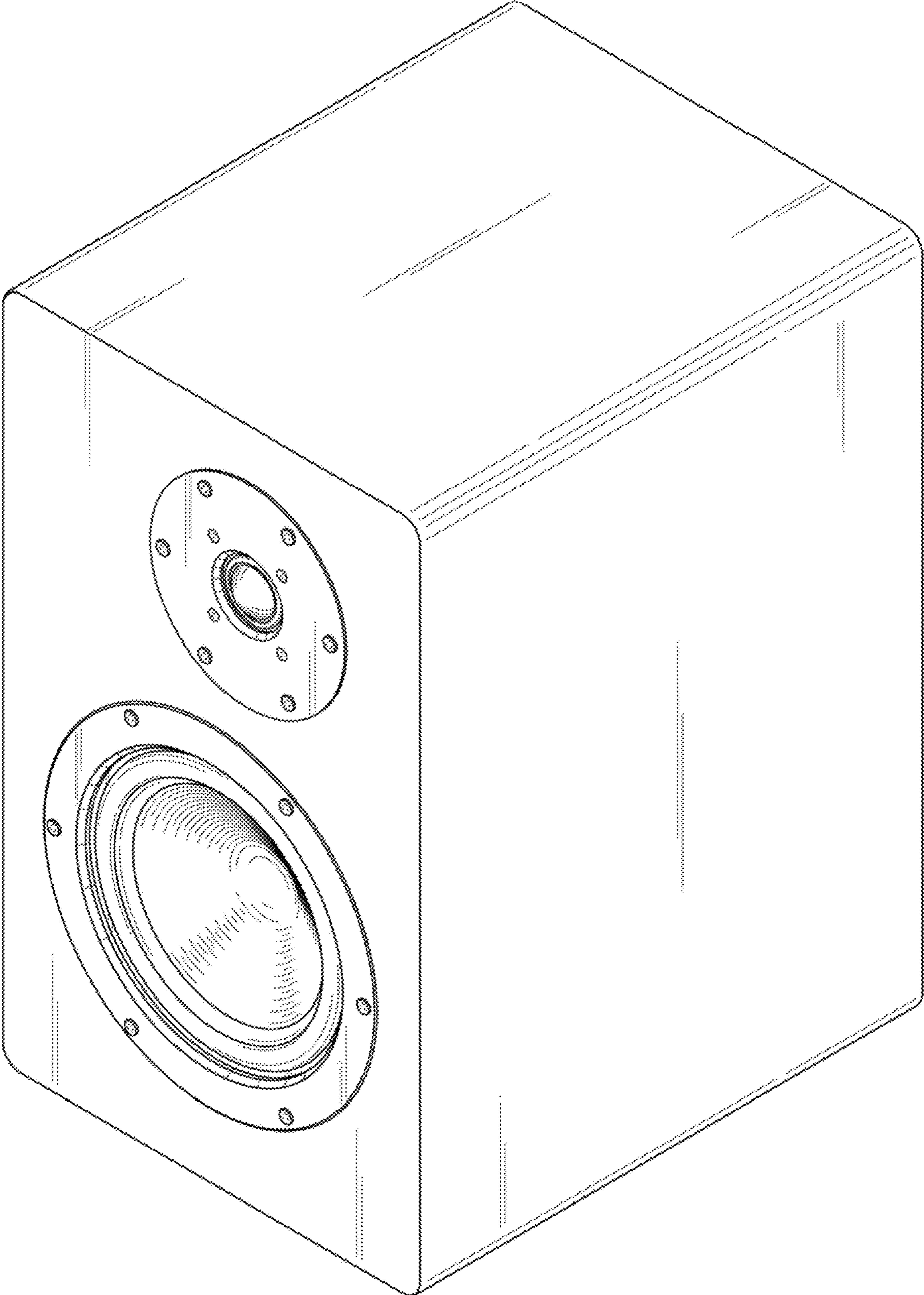


FIG. 1

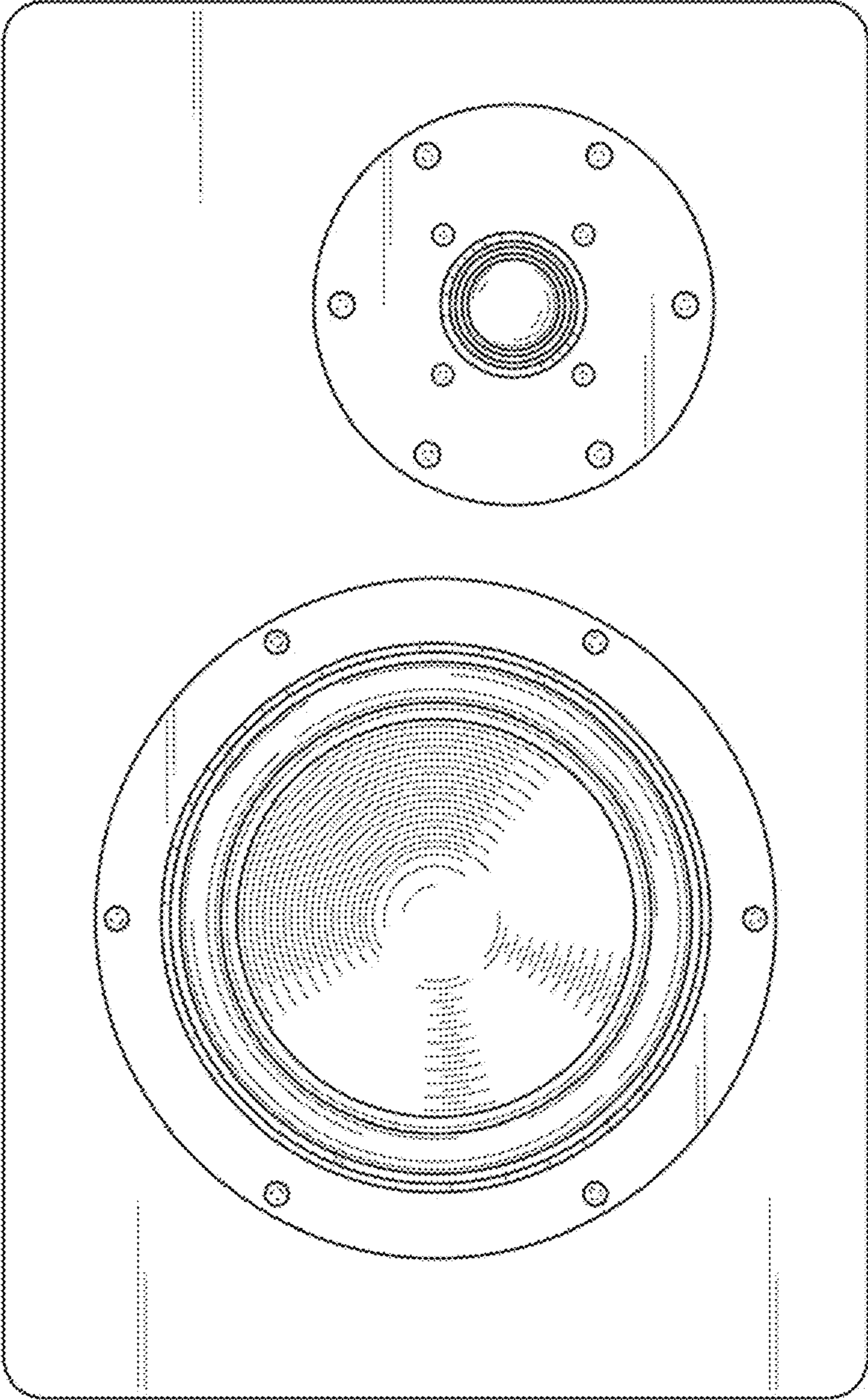


FIG. 2

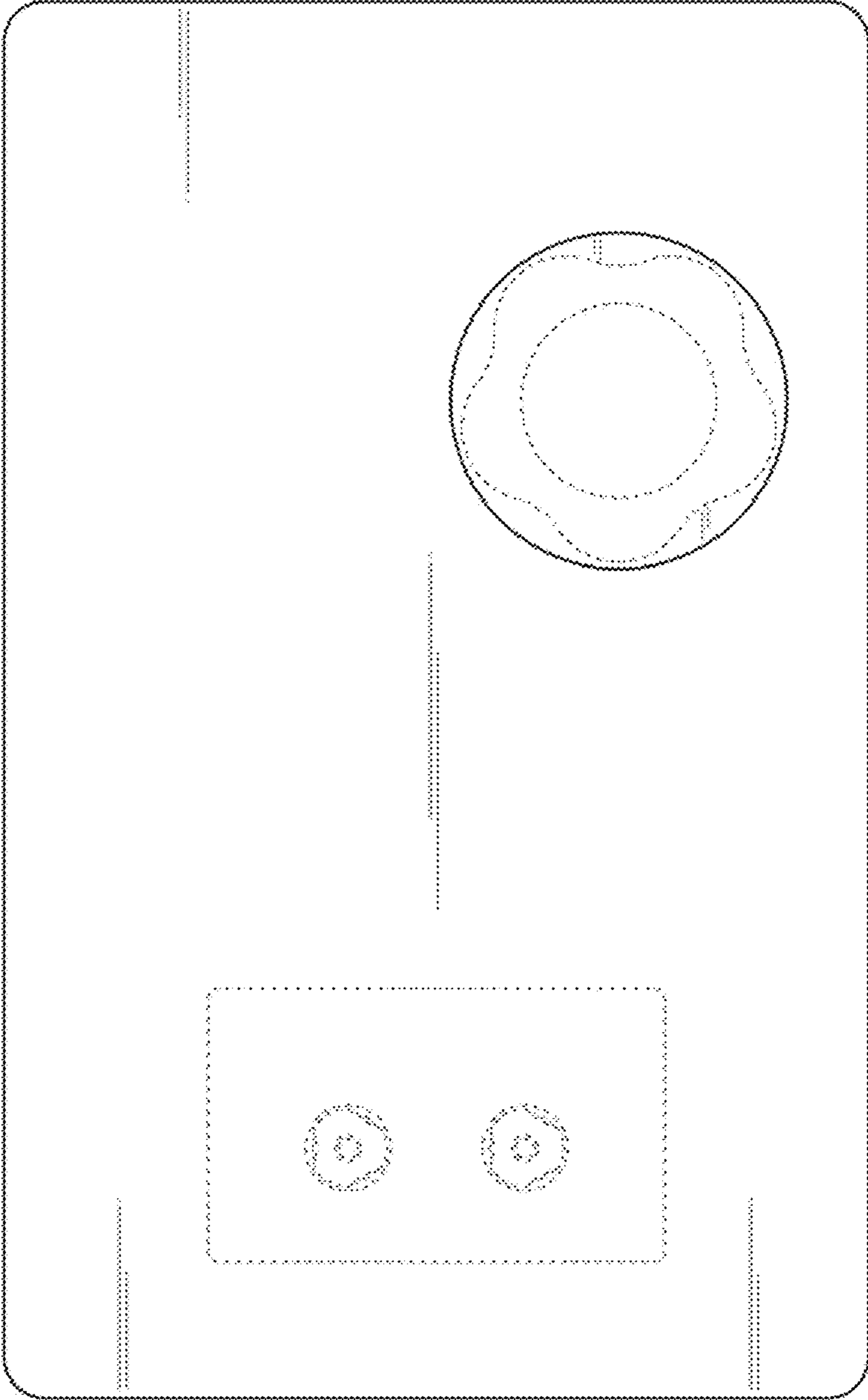


FIG. 3

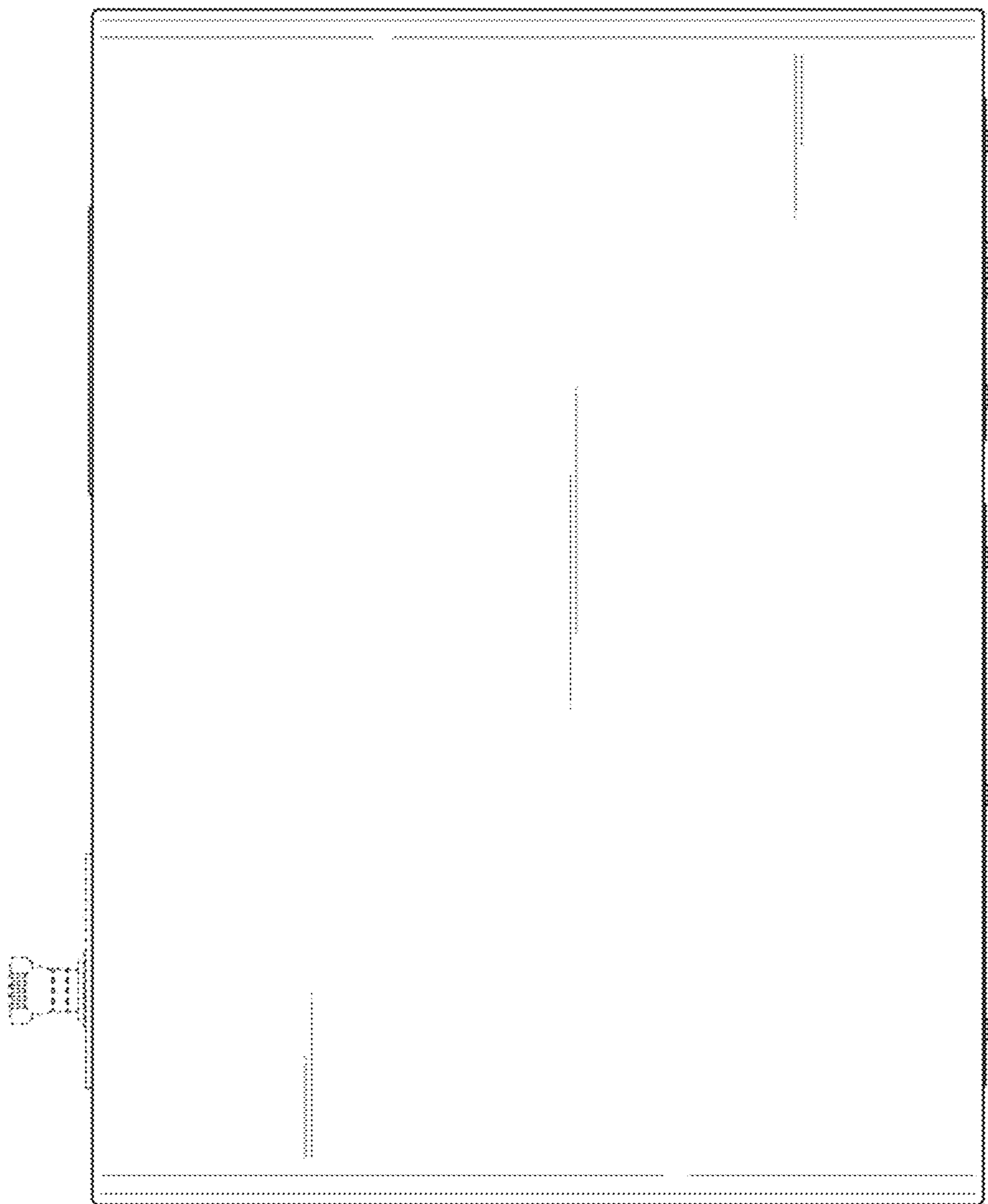


FIG. 4

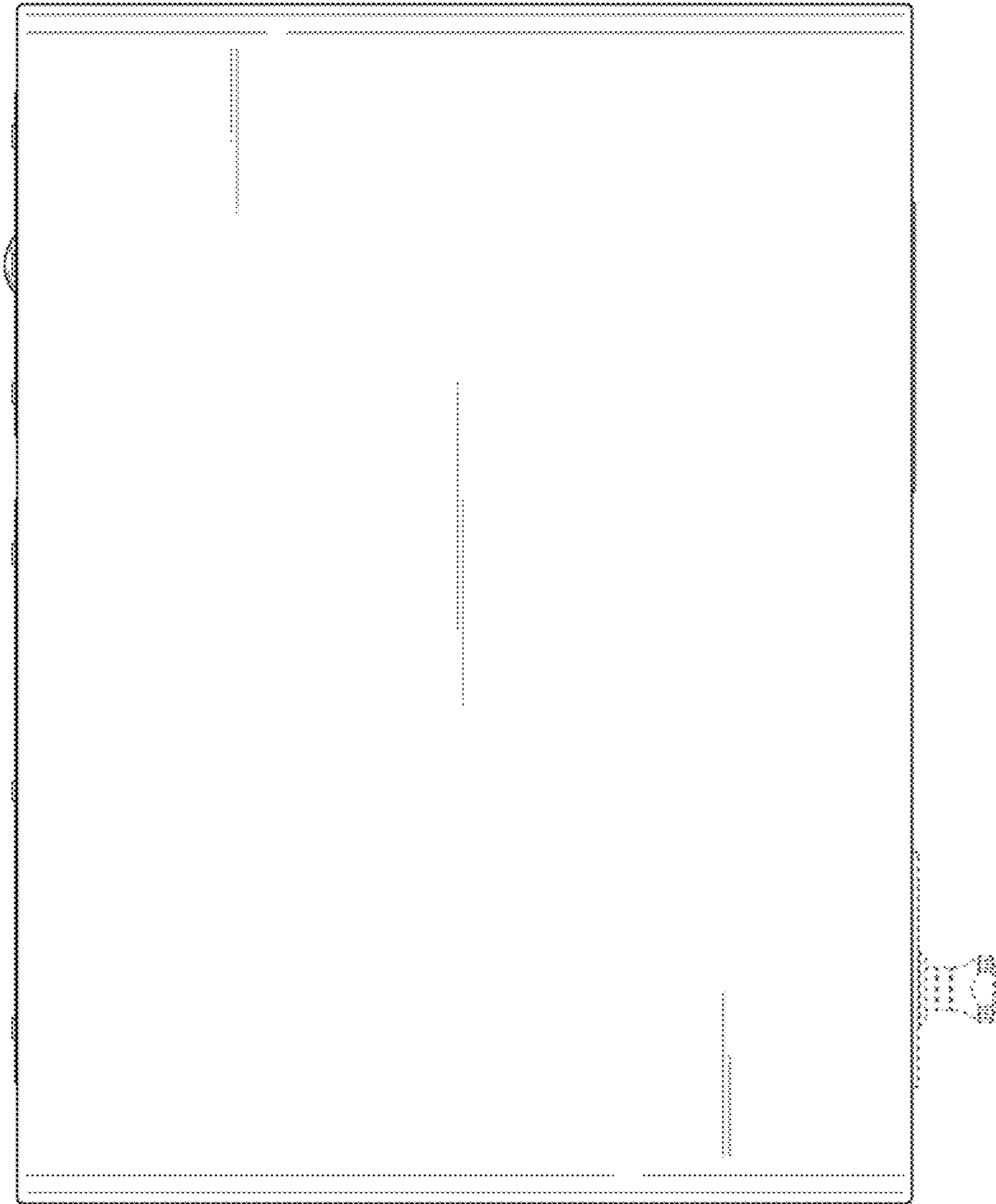


FIG. 5

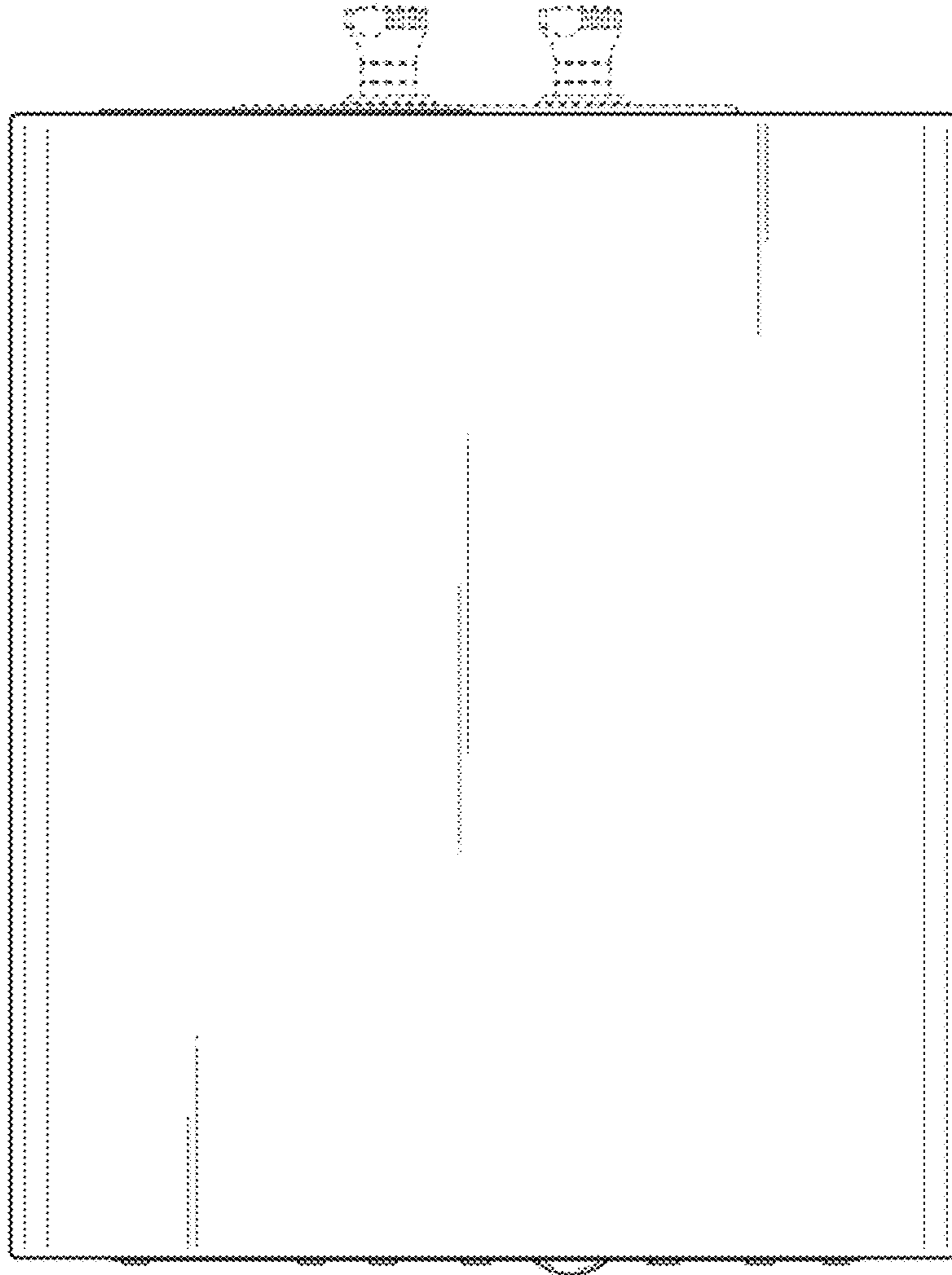


FIG. 6

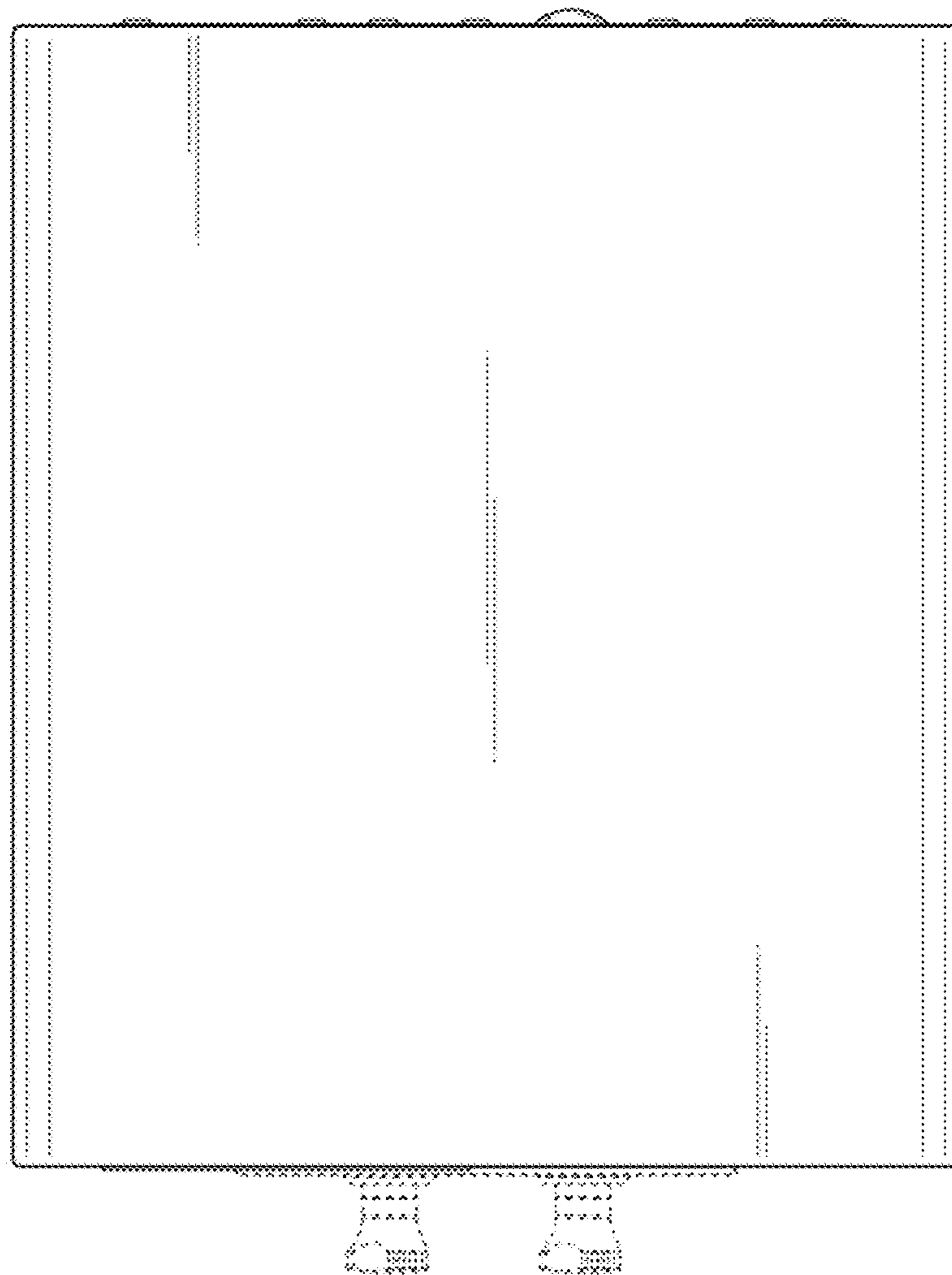


FIG. 7