



US00D919596S

(12) **United States Design Patent**
Chan

(10) **Patent No.:** **US D919,596 S**

(45) **Date of Patent:** **** May 18, 2021**

- (54) **SPEAKER**
- (71) Applicant: **KYE SYSTEMS CORP.**, New Taipei (TW)
- (72) Inventor: **Chi-Wai Chan**, New Taipei (TW)
- (73) Assignee: **KYE SYSTEMS CORP.**, New Taipei (TW)
- (**) Term: **15 Years**
- (21) Appl. No.: **29/701,820**
- (22) Filed: **Aug. 15, 2019**
- (51) **LOC (13) Cl.** **14-01**
- (52) **U.S. Cl.**
USPC **D14/214**
- (58) **Field of Classification Search**
USPC D14/214, 215, 216, 188, 159, 137, 207,
D14/209.1, 210–213, 219, 204; 181/145,
181/155; 381/386, 387, 388, 182, 180,
381/185, 186, 188, 189, 205
CPC . H04R 25/00; H04R 1/02; H04R 9/06; H04R
5/02; H05K 5/00
See application file for complete search history.

4,006,308 A *	2/1977	Ponggen	H04R 1/26 381/387
4,214,645 A *	7/1980	Plourde	H04R 1/02 181/148
D263,394 S *	3/1982	Szabo	D14/214
D282,255 S *	1/1986	Ross	D14/214
D381,335 S *	7/1997	Whitehead	D14/204
D631,867 S *	2/2011	Arneson	D14/214
D644,627 S *	9/2011	Garrett	D14/214
D655,691 S *	3/2012	Stewart, Jr.	D14/214
D659,676 S *	5/2012	Aquillano	D14/214
D660,286 S *	5/2012	Lee	D14/214
D778,872 S *	2/2017	Yang	D14/204
D813,840 S *	3/2018	Rabinowitz	D14/215

FOREIGN PATENT DOCUMENTS

EM	003311794-0004	*	7/2016
EM	005323458-0003	*	6/2018

* cited by examiner

Primary Examiner — Paula Allen Greene
(74) *Attorney, Agent, or Firm* — Bruce Stone LLP;
Joseph A. Bruce

(57) **CLAIM**

The ornamental design for a speaker, as shown.

DESCRIPTION

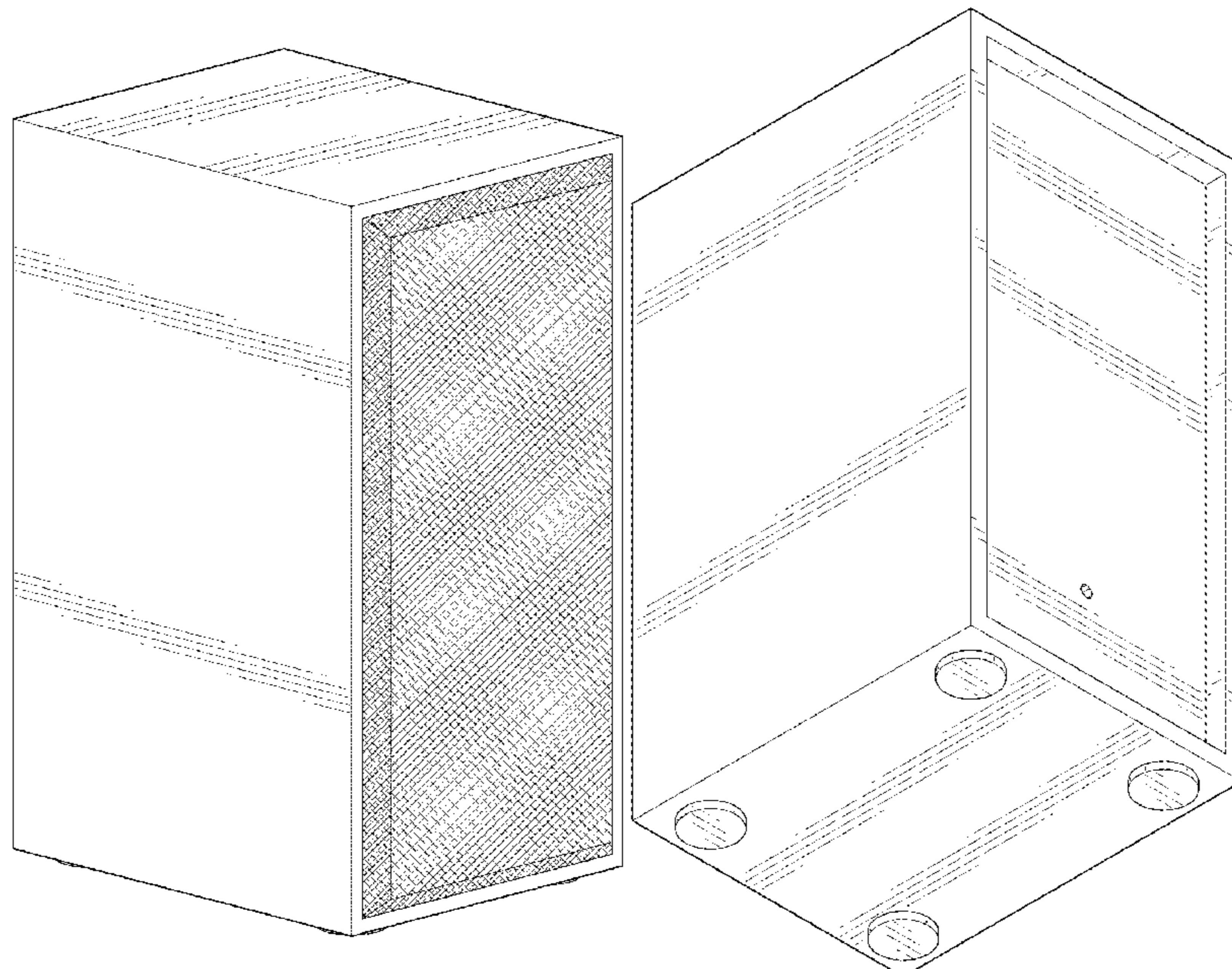
FIG. 1 is a front perspective view of a speaker showing my new design;
FIG. 2 is a rear perspective view thereof;
FIG. 3 is a front elevational view thereof;
FIG. 4 is a rear elevational view thereof;
FIG. 5 is a left side elevational view thereof;
FIG. 6 is a right-side elevational view thereof;
FIG. 7 is a top plan view thereof; and,
FIG. 8 is a bottom plan view thereof.

1 Claim, 7 Drawing Sheets

(56) **References Cited**

U.S. PATENT DOCUMENTS

1,839,714 A *	1/1932	Tauscher	H04R 1/2865 181/155
2,544,742 A *	3/1951	Volf	H04R 1/403 181/145
2,917,856 A *	12/1959	Soloff	A47G 1/12 428/13
3,150,739 A *	9/1964	Dones	H04R 1/2834 181/147
3,360,072 A *	12/1967	Carlsson	H04R 1/323 181/147



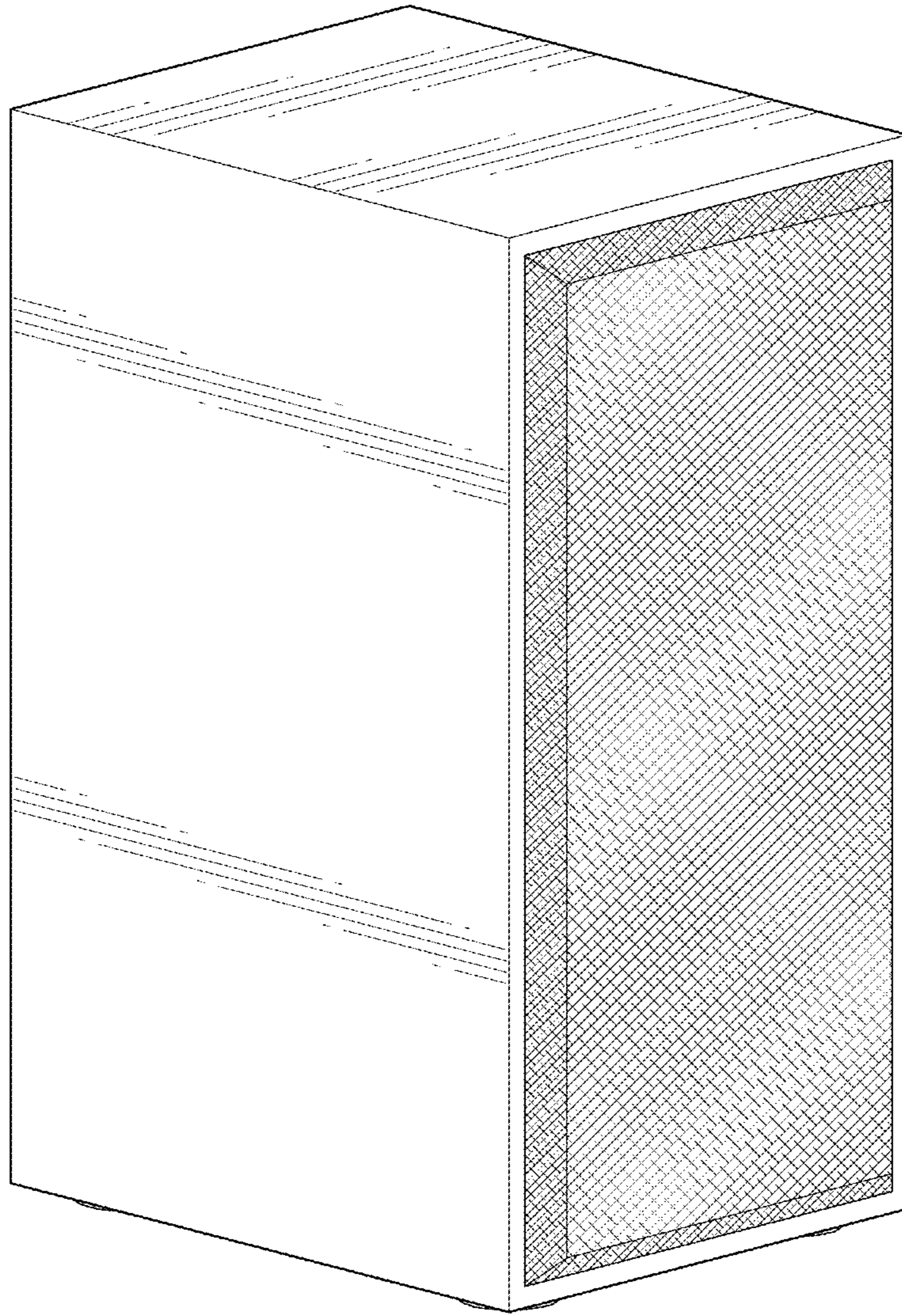


FIG. 1

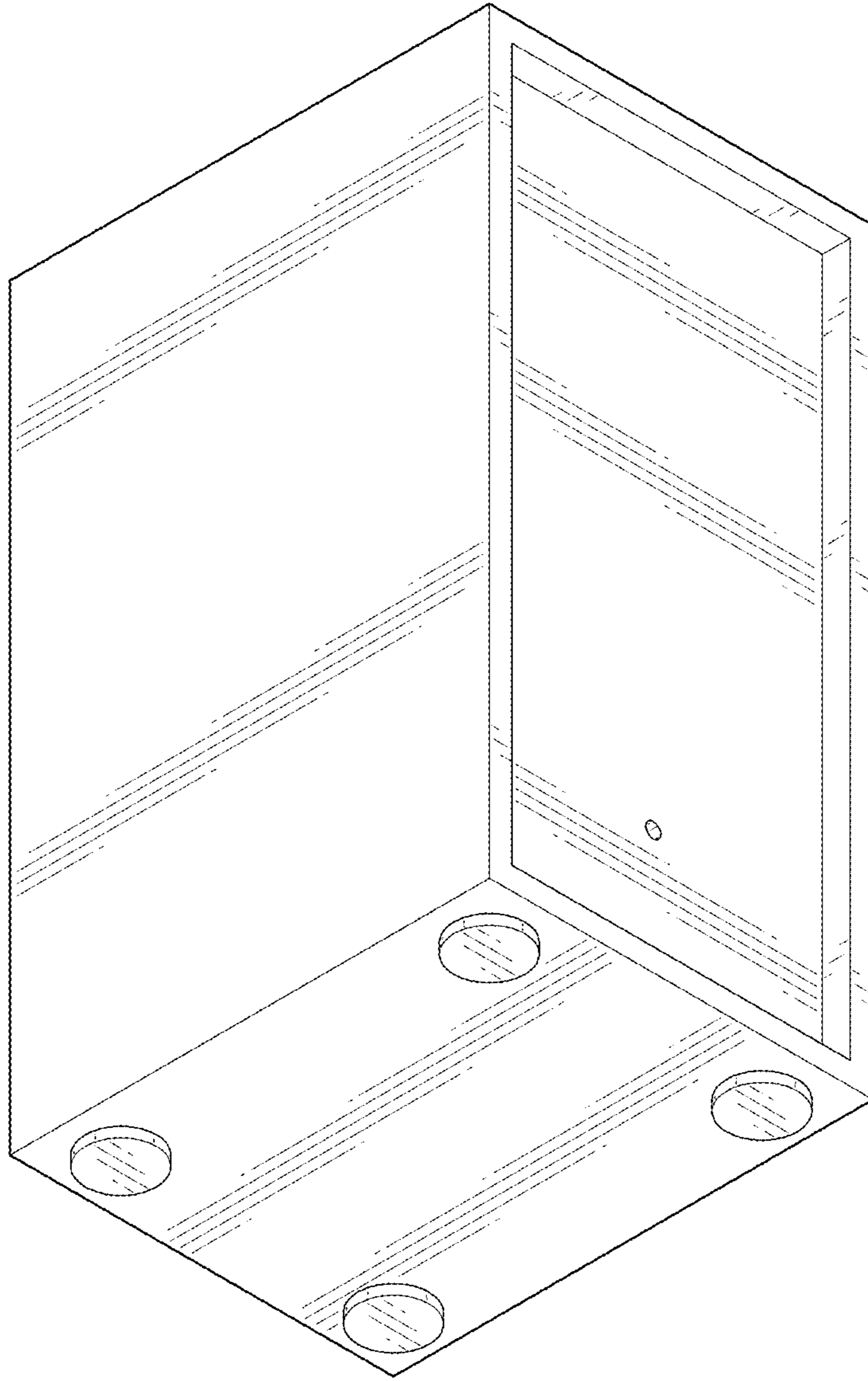


FIG.2

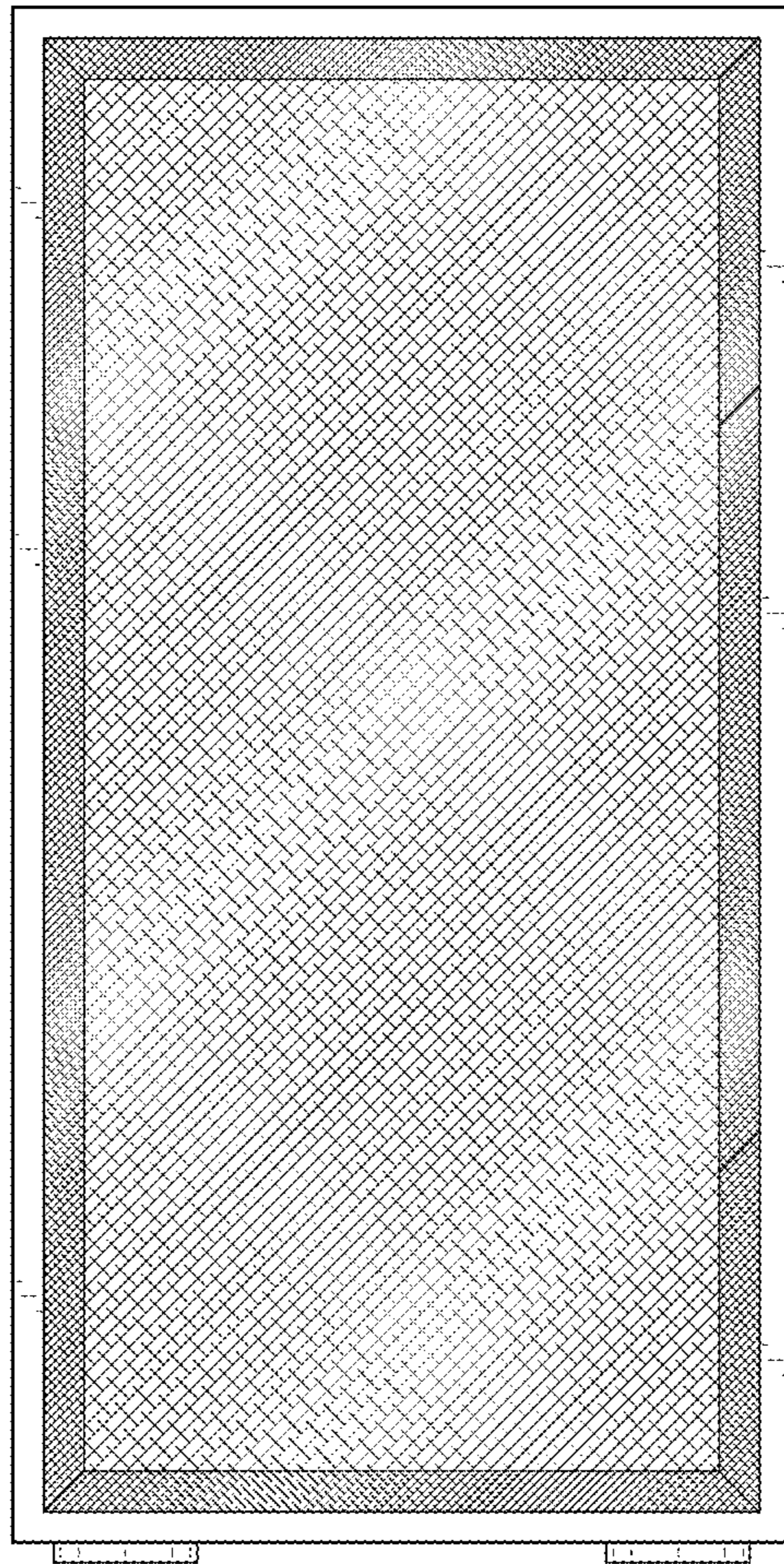


FIG.3

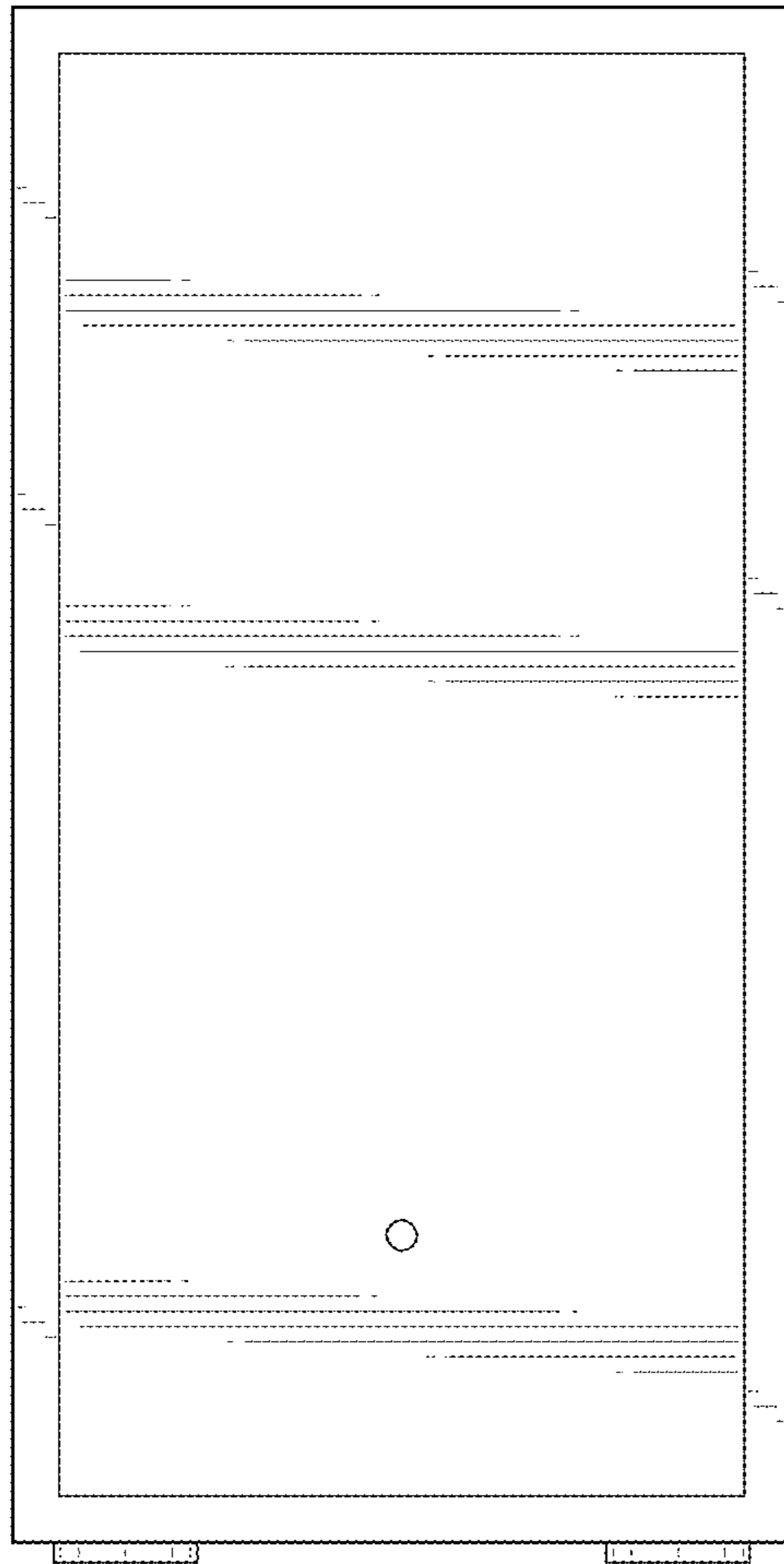


FIG.4

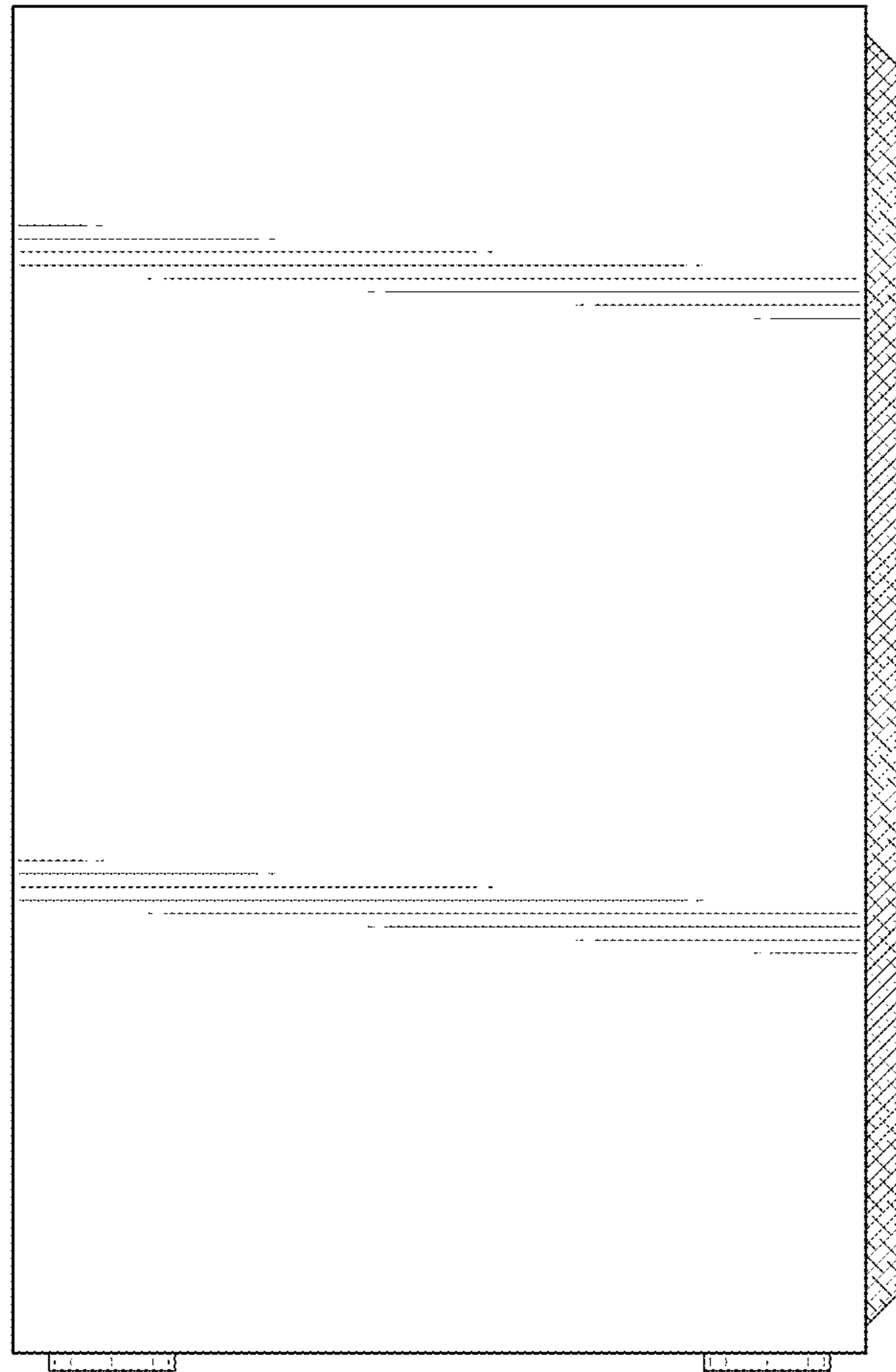


FIG. 5

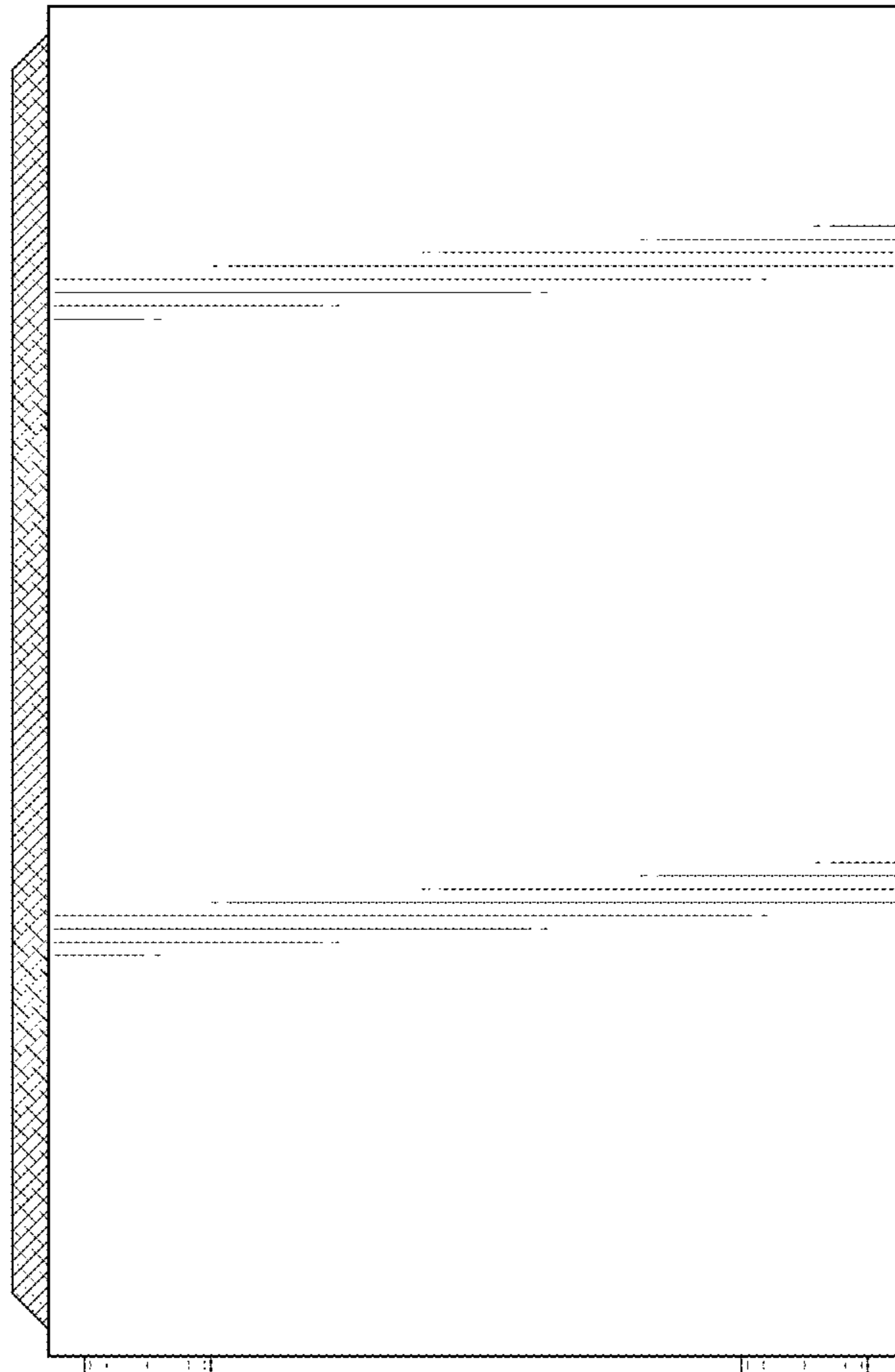


FIG.6

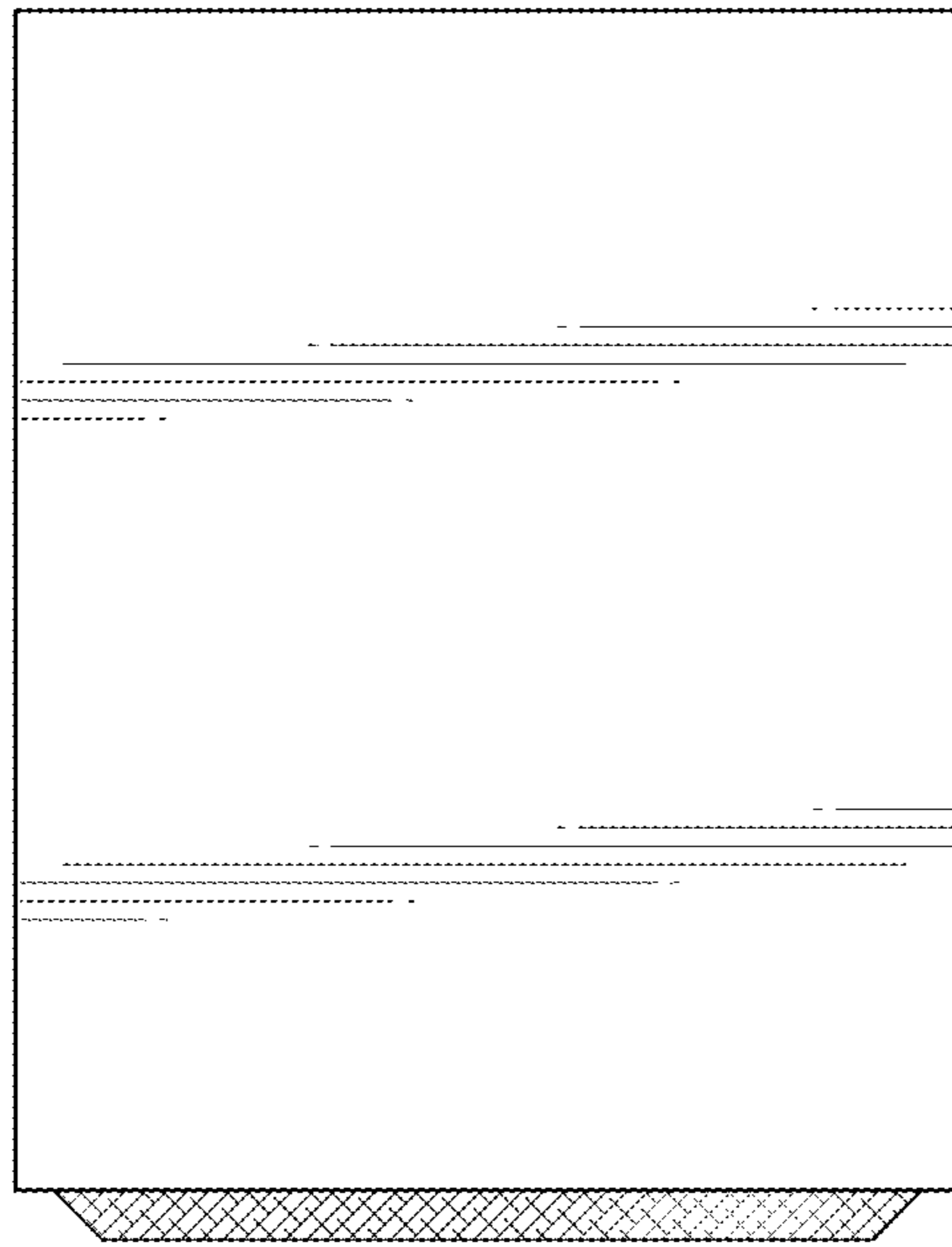


FIG. 7

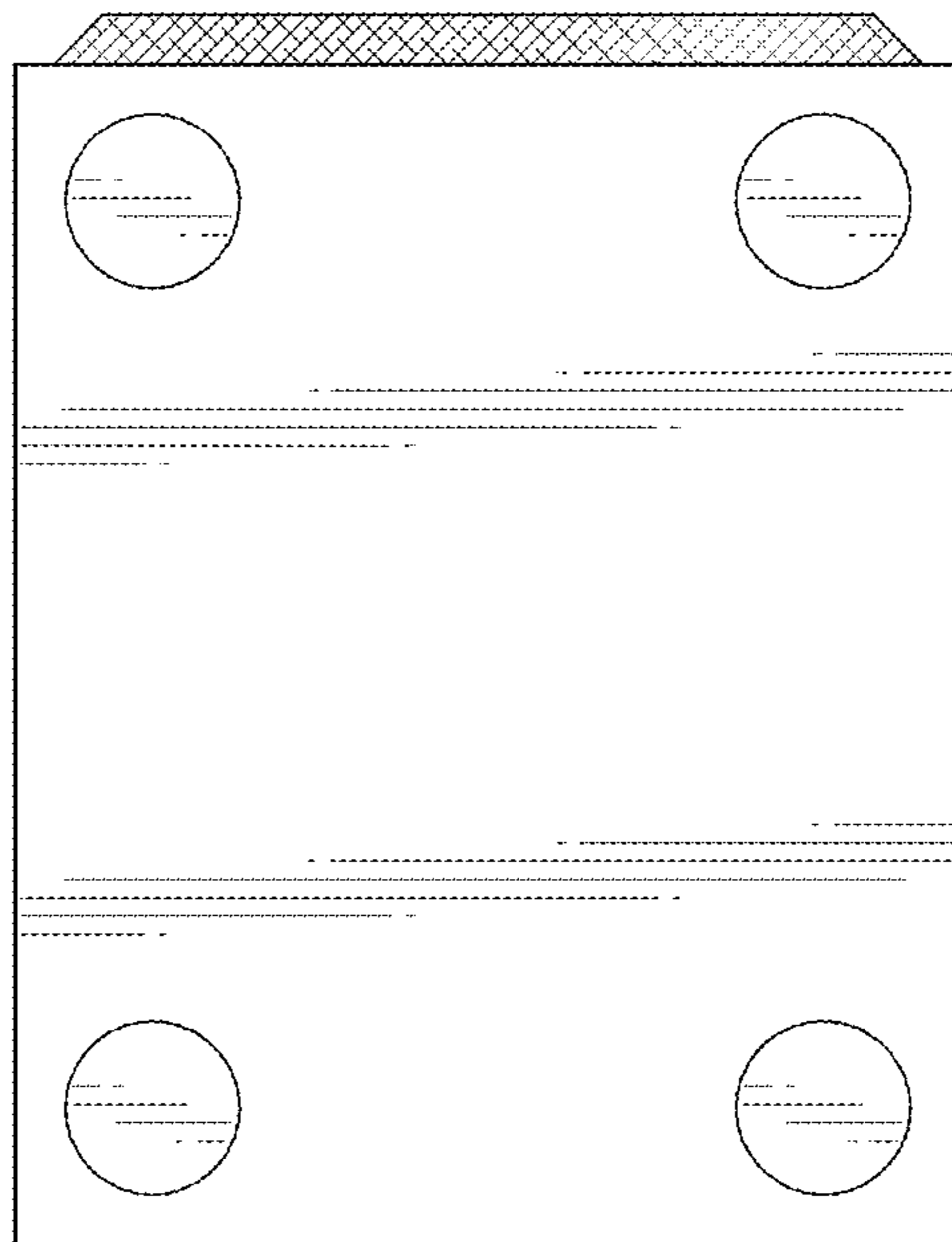


FIG. 8