



US00D919590S

(12) **United States Design Patent** (10) **Patent No.:** **US D919,590 S**  
**Ekamby** (45) **Date of Patent:** **\*\* May 18, 2021**

(54) **SPEAKER**

(71) Applicant: **Germain Ekamby**, Alpharetta, GA  
(US)

(72) Inventor: **Germain Ekamby**, Alpharetta, GA  
(US)

(\*\*) Term: **15 Years**

(21) Appl. No.: **29/695,538**

(22) Filed: **Jun. 20, 2019**

(51) **LOC (13) Cl.** ..... **14-01**

(52) **U.S. Cl.**  
USPC ..... **D14/204**

(58) **Field of Classification Search**  
USPC ..... D14/170-172, 188, 203.1, 203.3, 204,  
D14/348  
CPC . H04R 1/02; H04R 1/023; H04R 5/02; H04R  
7/00; H04R 7/02; H04R 9/06; H04R  
2400/00  
See application file for complete search history.

(56) **References Cited**

**U.S. PATENT DOCUMENTS**

D223,580 S \* 5/1972 Richards ..... D14/215  
D491,914 S \* 6/2004 Lee ..... D14/188

D505,941 S \* 6/2005 Hirano ..... D14/215  
D686,186 S \* 7/2013 Kaneko ..... D14/168  
D698,753 S \* 2/2014 Yiu ..... D14/216  
D715,765 S \* 10/2014 Kim ..... D14/209.1  
D719,137 S \* 12/2014 Cheng ..... D14/216  
D770,534 S \* 11/2016 Thissen ..... D14/496  
D783,581 S \* 4/2017 Kim ..... D14/242  
D793,993 S \* 8/2017 Song ..... D14/214  
D798,806 S \* 10/2017 Soriano ..... D13/108  
D798,839 S \* 10/2017 Yeon ..... D14/216

\* cited by examiner

*Primary Examiner* — Janice Patyk

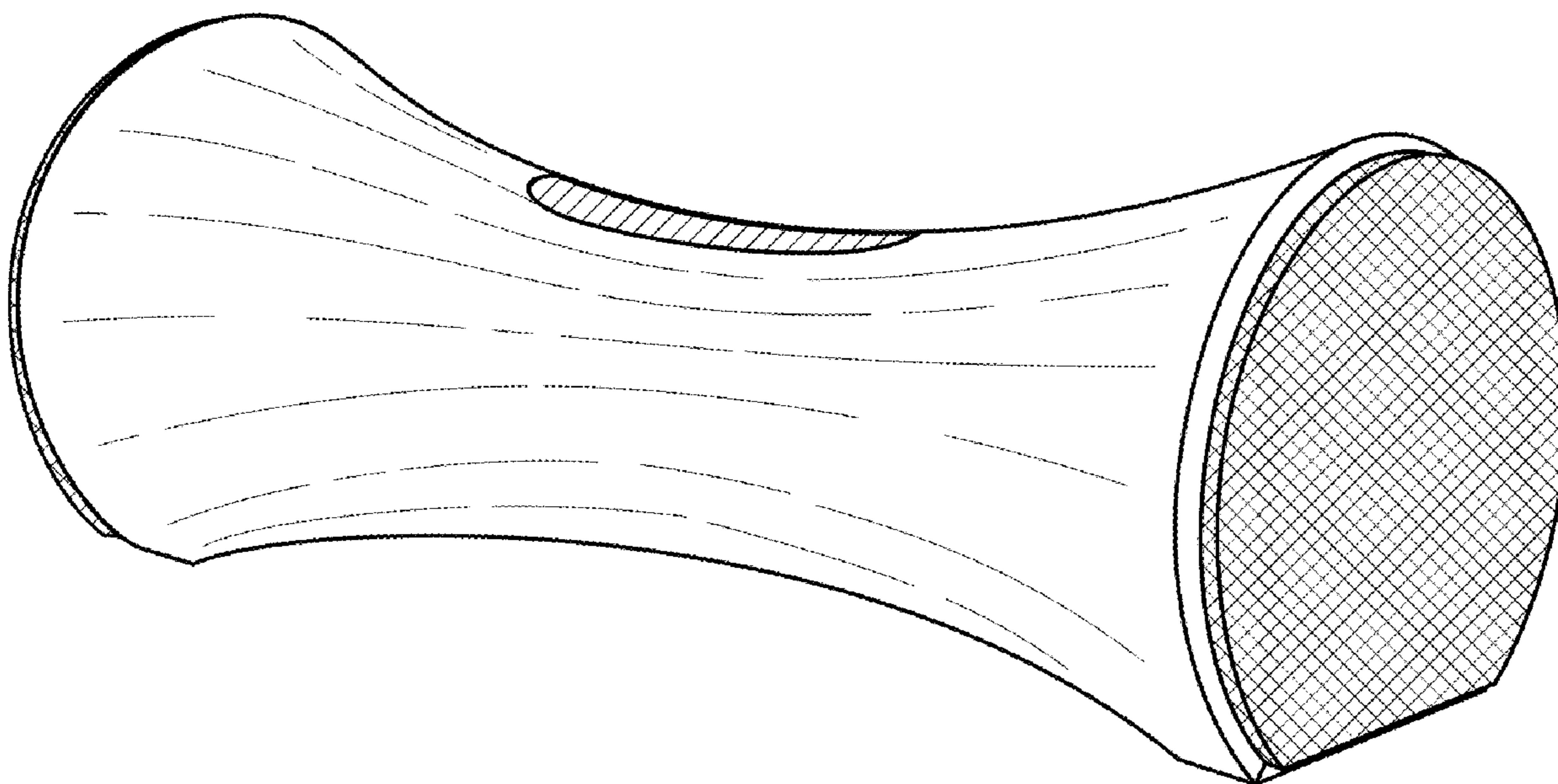
(57) **CLAIM**

The ornamental design for a speaker, as shown and described.

**DESCRIPTION**

This design application is related to U.S. design application Ser. No. 29/613,307, filed Sep. 9, 2017, entitled Speaker and by the same inventor and now abandoned. FIG. 1 is a side view of a speaker, showing my new design. FIG. 2 is a top view thereof; and, FIG. 3 is a top perspective view thereof.

**1 Claim, 2 Drawing Sheets**



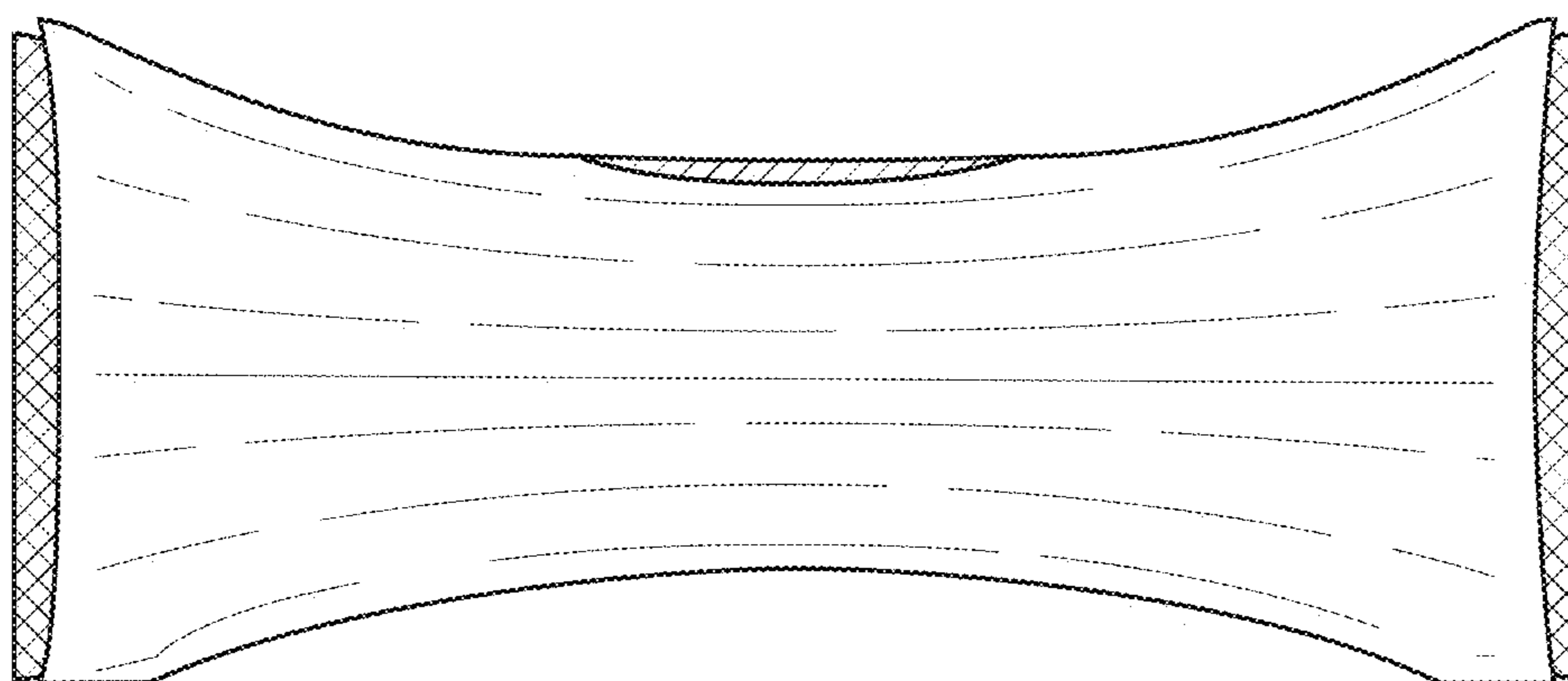


FIG. 1

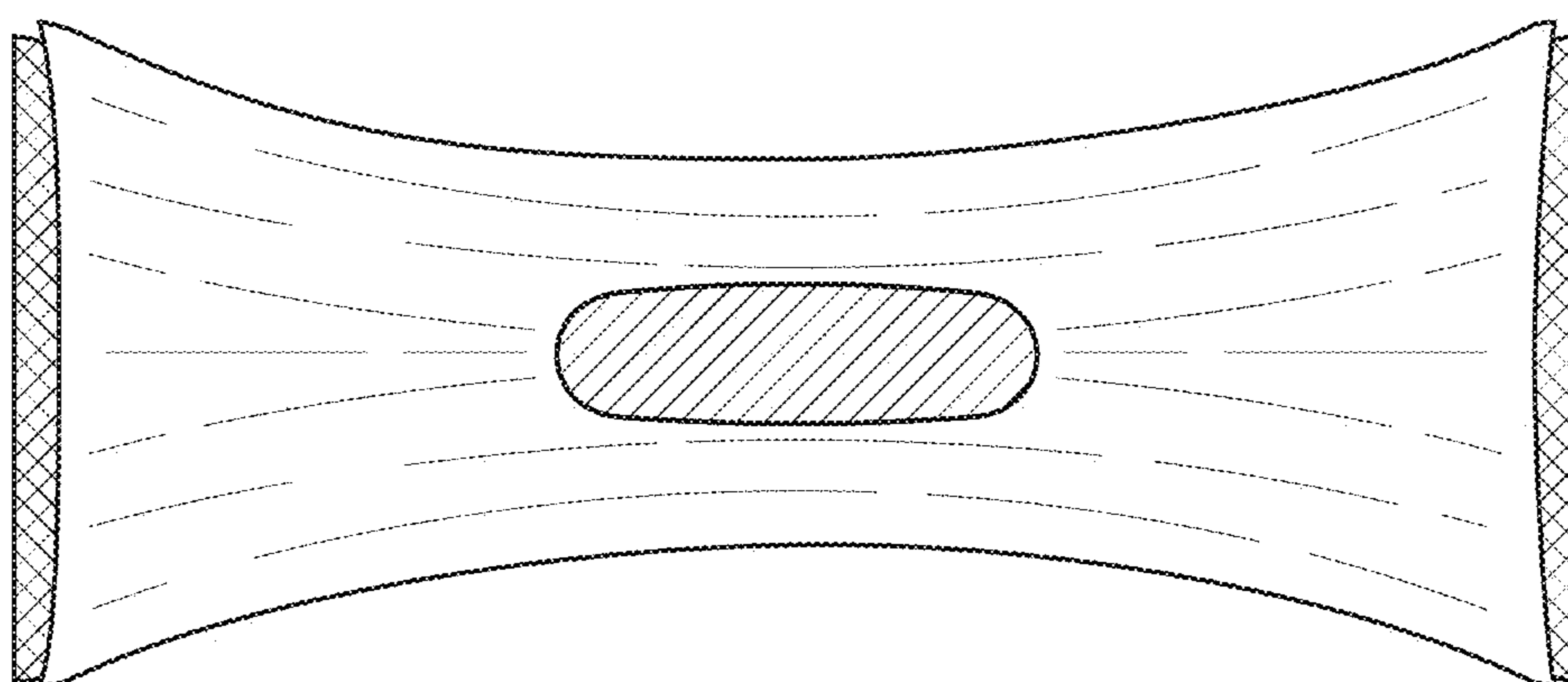


FIG. 2

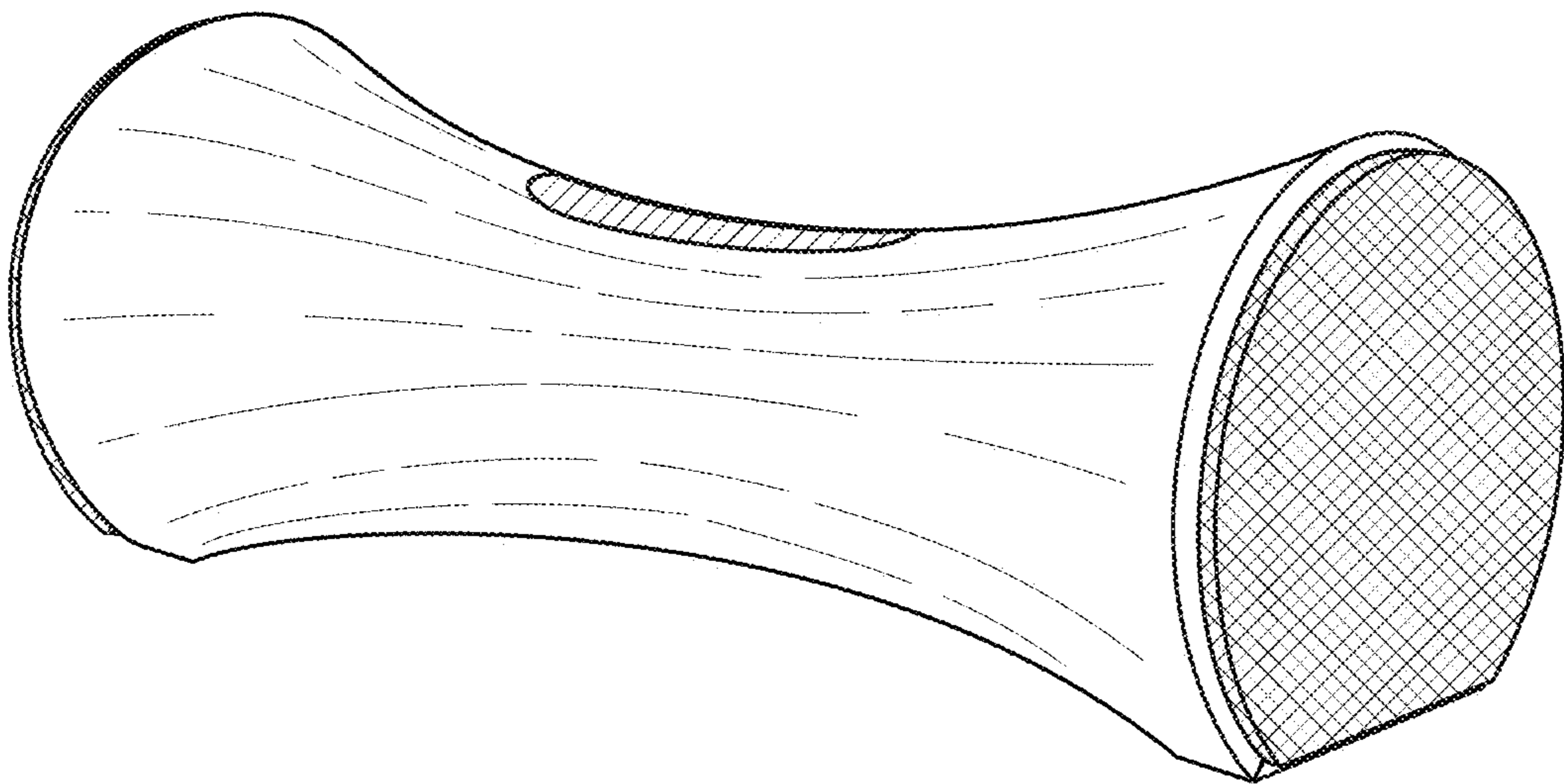


FIG. 3