



US00D919586S

(12) **United States Design Patent** (10) **Patent No.:** **US D919,586 S**
Lim et al. (45) **Date of Patent:** **** May 18, 2021**

(54) **TELEVISION RECEIVER**

(56) **References Cited**

(71) Applicant: **LG ELECTRONICS INC.**, Seoul (KR)
(72) Inventors: **Jaewon Lim**, Seoul (KR); **Yongho Lee**, Seoul (KR); **Kyeongchul Cho**, Seoul (KR)
(73) Assignee: **LG ELECTRONICS INC.**, Seoul (KR)

U.S. PATENT DOCUMENTS

D561,712 S *	2/2008	Chu	D14/126
D692,403 S *	10/2013	Takami	D14/126
D700,586 S *	3/2014	Kim	D14/126
D703,168 S *	4/2014	Won	D14/126
D714,238 S *	9/2014	Kim	D14/126
D719,119 S *	12/2014	Park	D14/126
D720,315 S *	12/2014	Kim	D14/126
D722,033 S *	2/2015	Kim	D14/126
D722,989 S *	2/2015	Park	D14/126
D733,082 S *	6/2015	Hwangbo	D14/126
D748,596 S *	2/2016	McManigal	D14/126
D751,519 S *	3/2016	Ma	D14/126
D754,086 S *	4/2016	Valeur	D14/126
D755,140 S *	5/2016	Kim	D14/126
D756,945 S *	5/2016	Kim	D14/126
D768,100 S *	10/2016	Seo	D14/126
D772,830 S *	11/2016	Kim	D14/126

(**) Term: **15 Years**

(21) Appl. No.: **35/508,644**

(22) Filed: **Aug. 19, 2019**

(80) **Hague Agreement Data**

Int. Filing Date: **Aug. 19, 2019**
Int. Reg. No.: **DM/204214**
Int. Reg. Date: **Aug. 19, 2019**
Int. Reg. Pub. Date: **Feb. 14, 2020**

(Continued)

Primary Examiner — Richard E Chilcot
(74) *Attorney, Agent, or Firm* — Birch, Stewart, Kolasch & Birch LLP

(30) **Foreign Application Priority Data**

Feb. 20, 2019 (KR) 30-2019-0007711

(51) **LOC (13) Cl.** **14-03**

(52) **U.S. Cl.**
USPC **D14/126**
CPC **B64D 11/00154** (2014.12)

(58) **Field of Classification Search**
USPC D14/125–137, 140.11, 217, 239, D14/314–316, 322, 326, 334–336, D14/339–341, 371, 373, 374, 379, 432, D14/440, 448, 450, 485, 492, 138 G, 248; D21/329, 321, 324, 333, 369, 370, 371, D21/515; D6/300, 310, 314, 320, 332, D6/356, 553; D10/15, 75, 80, 104.1, D10/109.1, 109.2, 121
CPC G06F 1/18; H04N 7/18; B64D 11/00152; B64D 11/00154; B60R 11/0229; B60R 11/02; B60R 2011/0017
See application file for complete search history.

(57) **CLAIM**

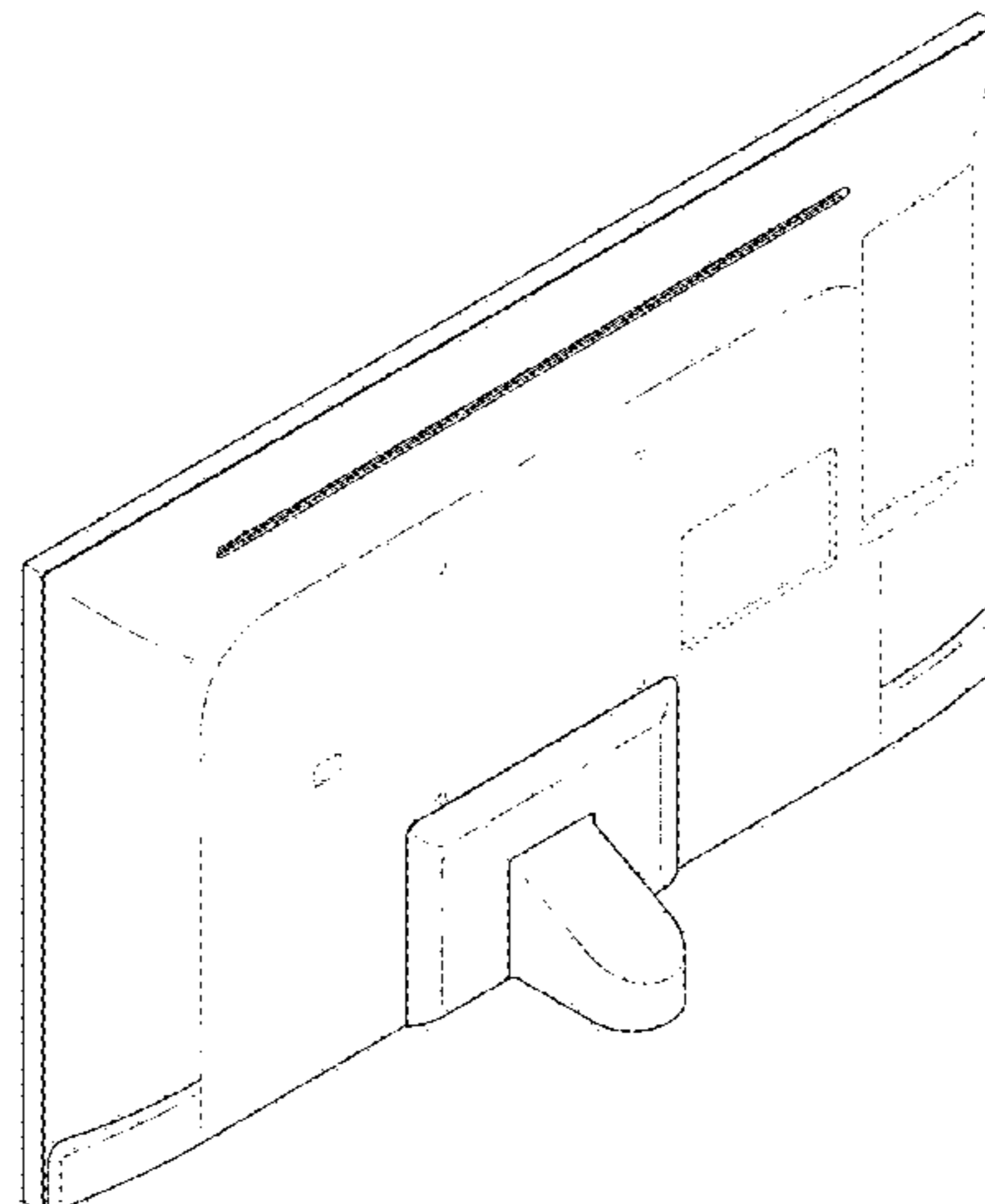
The ornamental design for television receiver, as shown and described.

DESCRIPTION

- 1. Television receiver
- 1.1 : Perspective
- 1.2 : Rear perspective view
- 1.3 : Front
- 1.4 : Back
- 1.5 : Left
- 1.6 : Right
- 1.7 : Top
- 1.8 : Bottom

The broken lines indicate portions of the article that form no part of the claimed design.

1 Claim, 8 Drawing Sheets



(56)

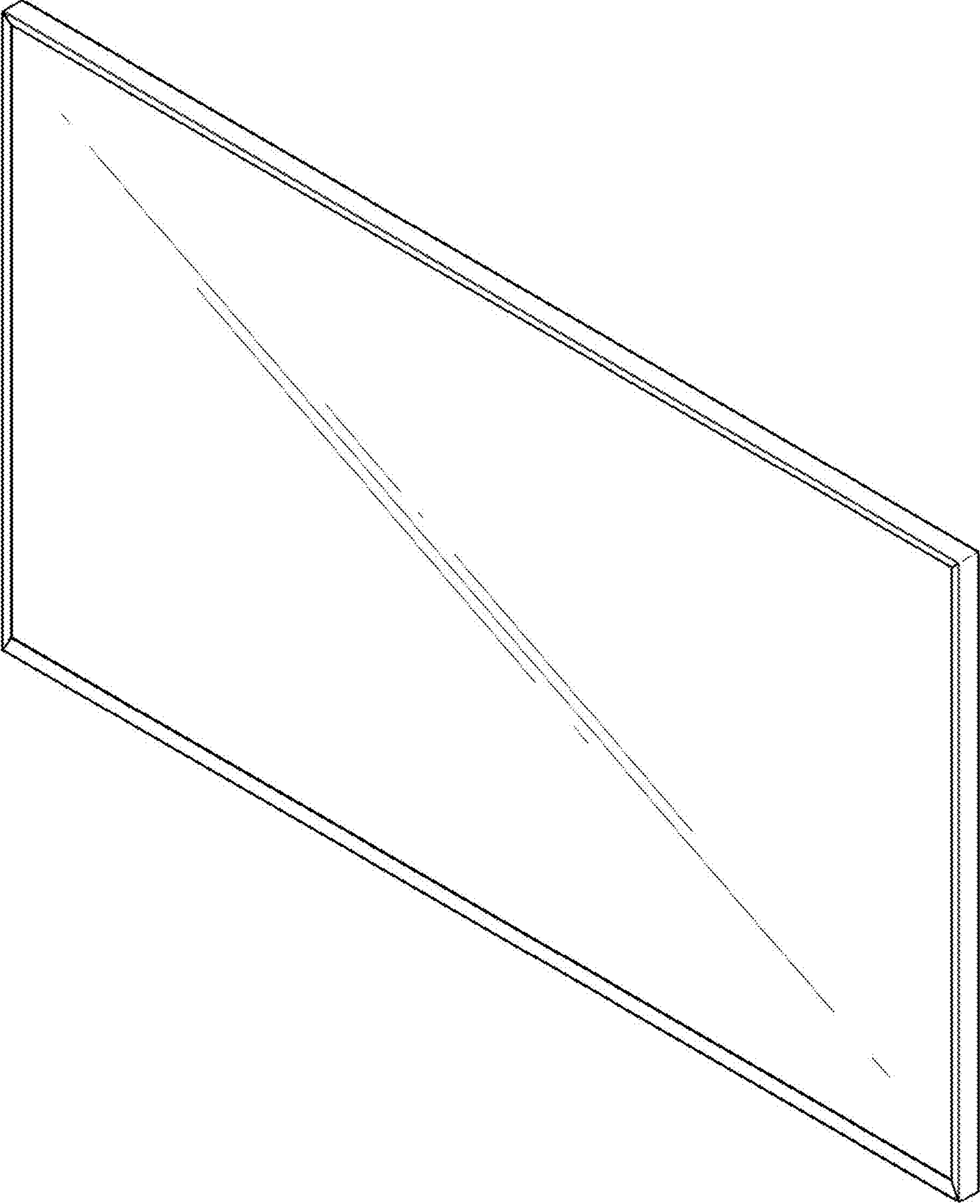
References Cited

U.S. PATENT DOCUMENTS

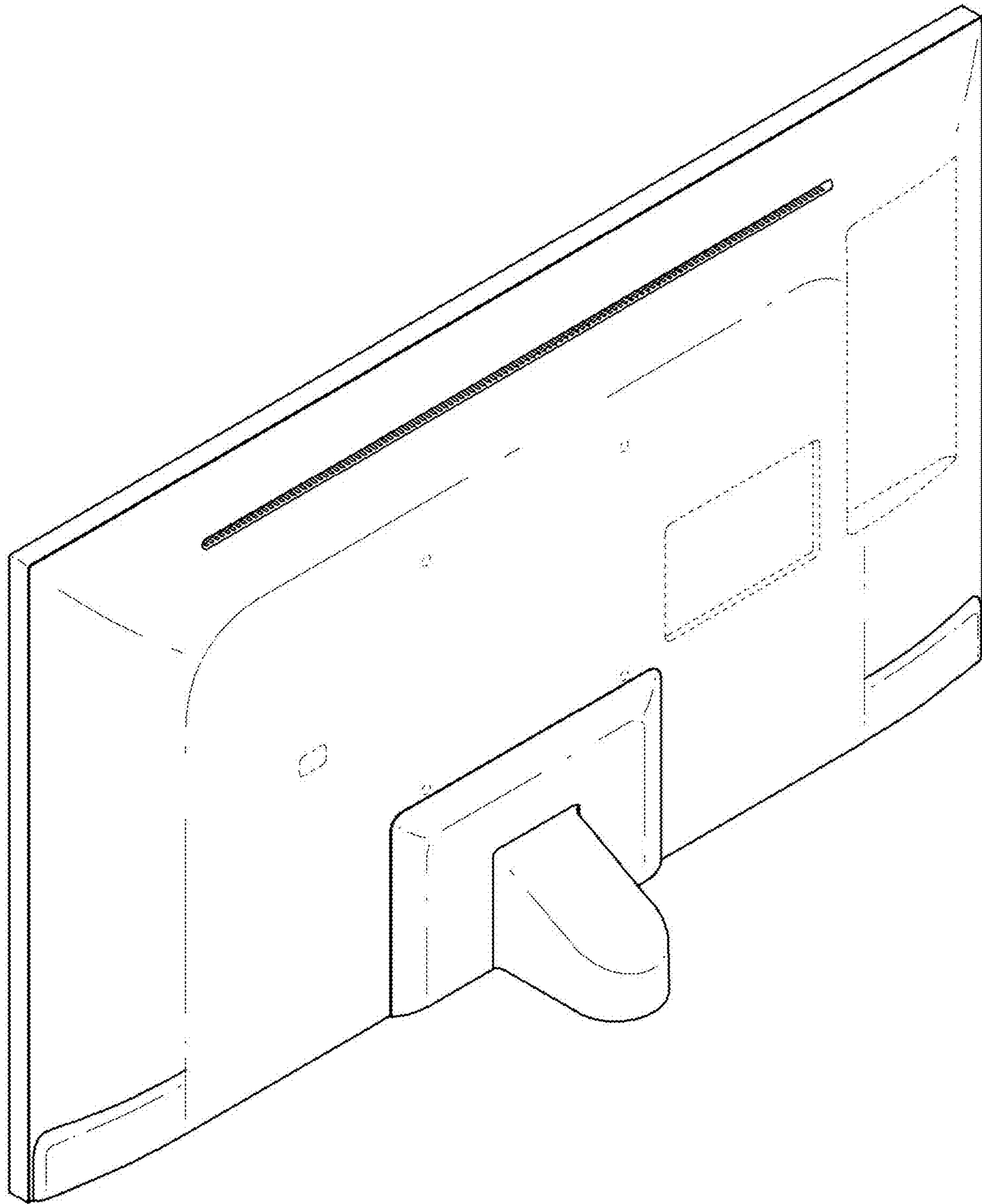
D773,419	S	*	12/2016	Han	D14/126
D774,484	S	*	12/2016	Han	D14/126
D775,094	S	*	12/2016	Kim	D14/126
D778,854	S	*	2/2017	Lee	D14/126
D778,855	S	*	2/2017	Lee	D14/126
D780,140	S	*	2/2017	Kim	D14/126
D782,991	S	*	4/2017	Kim	D14/126
D785,581	S	*	5/2017	McManigal	D14/126
D786,813	S	*	5/2017	McManigal	D14/126
D787,462	S	*	5/2017	Shiono	D14/126
D790,493	S	*	6/2017	Han	D14/126
D792,361	S	*	7/2017	Han	D14/126
D826,878	S	*	8/2018	Kim	D14/126
D836,587	S	*	12/2018	Cha	D14/126
D847,772	S	*	5/2019	Kim	D14/126
D847,773	S	*	5/2019	Kim	D14/126
D848,386	S	*	5/2019	Kuwao	D14/126
D848,965	S	*	5/2019	Kim	D14/126
D901,414	S	*	11/2020	Park	D14/126
D901,416	S	*	11/2020	Park	D14/126

* cited by examiner

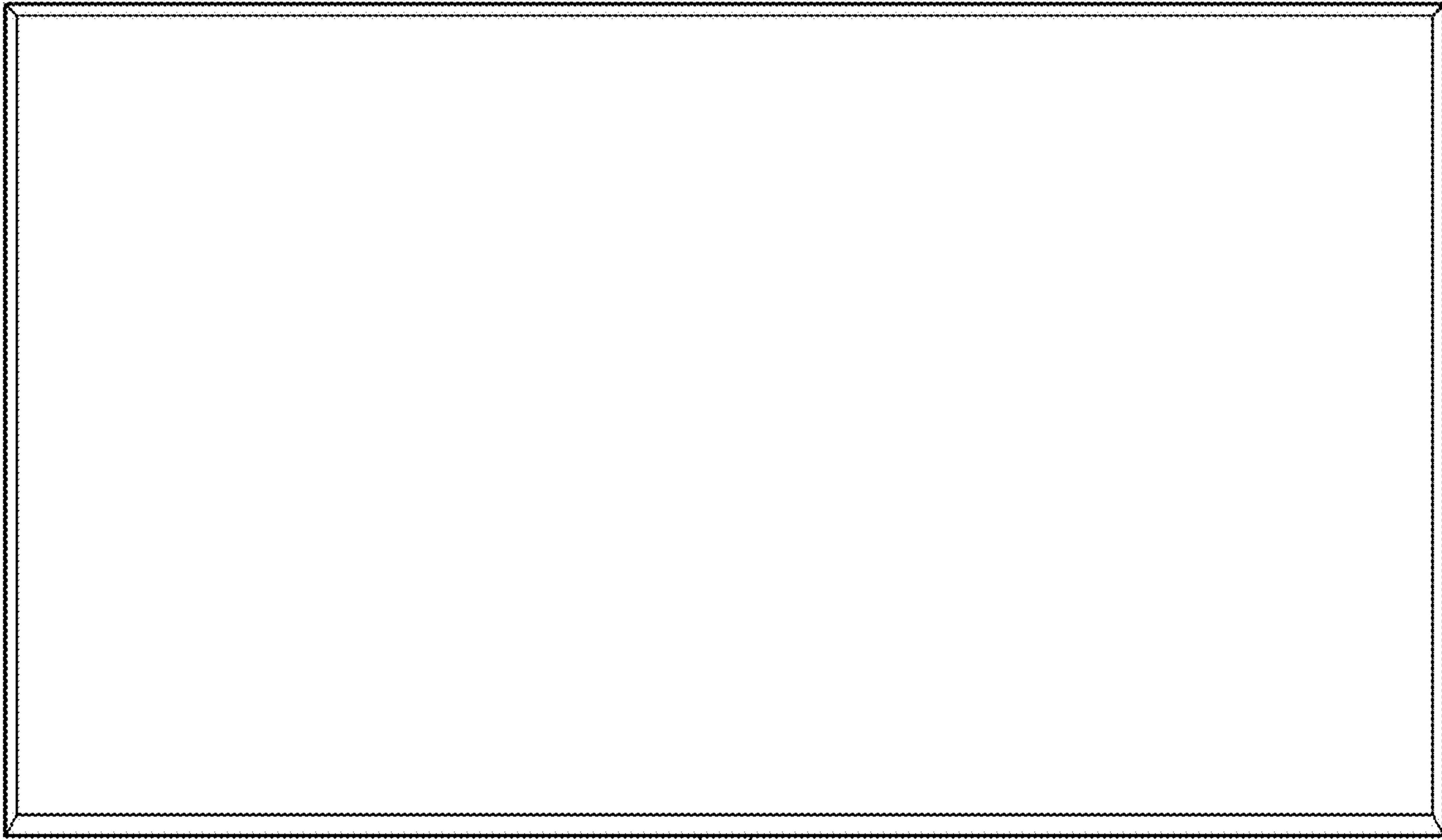
1.1



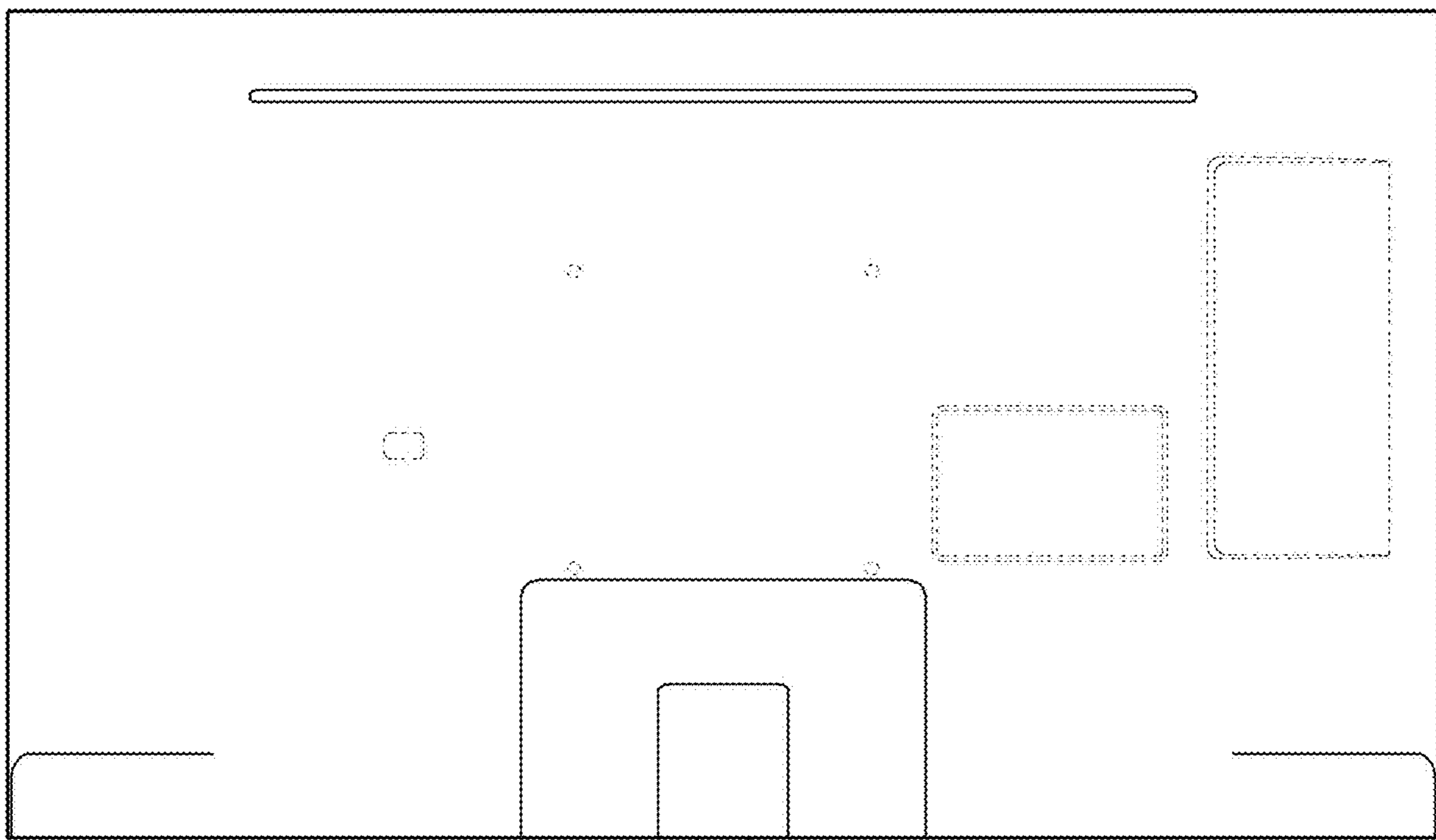
1.2



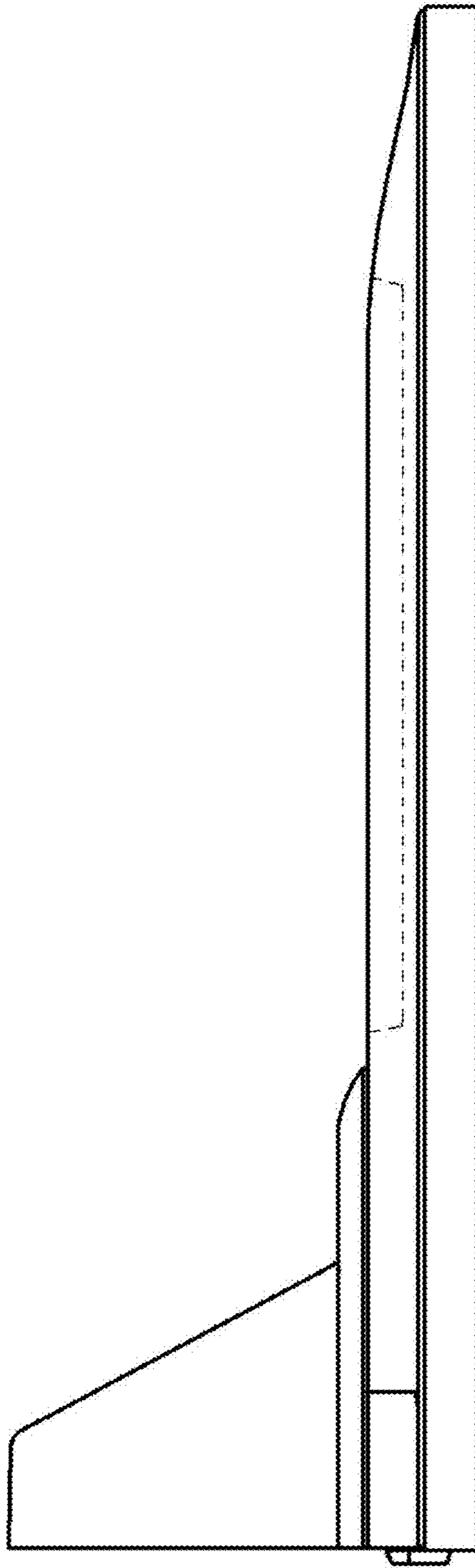
1.3



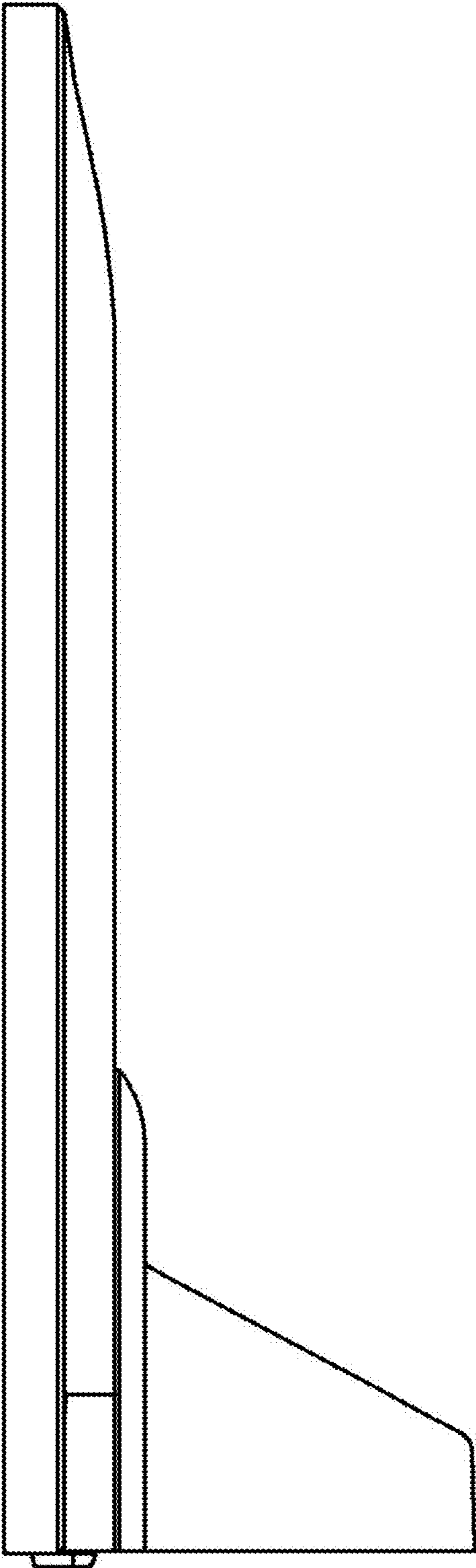
1.4



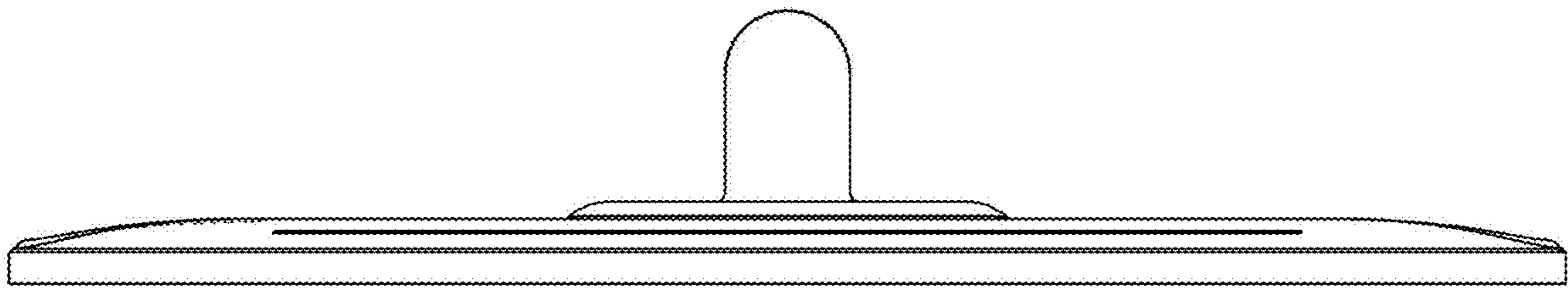
1.5



1.6



1.7



1.8

