



US00D919585S

(12) **United States Design Patent** (10) **Patent No.:** **US D919,585 S**  
**Shim et al.** (45) **Date of Patent:** **\*\* May 18, 2021**

(54) **REAR SEAT TELEVISION MONITOR FOR AUTOMOBILES**

(71) Applicant: **LG ELECTRONICS INC.**, Seoul (KR)  
(72) Inventors: **Inkoo Shim**, Seoul (KR); **Jinhee Kim**, Seoul (KR)  
(73) Assignee: **LG ELECTRONICS INC.**, Seoul (KR)  
(\*\*) Term: **15 Years**  
(21) Appl. No.: **35/508,554**  
(22) Filed: **Aug. 1, 2019**  
(80) **Hague Agreement Data**  
Int. Filing Date: **Aug. 1, 2019**  
Int. Reg. No.: **DM/205688**  
Int. Reg. Date: **Aug. 1, 2019**  
Int. Reg. Pub. Date: **Feb. 14, 2020**

(30) **Foreign Application Priority Data**  
Feb. 15, 2019 (KR) ..... 30-2019-0006820  
(51) **LOC (13) Cl.** ..... **14-03**  
(52) **U.S. Cl.**  
USPC ..... **D14/126**; D14/129  
CPC ..... **B64D 11/00154** (2014.12)  
(58) **Field of Classification Search**  
USPC ..... D14/125, 126, 129, 140.11, 217, 239, D14/511, 371, 374, 379, 432, 440, 448, D14/450, 336, 341, 485, 492; D21/329, D21/321, 333, 369, 370, 371, 515; D10/15, 75, 80, 104.1, 109.1, 109.2, 121; D6/356  
CPC ..... G06F 1/18; H04N 7/18; B64D 11/00152; B64D 11/00154; B60R 11/0229; B60R 11/02; B60R 2011/0017  
See application file for complete search history.

(56) **References Cited**

U.S. PATENT DOCUMENTS

4,630,821 A \* 12/1986 Greenwald ..... A47C 7/725 463/1  
D299,491 S \* 1/1989 Masuda ..... D12/188  
D413,856 S \* 9/1999 Scribner ..... D12/418  
D454,122 S \* 3/2002 Hori ..... D14/132  
D469,068 S \* 1/2003 Furusawa ..... D14/126  
D469,413 S \* 1/2003 To ..... D14/126  
7,070,237 B2 \* 7/2006 Rochel ..... B60R 11/0235 248/118  
D564,991 S \* 3/2008 Vitito ..... D14/126  
D575,252 S \* 8/2008 Iwamoto ..... D14/132  
D590,363 S \* 4/2009 Yamamoto ..... D14/132

(Continued)

*Primary Examiner* — Richard E Chilcot  
(74) *Attorney, Agent, or Firm* — Birch, Stewart, Kolasch & Birch LLP

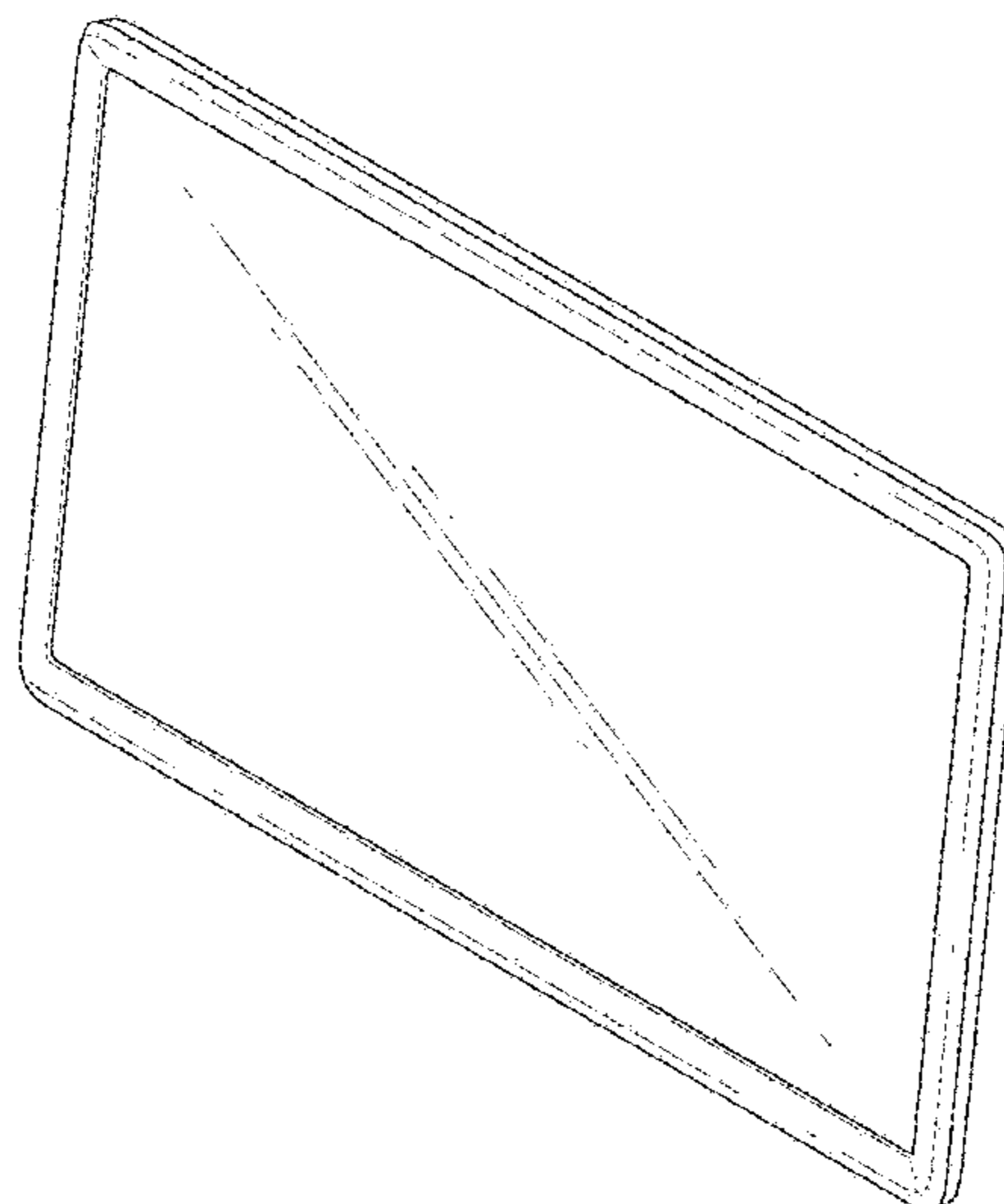
(57) **CLAIM**

The ornamental design for a rear seat television monitor for automobiles, as shown and described.

**DESCRIPTION**

1. Rear seat television monitor for automobiles  
1.1 : Perspective  
1.2 : Front  
1.3 : Back  
1.4 : Left  
1.5 : Right  
1.6 : Top  
1.7 : Bottom  
1.8 : Enlarged  
1.9 : Reference  
The broken lines indicate portions of the article that form no part of the claimed design; reproduction 1.8 is an enlarged view of portion of reproduction 1.4, represented by the squares in dot-dashed lines, curvy lines and the number 1.8; reproduction 1.9 is a reference view showing a state of use in which it is installed on the back of car seat.

**1 Claim, 9 Drawing Sheets**



(56)

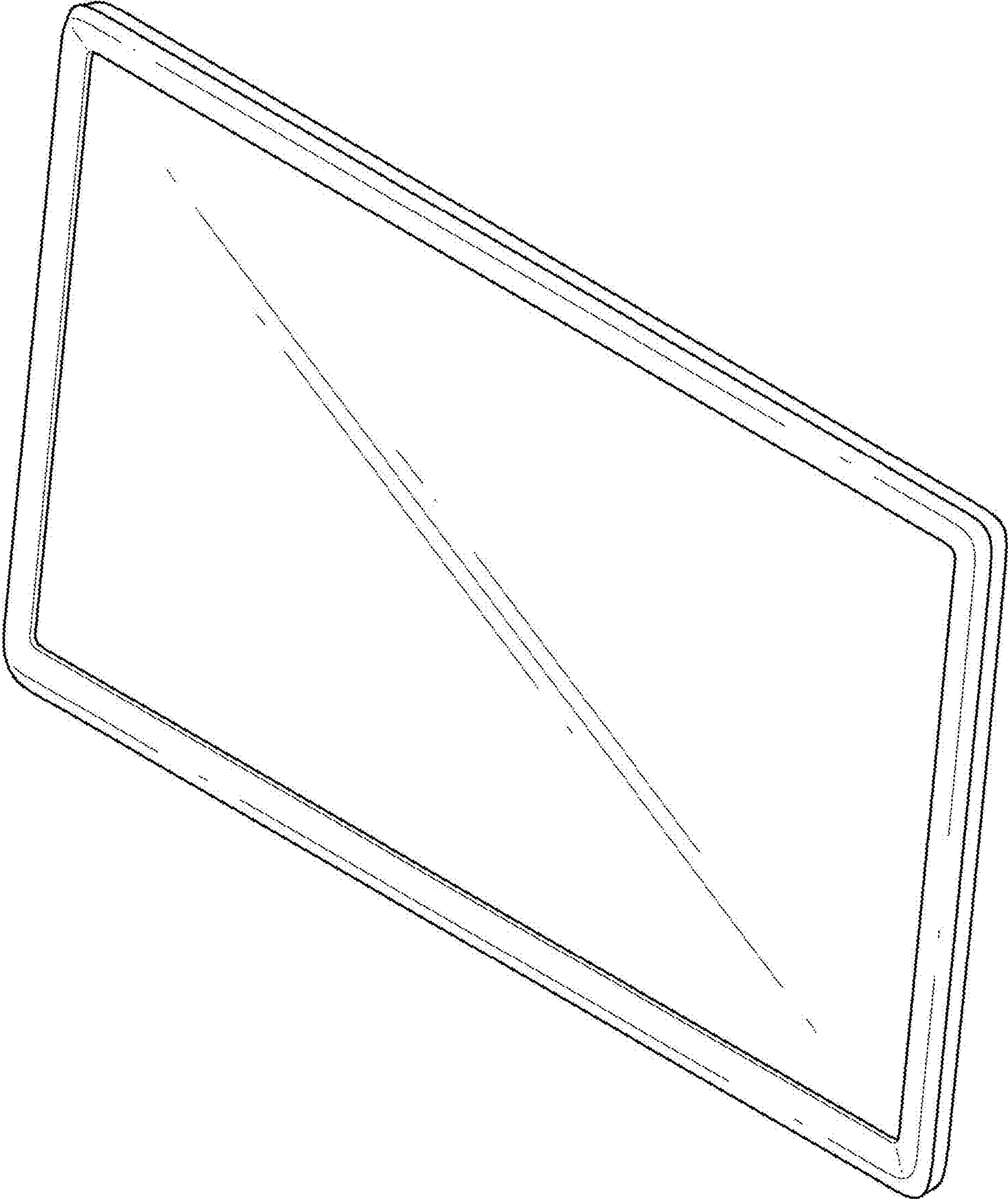
**References Cited**

U.S. PATENT DOCUMENTS

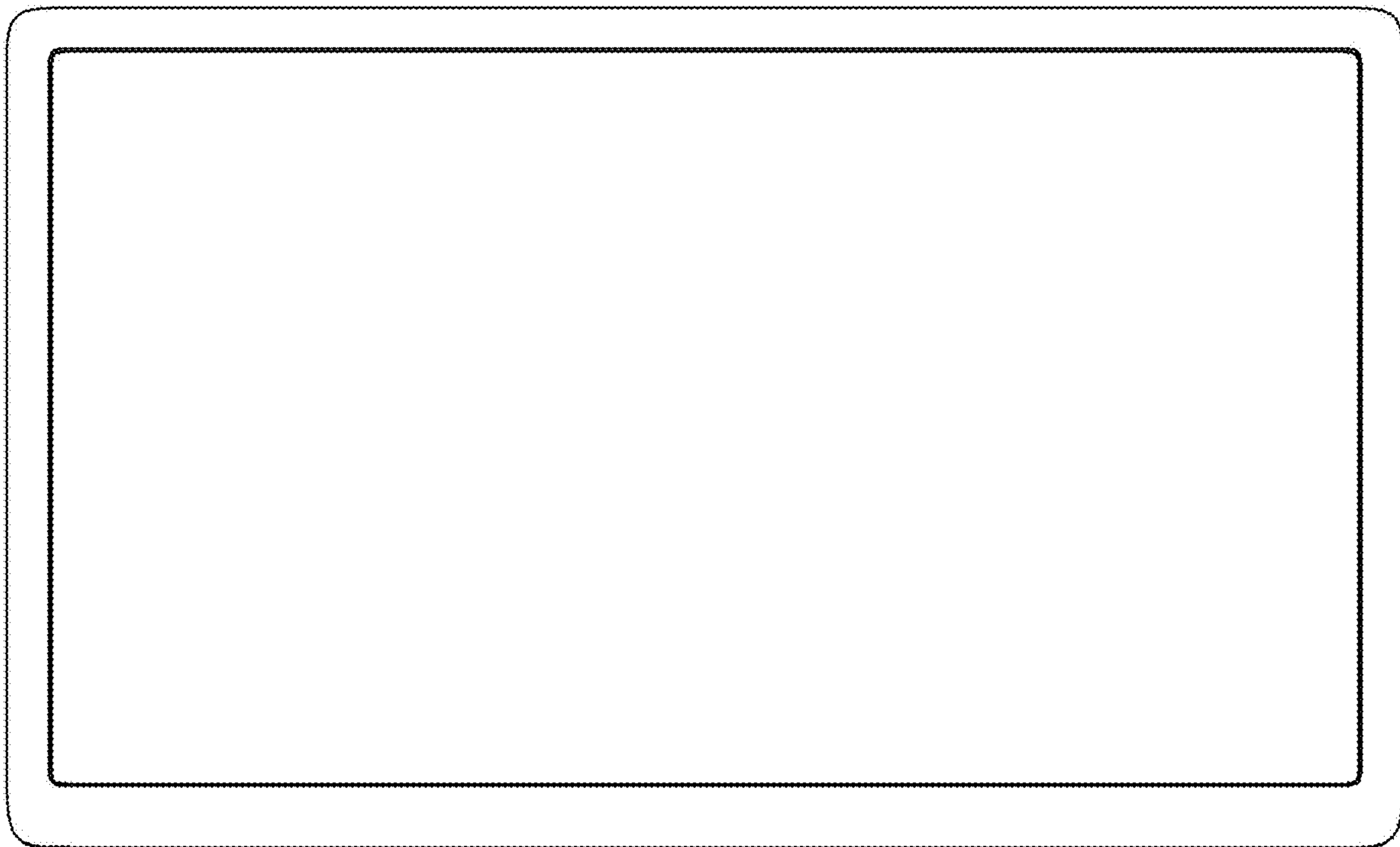
D702,658	S *	4/2014	Kim .....	D14/126
8,730,413	B2 *	5/2014	Tranchina .....	B60R 11/0235 348/837
D709,466	S *	7/2014	Sugita .....	D14/126
D749,052	S *	2/2016	Margis .....	D14/126
D753,077	S *	4/2016	Margis .....	D14/126
9,393,915	B2 *	7/2016	Vitito .....	B60R 11/0235
D807,842	S *	1/2018	Sugita .....	D14/126
D819,582	S *	6/2018	Izadyar .....	D14/126
10,160,362	B2 *	12/2018	Harris .....	B60N 2/815
D904,328	S *	12/2020	Margis .....	B64D 11/00154 D14/126
2011/0155873	A1 *	6/2011	Montag .....	B60R 11/02 248/218.4
2012/0018471	A1 *	1/2012	Guillermo .....	B60R 11/0235 224/275
2014/0077539	A1 *	3/2014	Brawner .....	B60R 11/0229 297/217.3
2016/0161052	A1 *	6/2016	Griggs .....	F16B 1/00 320/108

\* cited by examiner

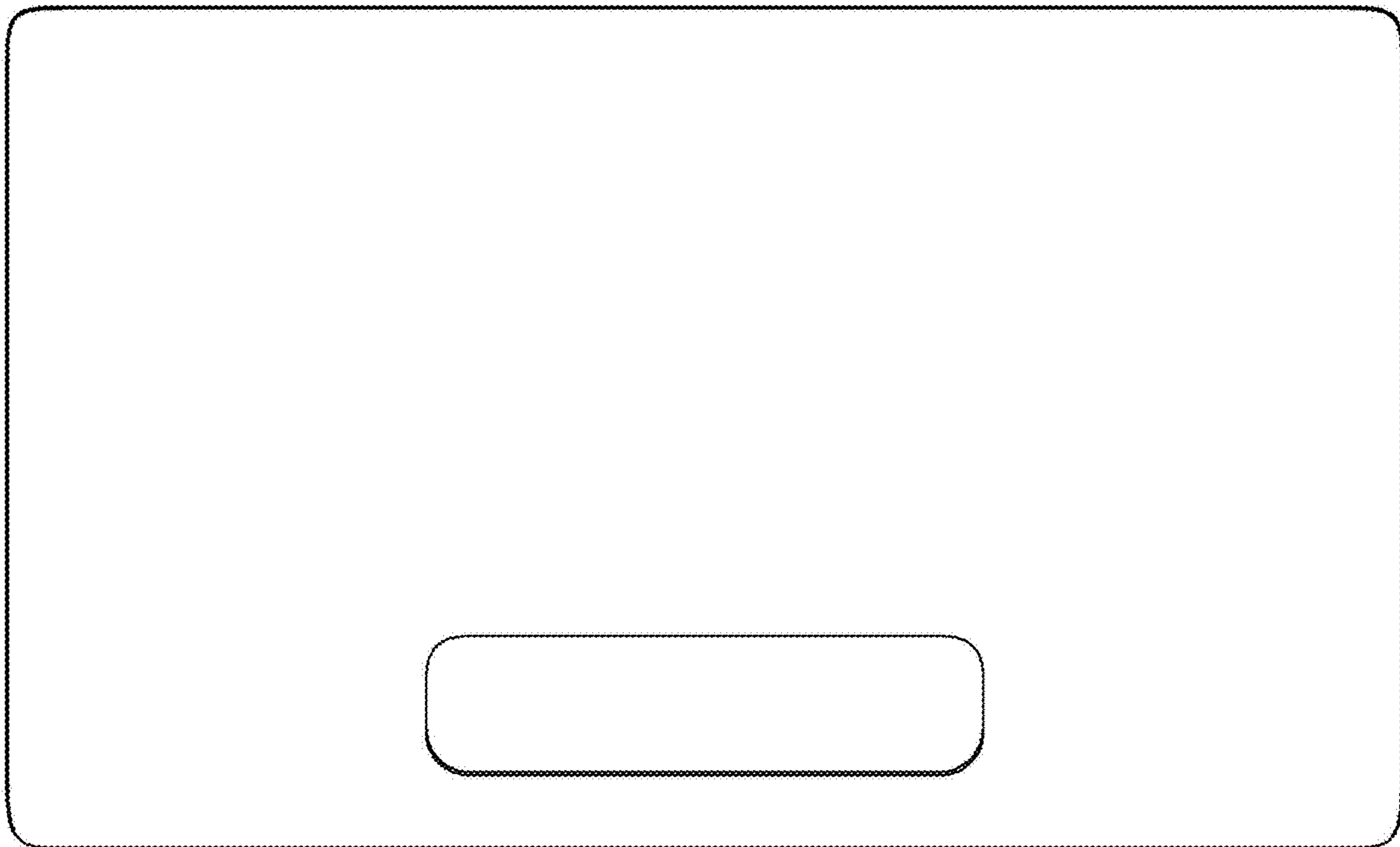
1.1



1.2

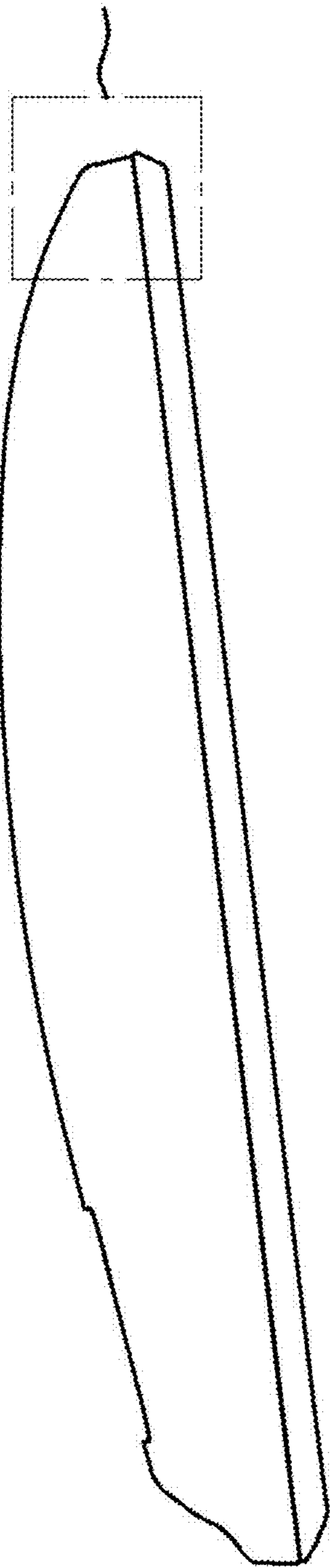


1.3

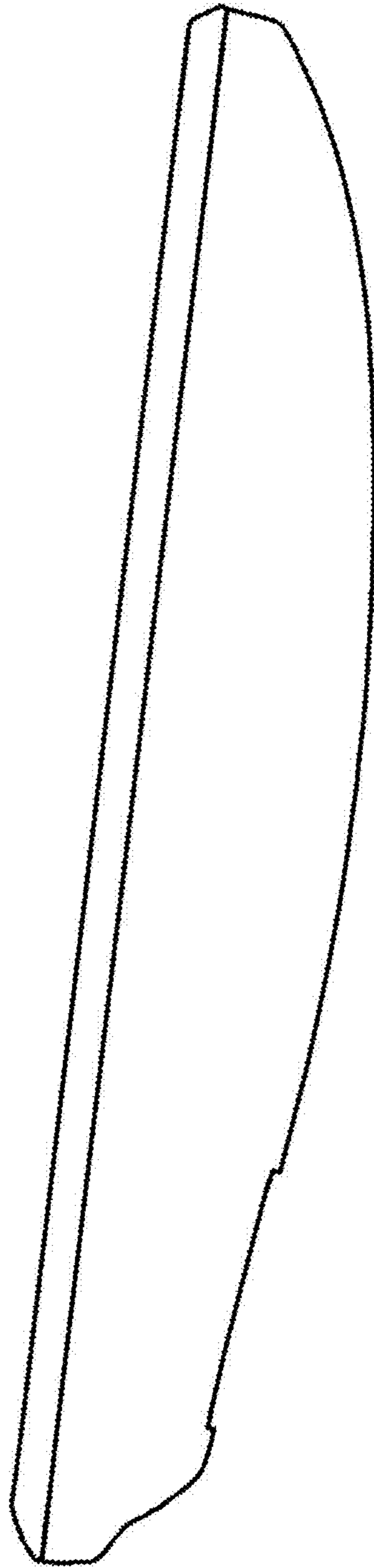


1.4

1.8

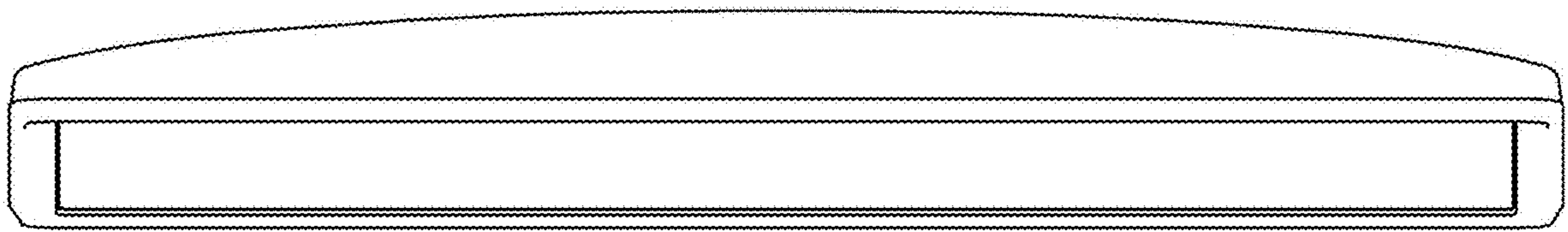


1.5



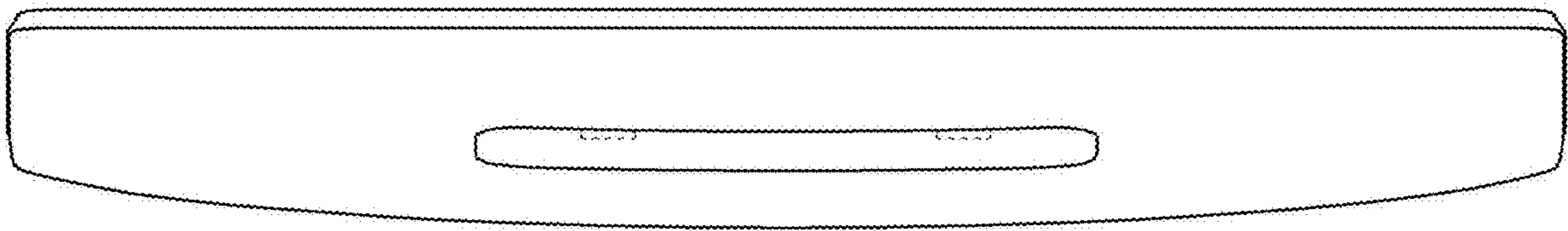


1.6

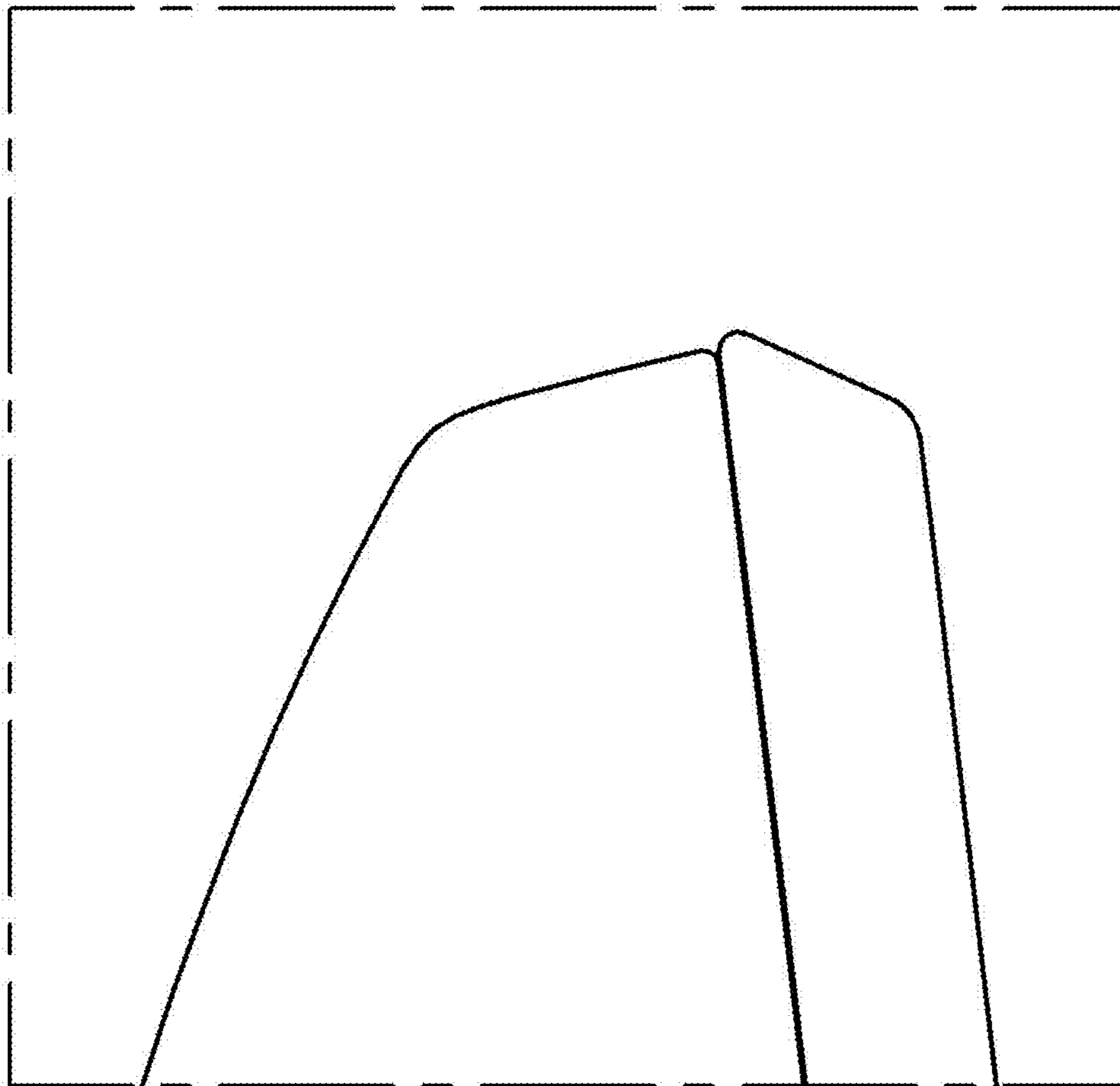




1.7



1.8



1.9

