

US00D919584S

(12) **United States Design Patent** (10) **Patent No.:** **US D919,584 S**  
**Reese et al.** (45) **Date of Patent:** **\*\* \*May 18, 2021**

(54) **DOUBLE DOORS FOR ELECTRICAL PANEL ENCLOSURE**

FOREIGN PATENT DOCUMENTS

(71) Applicant: **Eaton Intelligent Power Limited**,  
Dublin (IE)

CN 201830589 U 5/2011  
CN 204168660 U 2/2015

(72) Inventors: **Robert J. Reese**, Highland, IL (US);  
**Ken Huggins**, Plano, TX (US); **Jason S. Mevius**, McKinney, TX (US)

OTHER PUBLICATIONS

Notice of Allowance, U.S. Appl. No. 29/584,833, dated Apr. 4, 2019, pp. 10.

(73) Assignee: **Eaton Intelligent Power Limited**,  
Dublin (IE)

*Primary Examiner* — Selina Sikder  
(74) *Attorney, Agent, or Firm* — Stinson LLP

(\*) Notice: This patent is subject to a terminal disclaimer.

(\*\*) Term: **15 Years**

(57) **CLAIM**

The ornamental design for double doors for an electrical panel enclosure, as shown and described.

(21) Appl. No.: **29/677,247**

(22) Filed: **Jan. 18, 2019**

**Related U.S. Application Data**

**DESCRIPTION**

(62) Division of application No. 29/584,833, filed on Nov. 17, 2016, now Pat. No. Des. 857,639.

(51) **LOC (13) Cl.** ..... **13-03**

(52) **U.S. Cl.**  
USPC ..... **D13/184**

(58) **Field of Classification Search**  
USPC ..... D13/158, 162, 163, 174, 184  
CPC ... H02B 1/01; H02B 1/26; H02B 1/30; H05K 5/00; H05K 5/0004; H05K 5/0008; H05K 5/0017; H05K 5/03; H05K 5/04  
See application file for complete search history.

FIG. 1 is a perspective view of the double doors for electrical panel enclosure showing our new design;  
FIG. 2 is a front elevational view of the double doors;  
FIG. 3 is a right elevational view of the double doors;  
FIG. 4 is a top plan view of the double doors;  
FIG. 5 is a rear elevational view of the double doors;  
FIG. 6 is a left elevational view of the double doors;  
FIG. 7 is a bottom plan view of the double doors;  
FIG. 8 is an enlarged, fragmentary view of a left portion of FIG. 4;  
FIG. 9 is an enlarged, fragmentary view of a right portion of FIG. 4; and,  
FIG. 10 is an enlarged, fragmentary view of a center portion of FIG. 4.  
The double doors are shown broken away in FIGS. 1-7 of the drawing to indicate indeterminate height and width, it being understood that it has a uniform shape and appearance through its height and width.  
Portions drawn in broken lines are for illustrative purposes only and form no part of the claimed design.

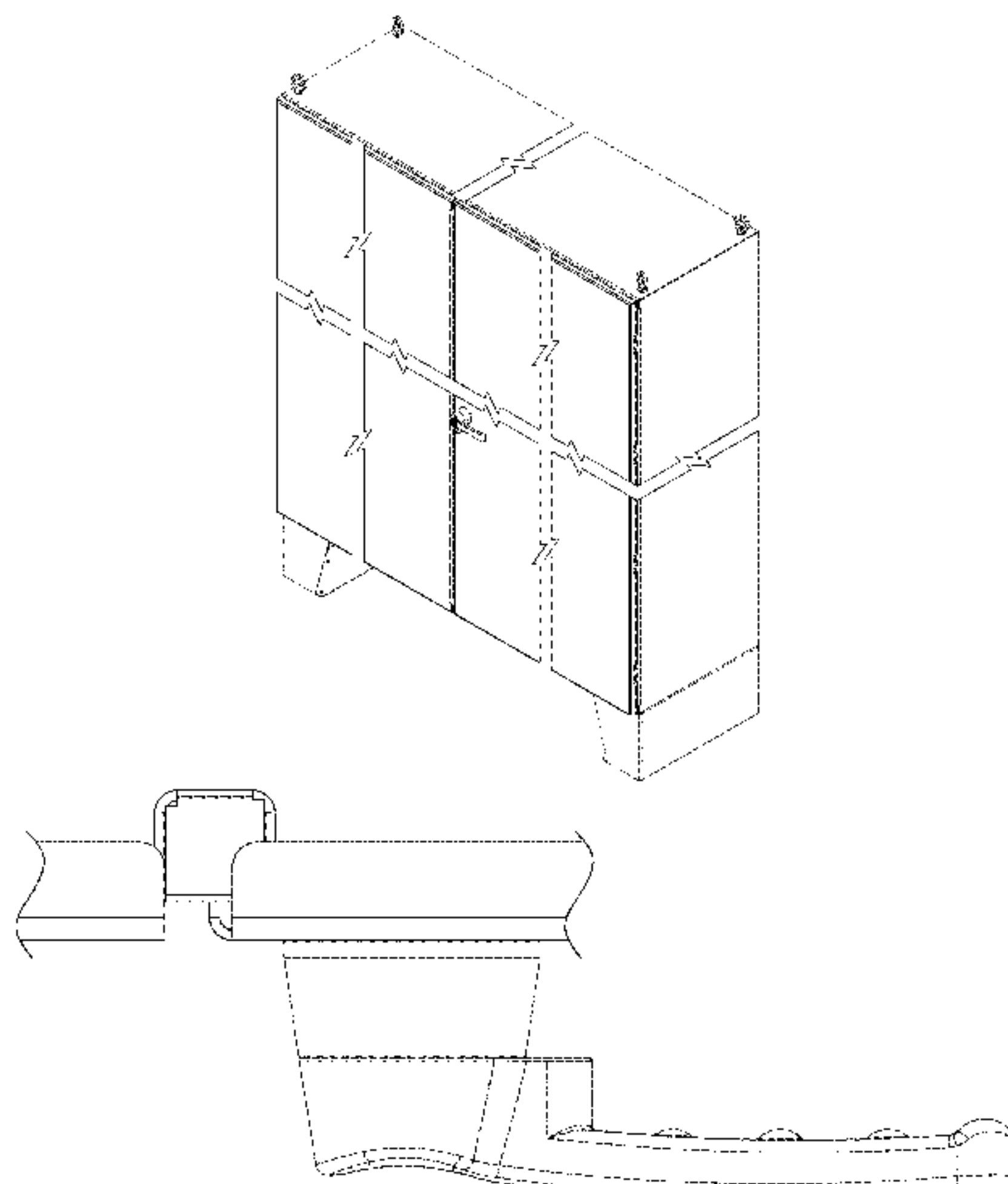
(56) **References Cited**

U.S. PATENT DOCUMENTS

3,157,306 A 11/1964 Courson  
D210,078 S 2/1968 Eck  
5,056,577 A \* 10/1991 DeLong ..... E04B 2/7437  
160/135  
D324,965 S 3/1992 Nelsen  
D349,888 S 8/1994 Yamamoto et al.

(Continued)

**1 Claim, 9 Drawing Sheets**



(56)

References Cited

U.S. PATENT DOCUMENTS

5,347,778	A *	9/1994	Bray	.....	E04B 2/7425	2006/0243690	A1 *	11/2006	Mollard	.....	H05K 5/02
					160/135						211/151
5,467,250	A	11/1995	Howard et al.			2009/0052143	A1 *	2/2009	Chiu	.....	H05K 5/0213
D365,086	S	12/1995	Spechts								361/724
5,822,180	A	10/1998	Deschamps et al.			2011/0001411	A1	1/2011	Borning et al.		
6,445,585	B1	9/2002	Walker			2011/0115345	A1 *	5/2011	Kang	.....	H02B 1/308
6,478,391	B1	11/2002	Stoever								312/205
D479,883	S *	9/2003	Gresham	.....	D25/119	2011/0181160	A1 *	7/2011	Peng	.....	H02B 1/301
D503,931	S	4/2005	Kauranen et al.								312/223.1
D543,161	S	5/2007	Stepputat			2012/0062084	A1	3/2012	Lewis, II et al.		
D588,081	S	3/2009	Lewis, II et al.			2012/0299455	A1	11/2012	Li et al.		
D615,325	S *	5/2010	Holcomb	.....	D6/703	2013/0342091	A1	12/2013	Walker et al.		
7,952,042	B2	5/2011	Coomer et al.			2014/0104759	A1	4/2014	Takano		
D653,224	S	1/2012	Jonas et al.			2015/0002006	A1	1/2015	Segroves et al.		
D669,694	S *	10/2012	Yoo	.....	D6/332	2015/0075080	A1	3/2015	Ellingson		
D670,510	S	11/2012	Daino et al.			2015/0173253	A1	6/2015	Lewis, II et al.		
D812,025	S	3/2018	Cagliani et al.			2016/0219729	A1	7/2016	Omari et al.		
D830,975	S	10/2018	Vierjarvi et al.			2016/0255421	A1	9/2016	Farrar et al.		
D857,639	S *	8/2019	Reese	.....	D13/184	2016/0372896	A1	12/2016	Strong et al.		
10,537,038	B2 *	1/2020	Reese	.....	H05K 7/18	2017/0150636	A1	5/2017	Segroves et al.		
2004/0239215	A1 *	12/2004	Sargeant	.....	H05K 7/18	2017/0172015	A1	6/2017	Yu et al.		
					312/265.3	2018/0098456	A1	4/2018	Schreier et al.		
						2018/0139859	A1	5/2018	Reese et al.		
						2018/0213667	A1	7/2018	Midday et al.		
						2018/0213670	A1	7/2018	Freire		
						2018/0213673	A1	7/2018	Eckberg et al.		

\* cited by examiner

FIG. 1

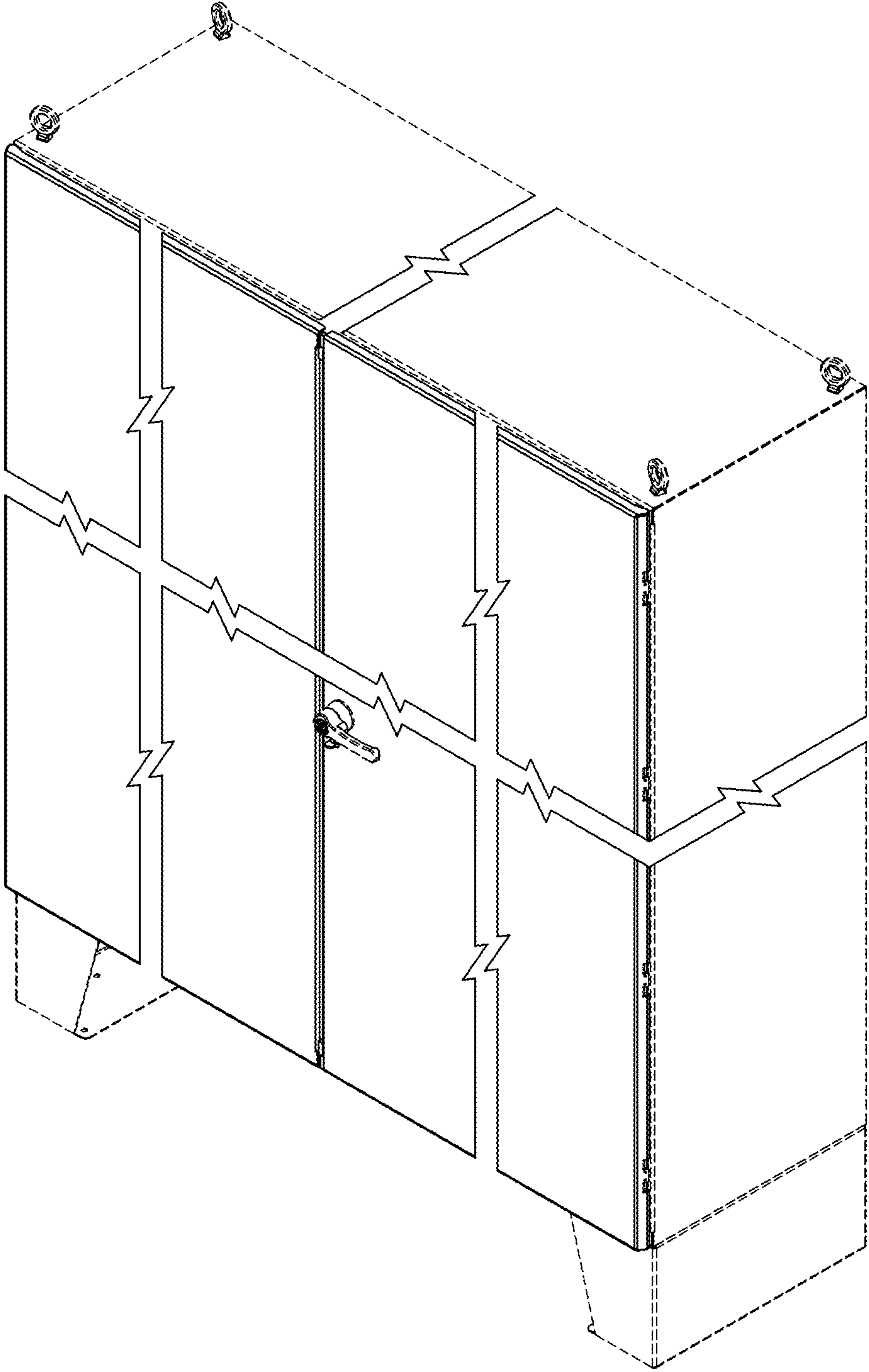


FIG. 2

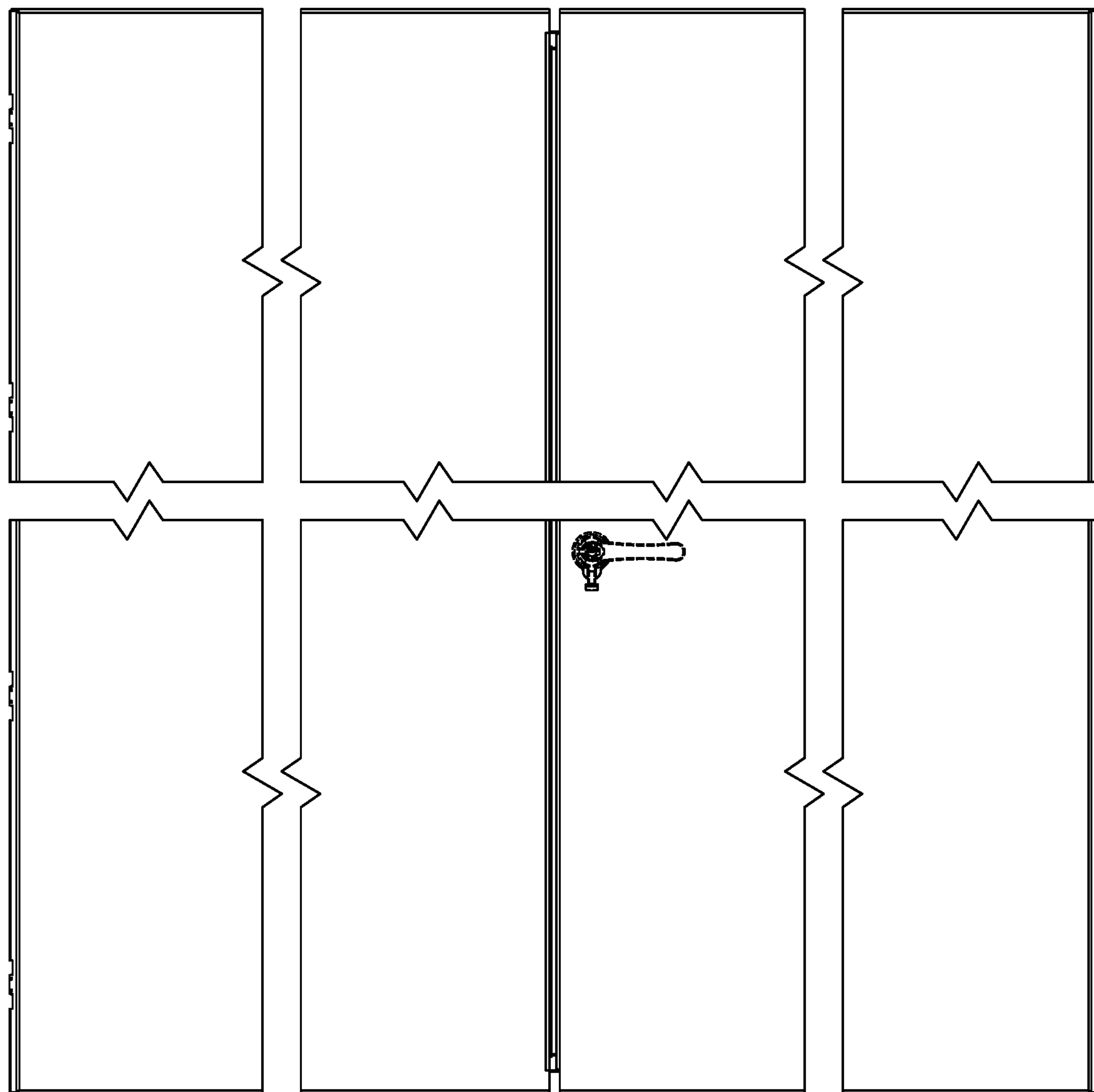


FIG. 3

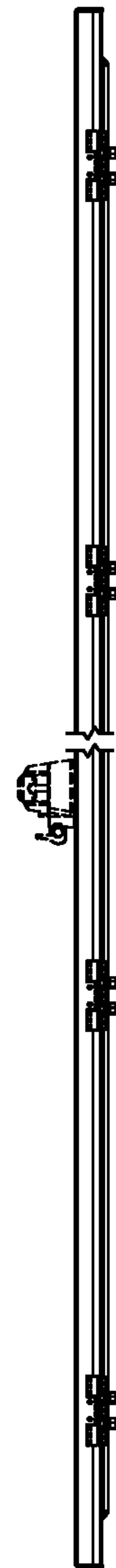


FIG. 4

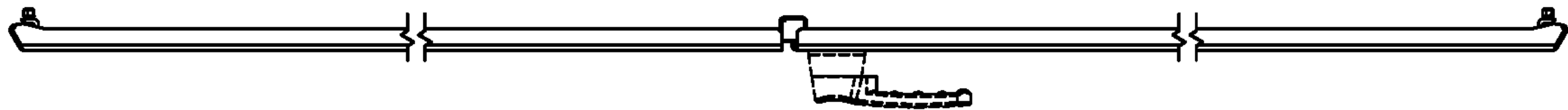


FIG. 5

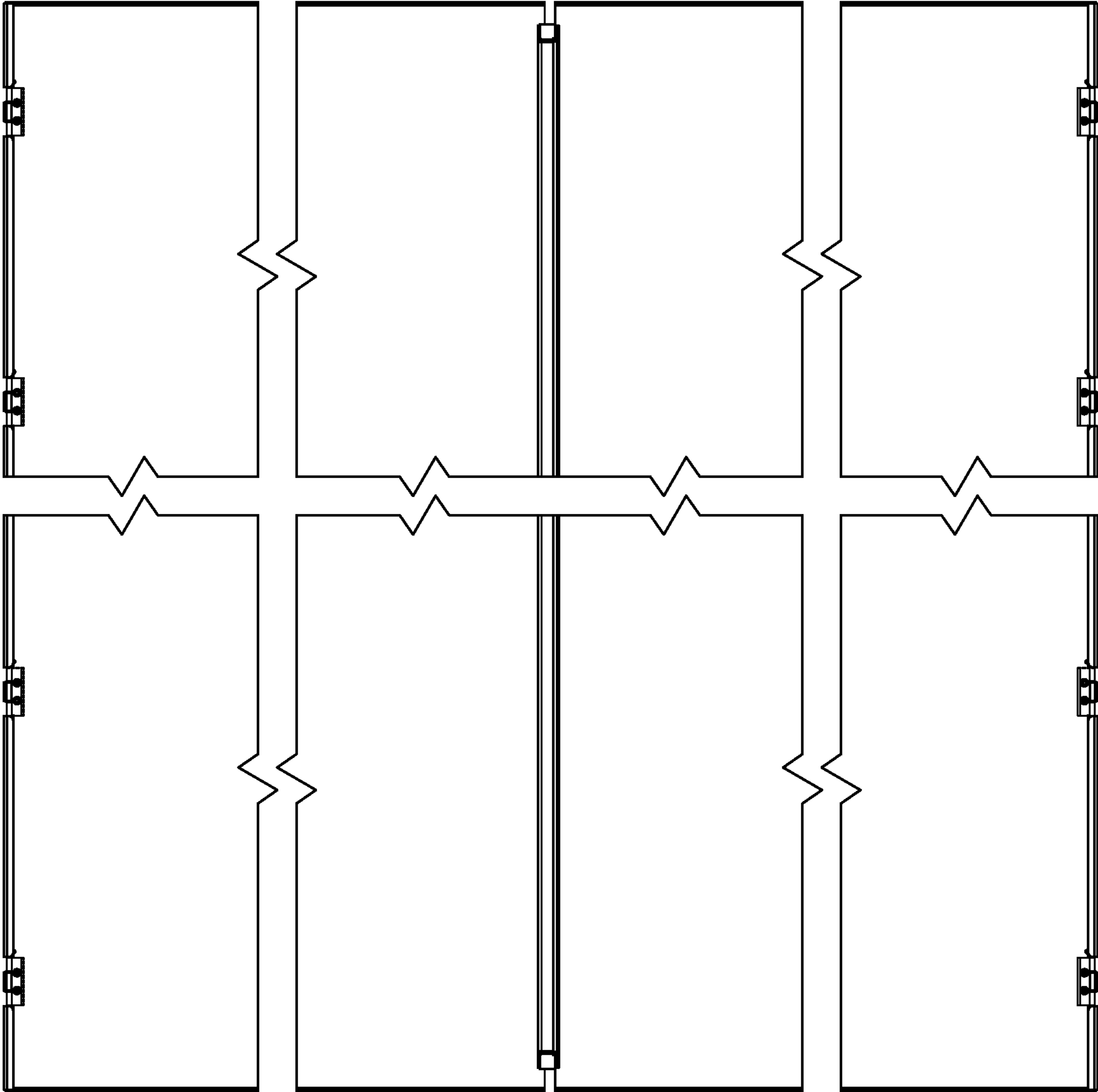


FIG. 6





FIG. 7

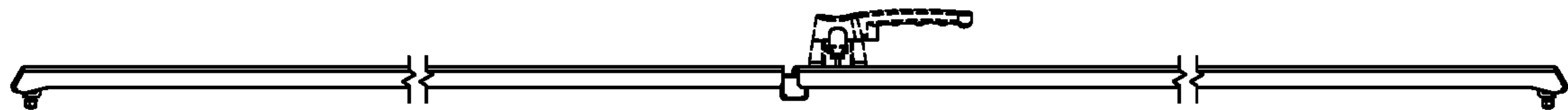


FIG. 8

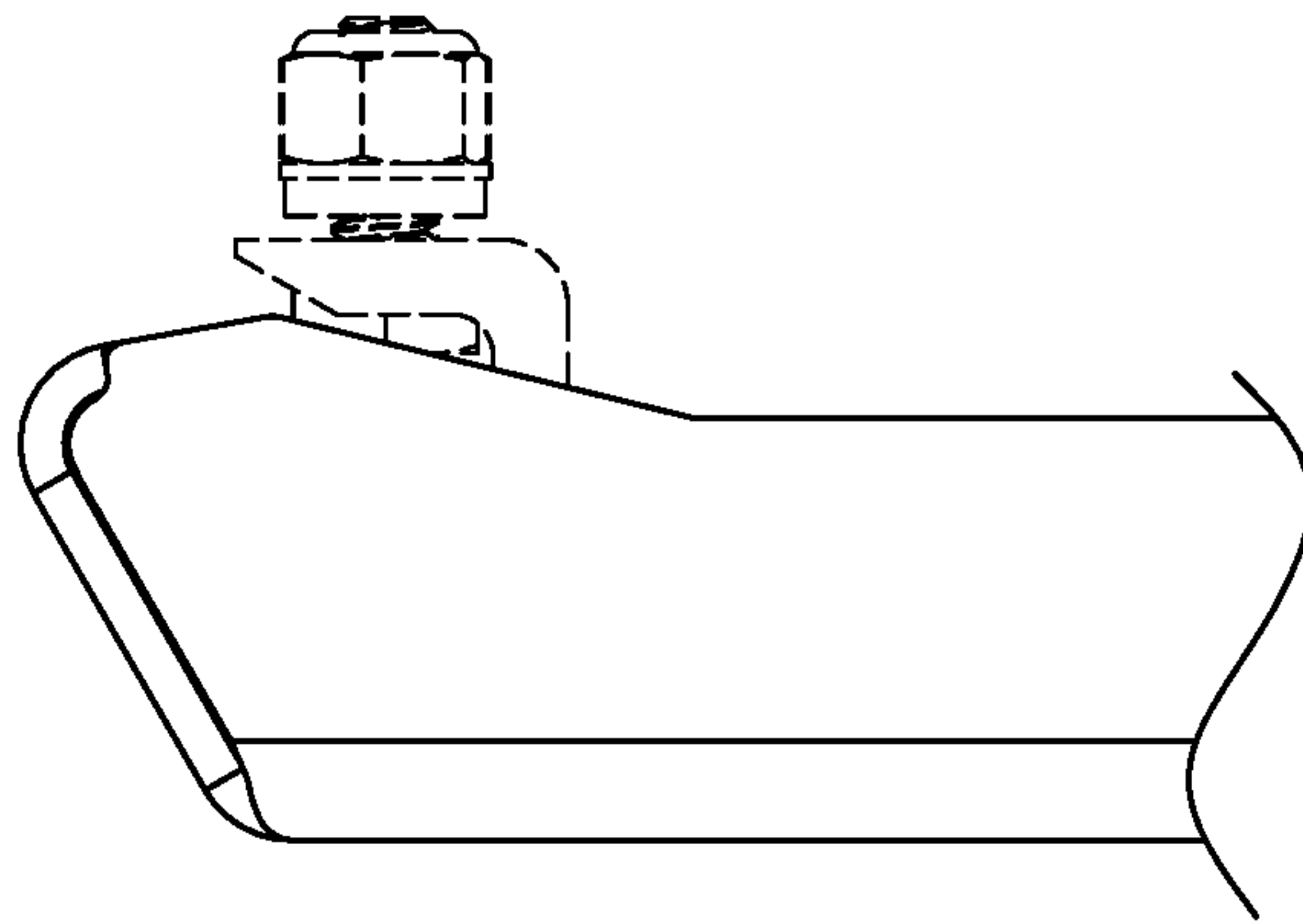


FIG. 9

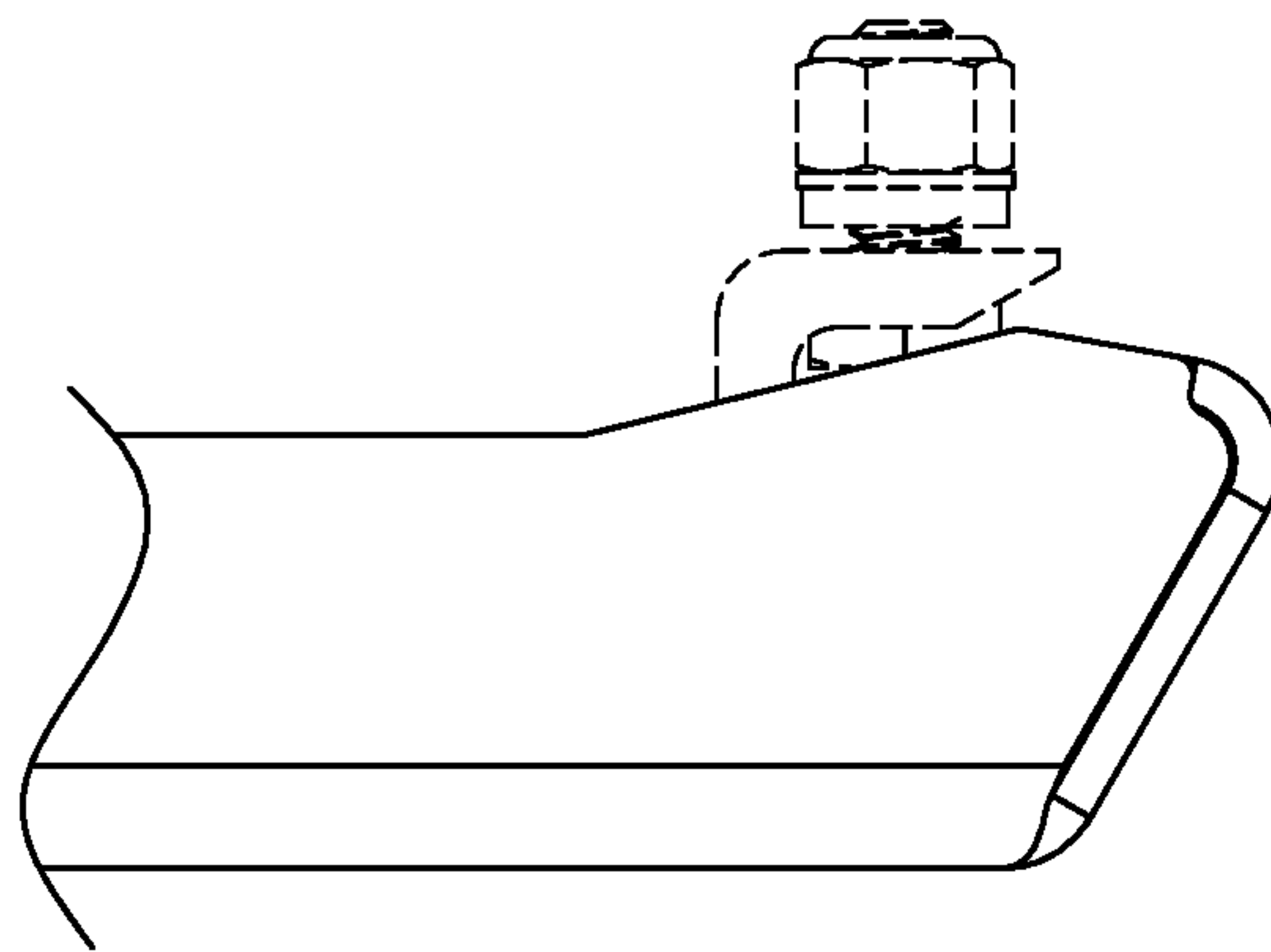


FIG. 10

