



US00D919578S

(12) **United States Design Patent** (10) **Patent No.:** **US D919,578 S**
Zarnescu (45) **Date of Patent:** **** May 18, 2021**

(54) **HOUSING FOR EQUIPMENT FOR CONTROL OF ELECTRIC POWER**

(71) Applicant: **Siemens Aktiengesellschaft**, Munich (DE)

(72) Inventor: **Bogdan Alexandru Zarnescu**, Sibiu (RO)

(73) Assignee: **SIEMENS AKTIENGESELLSCHAFT**, Munich (DE)

(**) Term: **15 Years**

(21) Appl. No.: **29/648,747**

(22) Filed: **May 23, 2018**

(30) **Foreign Application Priority Data**

Nov. 24, 2017 (EM) 004520898

(51) **LOC (13) Cl.** **13-03**

(52) **U.S. Cl.**
USPC **D13/147**

(58) **Field of Classification Search**
USPC D13/103, 107, 108, 110, 112, 118, 120, D13/123, 133, 137.1, 145-147, 149-156, D13/158, 173, 177, 184, 199, 242; D14/240, 242, 433, 434, 435.1, 438; D26/129
CPC .. H01R 13/639; H01R 13/641; H01R 13/627; H01R 13/518; H01R 13/514; H01R 13/506; H01R 13/436; H01R 43/26
See application file for complete search history.

(56) **References Cited**

U.S. PATENT DOCUMENTS

D239,292 S * 3/1976 Stewart D14/242
D242,723 S * 12/1976 Jackson D14/240

D373,362 S * 9/1996 Kuroiwa D13/184
D742,323 S * 11/2015 Endo D13/147
D748,588 S * 2/2016 Endo D13/147
D816,041 S * 4/2018 Fitzgerald D13/147
D826,863 S * 8/2018 Schafmeister D13/147
10,249,987 B2 * 4/2019 Pathmanathan ... H01R 13/6295
D852,753 S * 7/2019 Endo D13/147
10,404,006 B2 * 9/2019 Kawahara H01R 13/514
D864,865 S * 10/2019 Mouchet D13/110
D865,697 S * 11/2019 Xiang D13/184
10,490,952 B2 * 11/2019 Briant H01R 13/518
2002/0037661 A1 * 3/2002 Endo H01R 13/6272
439/352

OTHER PUBLICATIONS

Energy Insight. Accessories. No date specified. <http://www.energyinsight.co.za/product-category/accessories/> (Year: 0).*

* cited by examiner

Primary Examiner — Darcey E Gottschalk
(74) *Attorney, Agent, or Firm* — Henry M. Feiereisen LLC

(57) **CLAIM**

The ornamental design for an housing for equipment for control of electric power, as shown and described.

DESCRIPTION

FIG. 1 is a front view of a housing for equipment for control of electric power, showing my new design;
FIG. 2 is a rear view thereof;
FIG. 3 is a top view thereof;
FIG. 4 is a bottom view thereof;
FIG. 5 is a right side view thereof;
FIG. 6 is a left side view thereof; and,
FIG. 7 is a top, front and right side perspective view thereof.
The broken lines depict portions of the housing for equipment for control of electric power that form no part of the claim;

1 Claim, 7 Drawing Sheets

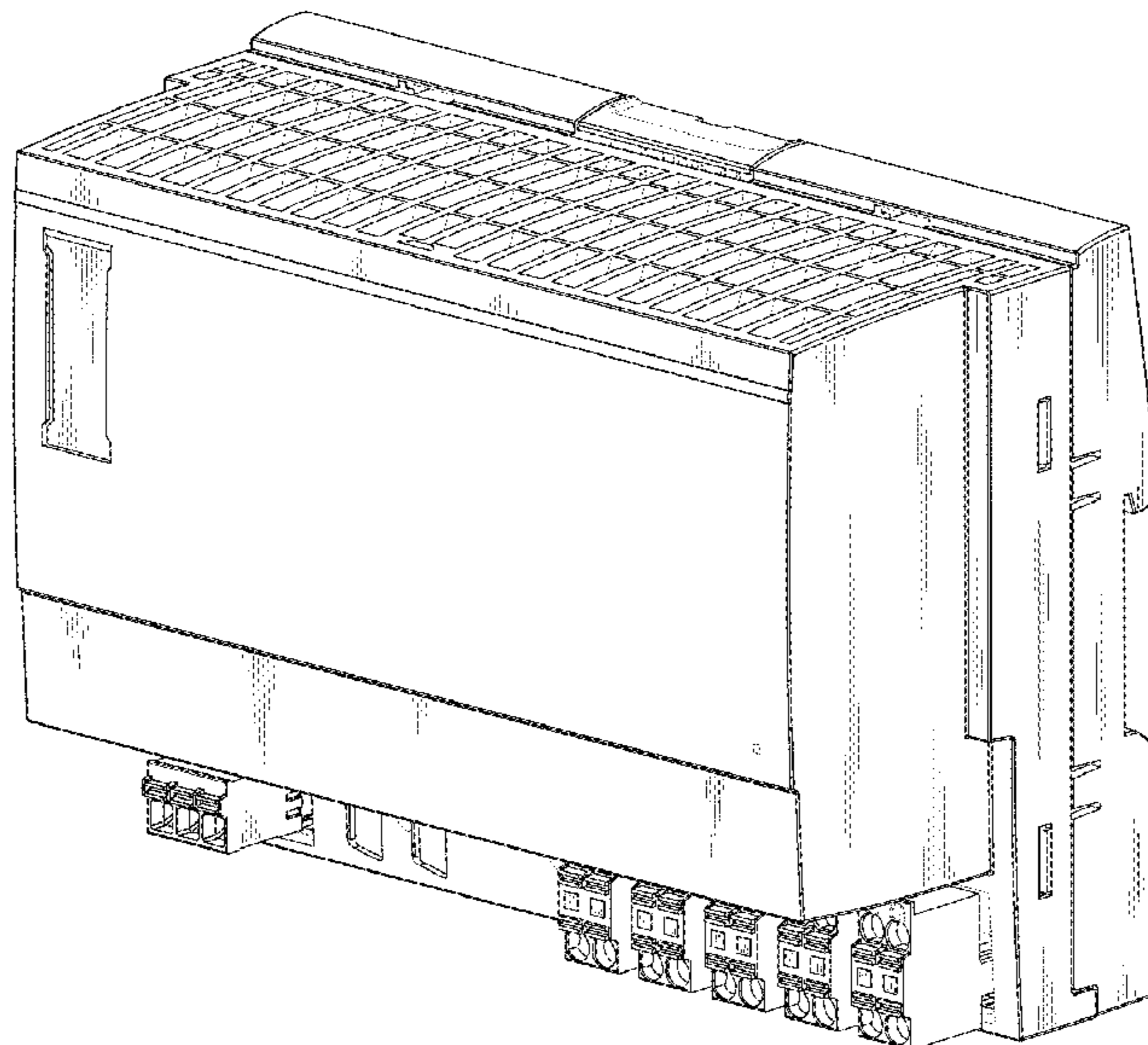


FIG. 1

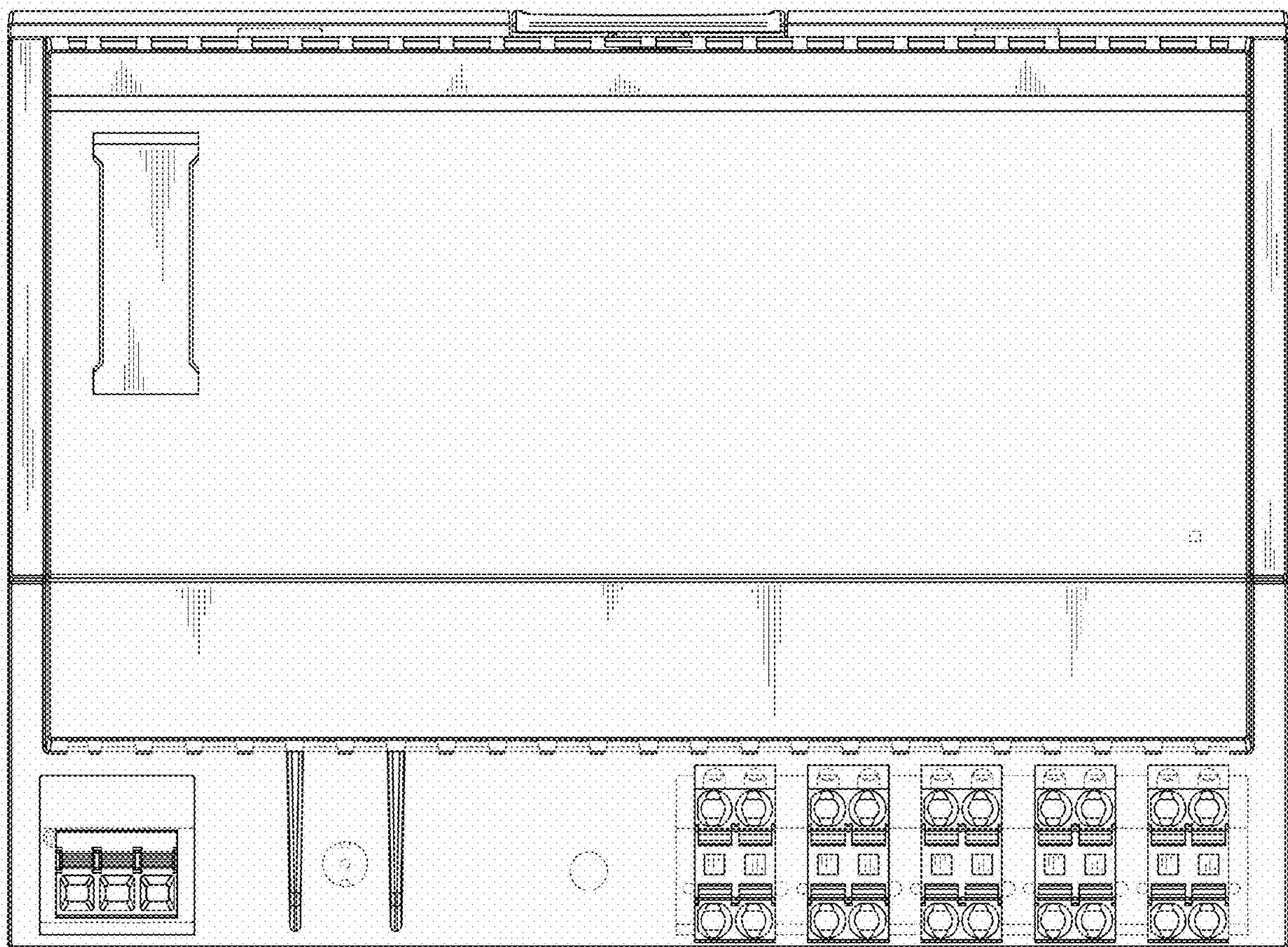


FIG. 2

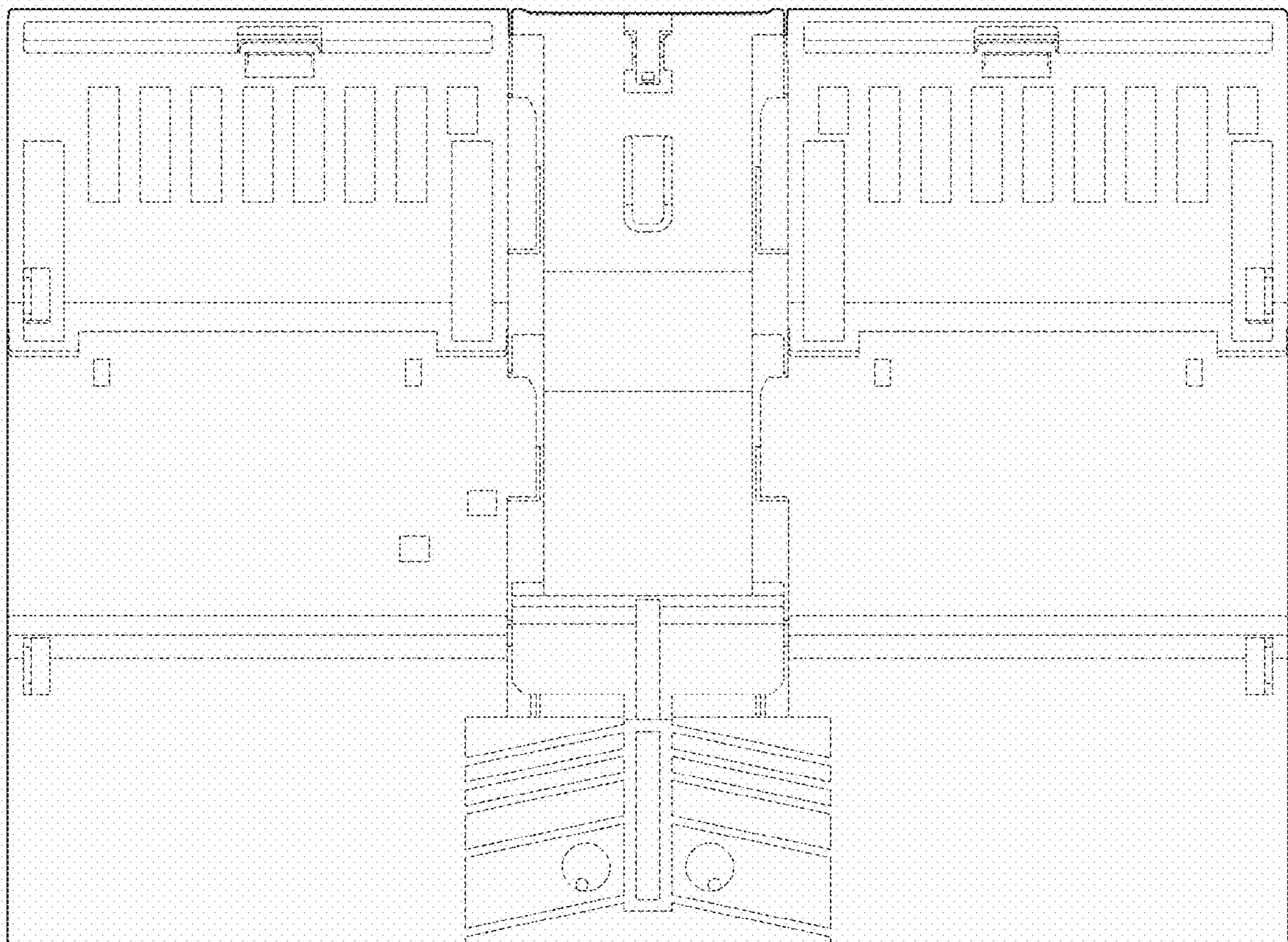


FIG. 3

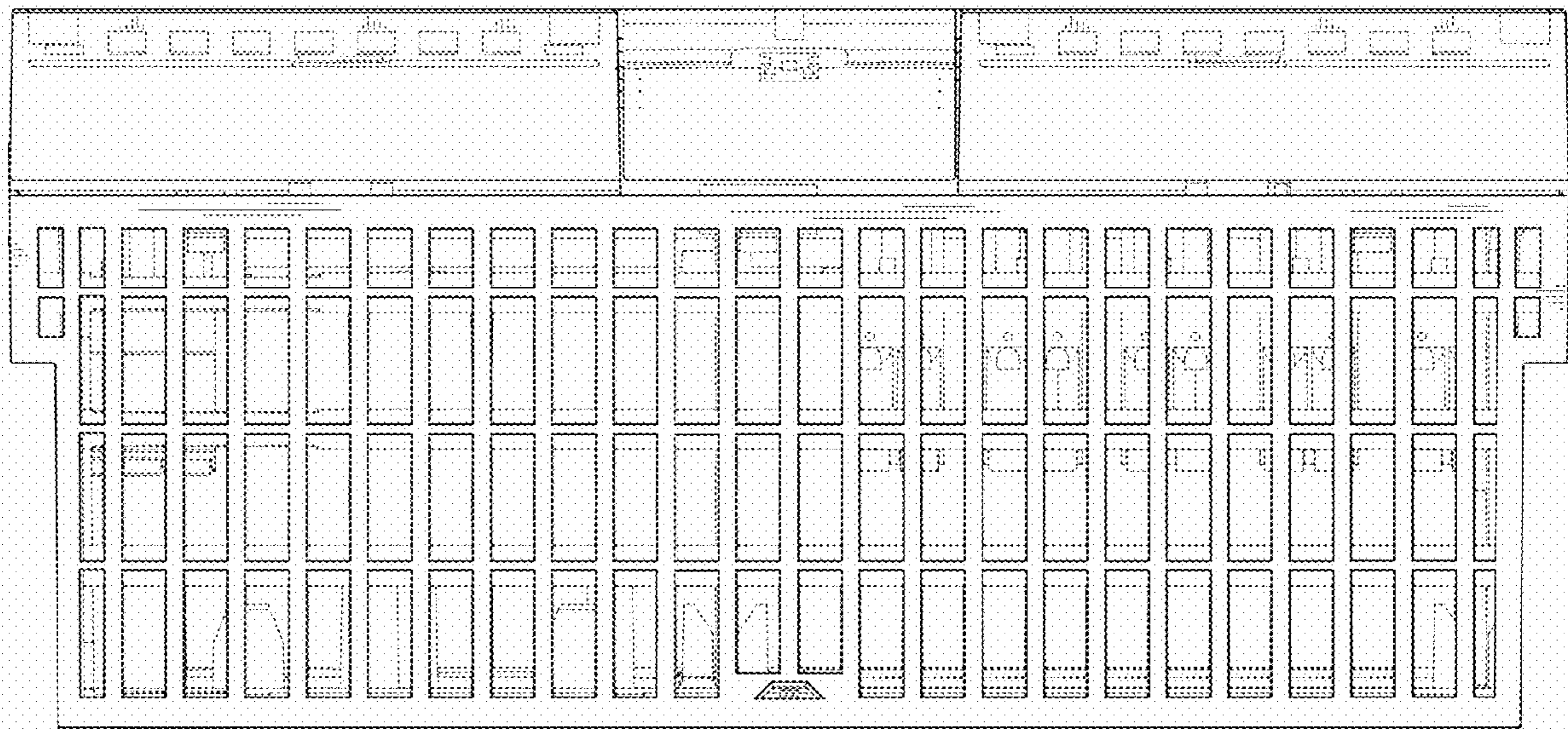


FIG. 4

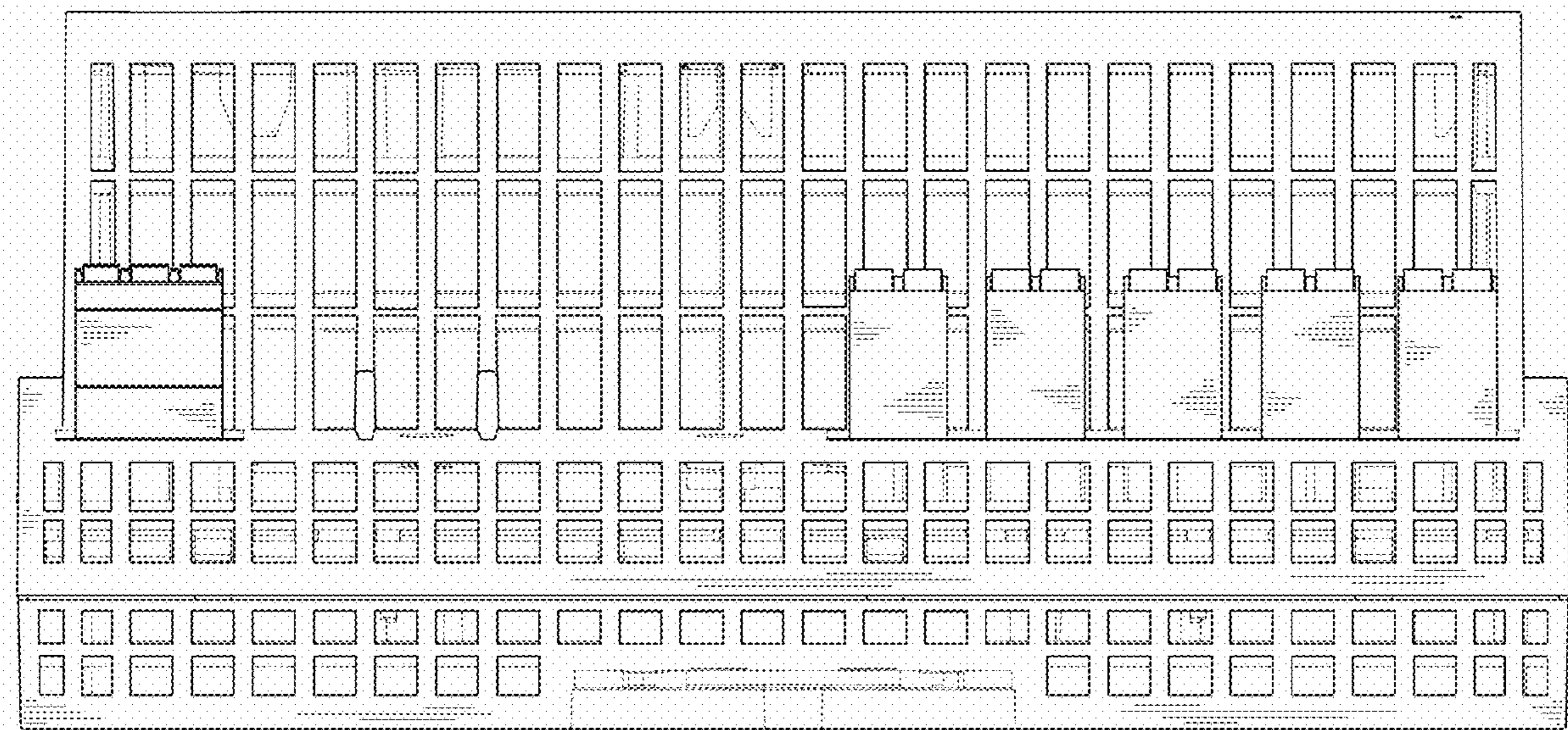


FIG. 5



FIG. 6

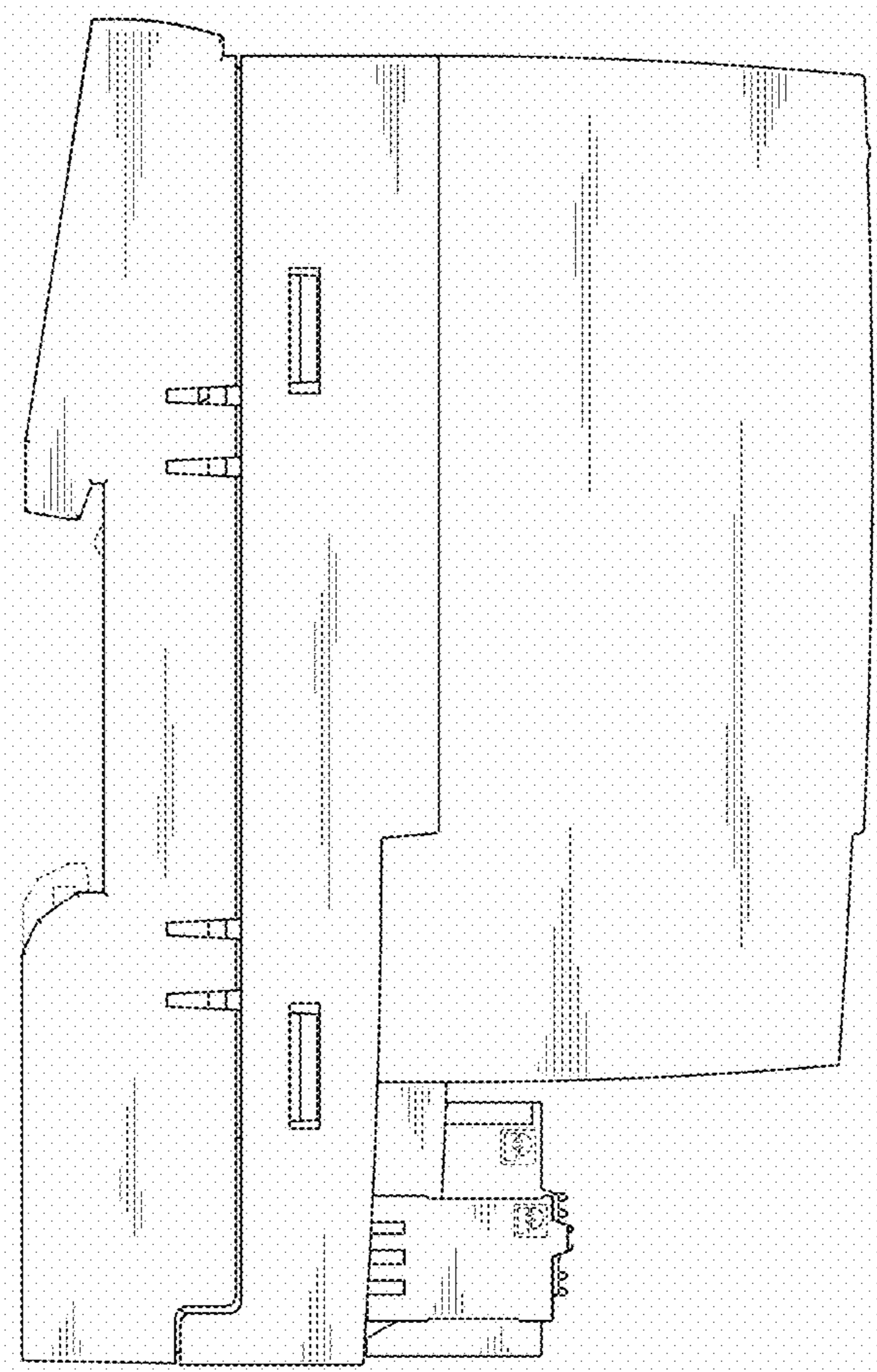


FIG. 7

