



US00D919577S

(12) **United States Design Patent** (10) **Patent No.:** **US D919,577 S**  
**Alexander et al.** (45) **Date of Patent:** **\*\* May 18, 2021**

(54) **ELECTRICAL HUB**

H02J 7/0013; H02J 7/0054; H02J 7/0055;  
H02J 7/0057; H02J 2007/0062

(71) Applicant: **HERMAN MILLER, INC.**, Zeeland, MI (US)

See application file for complete search history.

(72) Inventors: **Brian David Alexander**, Douglas, MI (US); **Peter James Keyzer**, Caledonia, MI (US)

(56) **References Cited**

U.S. PATENT DOCUMENTS

(73) Assignee: **HERMAN MILLER, INC.**, Zeeland, MI (US)

D408,355 S *	4/1999	Welsh	.....	D13/139.4
D461,451 S *	8/2002	Hawley	.....	D13/137.4
D720,289 S *	12/2014	Chiang	.....	D13/108
D748,056 S *	1/2016	Takagi	.....	D13/137.2
D774,455 S *	12/2016	Kim	.....	D13/108

(\*\*) Term: **15 Years**

(Continued)

(21) Appl. No.: **29/650,874**

OTHER PUBLICATIONS

(22) Filed: **Jun. 11, 2018**

Hermanmiller.com: Logic Reach. Published Oct. 22, 2020. Retrieved from the internet at <<https://www.hermanmiller.com/products/accessotires/power-access/logic-power-access-solutions/>>, Oct. 22, 2020. 1 page. (Year: 2020).\*

(51) **LOC (13) Cl.** ..... **13-03**

(52) **U.S. Cl.**  
USPC ..... **D13/139.4**

(58) **Field of Classification Search**  
USPC ..... D13/107, 108, 110, 123, 133,  
D13/137.1-137.4, 138.1-138.2,  
D13/139.1-139.8, 146, 147, 151-156,  
D13/184, 199, 164, 103; D8/350,  
D8/353-356

*Primary Examiner* — Rosemary K Tarcza

*Assistant Examiner* — Christy M Nemeth

(74) *Attorney, Agent, or Firm* — Michael Best & Friedrich LLP

CPC ..... H01R 11/00; H01R 9/00; H01R 13/00;  
H01R 13/04; H01R 13/10; H01R  
13/6666; H01R 13/6675; H01R 13/46;  
H01R 25/00; H01R 25/006; H01R 24/28;  
H01H 2207/00; H01H 2207/022; H01B  
7/2806; Y02E 60/10; Y02E 60/12; Y02E  
60/122; Y02E 60/124; Y02E 60/50;  
H01M 2/02; H01M 2/022; H01M 2/0202;  
H01M 2/0207; H01M 2/0212; H01M  
2/1061; H01M 2/1022; H01M 2/1055;  
H01M 2/1066; H01M 2/105; H01M 2/20;  
H01M 2/202; H01M 2/204; H01M 2/206;  
H01M 10/44; H01M 10/46; H01M  
10/465; H01M 10/482; H01M 10/4257;  
H01M 10/0436; H01M 10/48; H01M  
2200/30; H01M 2250/30; H01M 2250/40;  
H02J 7/00; H02J 7/0003; H02J 7/0011;

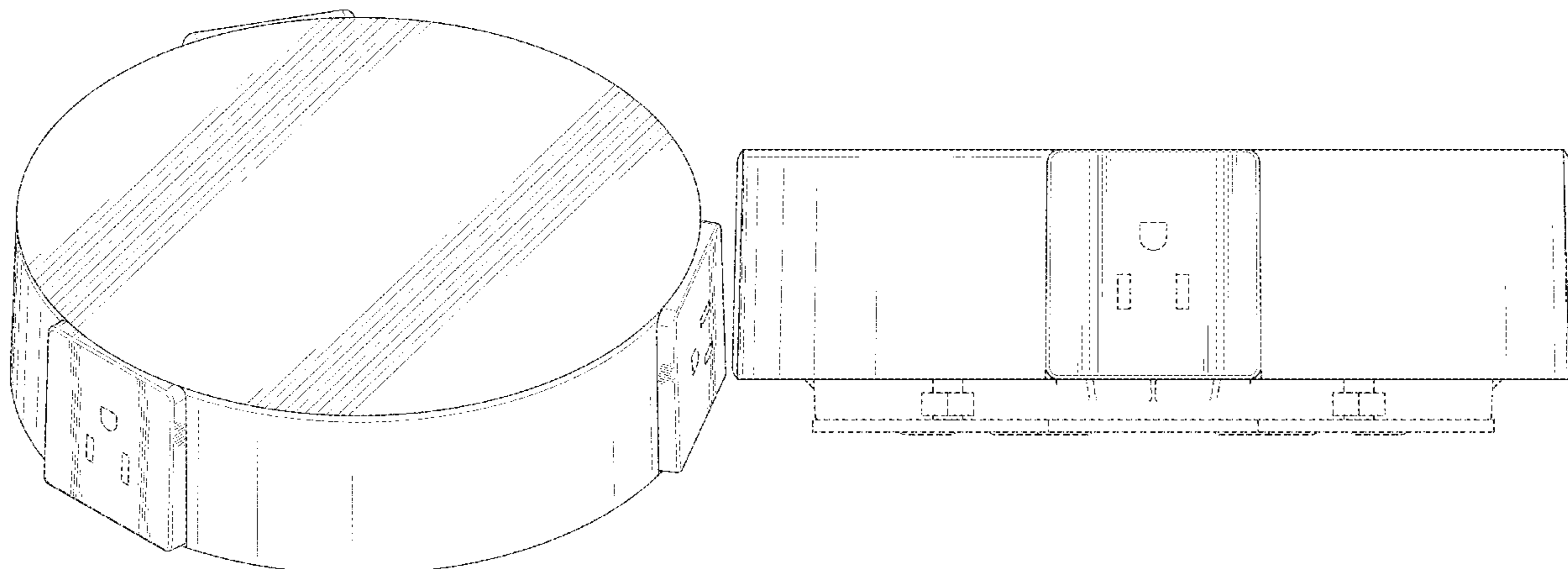
(57) **CLAIM**

We claim the ornamental design for an electrical hub, as shown and described.

**DESCRIPTION**

FIG. 1 is a perspective view of an electrical hub of our new design;  
FIG. 2 is a first side view thereof;  
FIG. 3 is a second side view thereof;  
FIG. 4 is a third side view thereof;  
FIG. 5 is a fourth side view thereof;  
FIG. 6 is a top view thereof; and,  
FIG. 7 is a bottom view thereof.

(Continued)



The broken lines in the drawings are for the purpose of illustrating portions of the electrical hub that form no part of the claimed design.

**1 Claim, 6 Drawing Sheets**

(56) **References Cited**

U.S. PATENT DOCUMENTS

D775,589 S \* 1/2017 Soffer ..... D13/139.1  
D784,259 S \* 4/2017 Huang ..... D13/108  
D796,442 S \* 9/2017 Xu ..... D13/139.6  
D829,176 S \* 9/2018 Duque ..... D13/139.4  
D837,148 S \* 1/2019 Brown ..... D13/108  
D840,947 S \* 2/2019 Pierce ..... D13/155  
D841,573 S \* 2/2019 Tyrrell ..... D13/103  
D844,566 S \* 4/2019 Yu ..... D13/139.7  
10,367,317 B1 \* 7/2019 Rahner ..... H01R 13/506  
D855,567 S \* 8/2019 Cai ..... D13/108  
D877,073 S \* 3/2020 Zheng ..... D13/108  
2018/0023802 A1 \* 1/2018 Duque ..... H02J 7/0042  
362/413  
2019/0379172 A1 \* 12/2019 Alexander ..... H01R 13/112

\* cited by examiner

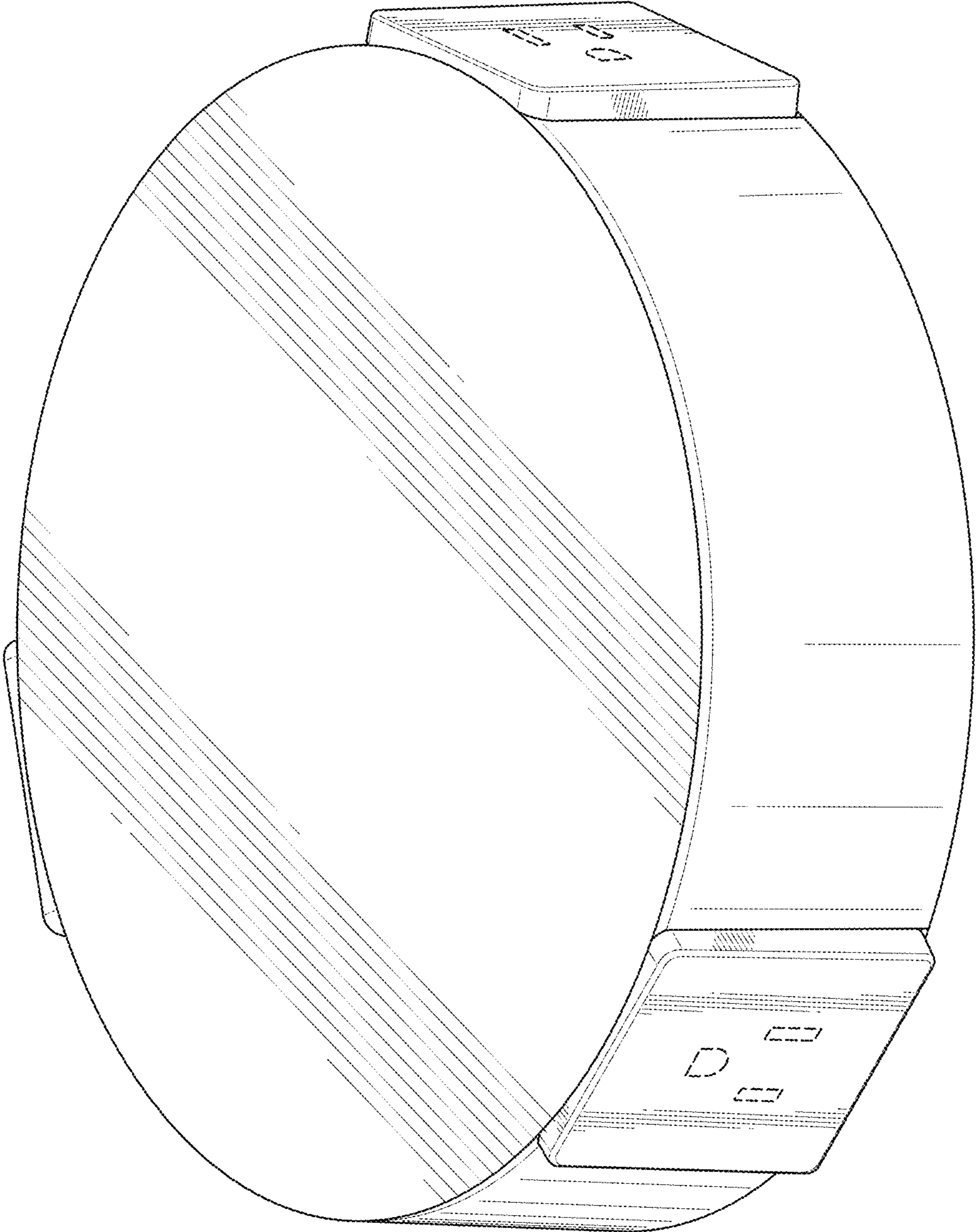


FIG. 1

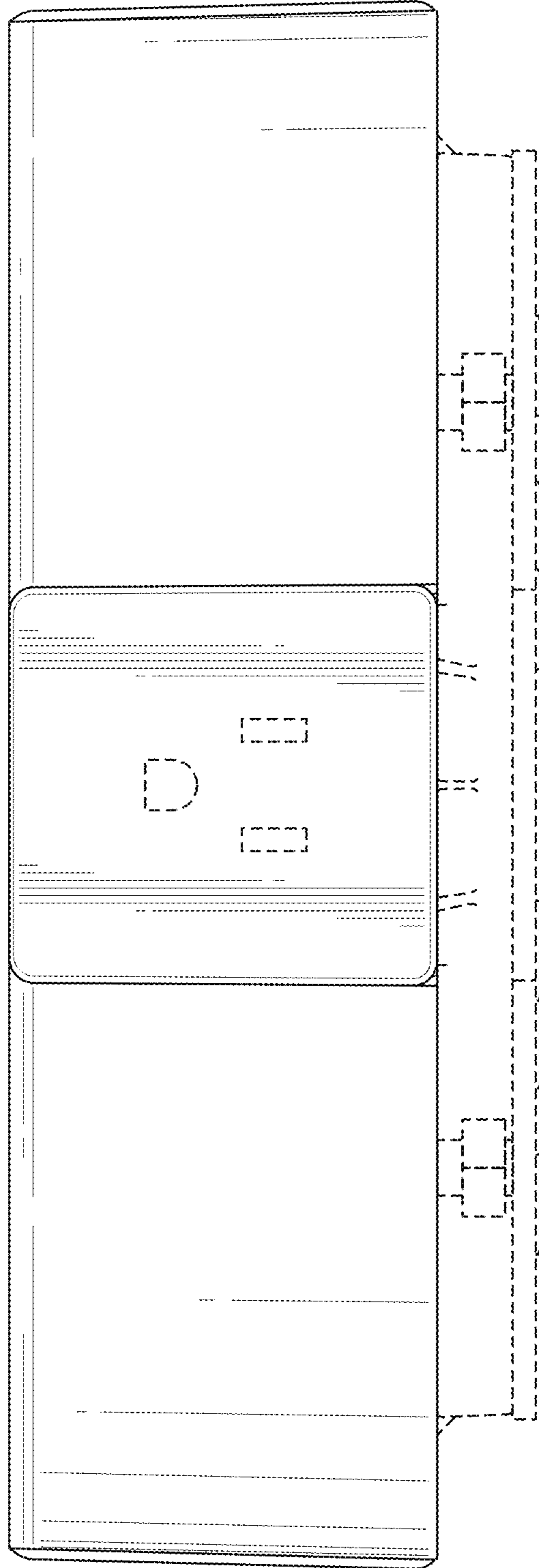


FIG. 2

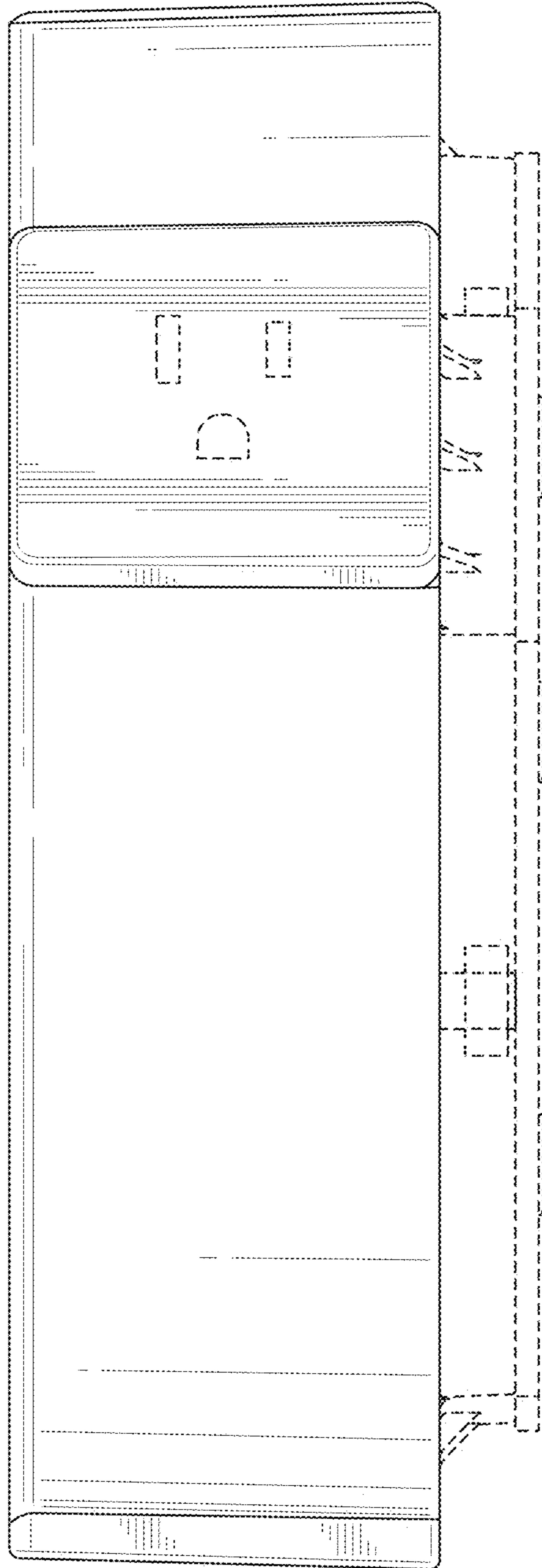


FIG. 3



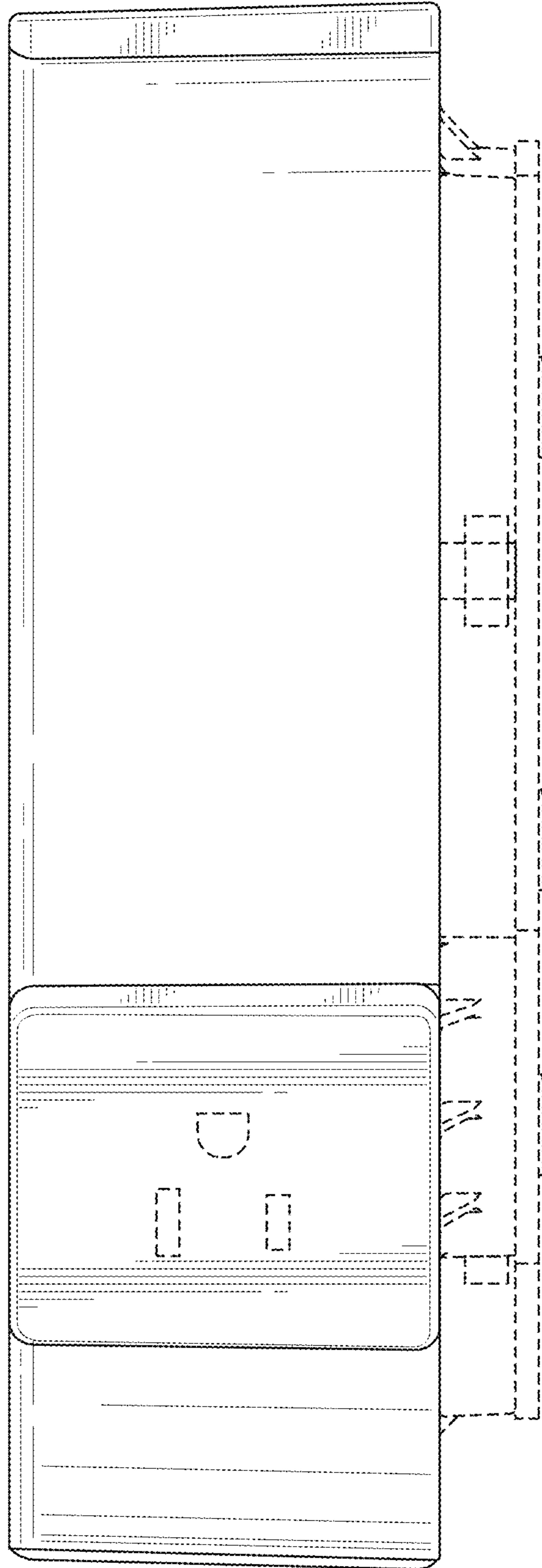


FIG. 4

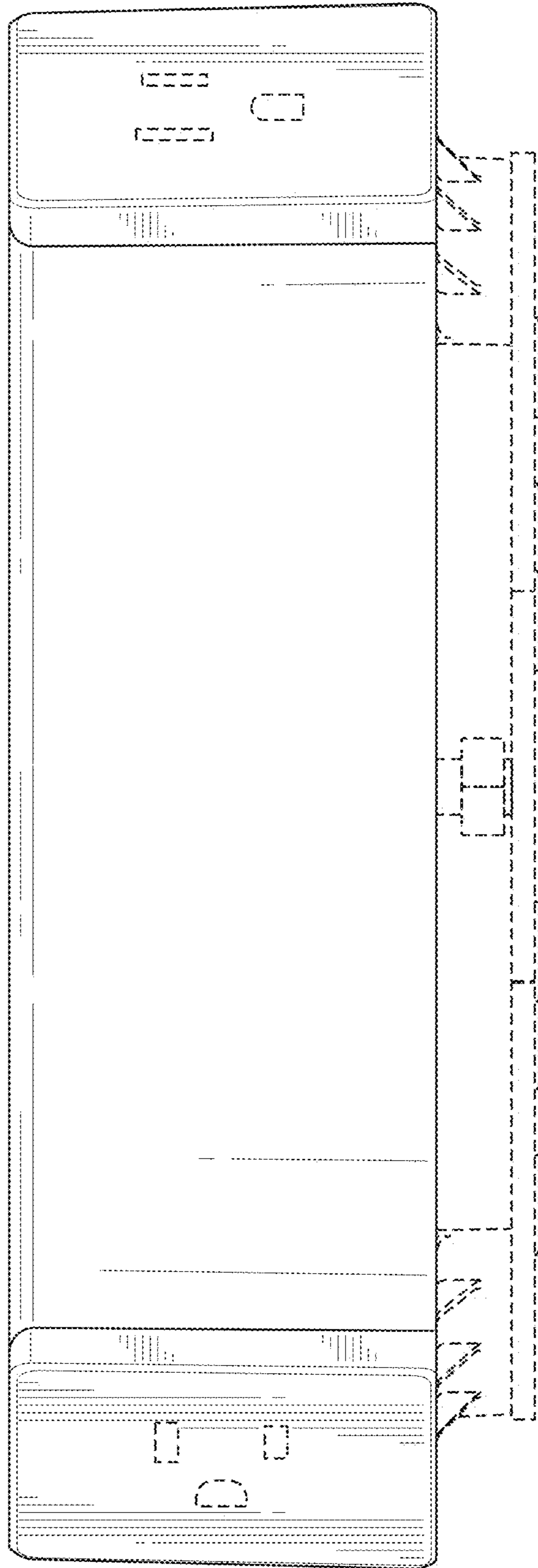


FIG. 5

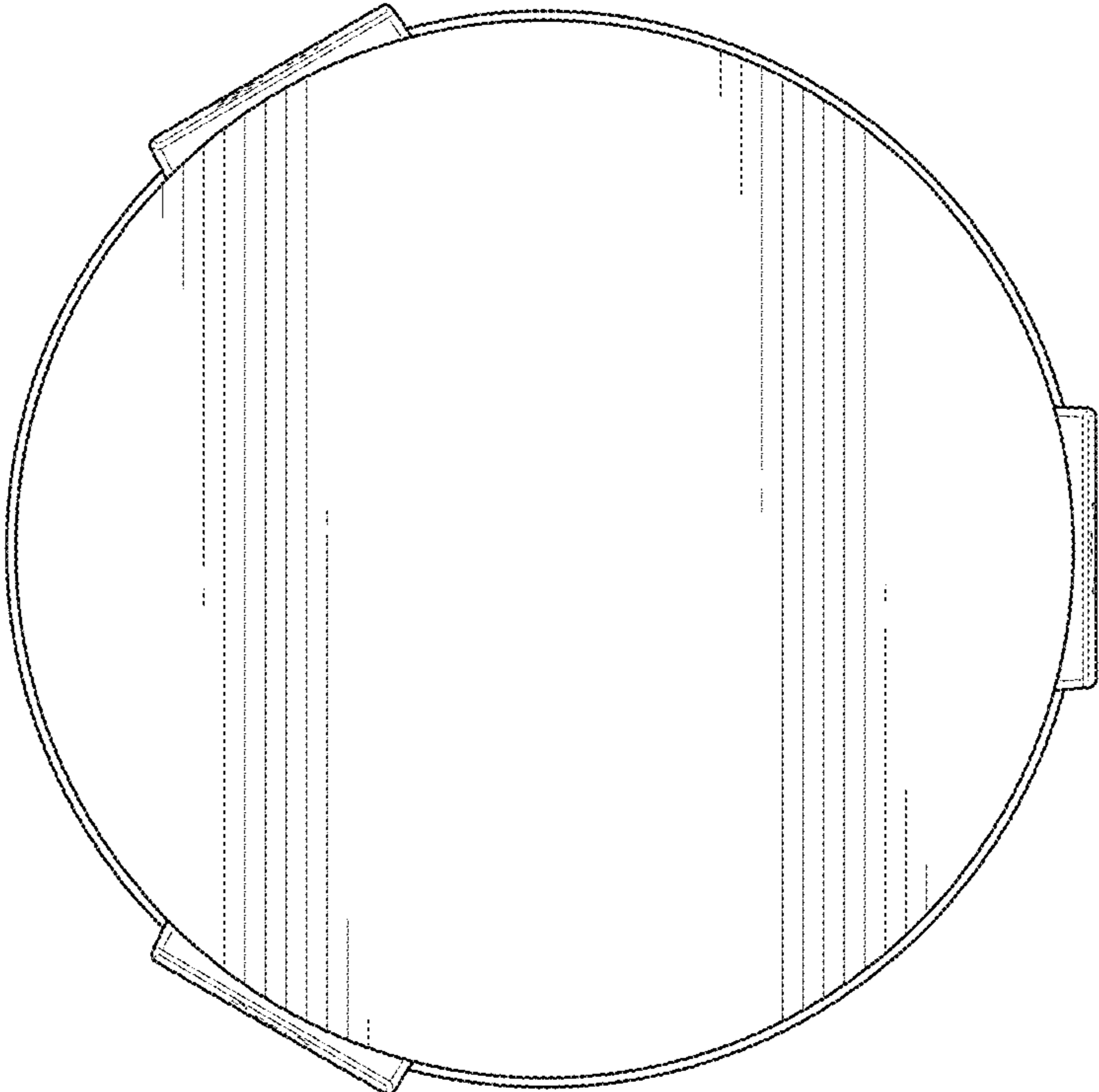


FIG. 6

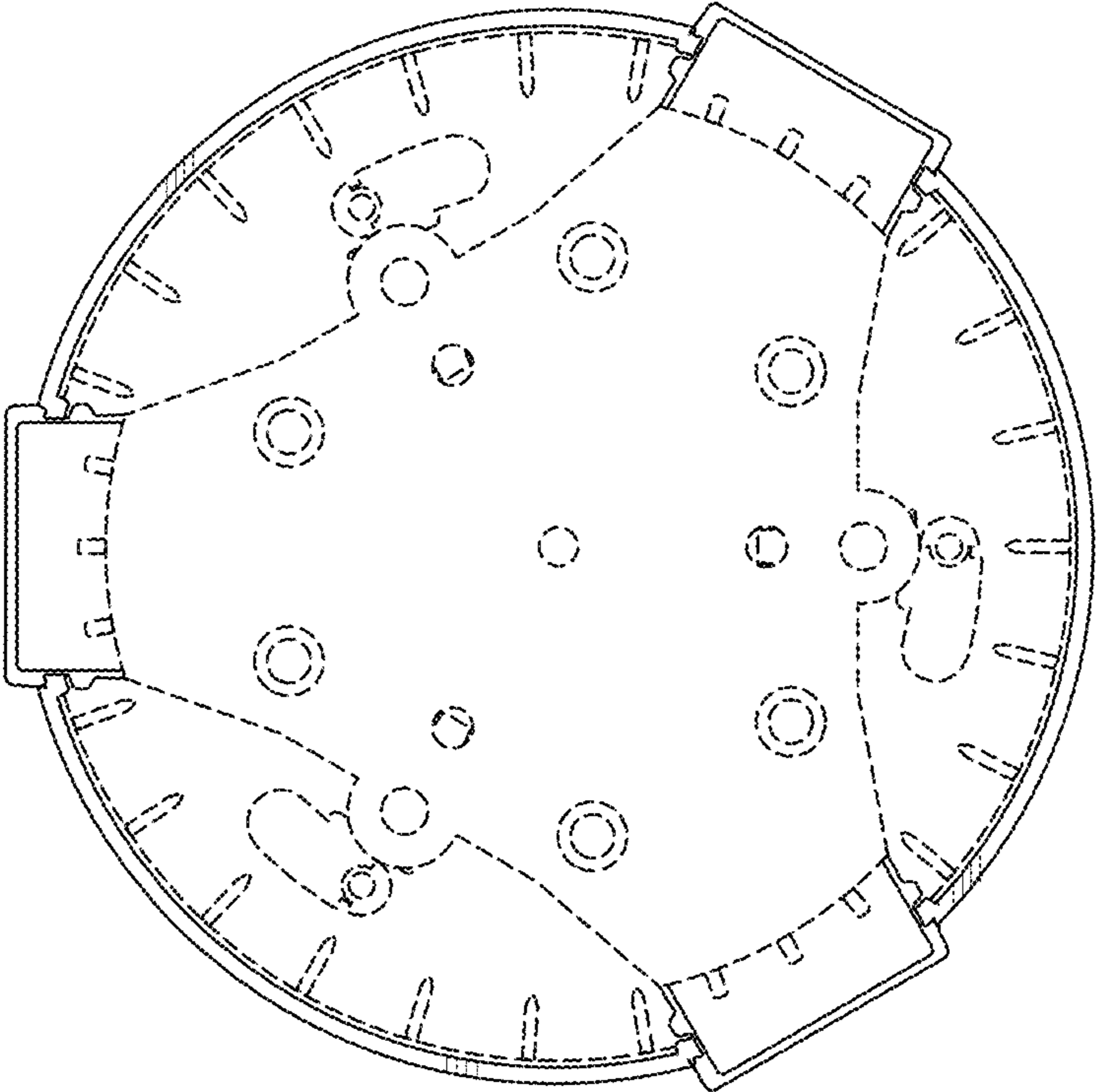


FIG. 7