



US00D919575S

(12) **United States Design Patent** (10) **Patent No.:** **US D919,575 S**
Anderson (45) **Date of Patent:** **** *May 18, 2021**

(54) **WIRE CONNECTOR**
(71) Applicant: **Stephen J. Anderson**, Storm Lake, IA (US)
(72) Inventor: **Stephen J. Anderson**, Storm Lake, IA (US)

2,735,043 A 2/1956 Speck
2,774,953 A 12/1956 Trier
2,780,793 A 2/1957 Gambale
2,907,978 A 10/1959 Bergan
3,056,381 A 10/1962 Barnet
3,081,875 A 3/1963 Parks
3,340,372 A 9/1967 Schaefer
(Continued)

(73) Assignee: **MERRILL MANUFACTURING COMPANY**, Storm Lake, IA (US)

FOREIGN PATENT DOCUMENTS

(*) Notice: This patent is subject to a terminal disclaimer.

DE 1199349 8/1965
DE 4420072 A1 12/1994

(**) Term: **15 Years**

OTHER PUBLICATIONS

(21) Appl. No.: **29/727,659**

Merrill Heavy-Duty Pressure Switch Features and Benefits, dated Jul. 12, 2019, [online], [site visited Sep. 11, 2020]. Available from Internet, URL: <https://www.youtube.com/watch?v=IrA2yCRINBE> (Year: 2019).*

(22) Filed: **Mar. 12, 2020**

(Continued)

Related U.S. Application Data

(63) Continuation of application No. 29/682,383, filed on Mar. 5, 2019, now Pat. No. Des. 881,817.

Primary Examiner — Shawn T Gingrich
(74) *Attorney, Agent, or Firm* — Sturm & Fix LLC

(51) **LOC (13) Cl.** **13-03**

(52) **U.S. Cl.**
USPC **D13/133**

(57) **CLAIM**

(58) **Field of Classification Search**
USPC D13/110, 118–120, 123, 133, 154, 158, D13/173, 184, 199, 146, 147
CPC ... H01R 4/00; H01R 4/10; H01R 4/20; H01R 4/28; H01R 4/70; H01R 9/24; H01R 11/09; H01R 11/12; H01R 11/28; H01R 13/52; H01R 4/34; H01R 4/48; H01R 4/50; H01R 9/18; H01R 11/03; H02G 3/00; H02G 3/04; H02G 15/02; H01H 35/00; H01H 35/34; H01H 35/38; F04B 23/02; F04B 49/06

The Ornamental design for a wire connector, as shown and described.

DESCRIPTION

See application file for complete search history.

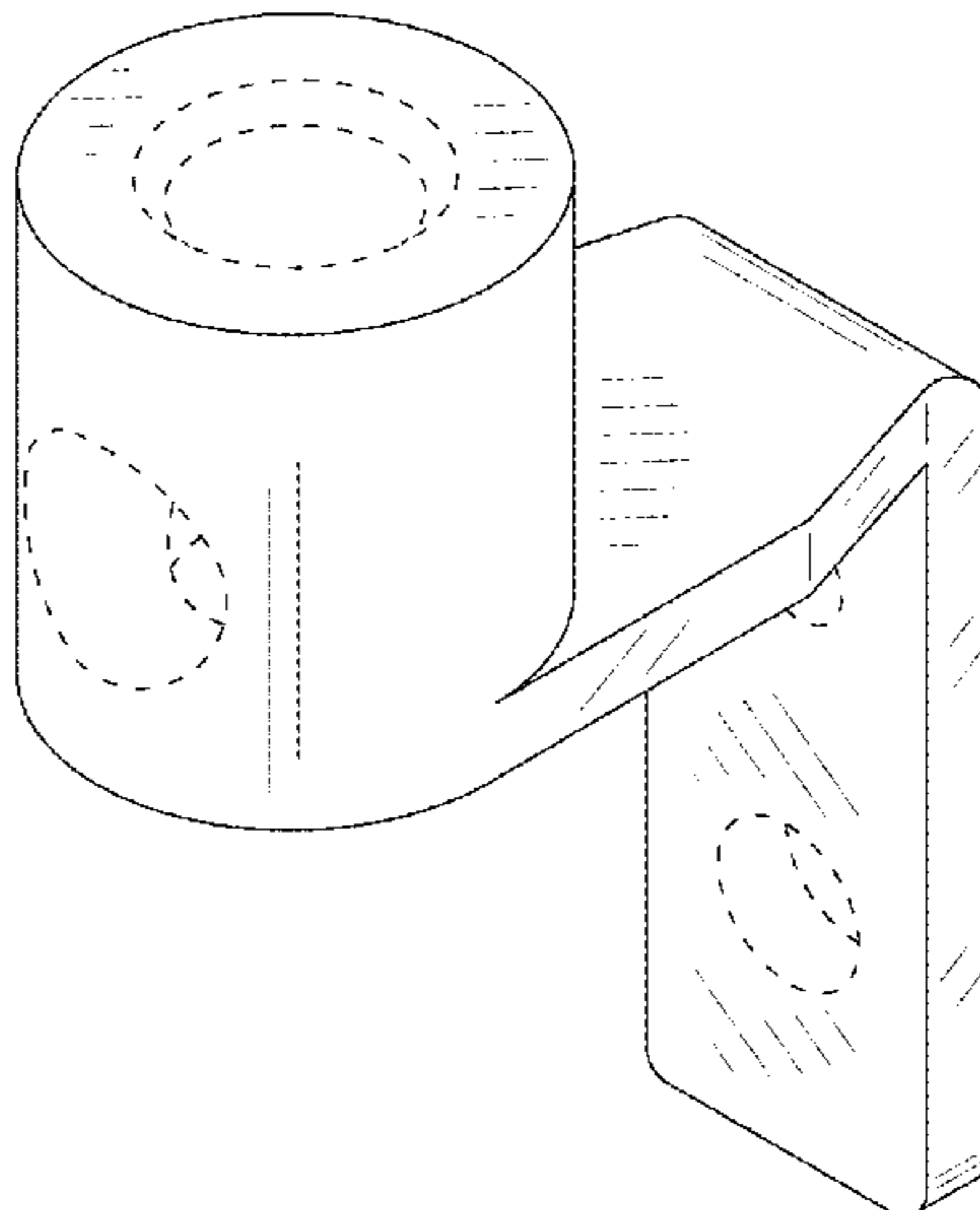
FIG. 1 is a perspective view of a wire connector showing my new design,
FIG. 2 is a rear elevational view thereof,
FIG. 3 is a front elevational view thereof,
FIG. 4 is a top plan view thereof,
FIG. 5 is a bottom plan view thereof,
FIG. 6 is a right side elevational view thereof; and,
FIG. 7 is a left side elevational view thereof.
The broken line portion of the figure drawings is included to show portions of the wire connector that form no part of the claimed design.

(56) **References Cited**

U.S. PATENT DOCUMENTS

2,040,181 A 5/1936 Mekelburg
2,316,286 A 4/1943 Raney

1 Claim, 7 Drawing Sheets



(56)

References Cited

U.S. PATENT DOCUMENTS

3,742,166 A 6/1973 Schaeter
 4,669,806 A 6/1987 Fuchs
 4,869,682 A * 9/1989 Volk H04Q 1/028
 439/344
 4,882,459 A 11/1989 Edwards et al.
 4,998,097 A 3/1991 Noth et al.
 5,046,173 A 9/1991 Wall
 5,064,384 A 11/1991 Weaver
 5,206,789 A 4/1993 Barbry
 5,446,431 A 8/1995 Leach et al.
 5,595,505 A * 1/1997 Duke H01R 4/34
 439/630
 5,600,536 A 2/1997 Newsome et al.
 5,664,971 A 9/1997 Coy
 6,910,912 B2 6/2005 Hung
 6,953,373 B1 10/2005 Vos
 7,044,776 B2 5/2006 King et al.
 D545,304 S 6/2007 Sergi
 7,384,297 B2 6/2008 King et al.
 7,431,611 B2 10/2008 King et al.
 7,513,790 B2 4/2009 Keeven
 D618,619 S * 6/2010 Walter D13/147
 7,798,869 B1 9/2010 Konopacki
 7,867,002 B1 1/2011 Lin et al.
 D708,146 S 7/2014 Soni
 D714,730 S * 10/2014 Osada D13/147
 9,048,555 B2 6/2015 Chow
 D759,595 S 6/2016 Enomoto et al.
 9,425,596 B2 8/2016 Laverdiere
 9,444,171 B1 9/2016 Li
 D777,111 S 1/2017 Zantout et al.
 D798,237 S 9/2017 Peng
 9,933,460 B2 4/2018 Rohr et al.
 10,109,943 B2 10/2018 Miyamura et al.
 D847,095 S * 4/2019 Wan D13/147
 D862,394 S 10/2019 Hernandez et al.
 10,498,050 B1 12/2019 Liang et al.
 D881,817 S * 4/2020 Anderson D13/133
 2005/0118851 A1 * 6/2005 King, Jr. H01R 4/36
 439/276
 2012/0322311 A1 * 12/2012 Sugiyama H01R 43/20
 439/625
 2016/0126644 A1 * 5/2016 Yamada H01R 4/489
 439/816

2016/0281703 A1 * 9/2016 Anderson F04B 49/06
 2017/0237185 A1 * 8/2017 Tamura H01R 9/18
 310/71
 2018/0337471 A1 * 11/2018 Yamamoto H01R 9/2416
 2020/0122657 A1 * 4/2020 Goto B60R 16/0238
 2021/0036439 A1 * 2/2021 Matsuyama H05K 9/00

OTHER PUBLICATIONS

Inspectapedia pressure switch, dated Jul. 12, 2019, [online], [site visited Sep. 11, 2020]. Available from Internet, URL: <http://inspectapedia.com/water/PressureSwitch004DJFs.jpg> (Year: 2011).
 Pressure Switch Adjustment, dated Sep. 2, 2014, [online], [site visited Jan. 30, 2020]. Available from Internet, URL: <https://www.youtube.com/watch?v=5WNbxu9ufPs> (Year: 2014).
 Replacing a well pump pressure switch (burnt contact points), dated May 2, 2017, [online], [site visited Sep. 11, 2020]. Available from Internet, URL: <https://www.youtube.com/watch?v=DmCoc4e2gyl> (Year: 2017).
 Merrill Heavy-Duty Pressure Switch Features and benefits, available date Jul. 12, 2019, [online], [site visited Mar. 9, 2021], Available from Internet URL: <https://www.youtube.com/watch?v=lrA2yCRINBE> (Year: 2019).
 Nater Well Journal Mar. 2018 3 pages—Cover, p. 2 & p. 67 National Groundwater Association United States.
 Thomas & Betts Catalog 2002 1 page—p. F64 Thomas & Betts Corporation United States.
 Thomas & Betts Catalog 2002 1 page—p. F74 Thomas & Betts Corporation United States.
 Back Oak Foundry Flyer Admitted to be prior to Mar. 2018 p. 1 of 1 Black Oak Foundry United States.
 Schneider 9998PC241 advertisement Dec. 2, 2011.
 Schneider 9998PC242 advertisement Dec. 2, 2011.
 Square D 9013B2 Dec. 2, 1982.
 Square D Amazon “Replacement Contact Kit, FSG Series, Brand, Square D.”.
 Thomas & Betts Catalog Jan. 1, 2002.
 Merrill Manufacturing advertisement Jan. 24, 2018.
 Tyco Drawing No. C-54725 Jan. 2008.
 Tyco Drawing No. C-321867-1 Jan. 2008.
 Te Drawing No. C-322906 Mar. 2011.

* cited by examiner

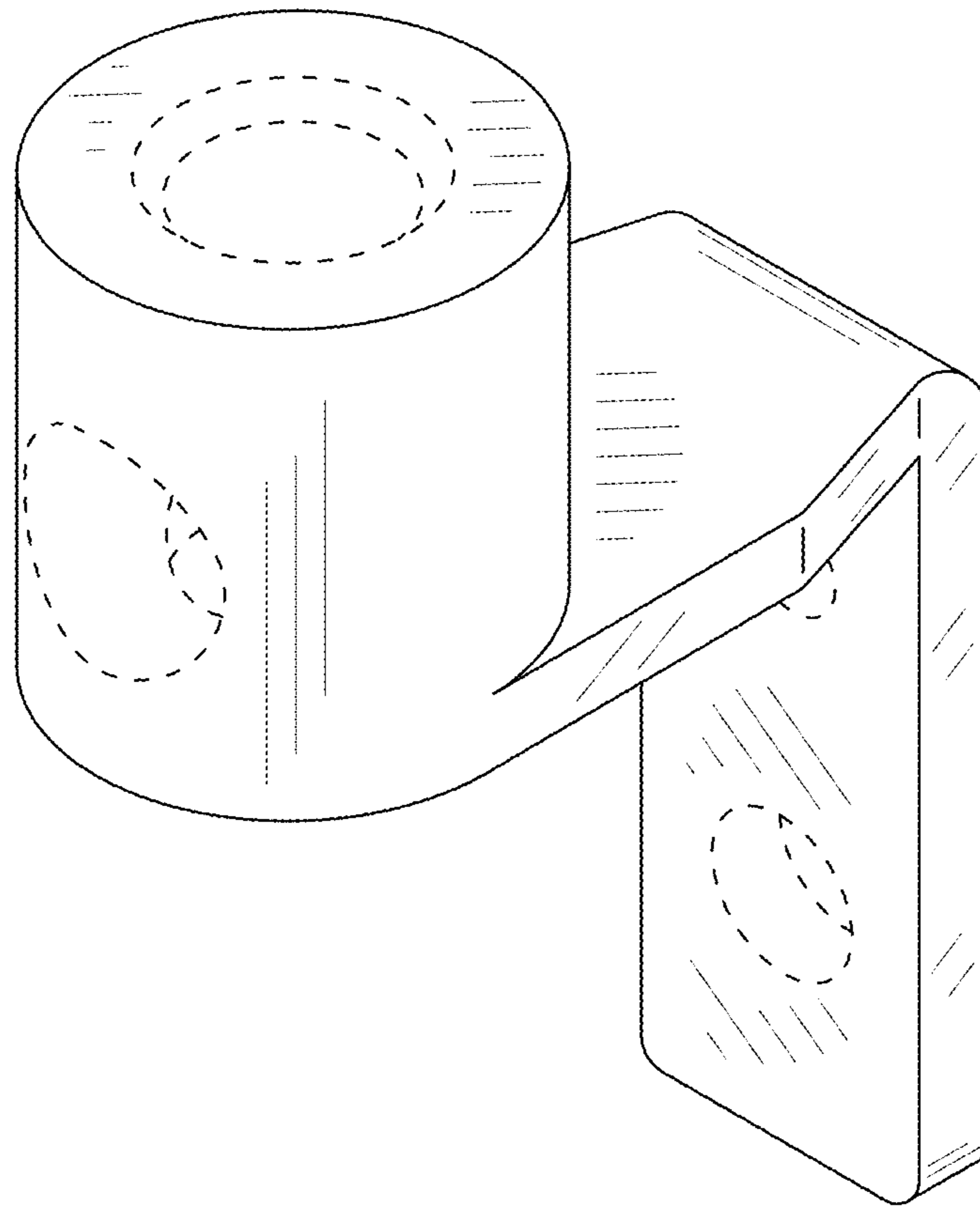


FIG. 1

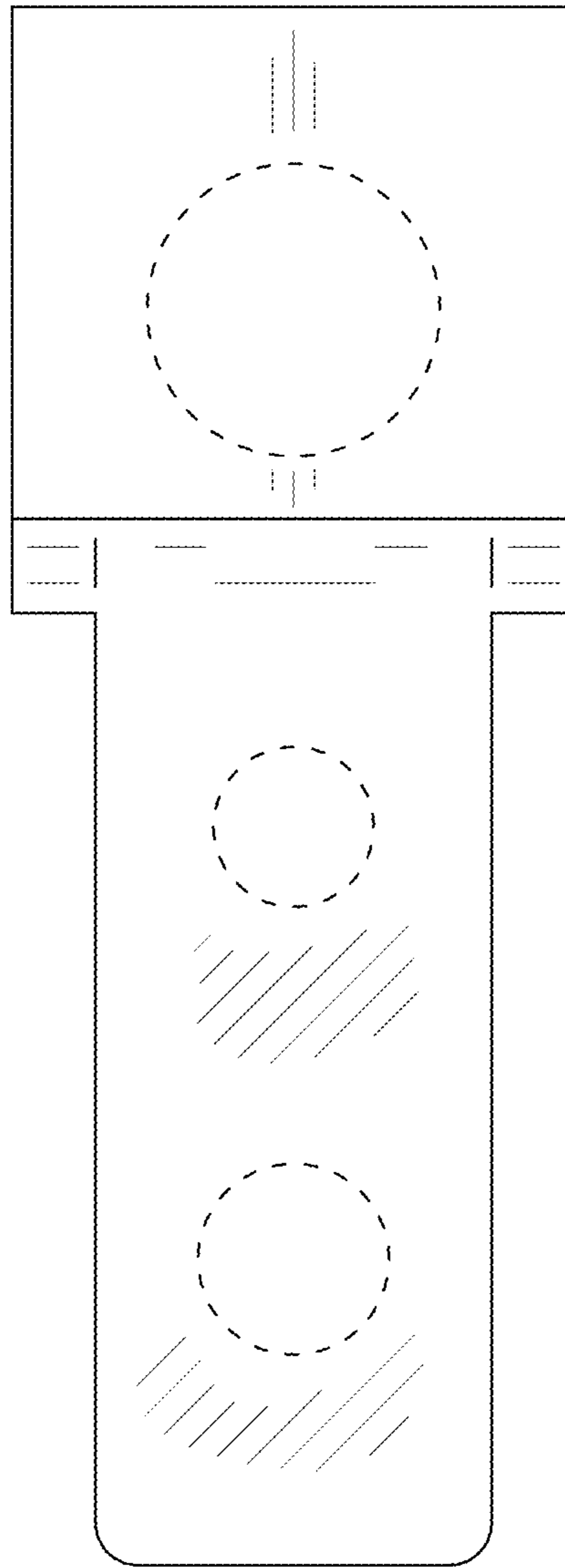


FIG. 2

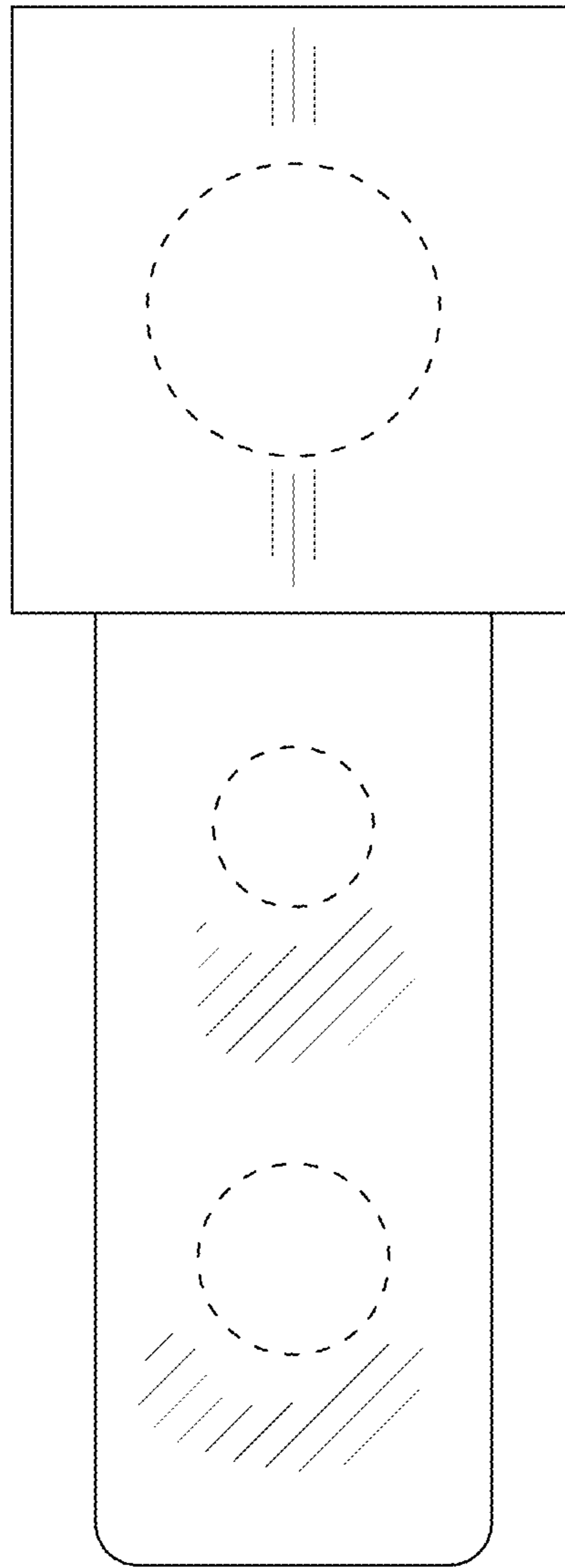


FIG. 3

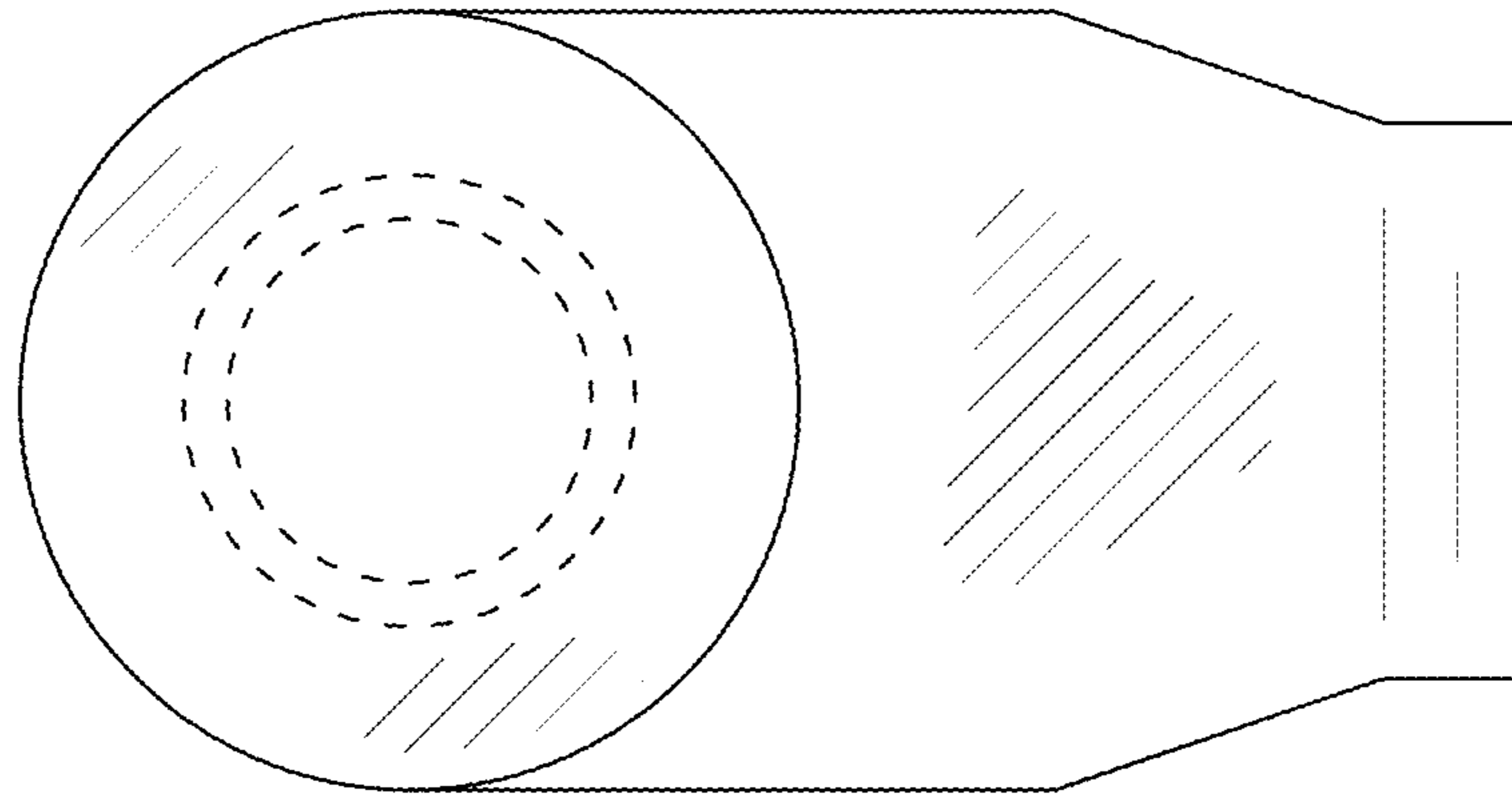


FIG. 4

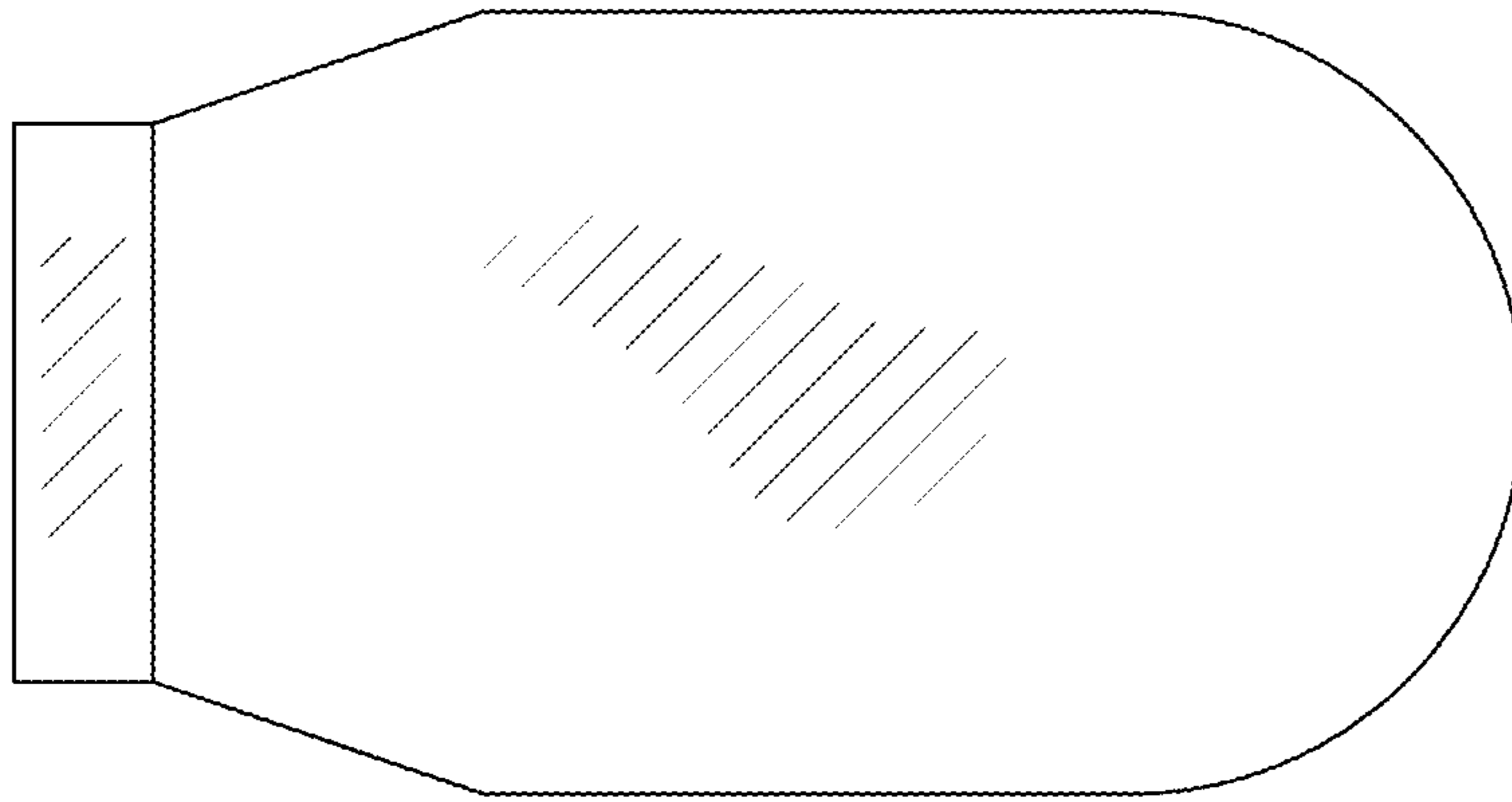


FIG. 5

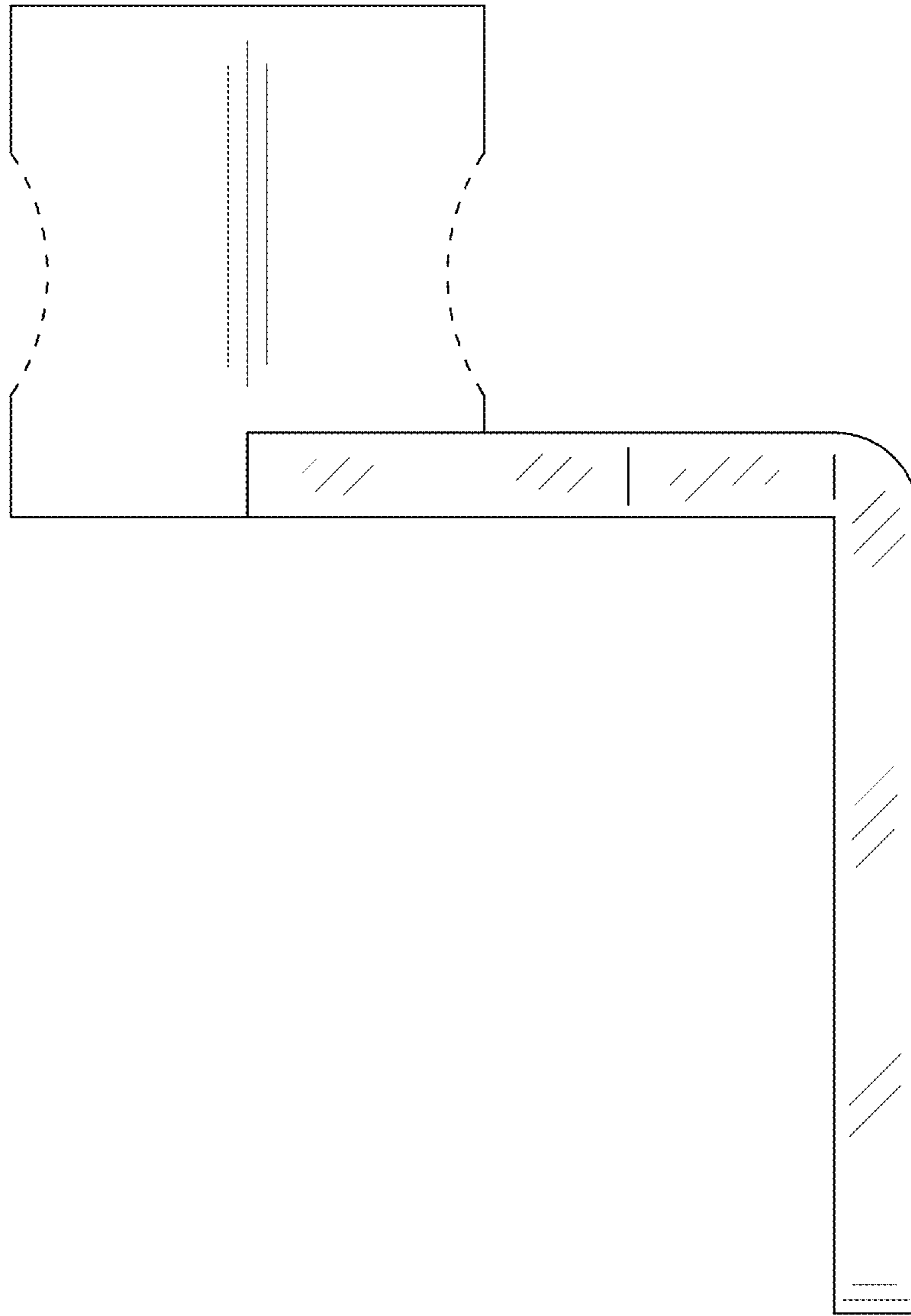


FIG. 6

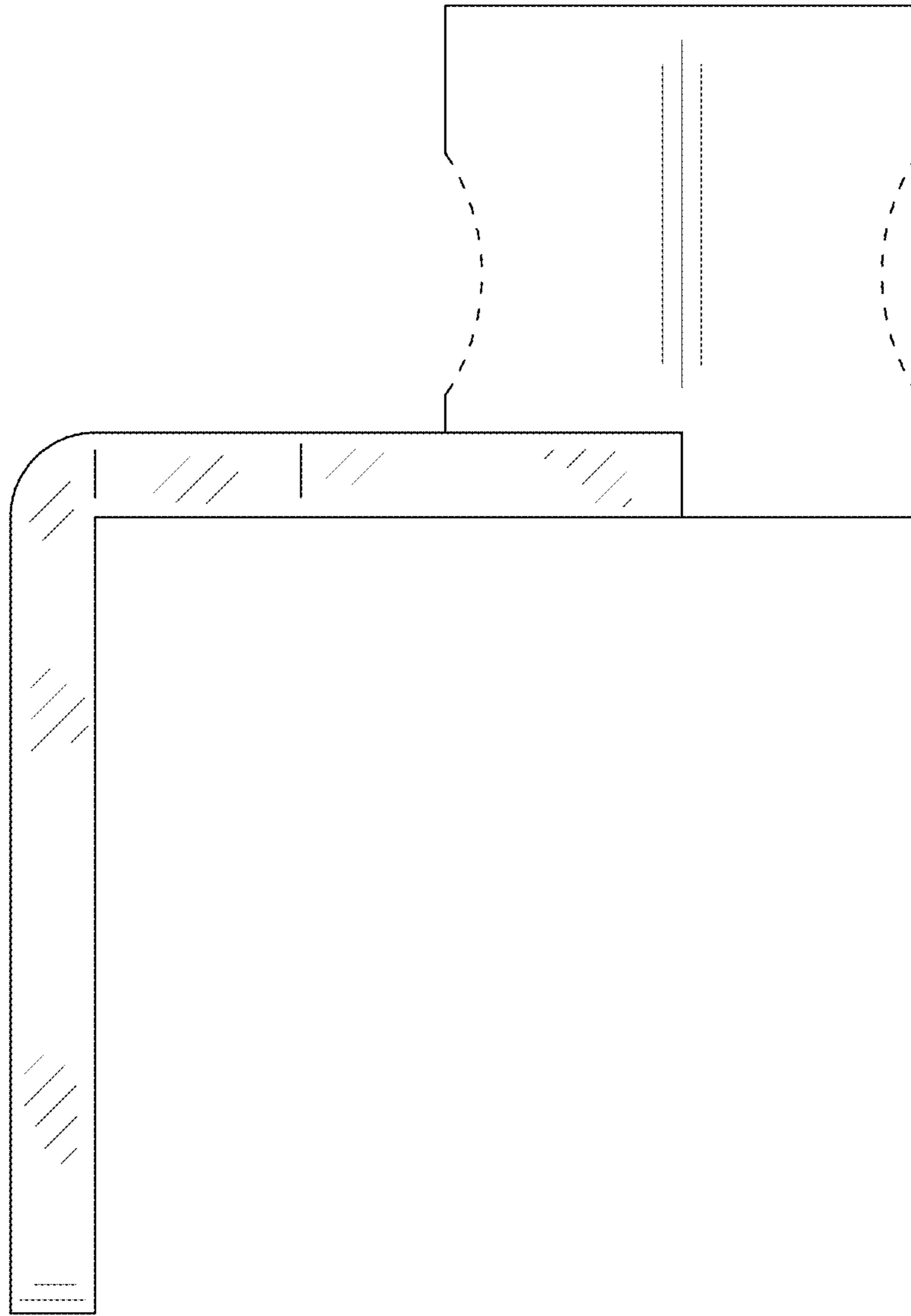


FIG. 7