



US00D919574S

(12) **United States Design Patent** (10) **Patent No.:** **US D919,574 S**  
**Ng** (45) **Date of Patent:** **\*\* May 18, 2021**

(54) **CONNECTOR**

(71) Applicant: **LEYO HOLDINGS SDN BHD**, Batu Pahat (MY)

(72) Inventor: **Teck Lai Ng**, Batu Pahat (MY)

(73) Assignee: **Leyo Holdings Sdn Bhd**, Mukim Minyak Beku (MY)

(\*\*) Term: **15 Years**

(21) Appl. No.: **29/727,199**

(22) Filed: **Mar. 9, 2020**

(51) **LOC (13) Cl.** ..... **13-03**

(52) **U.S. Cl.**  
USPC ..... **D13/133**

(58) **Field of Classification Search**  
USPC ..... D13/120, 121, 133, 146, 147, 153, 199, D13/154, 156, 184; D24/106; D14/432, D14/433, 434, 435.1, 438  
CPC .. H01R 13/506; H01R 13/516; H01R 13/518; H01R 13/58; H01R 13/627; H01R 13/6315; H01R 13/00; H01R 13/24; H01R 13/26; H01R 13/28; H01R 13/508; H01R 13/523; H01R 13/585; H01R 13/6271; H01R 13/6275; H01R 13/635; H01R 13/639; H01R 13/64; H01R 13/642; H01R 13/6453; H01R 13/6474; H01R 13/6581; H01R 13/6582; H01R 13/6586; H01R 13/6587; H01R 13/6588; H01R 13/659; H01R 13/6591; H01R 13/6594; H01R 13/6595; H01R 13/6597; H01R 13/66; H01R 13/6658; H01R 24/00; H01R 24/60; H01R 24/62; H01R 24/64; H01R 12/51; H01R 12/52; H01R 12/55; H01R 12/57; H01R 12/58; H01R 12/592; H01R 12/61; H01R 12/616; H01R 12/63; H01R 12/70; H01R 12/7005; H01R 12/7076; H01R 12/71; H01R 12/714; H01R 12/716; H01R

12/718; H01R 12/72; H01R 12/73; H01R 12/737; H01R 12/777; H01R 12/778; H01R 12/79; H01R 33/00; H01R 43/00; H01R 43/26; H01B 17/00; H01B 11/12  
See application file for complete search history.

(56) **References Cited**

U.S. PATENT DOCUMENTS

D371,840 S *	7/1996	Leight .....	D24/106
D499,162 S *	11/2004	Wernick .....	D21/812
D541,412 S *	4/2007	Benner .....	D24/106
D544,444 S *	6/2007	Yamada .....	A61F 11/08 D13/147

(Continued)

*Primary Examiner* — Rosemary K Tarcza  
*Assistant Examiner* — Seth David Kumpf  
(74) *Attorney, Agent, or Firm* — Preston Smirman;  
Smirman IP Law, PLLC

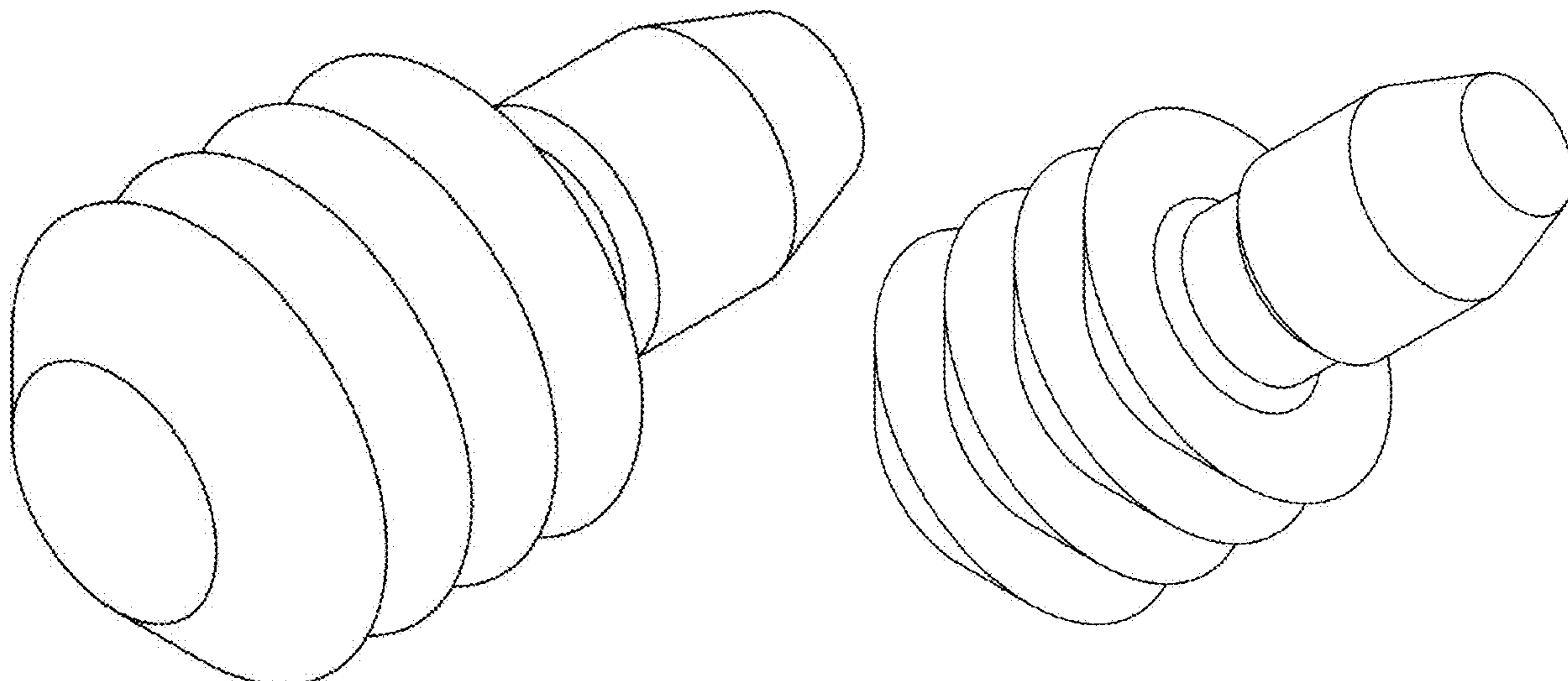
(57) **CLAIM**

The ornamental design for a connector, as shown and described.

**DESCRIPTION**

FIG. 1 is a first perspective view of my design for a connector;  
FIG. 2 is a second perspective view of my design for a connector;  
FIG. 3 is a third perspective view of my design for a connector;  
FIG. 4 is a fourth perspective view of my design for a connector;  
FIG. 5 is a bottom plan view of my design for a connector;  
FIG. 6 is a top plan view of my design for a connector; and,  
FIG. 7 is a left side elevational view of my design for a connector, wherein the right side elevational view is a mirror image of the left side elevational view.

**1 Claim, 7 Drawing Sheets**



(56)

**References Cited**

U.S. PATENT DOCUMENTS

D624,999 S	*	10/2010	Turdjian	.....	A61F 11/08	
						D24/106
D645,022 S	*	9/2011	Lee	.....	D14/205	
D703,148 S	*	4/2014	Lee	.....	D13/154	
D703,149 S	*	4/2014	Lee	.....	D13/154	
D717,938 S	*	11/2014	Duncan	.....	A61F 11/08	
						D24/106
D775,075 S	*	12/2016	Aishima	.....	A61F 11/08	
						D13/133

\* cited by examiner

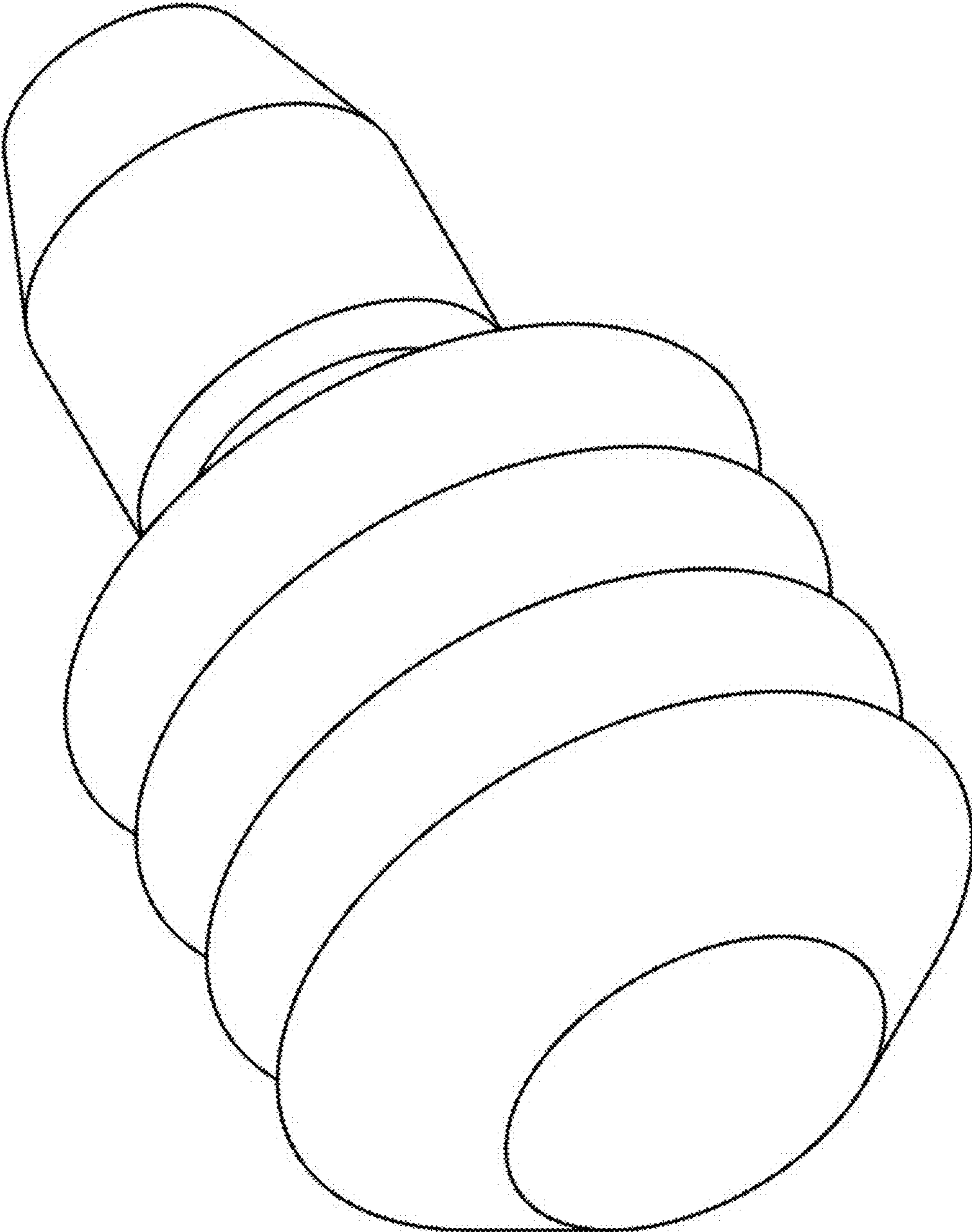


FIG. 1

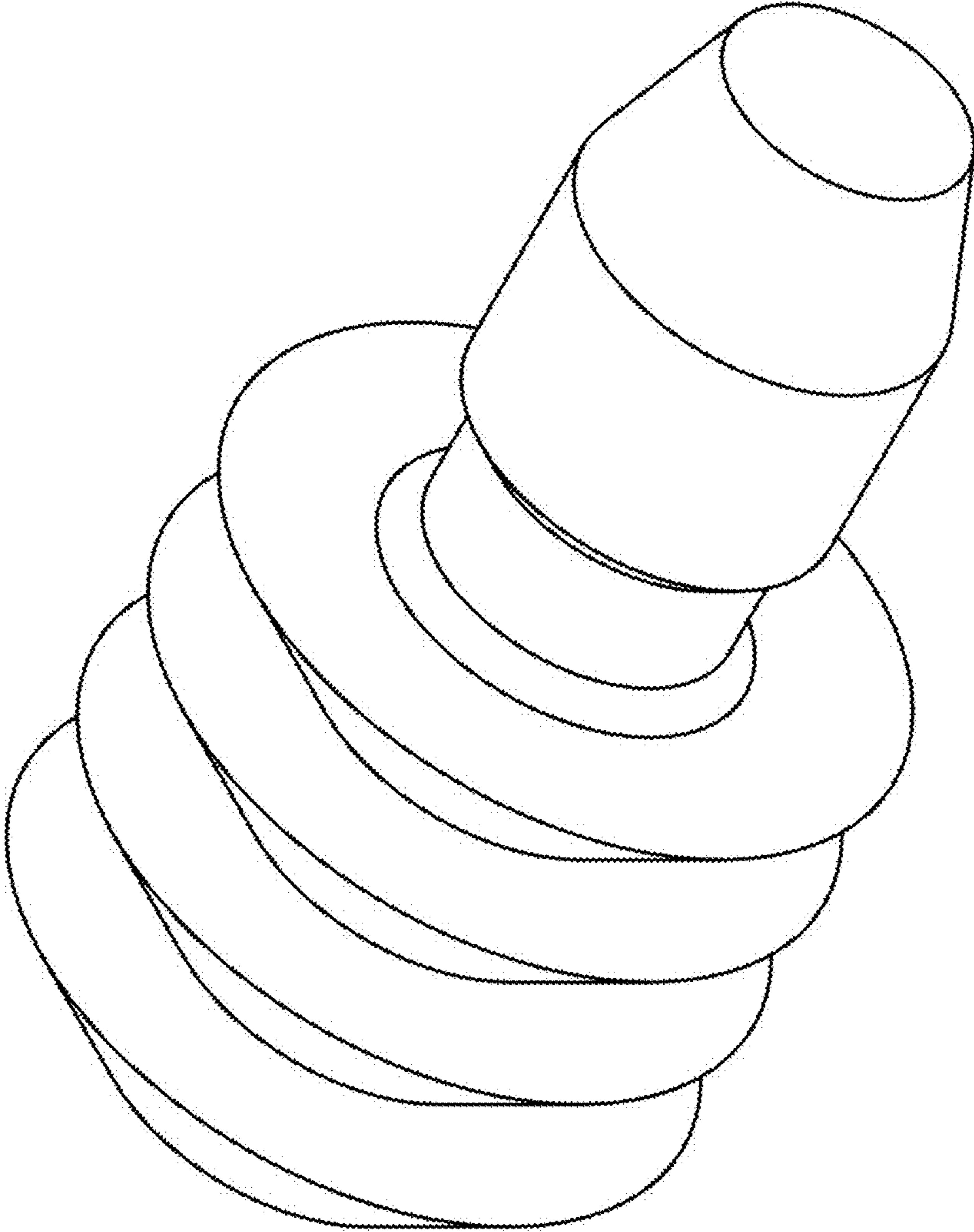


FIG. 2

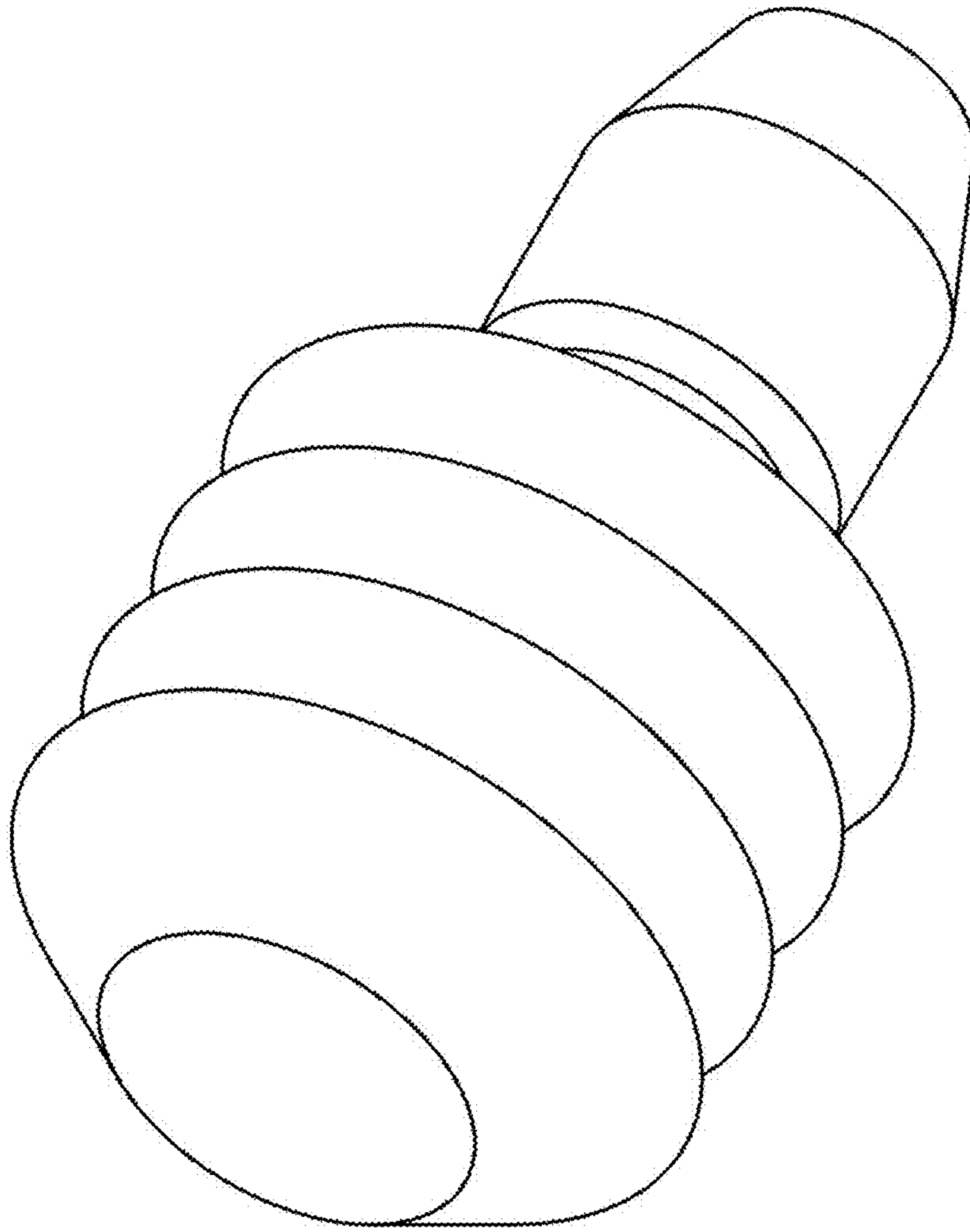


FIG. 3

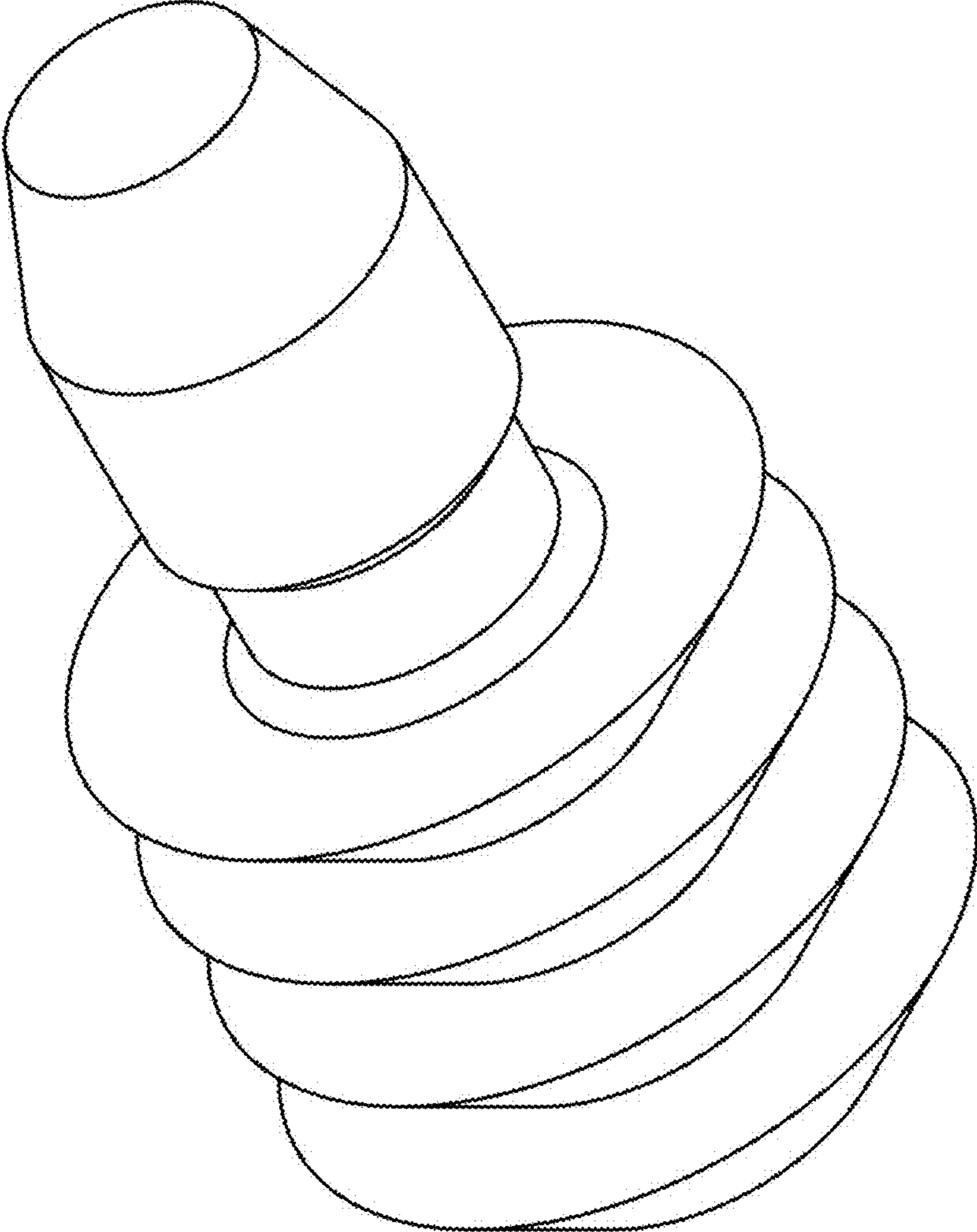


FIG. 4

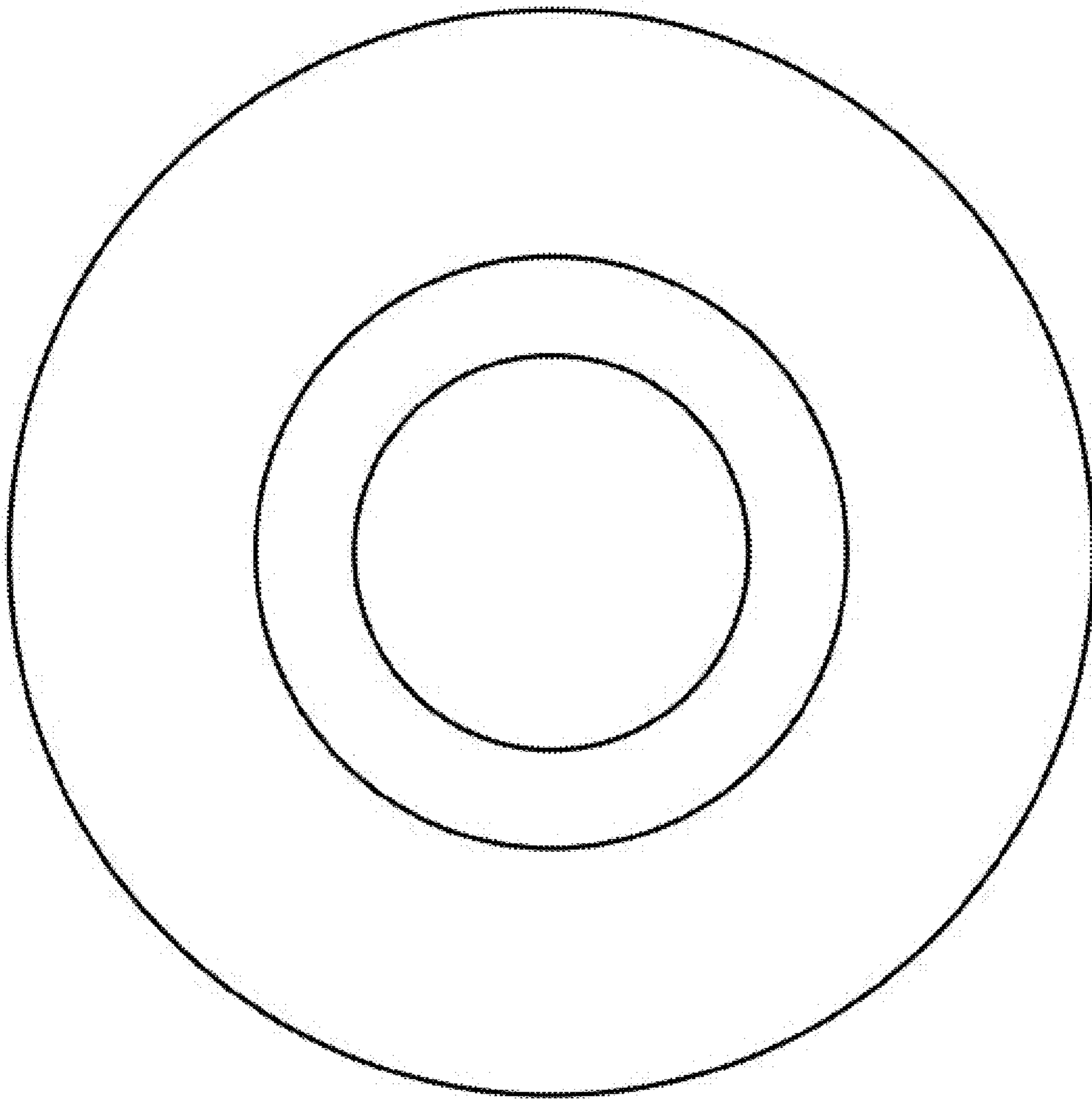


FIG. 5

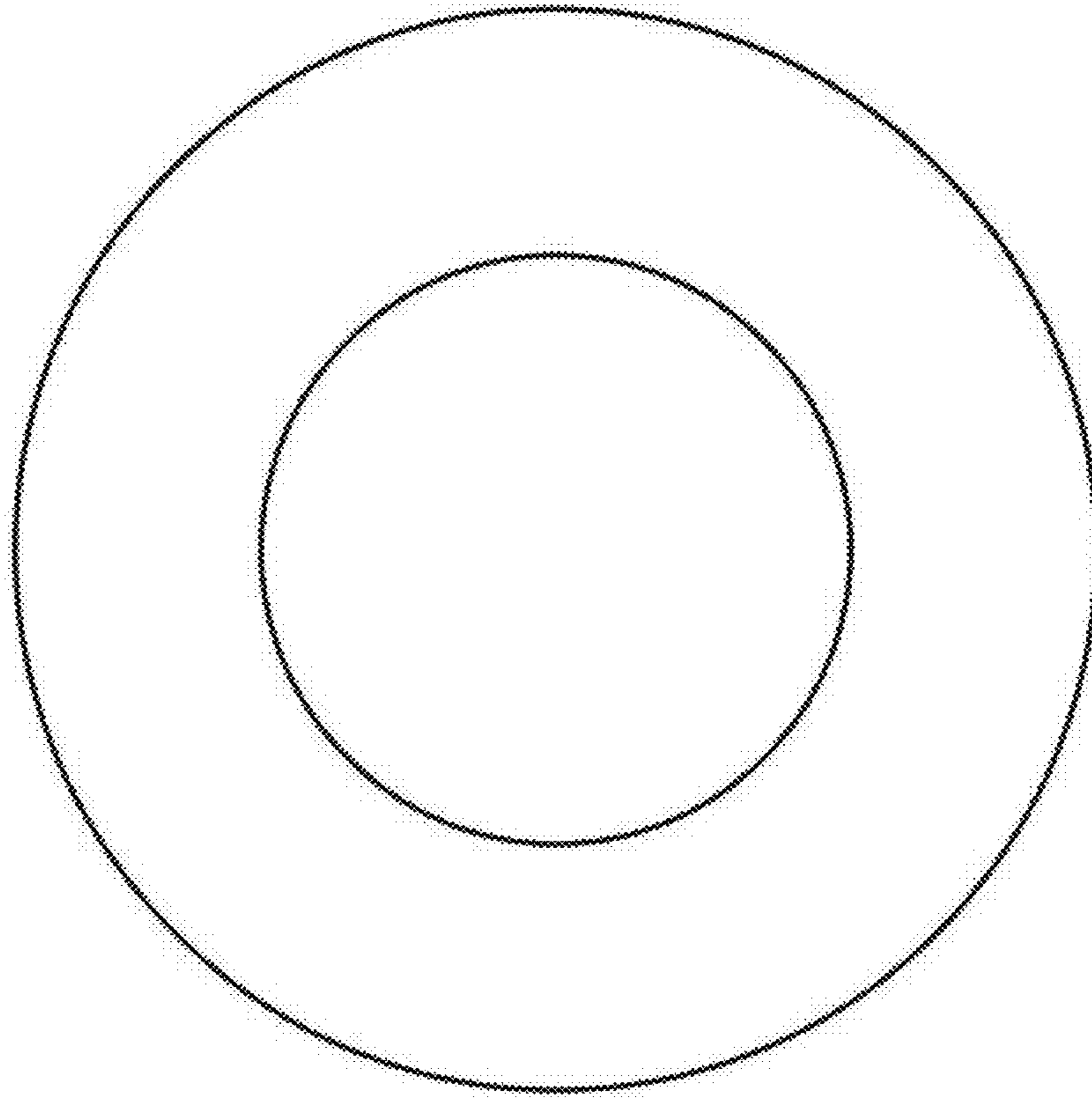


FIG. 6



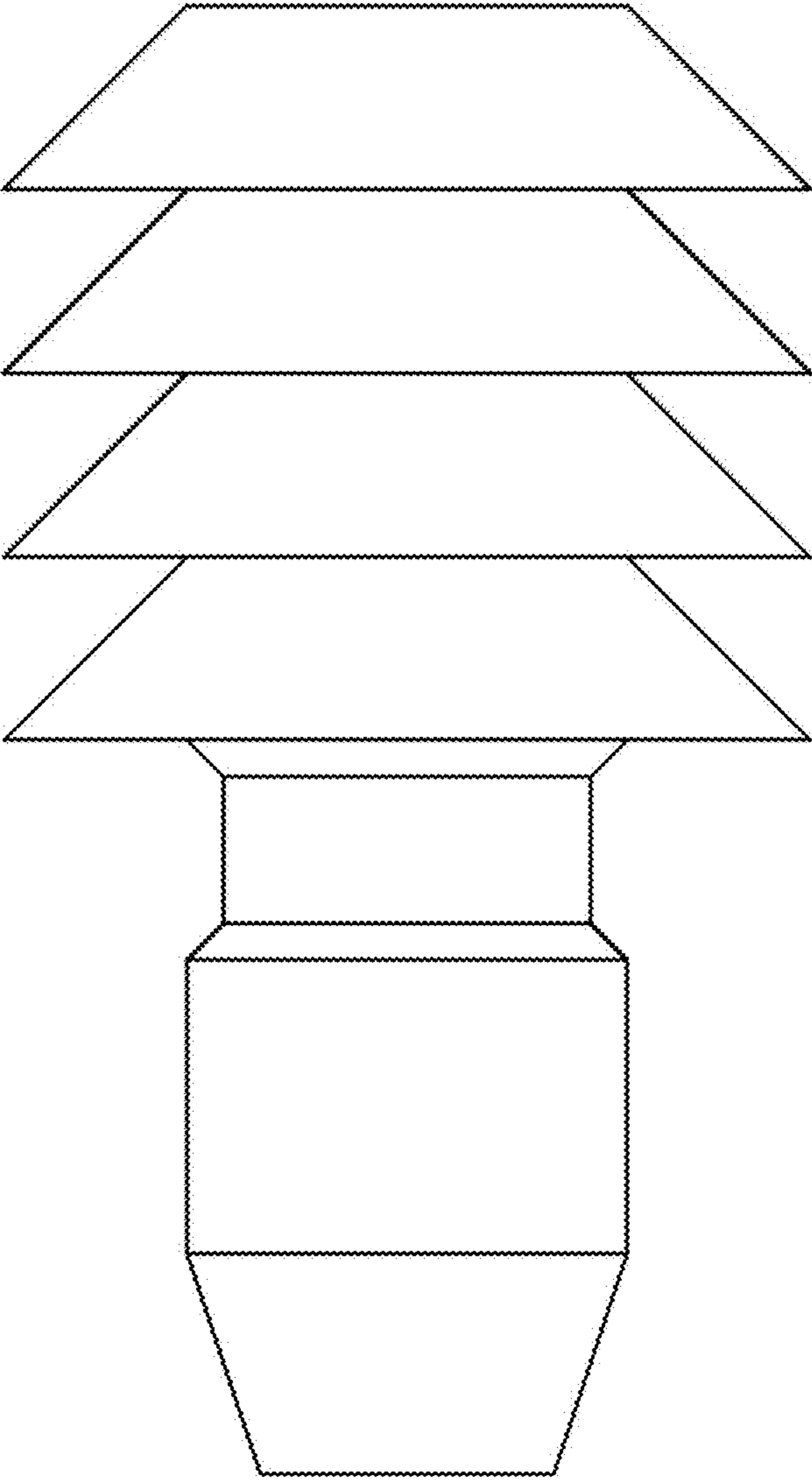


FIG. 7